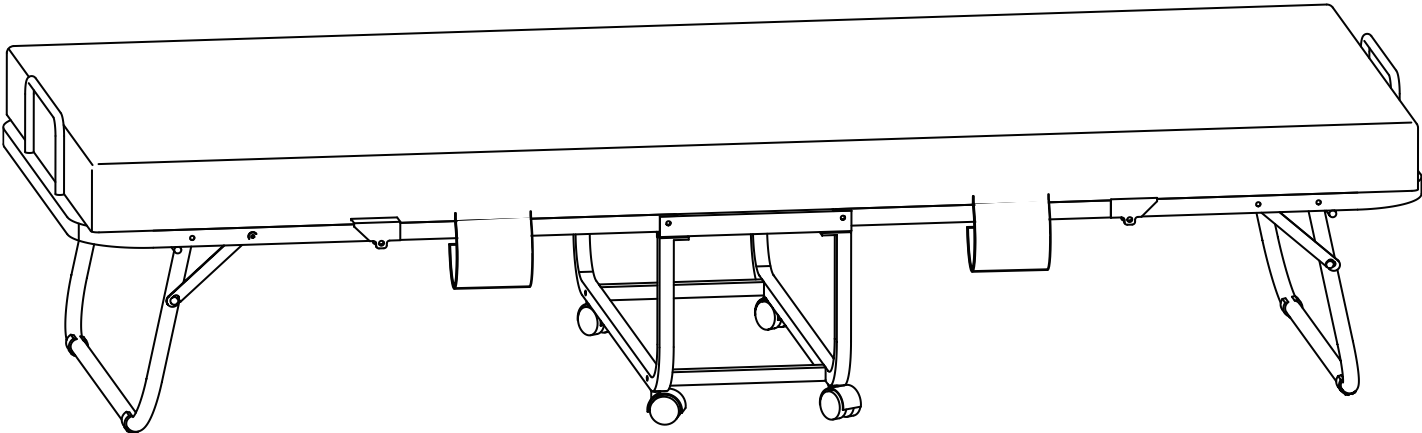
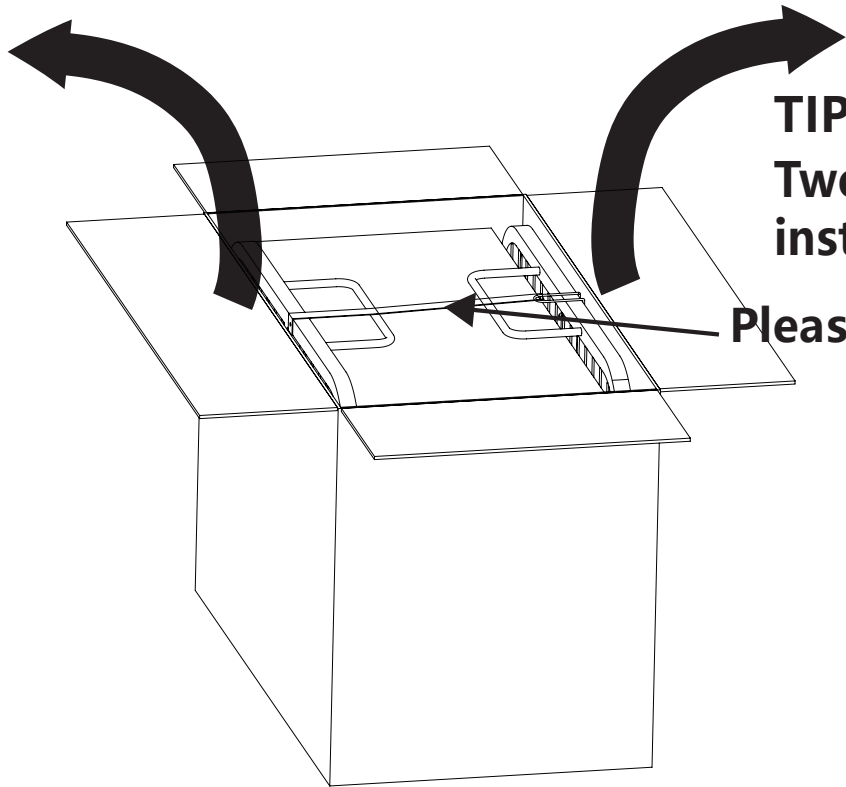


# ASSEMBLY INSTRUCTION

Folding Bed

SKU:H12BN002

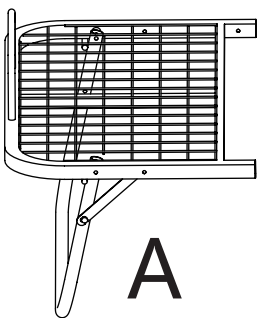
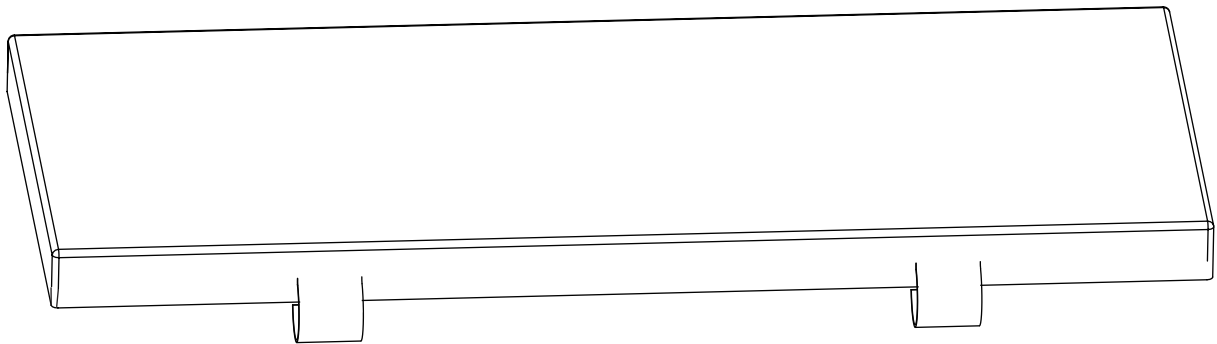




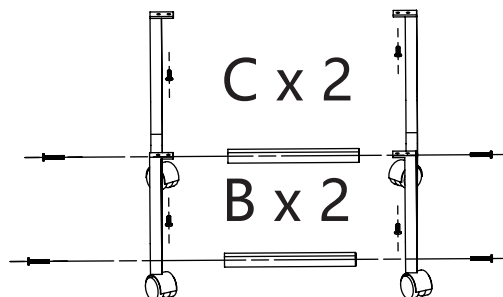
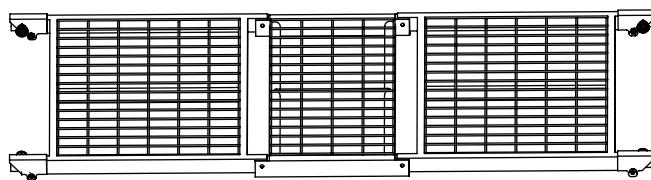
**TIP :**

**Two people are required to install the folding bed .**

**Please do NOT pull the strap .**

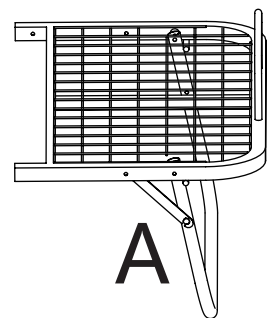


**A**



**C x 2**

**B x 2**

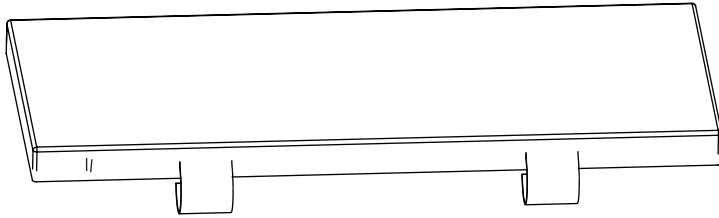


**A**

# Part List

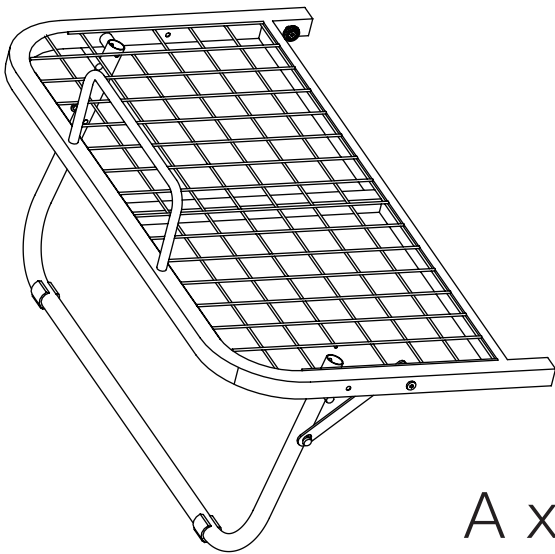
## Mattress

Open packing bag, leave the mattress to expand. Sometimes it only takes a few hours, but other times it can take up to 48 hours to fully expand.

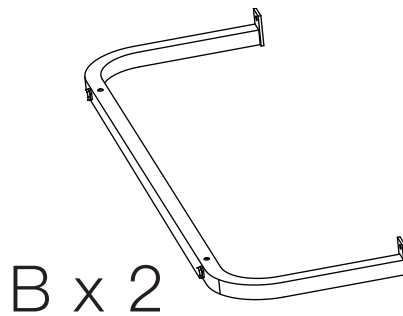


## Mattress recovery schedule

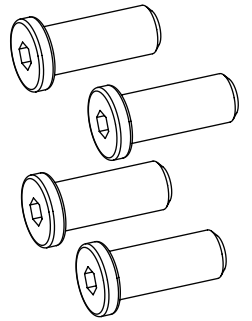
Recovery time	Recovery ratio
1 hour	90 %
3 hours	94 %
24 hours	97 %
48 hours	98 %



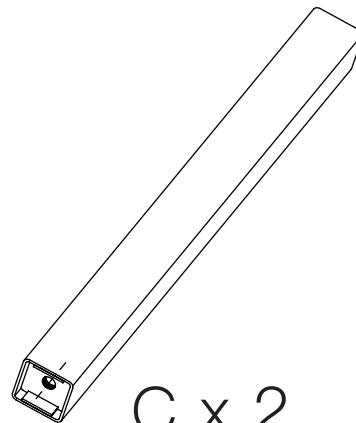
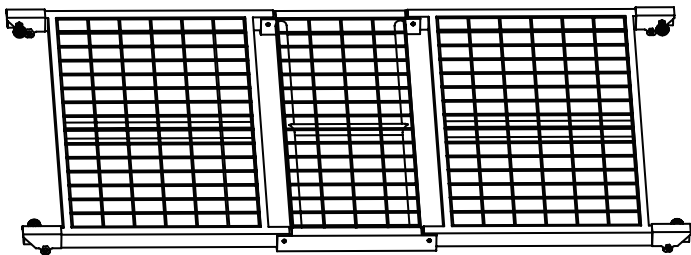
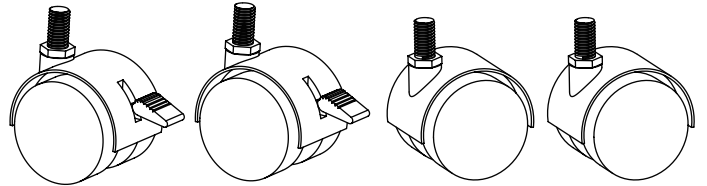
A x 2



B x 2

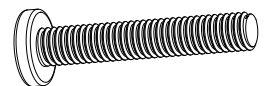


### Wheels



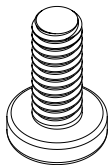
C x 2

① x 4



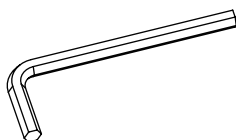
M6 x 35

② x 4

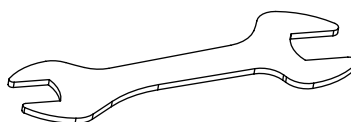


M6 x 15

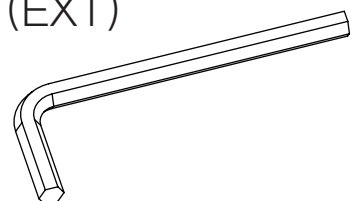
③



4mm Allen Key

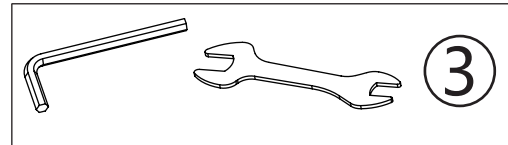
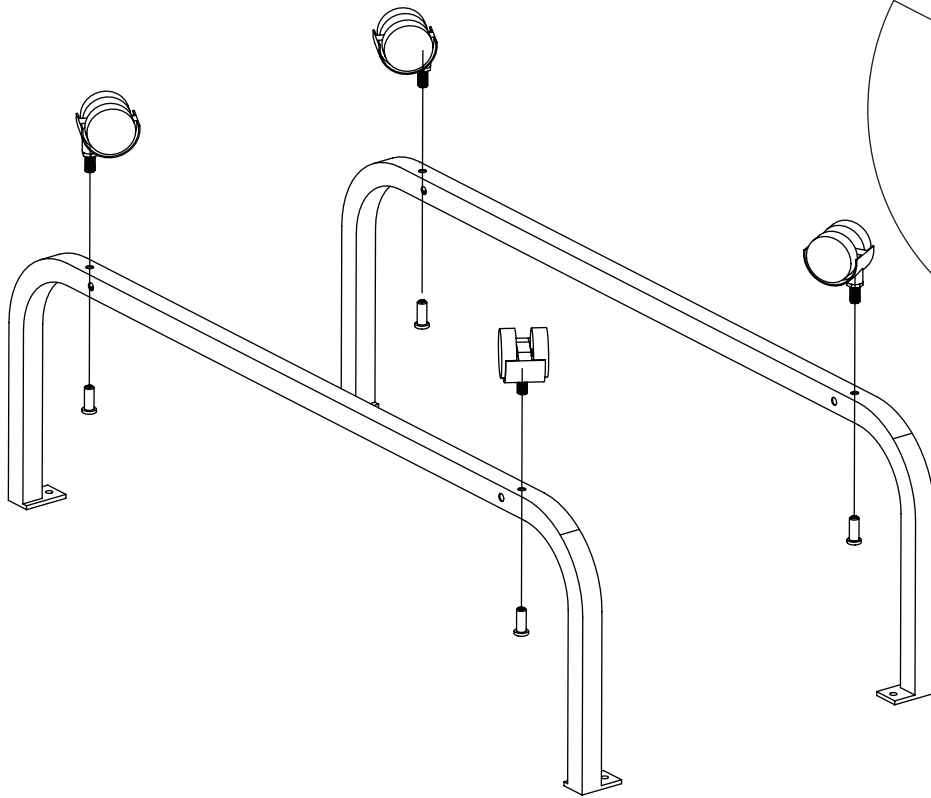


(EXT)



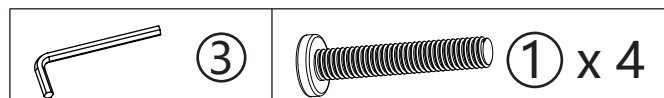
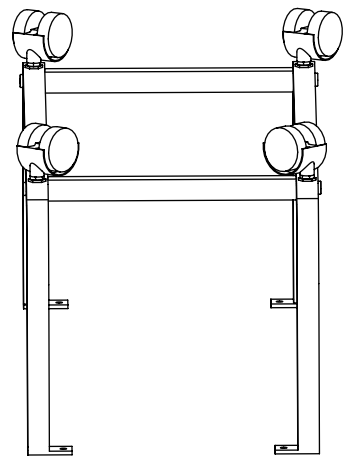
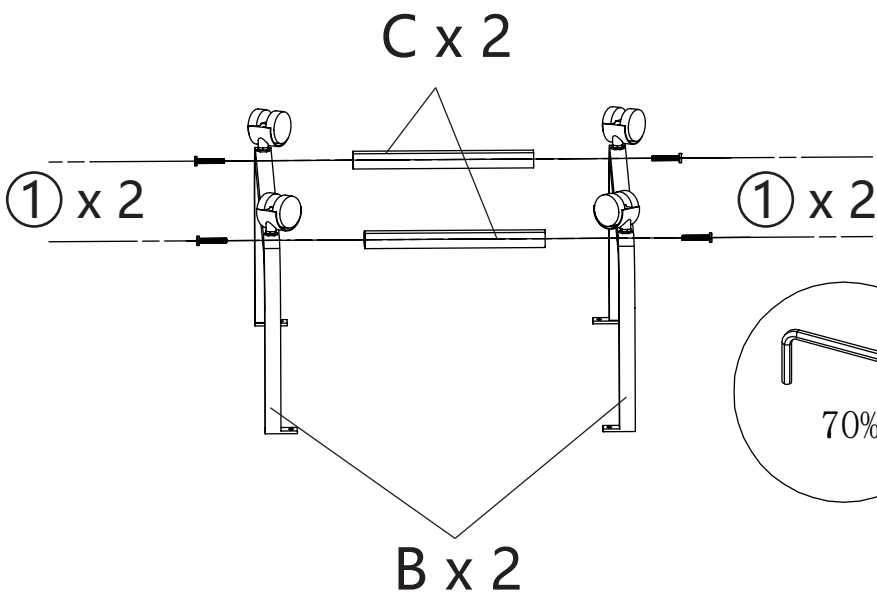
5mm Allen Key  
(Used for tightening the wheels and special screws.)

# Step 1

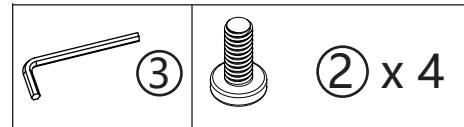
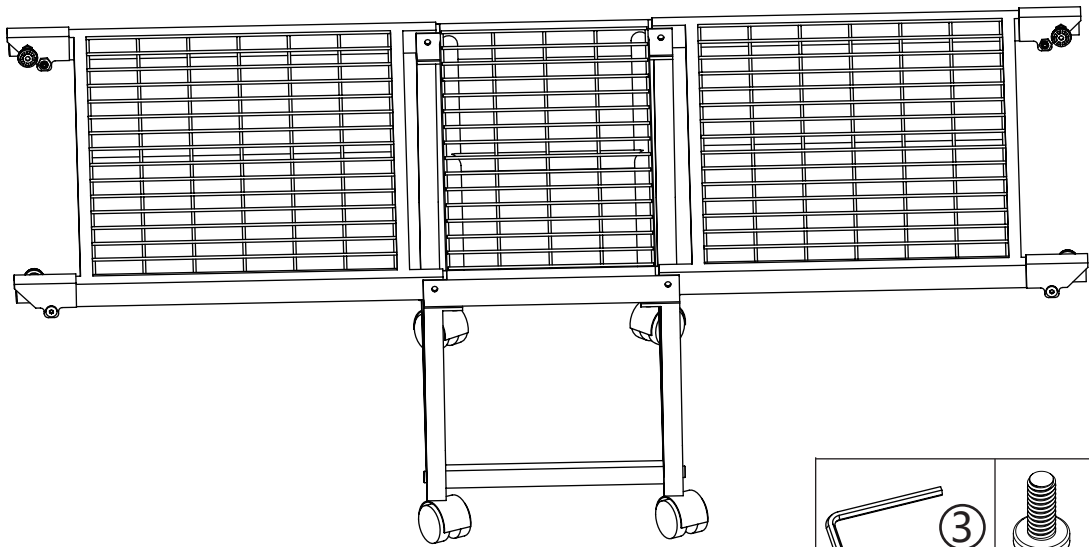
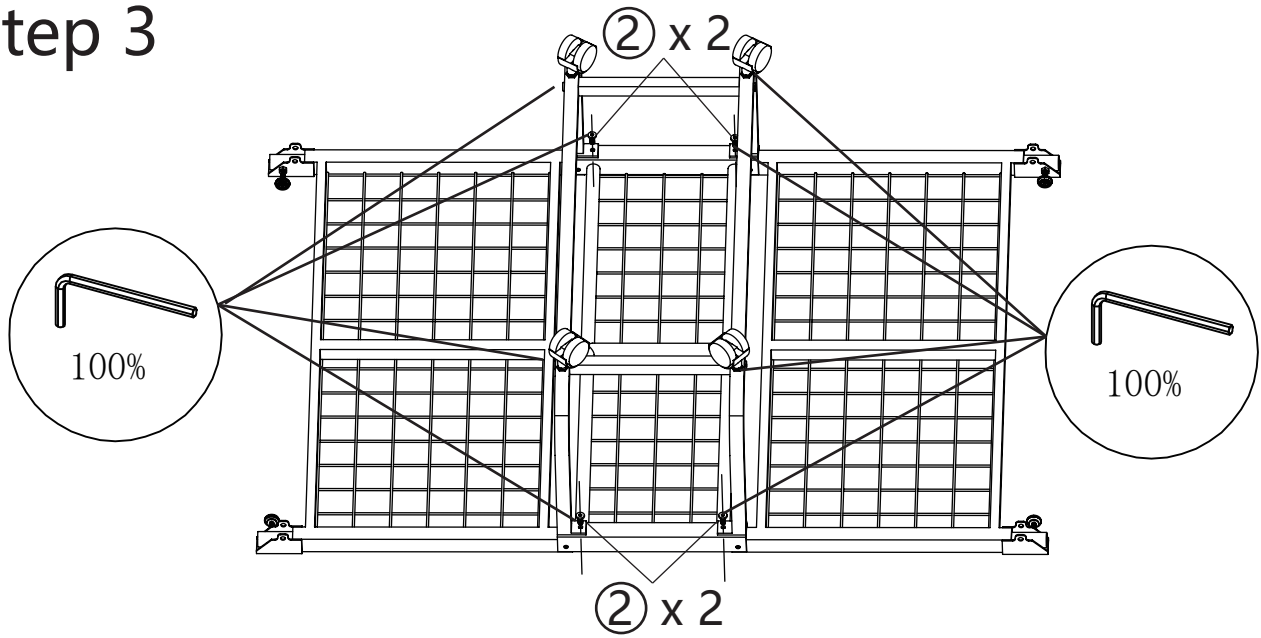


# Step 2

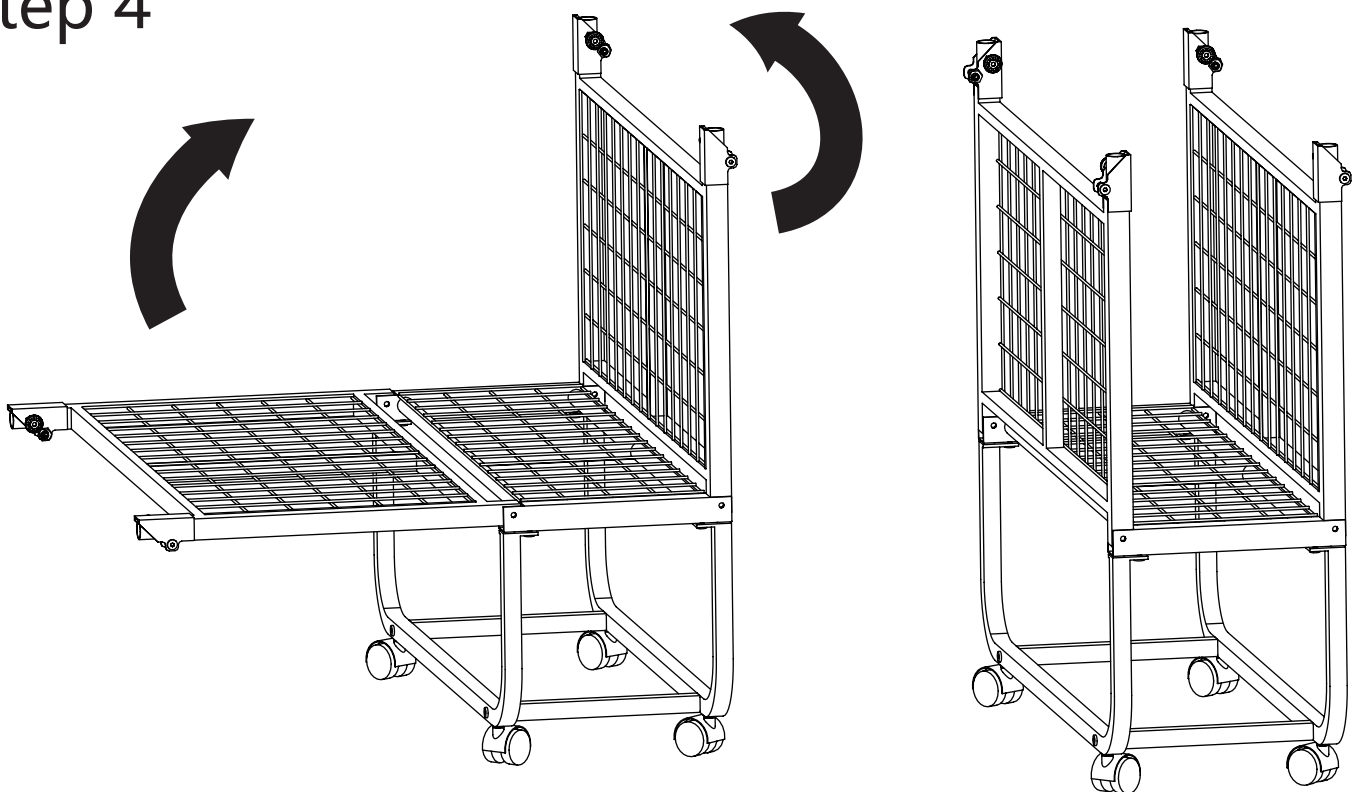
Note: Please don't tighten the screws in Step 1, after aligning all of the holes on the frame(Step 2), then tighten all the screws.



# Step 3



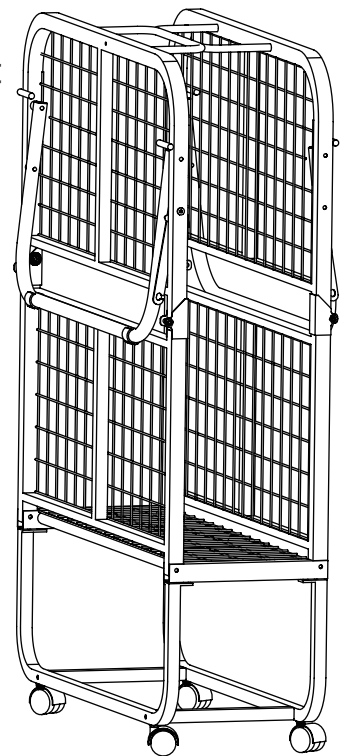
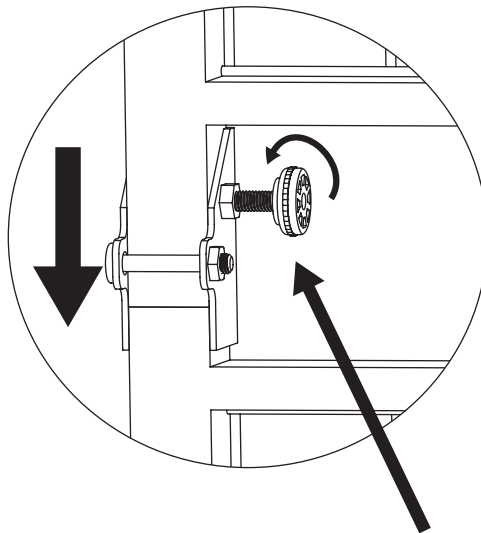
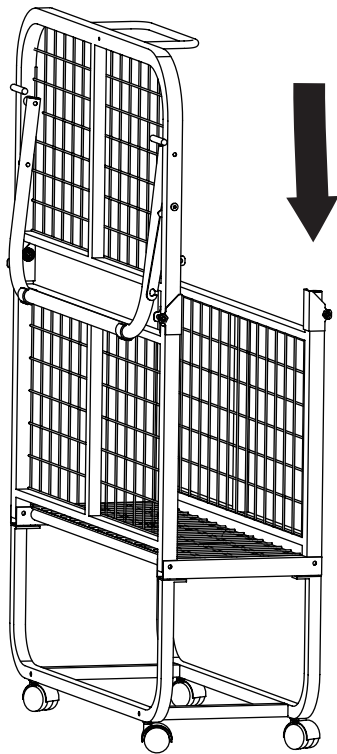
# Step 4



# Step 5

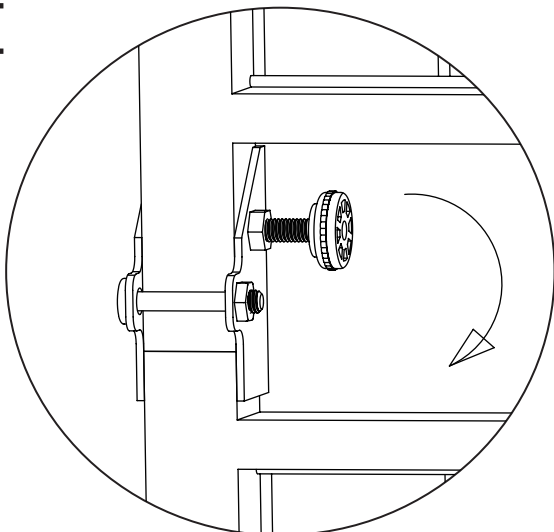
A

When installing part A , please insert it as far as it can , and tighten the screws as below enlarged image .

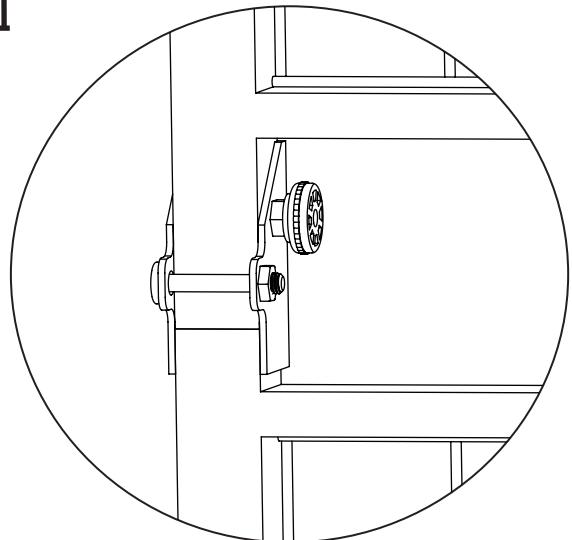


If part A can't be inserted successfully, please loosen the bolt as shown in the picture.

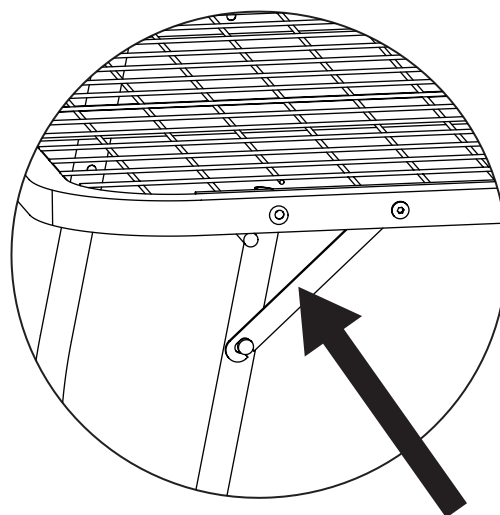
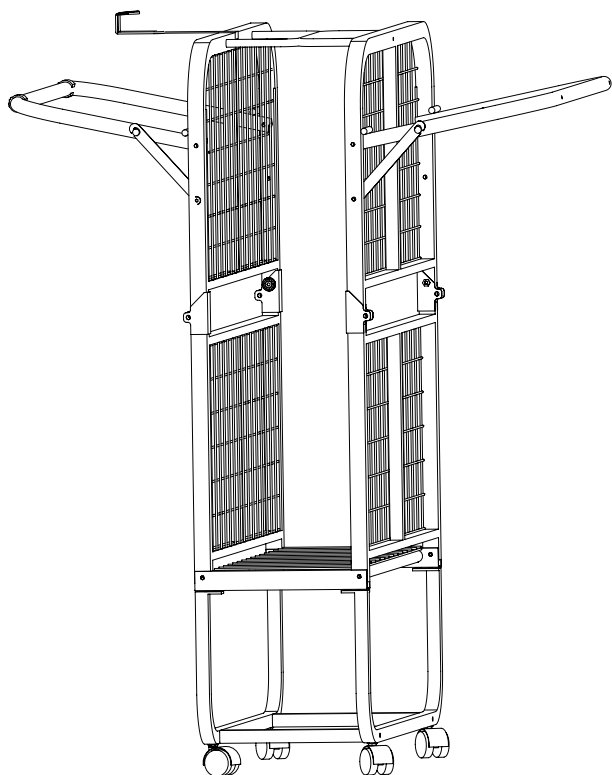
I



II



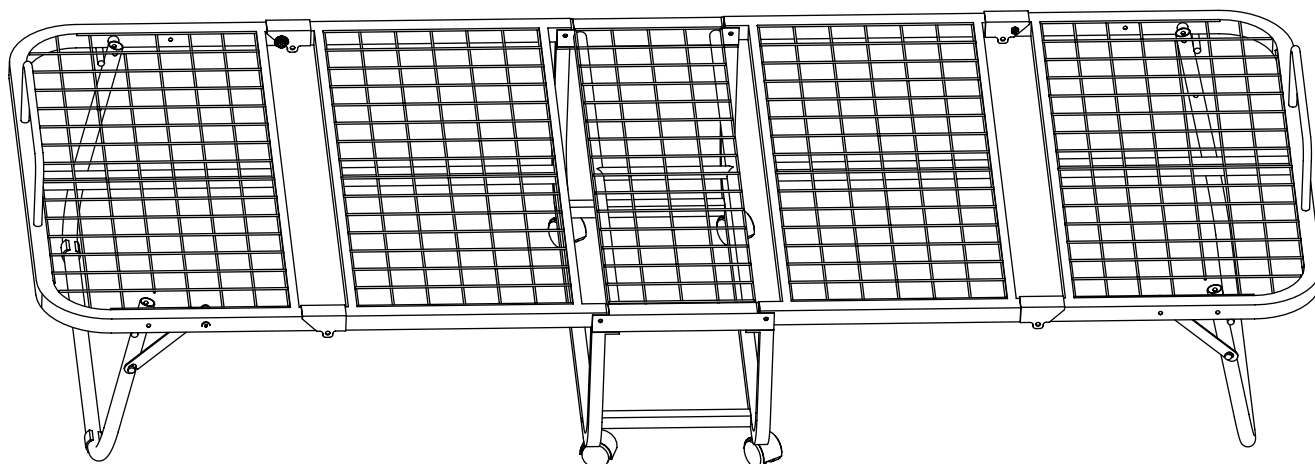
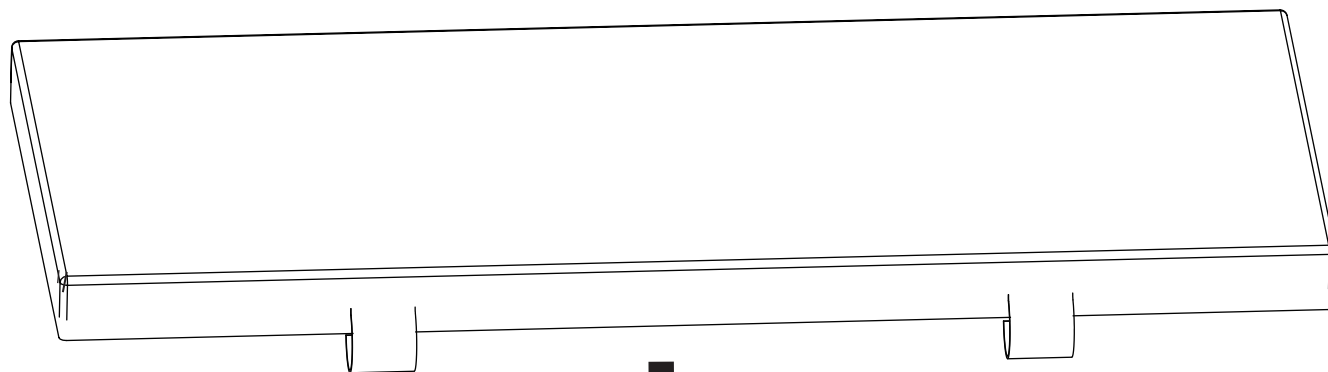
## Step 6



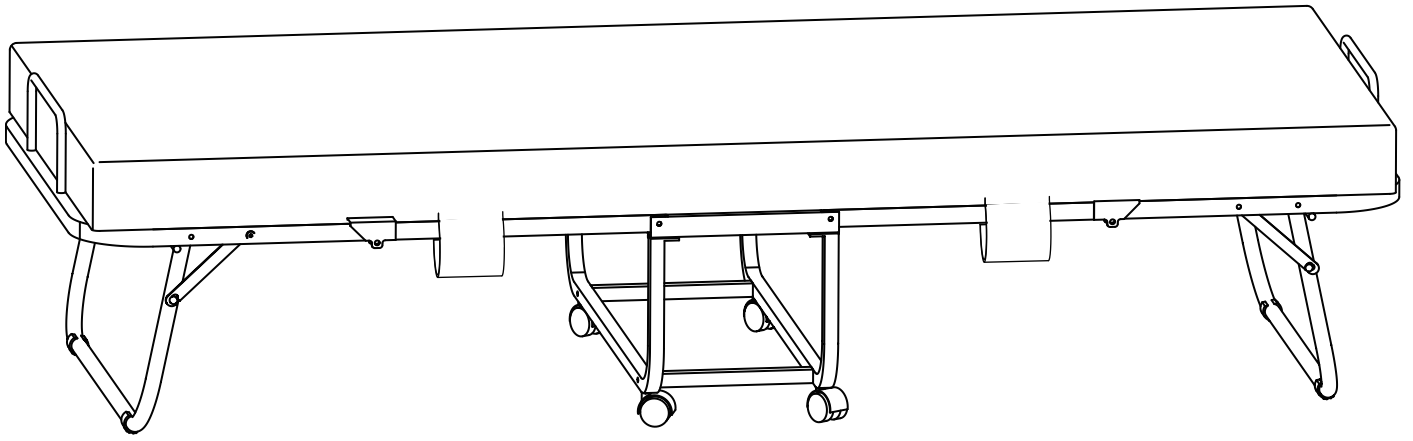
⚠ CAUTION

This step is **necessary** .  
Otherwise it will cause component  
deformation .

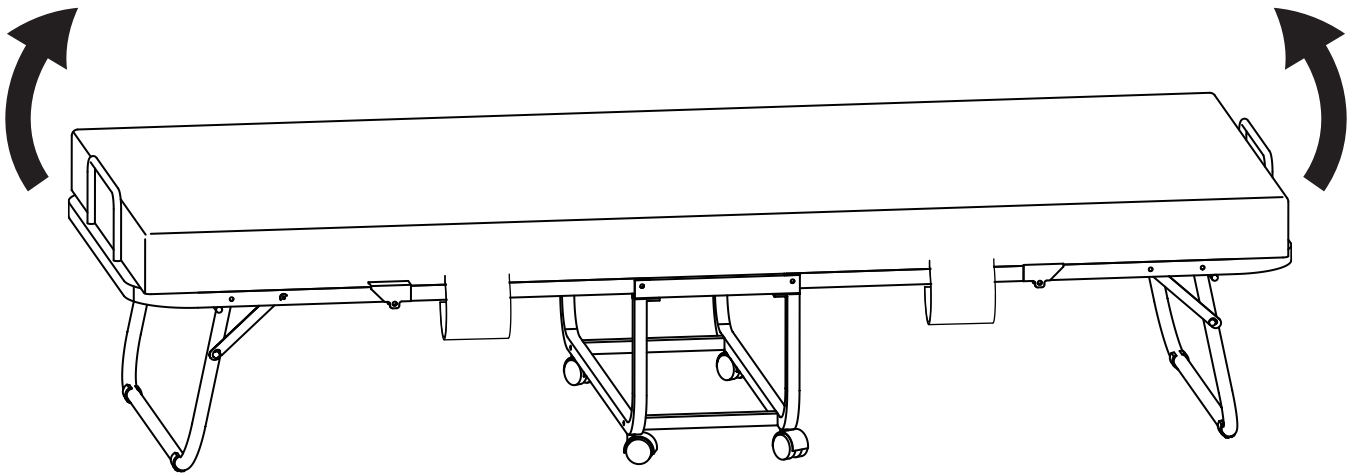
## Step 7



## Step 8



## Step 9



When moving the folding bed ,  
please do NOT pull the strap .

