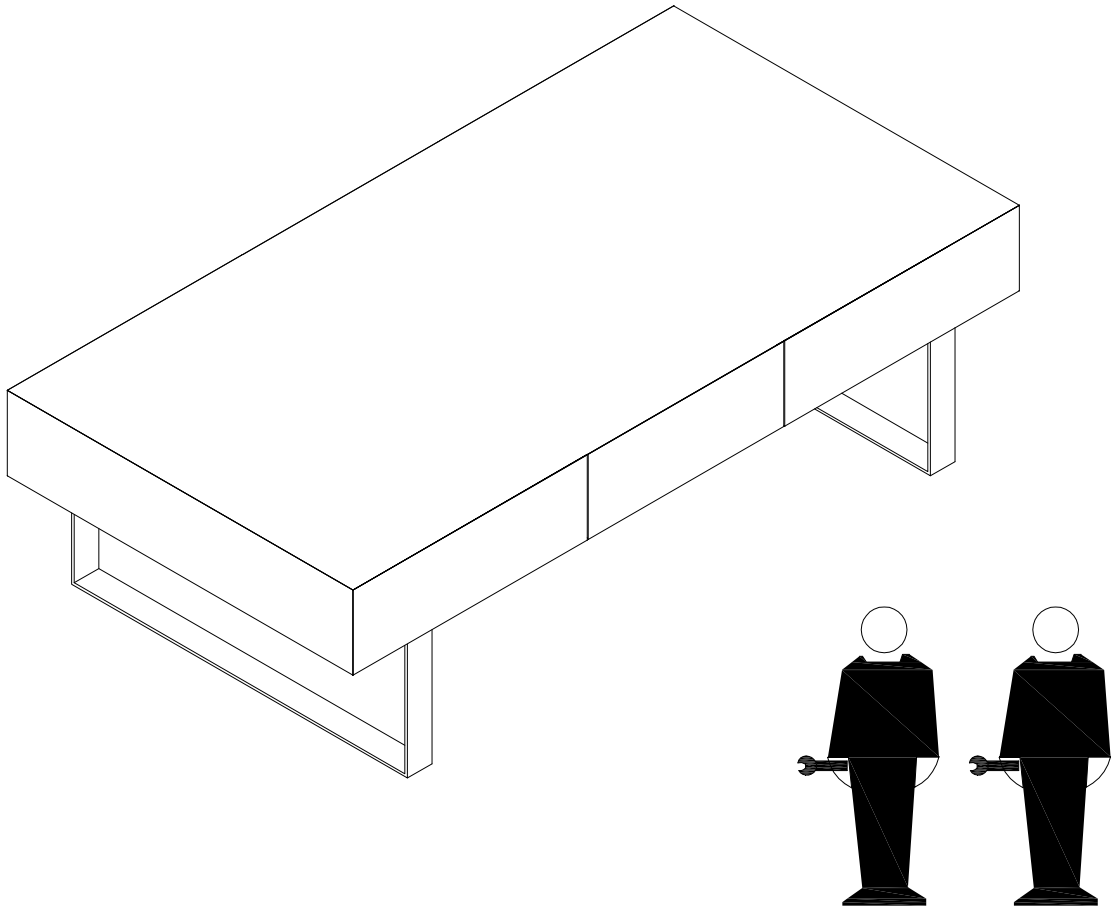


# ASSEMBLY INSTRUCTION

Thank you for purchasing the quality product. Be sure to check all packing material carefully for small parts which may have come loose inside the carton during shipment. Separate, identify and count all parts and metal hardware. Compare with all parts list to be sure all parts are present. If any part(s) are missing or damaged, please contact your local furniture dealer. For efficient and speedy service, please indicate the model number and code letter of part(s) needed.

**\*\*\*Do not fully tighten screws until fully assembled\*\*\***



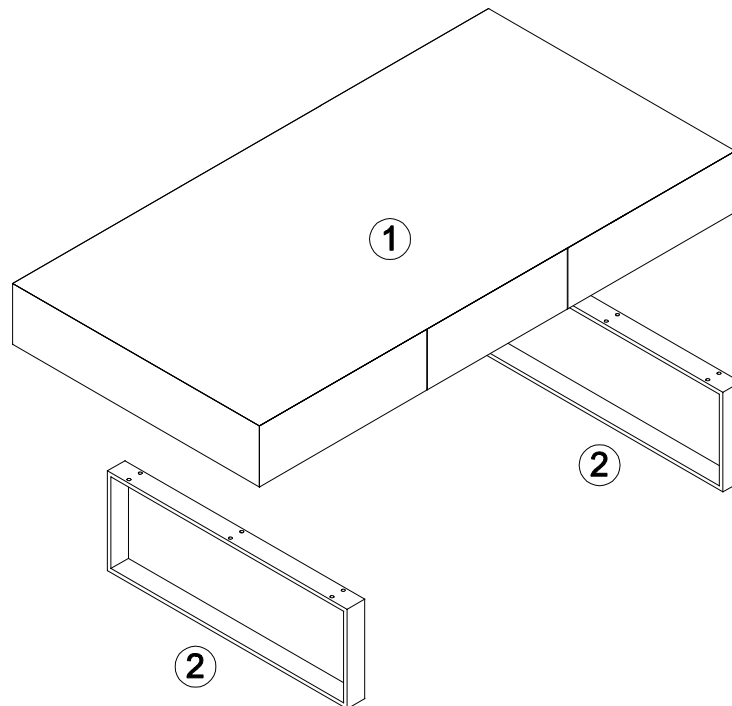
## Attention:

\*\*\*Some number parts listed on the instruction sheet may not be in parts bag as they may already be assembled. Carefully check parts and packing materials prior to ordering replacements.




# General Assembly Guidelines

- I. Ensure that all parts and hardware are available before beginning assembly.
- II. Follow each step carefully to ensure the proper assembly of this product.
- III. Two people are recommended for ease in the assembly of this product.
- IV. Do not step on.
- V. When the surface of the item is dirty, please gently wipe it with alcohol and water. Do not use substances such as thinner or xylene that are corrosive for cleaning.

## COMPONENT PARTS




## HARDWARE LIST

A		Ø6x20mm	Bolt	12 pcs
B		4mm	Allen Key	1 pcs
C			Non-Slip Felt	4 pcs


# Step 1

A x 12

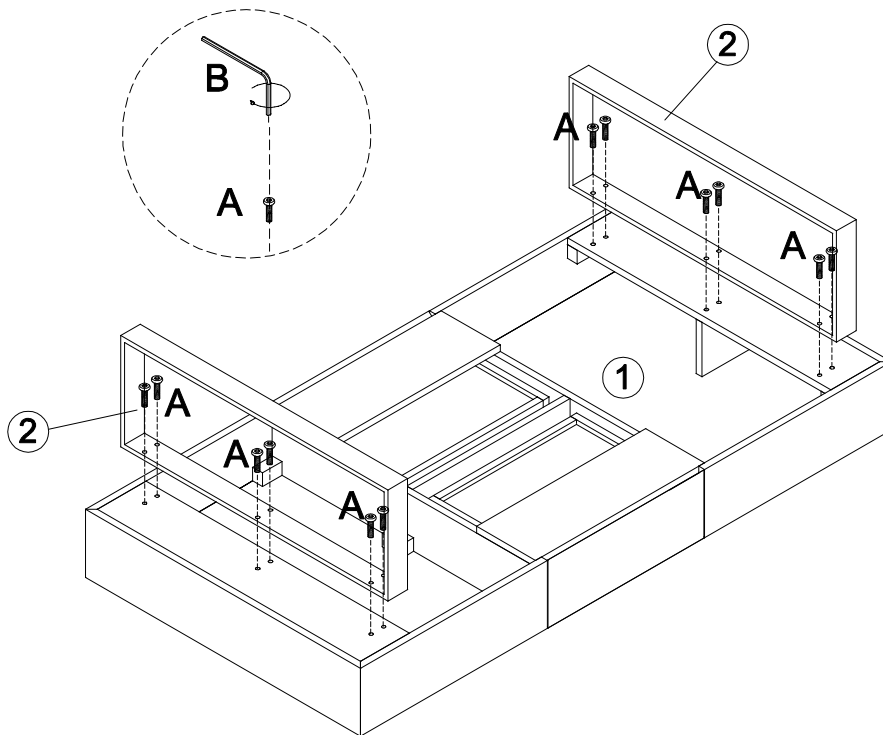


Ø6X20mm

B x 1

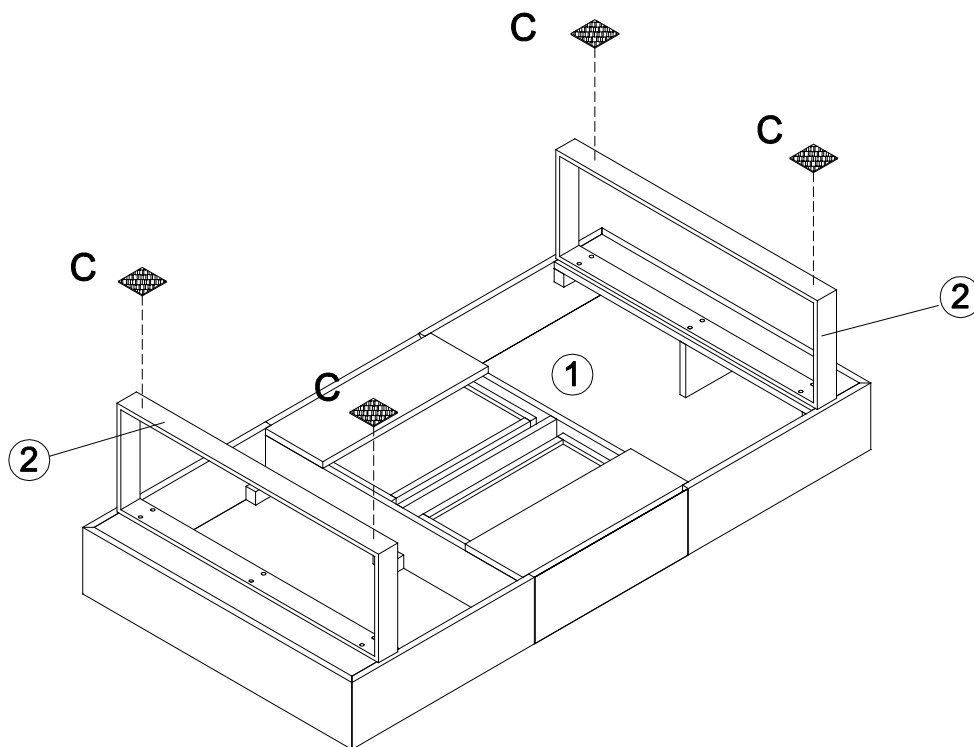
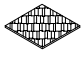


4mm

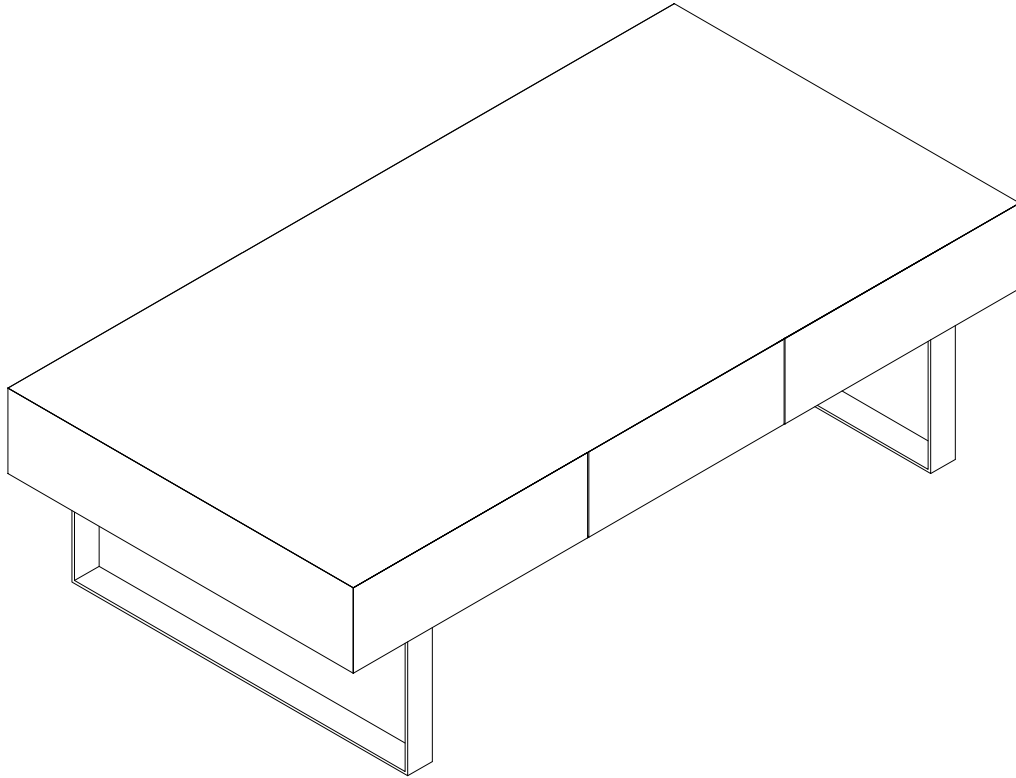


# Step 2

C x 4



## Step 3



**Final Assembly**