

# RVH8215

TOPMOUNT WORKSTATION SINK

**RUVATI**<sup>®</sup>  
SPECIFICATION SHEET

## MATERIAL

- True 16 Gauge Thickness
- Premium T304 Grade Stainless Steel
- Nano-PVD colored finish: easy to clean and long lasting

## FEATURES

- Heavy duty sound guard padding and undercoating
- Slanted bottom with elegant drain grooves for easy draining
- Single-Tier Ledge for Accessories

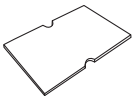


## COLOR OPTIONS

**BL:** Gunmetal Black

**GG:** Matte Gold

## IN THE BOX



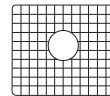
Cutting Board  
[RVA1215]



Basket Strainer  
[RVA1022BL/GG]



Mounting Clips  
[RVA11048]



Rinse Grid  
[RVA68215]



Cut-out  
Template

## NOMINAL DIMENSIONS

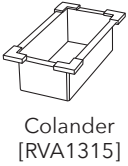
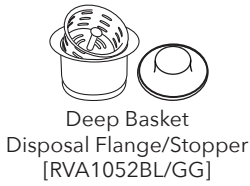
- Exterior:** 15" (wide) x 15" (front-to-back)
- Interior Bowl:** 11½" (wide) x 11" (front-to-back)
- Bowl Depth:** 9"
- Minimum Cabinet Size:** 18" wide
- Drain Hole Size:** 3½"

- Installation Type:** Topmount
- Inside Corners:** Rounded
- Drain Location:** Center

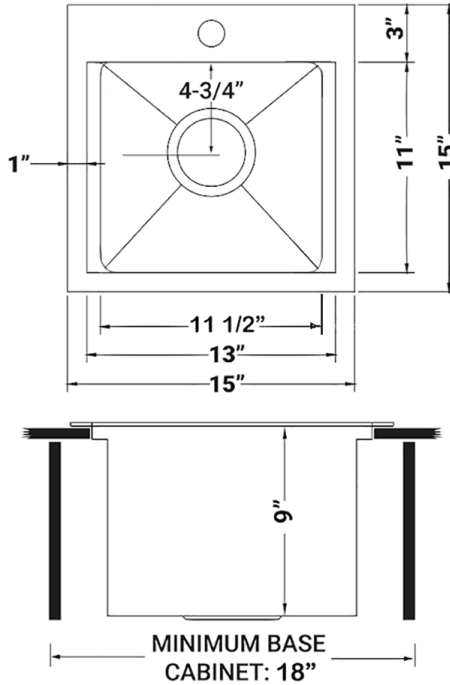
**RUVATI USA**  
www.ruvati.com

Phone: 1.855.478.8284  
Email: support@ruvati.com

# OPTIONAL ACCESSORIES (SOLD SEPARATELY)



## DIMENSIONS



cUPC certified by IAPMO to meet US and Canada plumbing standards.



SCAN TO REGISTER YOUR WARRANTY

or visit [ruvati.com/register](http://ruvati.com/register)

**RUVATI USA**  
[www.ruvati.com](http://www.ruvati.com)

Phone: 1.855.478.8284  
Email: [support@ruvati.com](mailto:support@ruvati.com)