

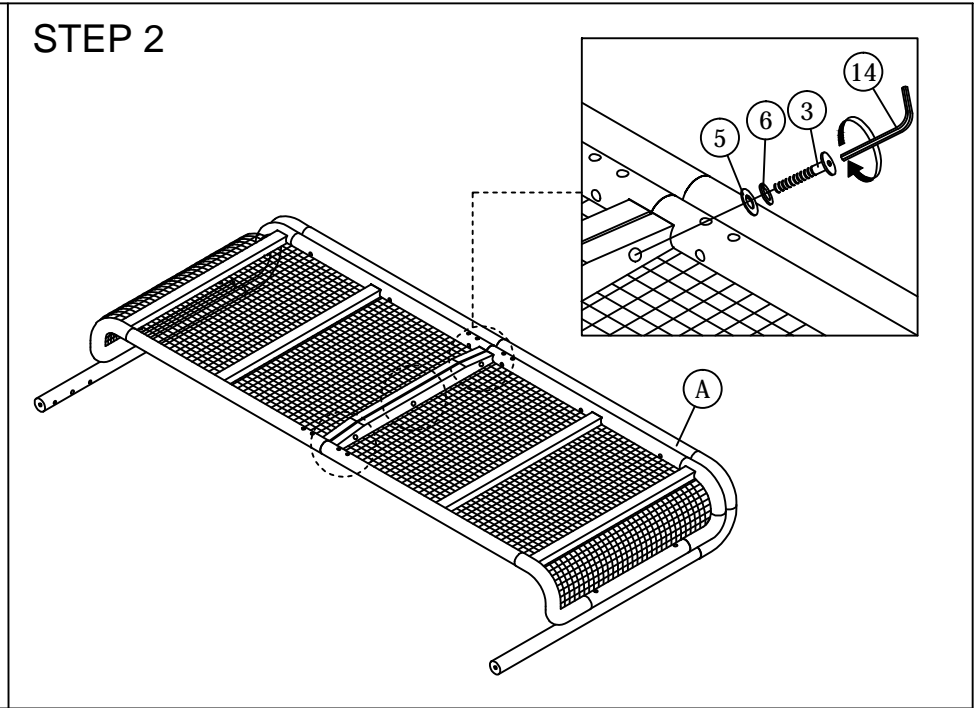
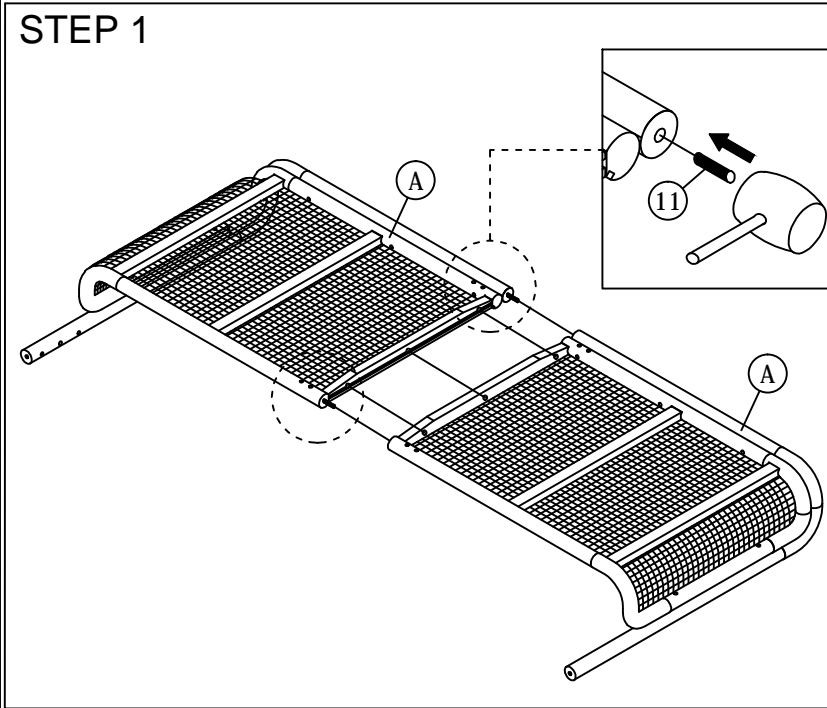
Read this instruction carefully. See hardware and furniture part list for guidance. Be sure all parts are complete, before you assemble. Place all wooden furniture parts on a clean and flat soft surface to prevent from being scratched. Follow the figure to start assembling.

CAUTIONS : 1. Do not FULLY - TIGHTEN the nut or nut bolt until all nut or bolt is ready assembled.
 2. Do not OVER - TIGHTEN the nut or bolt to avoid causing damages to the thread.
 3. Keep all hardware parts out of reach of children.

NOTE : THE LIST AND QUANTITY SHOWN ARE FOR 1 UNIT ASSEMBLY.
 Tool needed : Screwdriver (not provider).

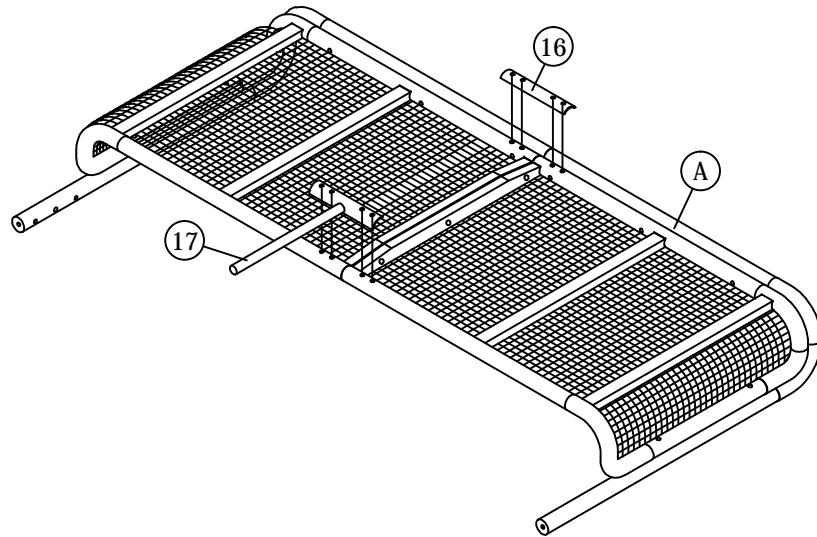
PART LIST			
ITEM	DESCRIPTION	BOX	QTY
A	HEADBOARD	1	2 PCS
B	FOOTBOARD	2	1 PC
C	SIDE RAIL	2	2 PCS
D	CENTER RAIL	2	1 PC
E	CENTER RAIL SUPPORT	2	2 PCS
F	CENTER SUPPORT LEG	2	3 PCS
G	BED SLAT (1)	2	1 PC
H	BED SLAT (2)	2	24 PCS
I	BED LEG	2	4 PCS

HARDWARE LIST (BOX : 2)		
ITEM	DESCRIPTION	QTY
1	JCBC BOLT M6 x 20mm	12 PCS
2	JCBC BOLT M6 x 35mm	1 PC
3	JCBC BOLT M6 x 50mm	3 PCS
4	JCBC BOLT M6 x 60mm	4 PCS
5	M6 FLAT WASHER	7 PCS
6	M6 SPRING WASHER	19 PCS
7	WOOD SCREW M3.5 X 16mm	8 PCS
8	WOOD SCREW M4 X 32mm	8 PCS
9	WOOD SCREW M4 X 38mm	2 PCS
10	WOOD SCREW M4 X 20mm	1 PC
11	WOOD DOWEL M10 x 30mm	4 PCS
12	BED SLAT SIDE FITTER	24 PCS
13	BED SLAT CENTER FITTER	12 PCS
14	M4 ALLEN KEY (BALL SHAPE)	1 PC
15	M5 ALLEN KEY (BALL SHAPE)	1 PC
16	VMB 3159 (1) METAL BRACKET	1 PC
17	VMB 3159 (2) METAL BRACKET	1 PC
18	VMB 3160 (L/R) METAL BRACKET	2 PCS

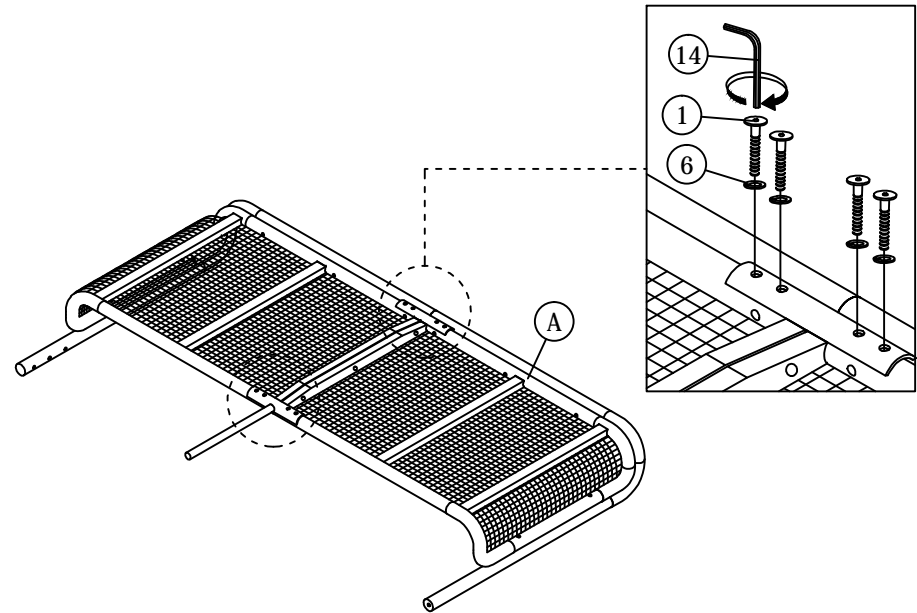


ASSEMBLY INSTRUCTIONS

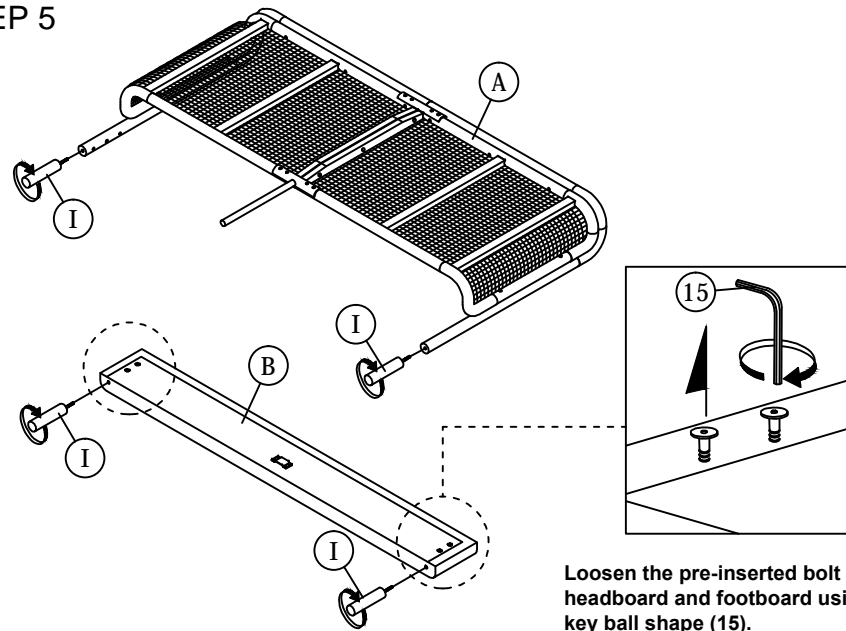
STEP 3



STEP 4

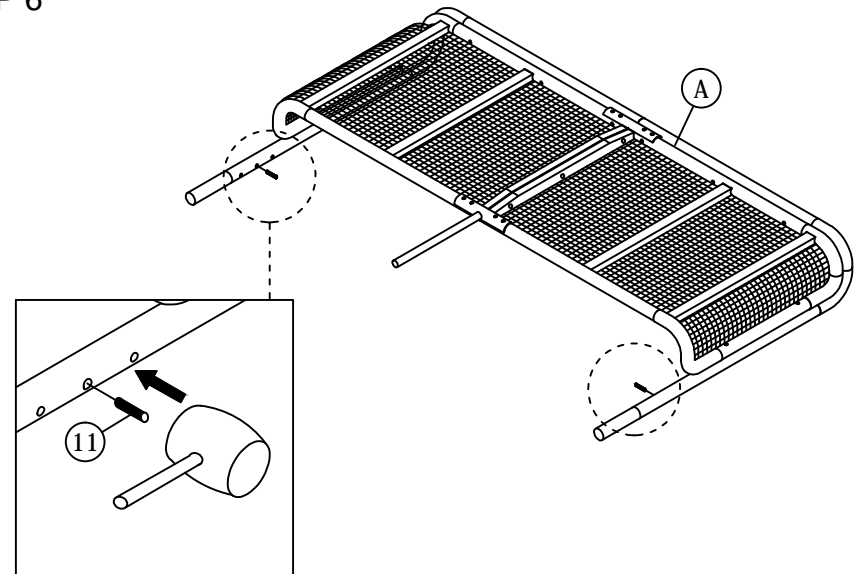


STEP 5



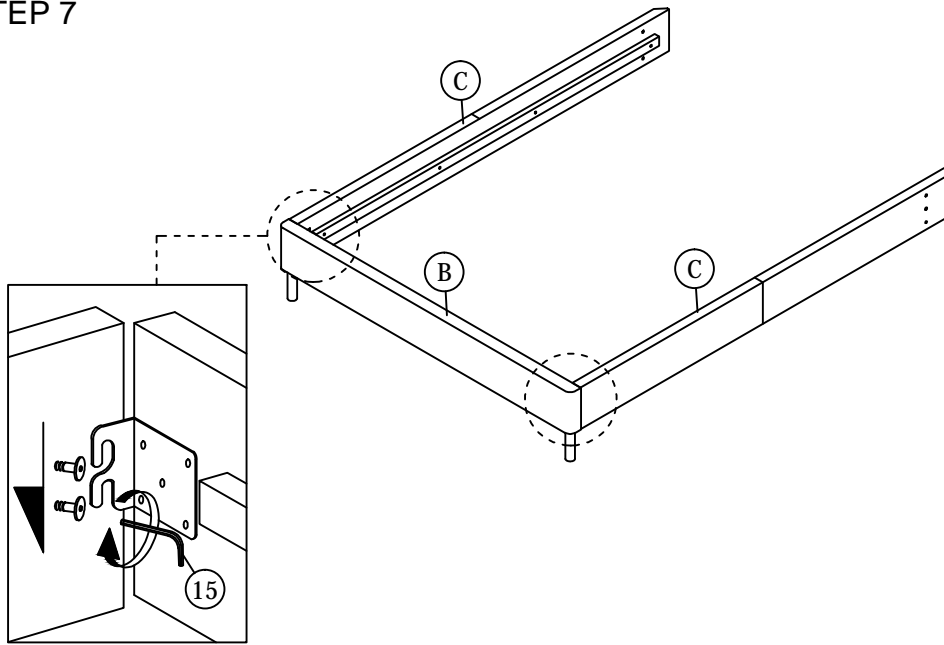
Loosen the pre-inserted bolt on the headboard and footboard using Allen key ball shape (15).

STEP 6

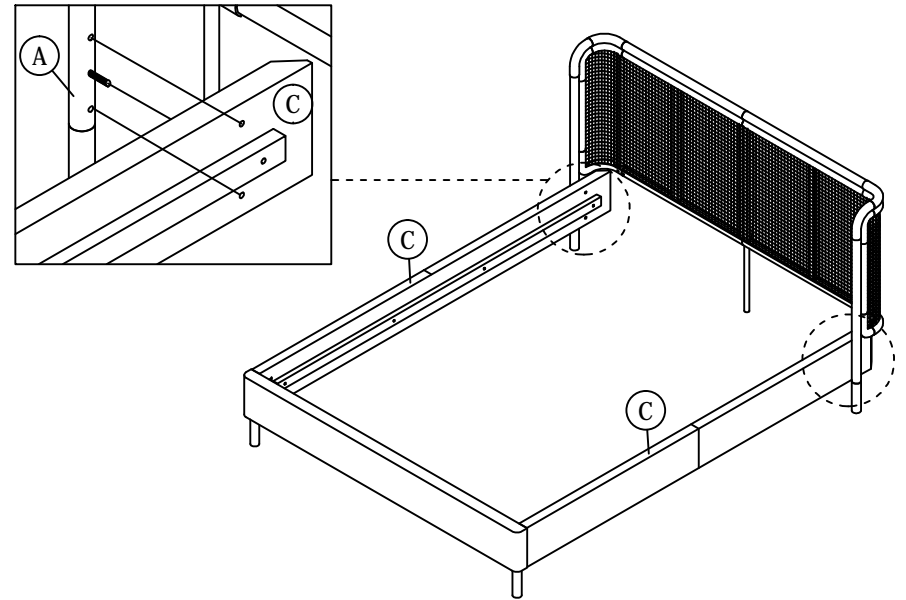


ASSEMBLY INSTRUCTIONS

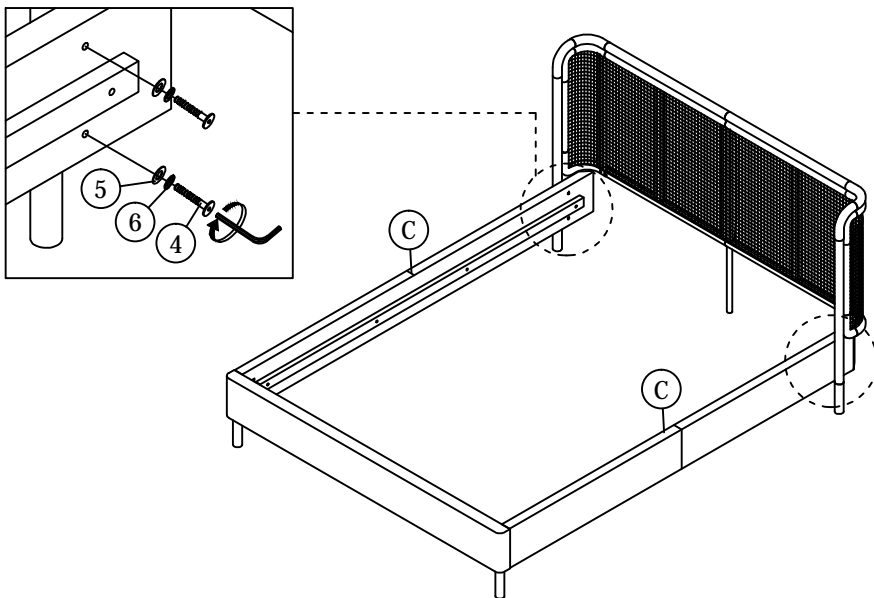
STEP 7



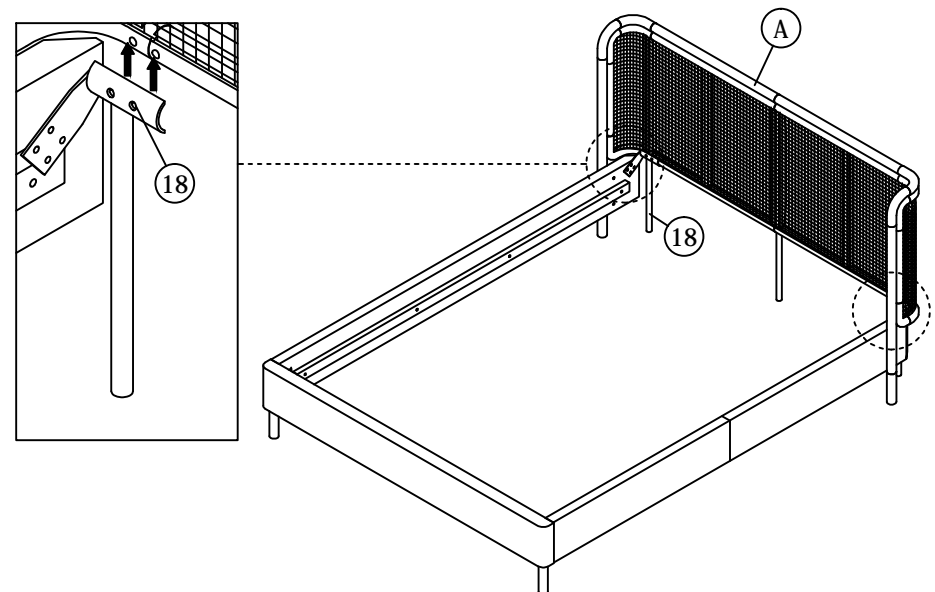
STEP 8



STEP 9

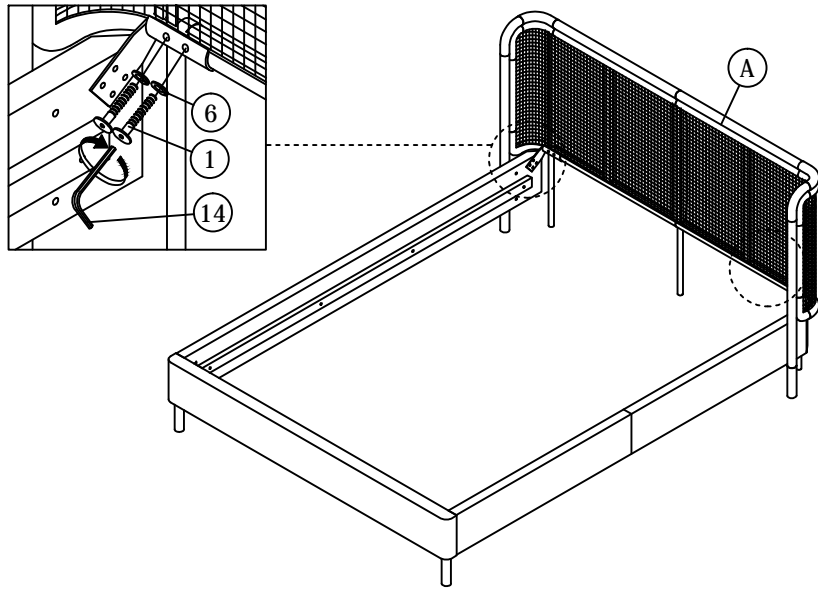


STEP 10

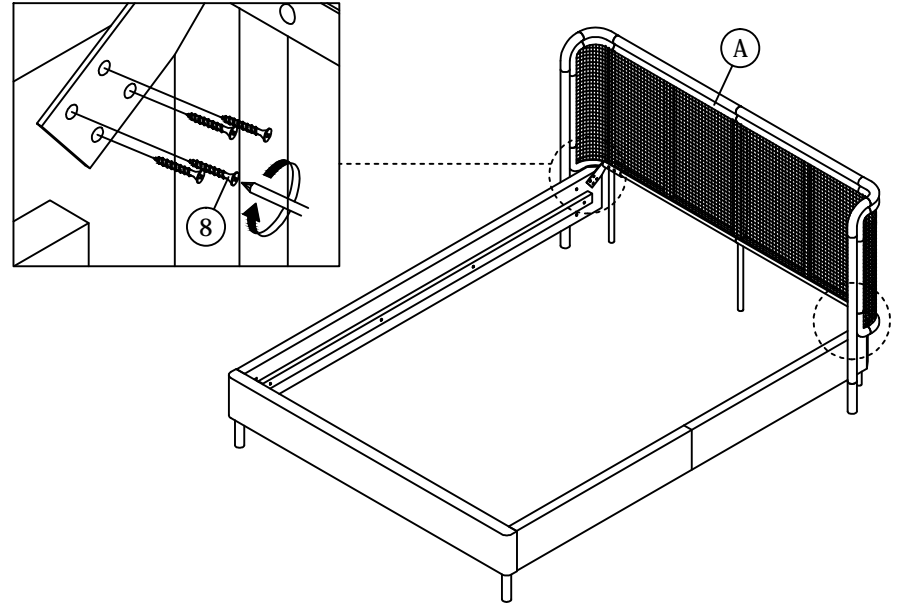


ASSEMBLY INSTRUCTIONS

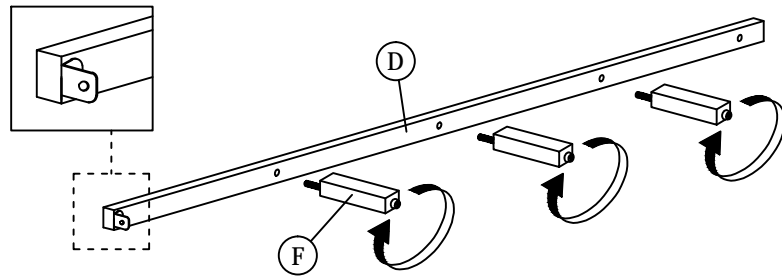
STEP 11



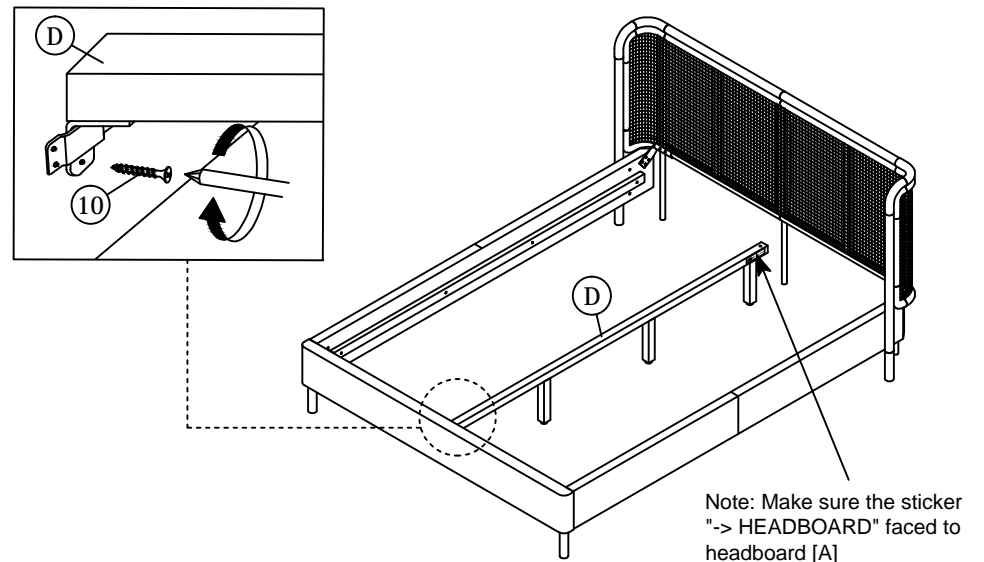
STEP 12



STEP 13

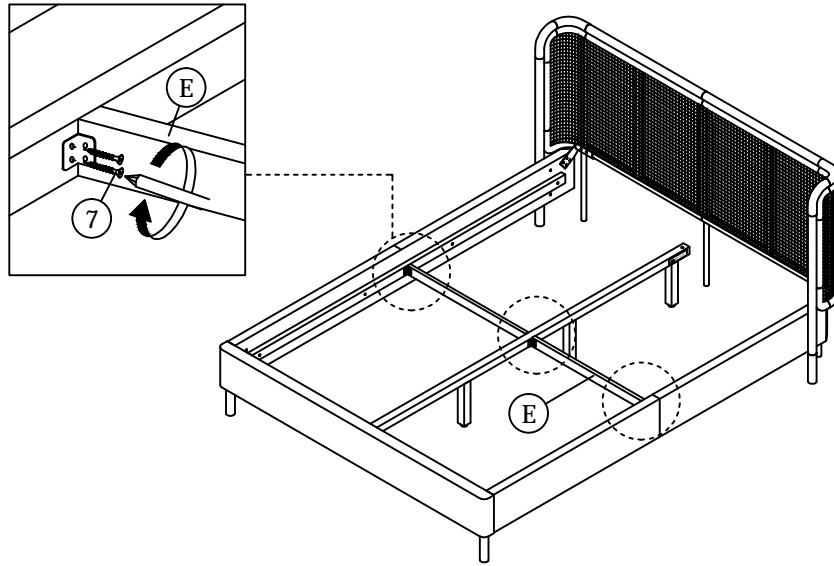


STEP 14

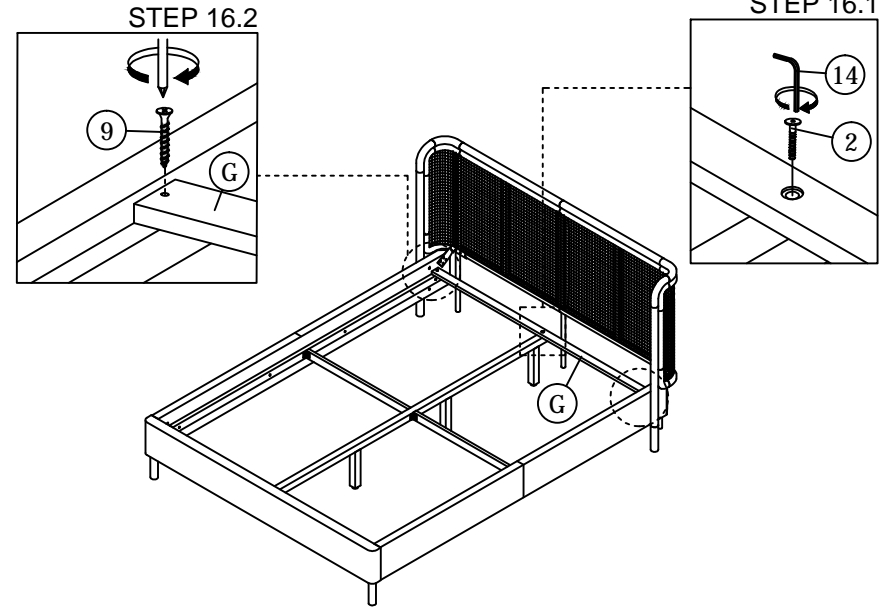


ASSEMBLY INSTRUCTIONS

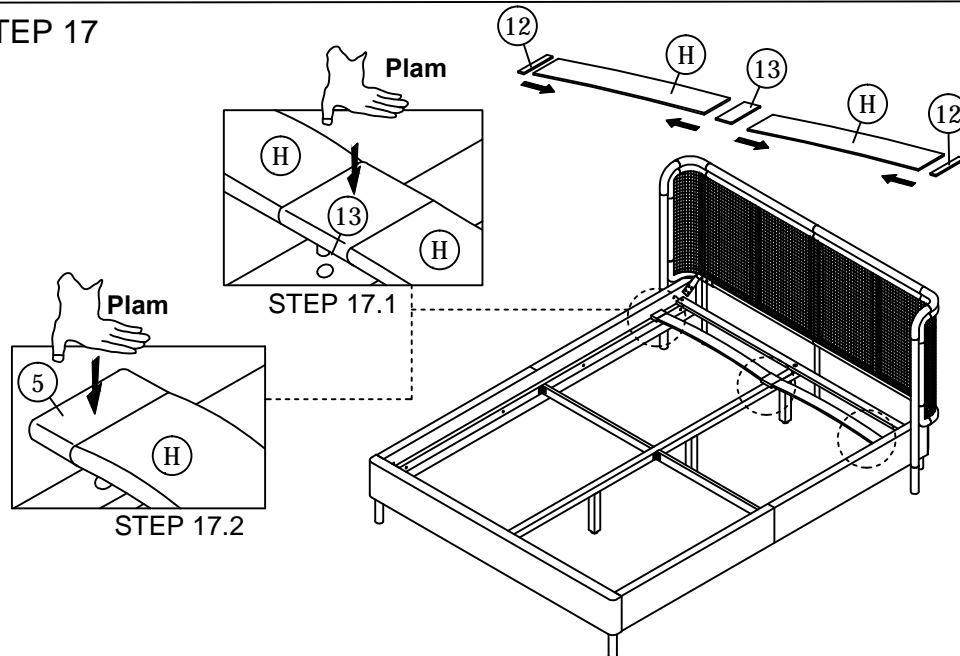
STEP 15



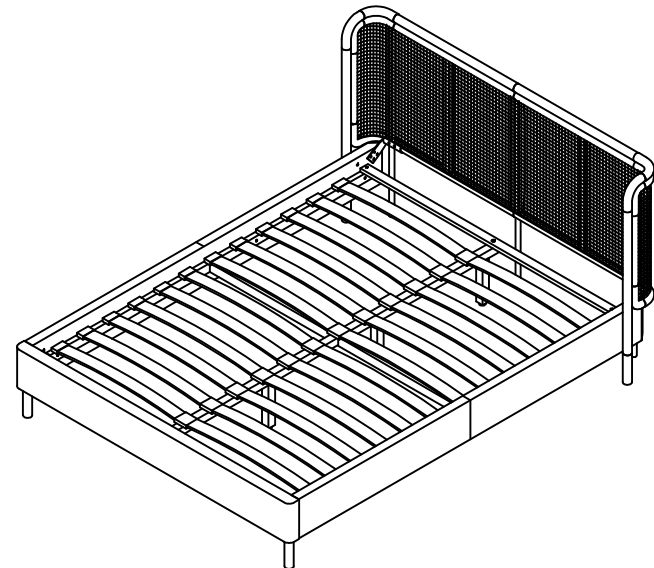
STEP 16



STEP 17



STEP 18



*** When moving the bed position, the center support legs must be adjust to be straight to avoid any broken problem.**