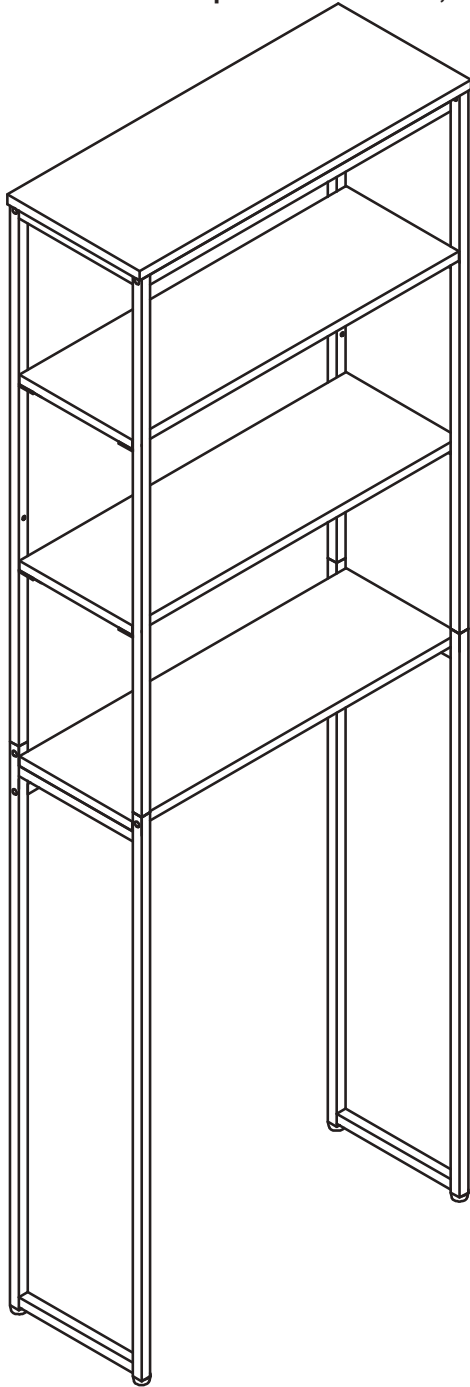


# 4-TIER SPACE-SAVING SHELF

Review all assembly and care instructions carefully before using this product. Save this manual for future reference.

**Assemble components on a soft, clean surface to avoid scratching or damaging the finish.**

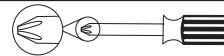


Inspect packaging to ensure all parts are accounted for before disposing of packing materials.

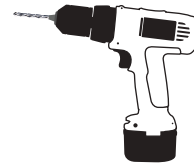
No.	PARTS		QTY.
1		Top Left Frame	1
2		Top Right Frame	1
3		Support Bar	3
4		Top Shelf	1
5		Lower Shelf	3
6		Bottom Left Frame	1
7		Bottom Right Frame	1

No.	HARDWARE		QTY.
A		Hex Key	1
B		M6 x 12mm Bolt	12
C		M6 x 25mm Bolt	8
D		M6 x 35mm Bolt	6
E		Wall Anchor	2
F		M4 x 38mm Screw	2
G		Foot	4

## TOOLS REQUIRED (not included)



Phillips Screwdriver



Power Drill with  
9/32" (7mm) Drill Bit

## ⚠ WARNING ⚠

**CHOKING HAZARD** — This item contains small parts that can be swallowed. Keep children and pets away during assembly.



## ⚠ HELPFUL HINT

advises reading this manual fully, and assembling the item soon after purchase. Check that all parts are accounted for and familiarize yourself with the assembly before beginning.

Save this manual for future reference.

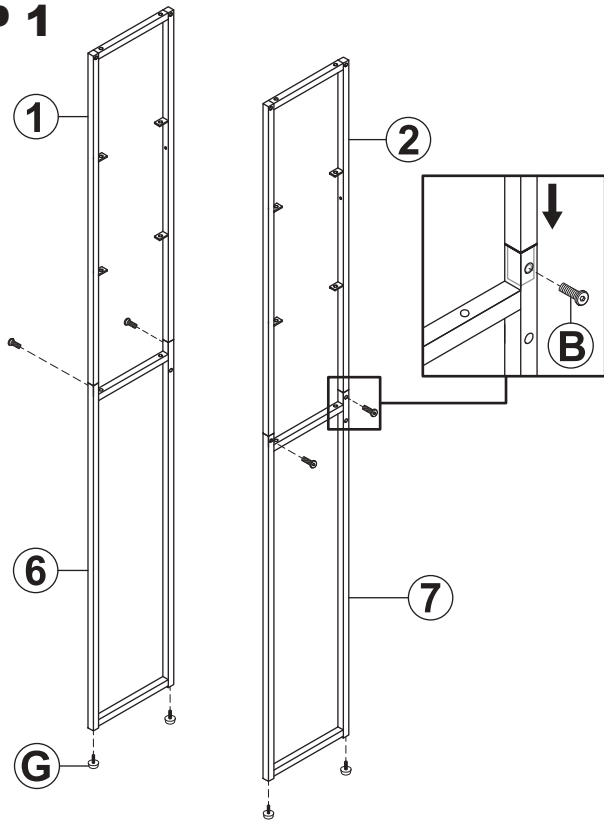
# ASSEMBLY

Review all steps and understand assembly before beginning.

**Do not fully tighten hardware until all components have been loosely assembled.**

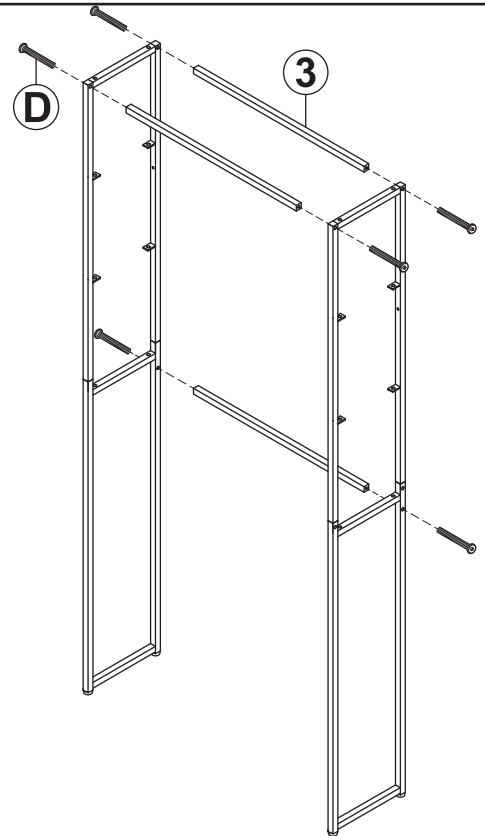
## STEP 1

- 1: 1
- 2: 1
- 6: 1
- 7: 1
- B: 4
- G: 4



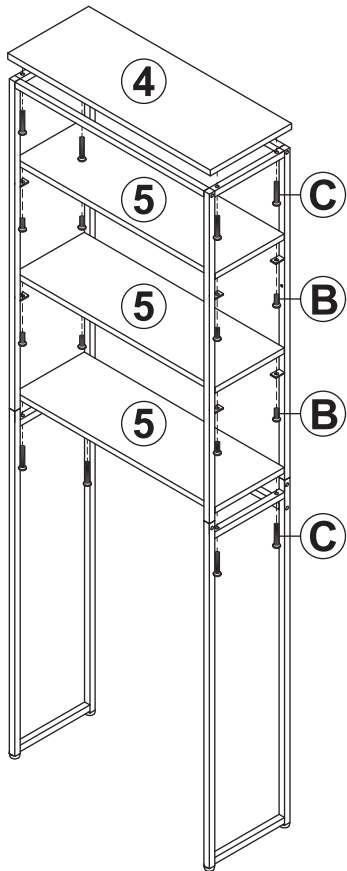
## STEP 2

- 3: 3
- D: 6



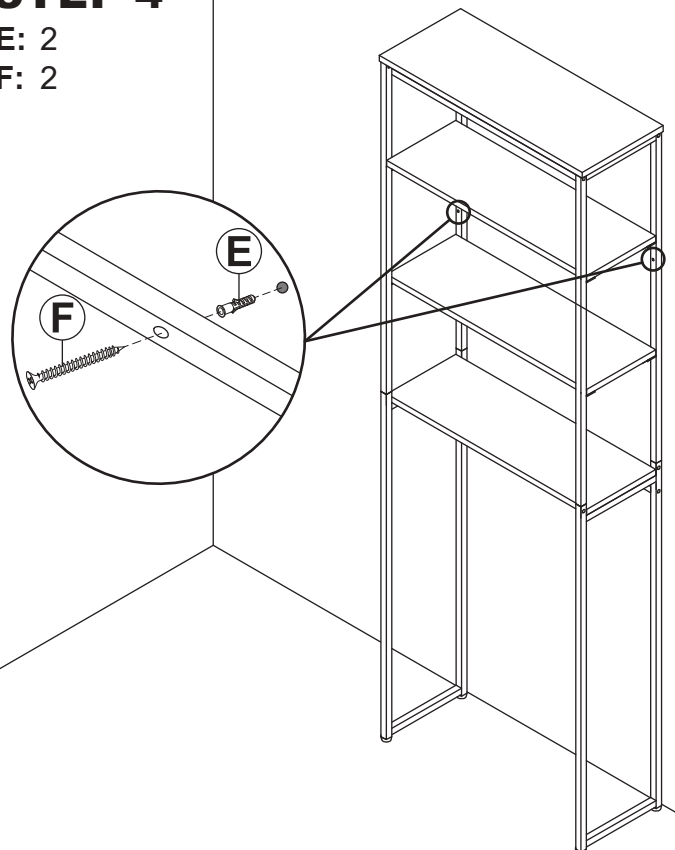
## STEP 3

- 4: 1
- 5: 3
- B: 8
- C: 8



## STEP 4

- E: 2
- F: 2



# Care & Maintenance



Clean with a feather duster or a dry, soft cloth.



Remove stains with a slightly damp cloth and mild soap. Dry with a soft cloth to prevent water damage.



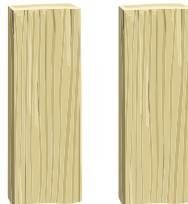
Do not clean shelving with harsh cleansers or polish.



Do not put hot items or any liquids directly on the furniture surface.



Do not climb or sit on the shelving unit as it may tip over and cause serious injury.



This shelving system is meant for drywall/stud mounting. If walls are concrete, brick or plaster, consult a professional.

## ! SAFETY STATEMENTS & WARNINGS !

- Residential use only. Not for commercial or industrial use.
- For indoor use only.
- Ensure fittings are tight before use. Periodically check fitting to ensure they are tight.
- Only use this shelving unit on a flat, level surface.
- Do not climb on or sit on the shelves.
- Supervise children; never allow children to climb or sit on this unit as it may tip over and cause serious injury.
- Do not place liquids or hot items on the shelves.
- Never use chemical cleaning products or polishes as they may damage the finish.
- Do not overload the shelves as doing so may cause the shelves to sag.
- Always place the heaviest items on the bottom shelf. Uneven weight distribution may cause the unit to tip over.
- Do not place the unit in direct sunlight.
- Do not place near heating or cooling vents.
- Do not write on furniture without a padded barrier to protect the surface.

**Any modification to the product or failure to follow recommended care will void the product warranty.**

## ! WARNING!

Manufacturer and seller expressly disclaim any and all liability from personal injury, property damage or loss, whether direct or indirect, or incidental, resulting from the incorrect attachment, improper use, inadequate maintenance, or neglect of this product.