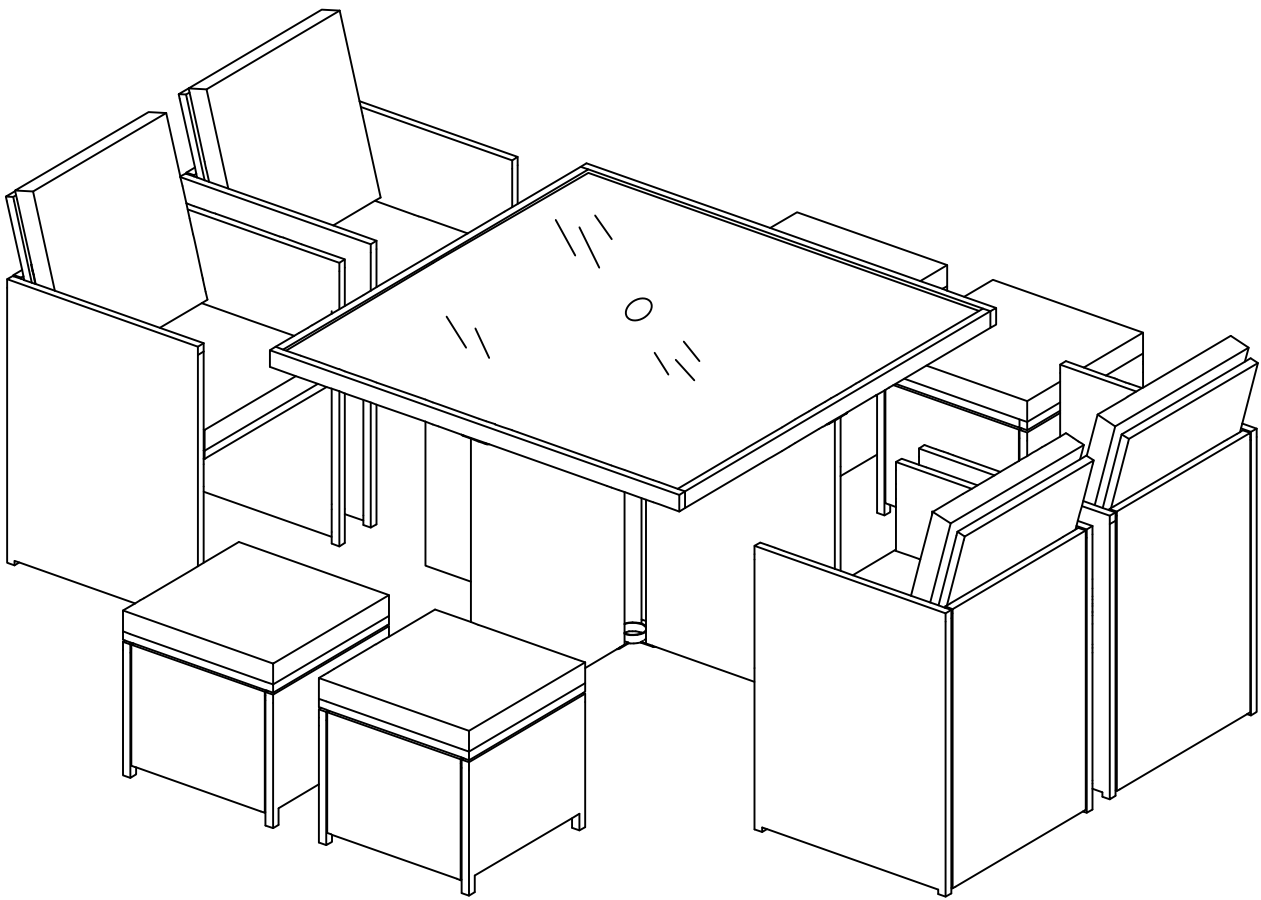


Instruction Manual

8 Seat Dining Set Grey



CONTENTS

Safety and care advice	1
Components	2
Assembly instructions	4
Copyright	10

⚠ SAFETY AND CARE ADVICE ⚠

PLEASE READ THESE INSTRUCTIONS CAREFULLY AND KEEP FOR FUTURE REFERENCE

- **Warning:** Please lift with care.
- Check you have all the components and tools listed on pages 2 and 3.
- Remove all fittings from the plastic bags and separate them into their groups.
- Keep children and animals away from the work area, small parts could choke if swallowed.
- Make sure you have enough space to lay out the parts before starting.
- Do not stand or put weight on the product, this could cause damage.
- Assemble the item as close to its final position (in the same room) as possible.

- Assemble on a soft level surface to avoid damaging the unit or your floor (use opened out unit carton).



- We do not recommend the use of power drill/drivers **for inserting screws**, as this could damage the unit. Only use hand screwdrivers.
- Dispose of all packaging carefully and responsibly.

CARE AND MAINTENANCE

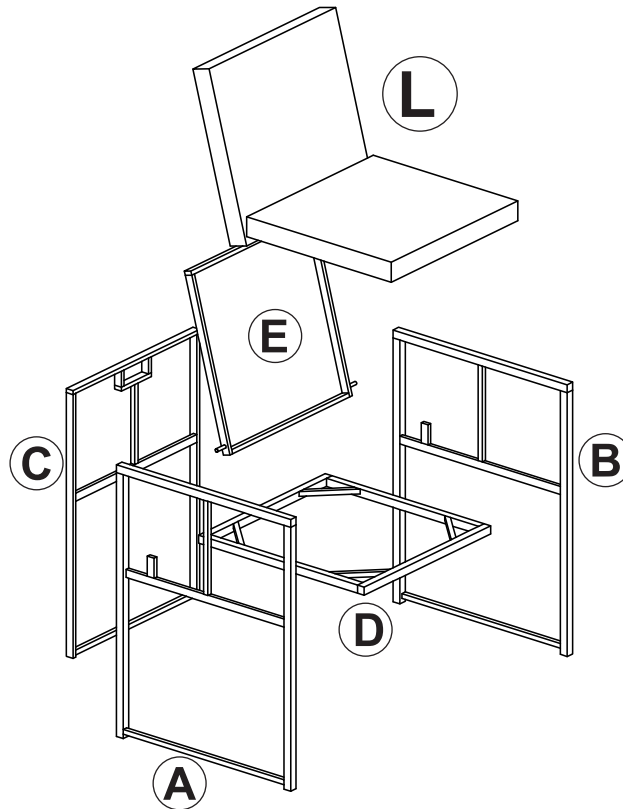
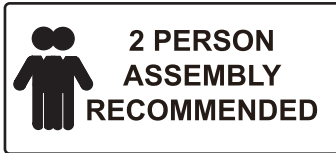
- Only clean using a damp cloth and mild detergent, do not use bleach or abrasive cleaners.
- From time to time check that there are no loose screws on this unit.

- This product should not be discarded with household waste. Take to your local authority waste disposal center.

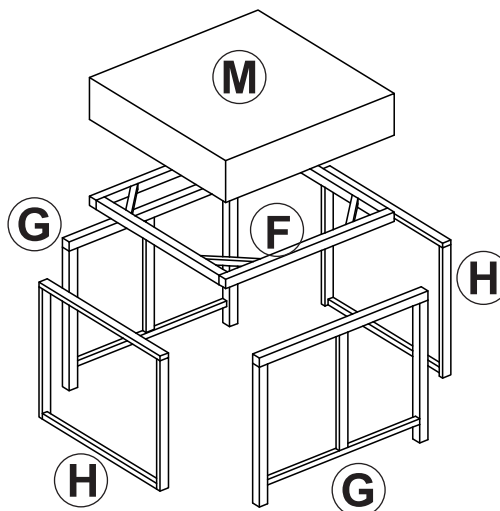
Note *If required the next page can be cut out and used as reference throughout the assembly. Keep this page with these instructions for future reference.*

COMPONENTS

Please check you have all the panels listed below:



A Right Chair Frame	x4	D Seat Frame	x4
B Left Chair Frame	x4	E Folding Seat Base	x4
C Back Frame	x4	L Cushion Chair	x8

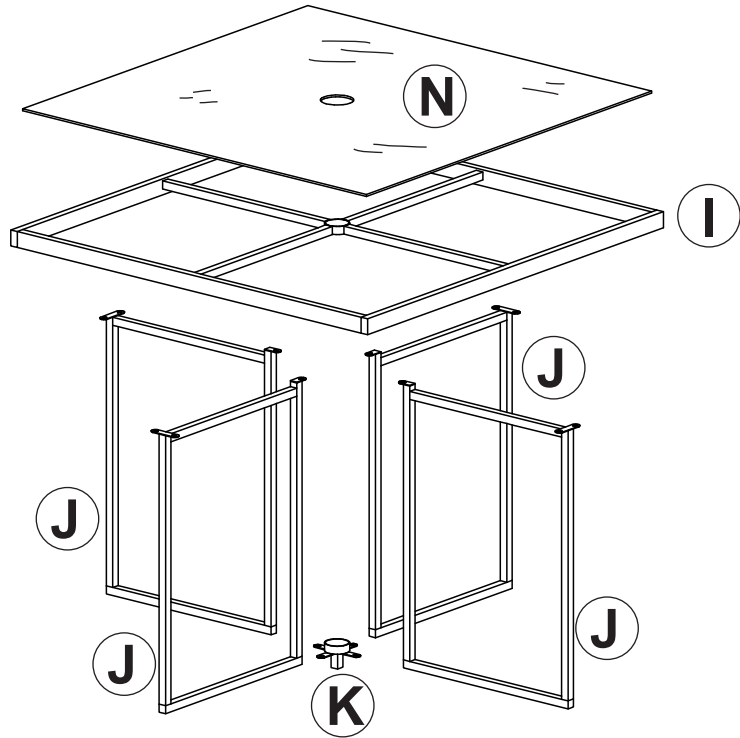


F Stool Seat Frame	x4	H Stool Side Frame	x8
G Stool Feet Frame	x8	M Cushion Stool	x4

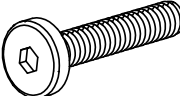


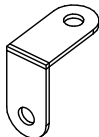


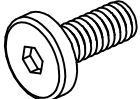



COMPONENTS

Please check you have all the panels listed below:



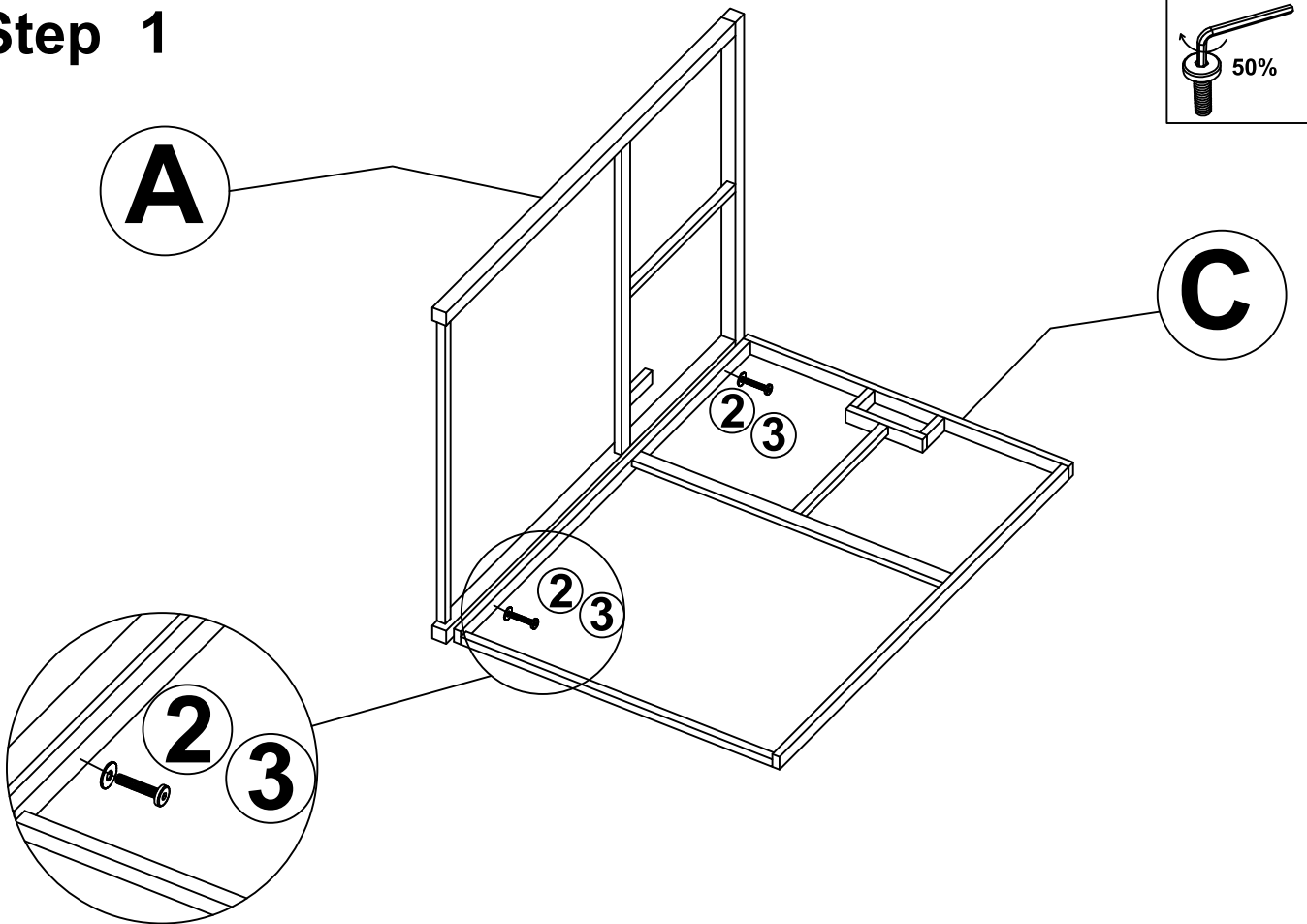
I Table Top	x1	K Parasol Holder	x1
J Table Legs	x4	N Glass	x1

- | | | | |
|-----------------|---|---------------------|---|
| 1 Bolt 6x40 x16 |  | 5 Plastic Washer x8 |  |
| 2 Washer x116 |  | 6 Bracket x8 |  |
| 3 Bolt 6x30 x68 |  | 7 Allen Key x2 |  |
| 4 Bolt 6x15 x32 |  | 8 Parasol ring x1 |  |

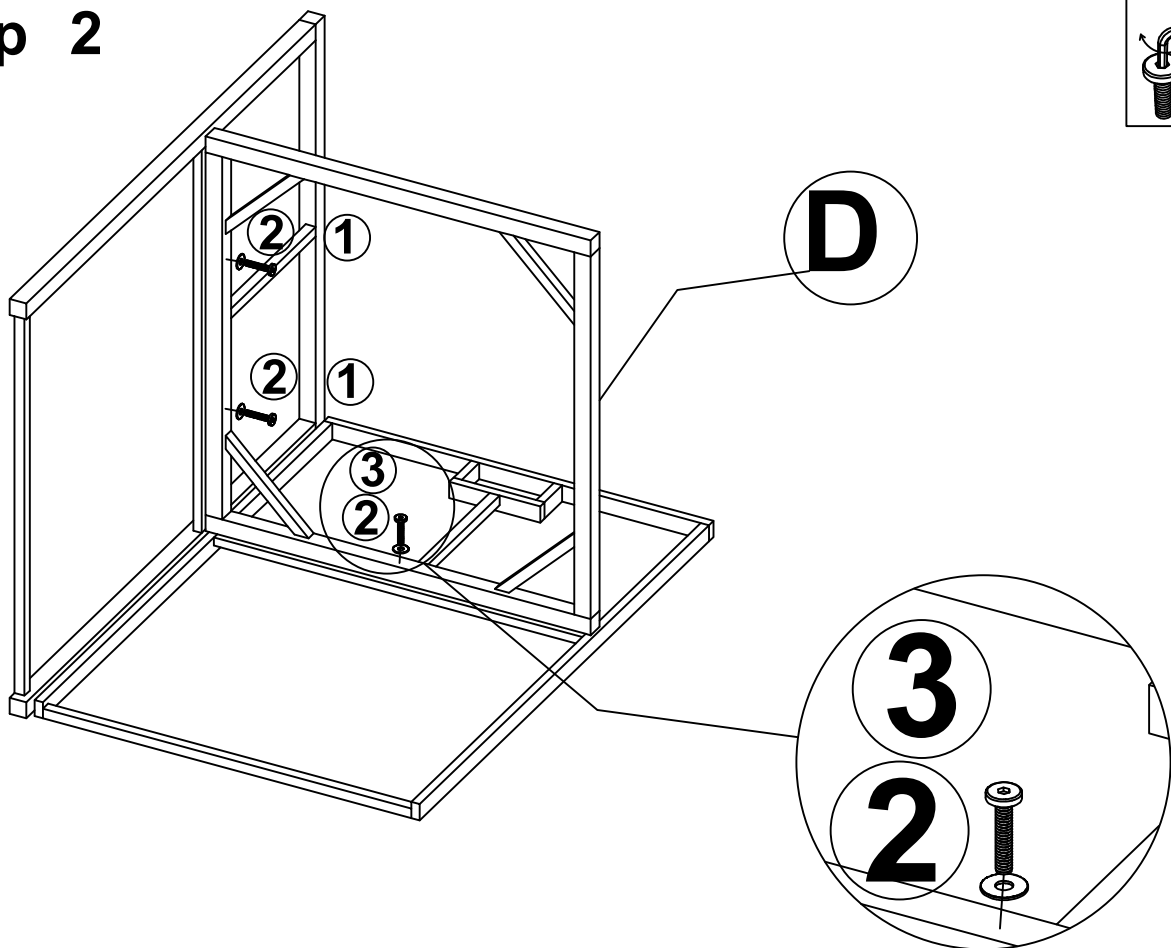


ASSEMBLY INSTRUCTIONS

Step 1

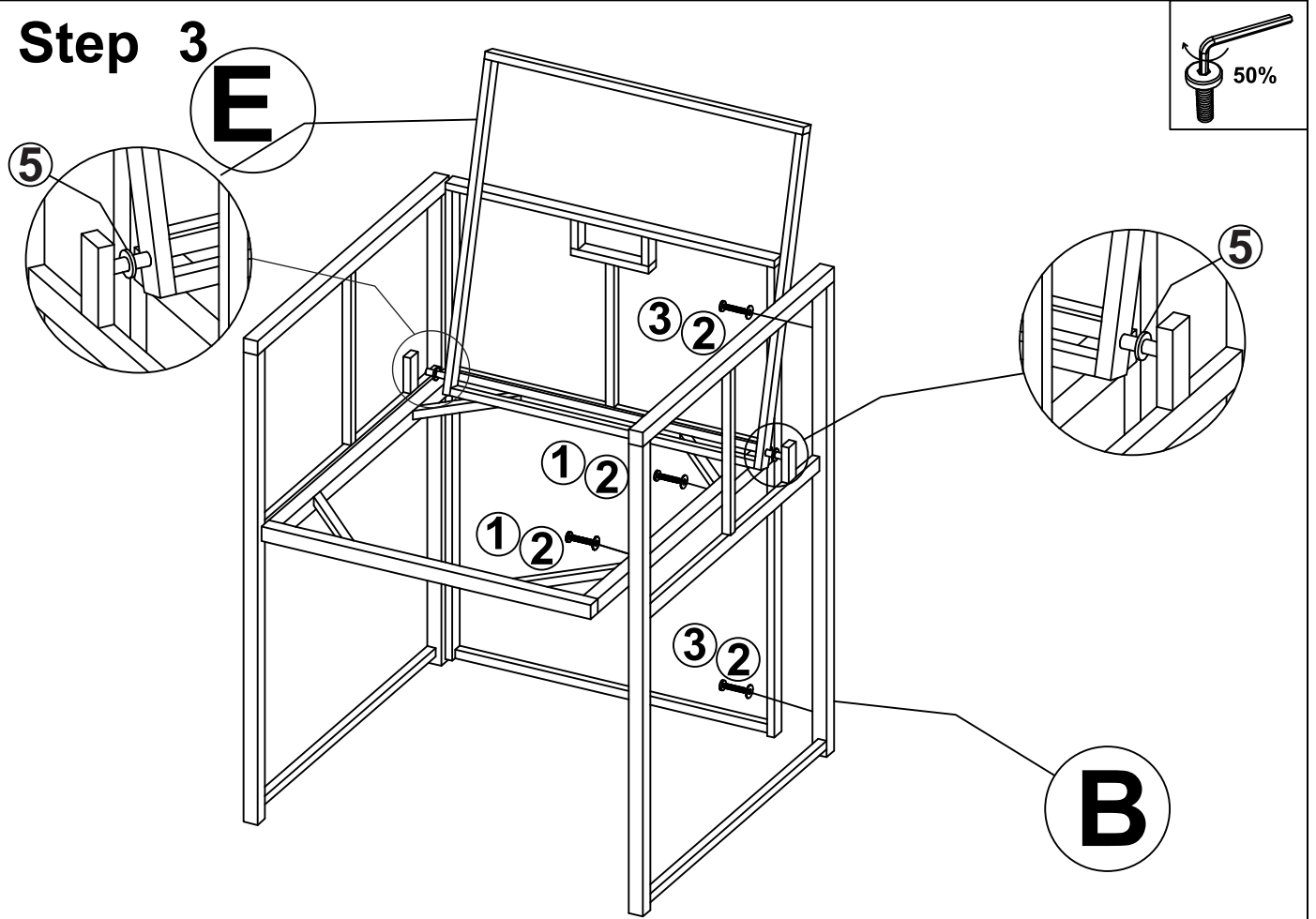


Step 2

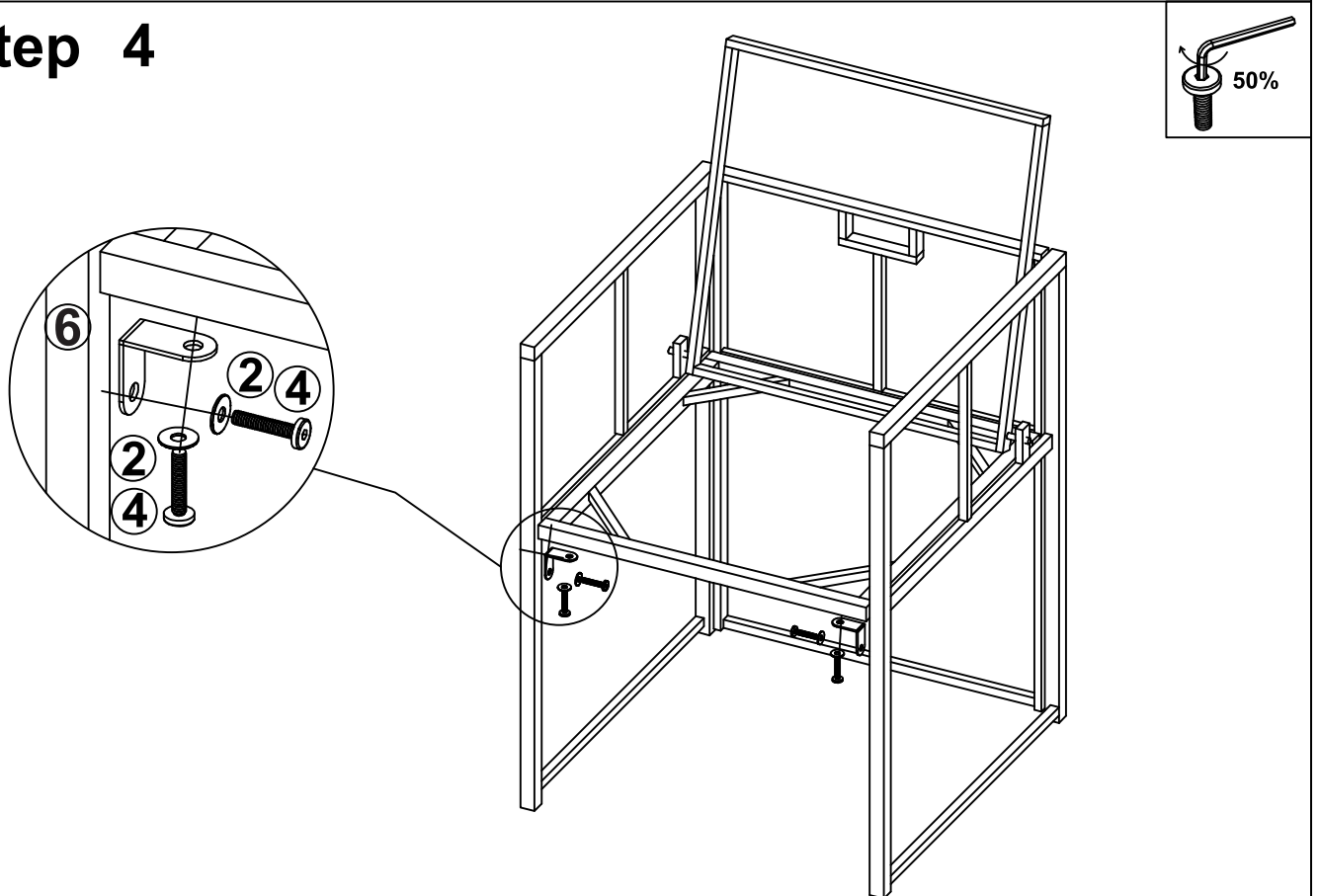


ASSEMBLY INSTRUCTIONS

Step 3

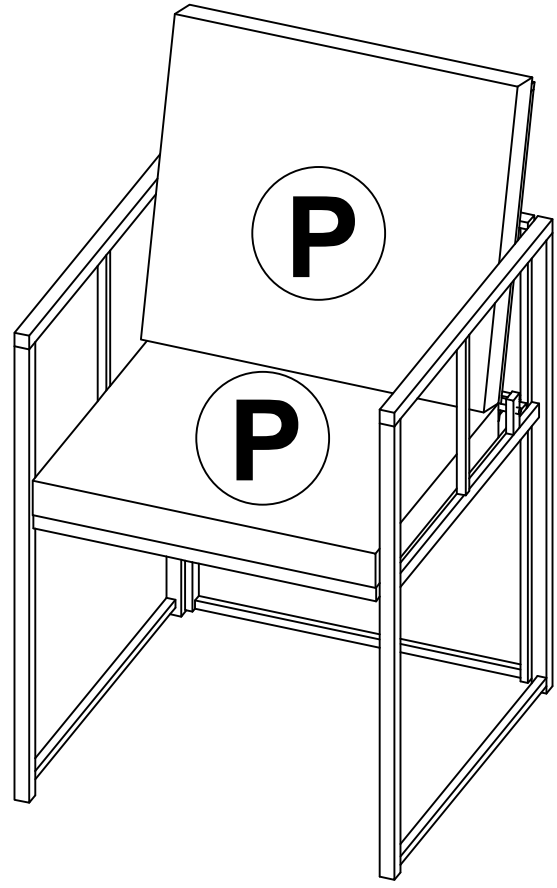
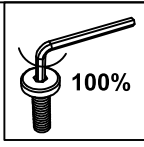


Step 4

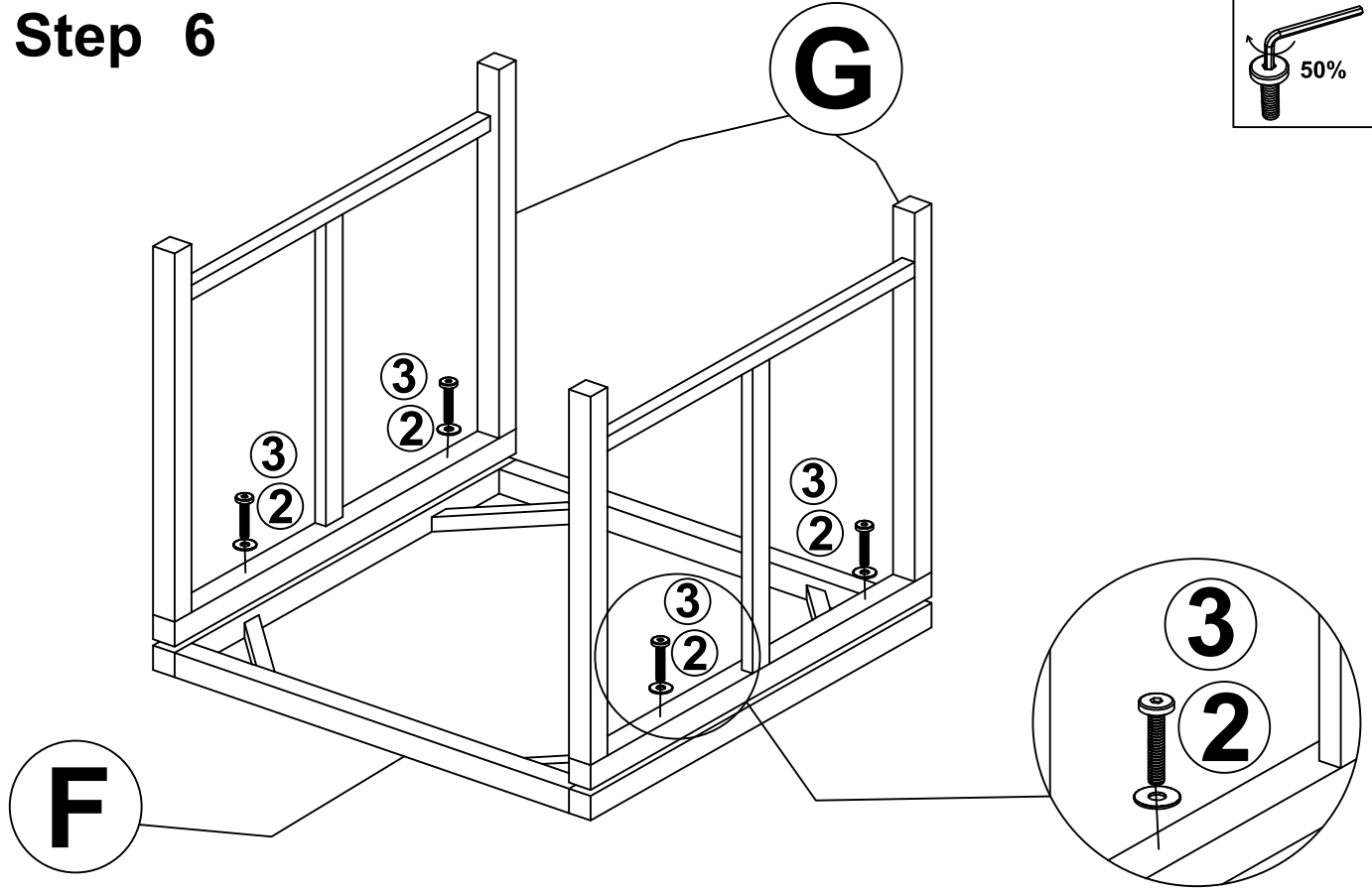
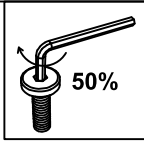


ASSEMBLY INSTRUCTIONS

Step 5
x4

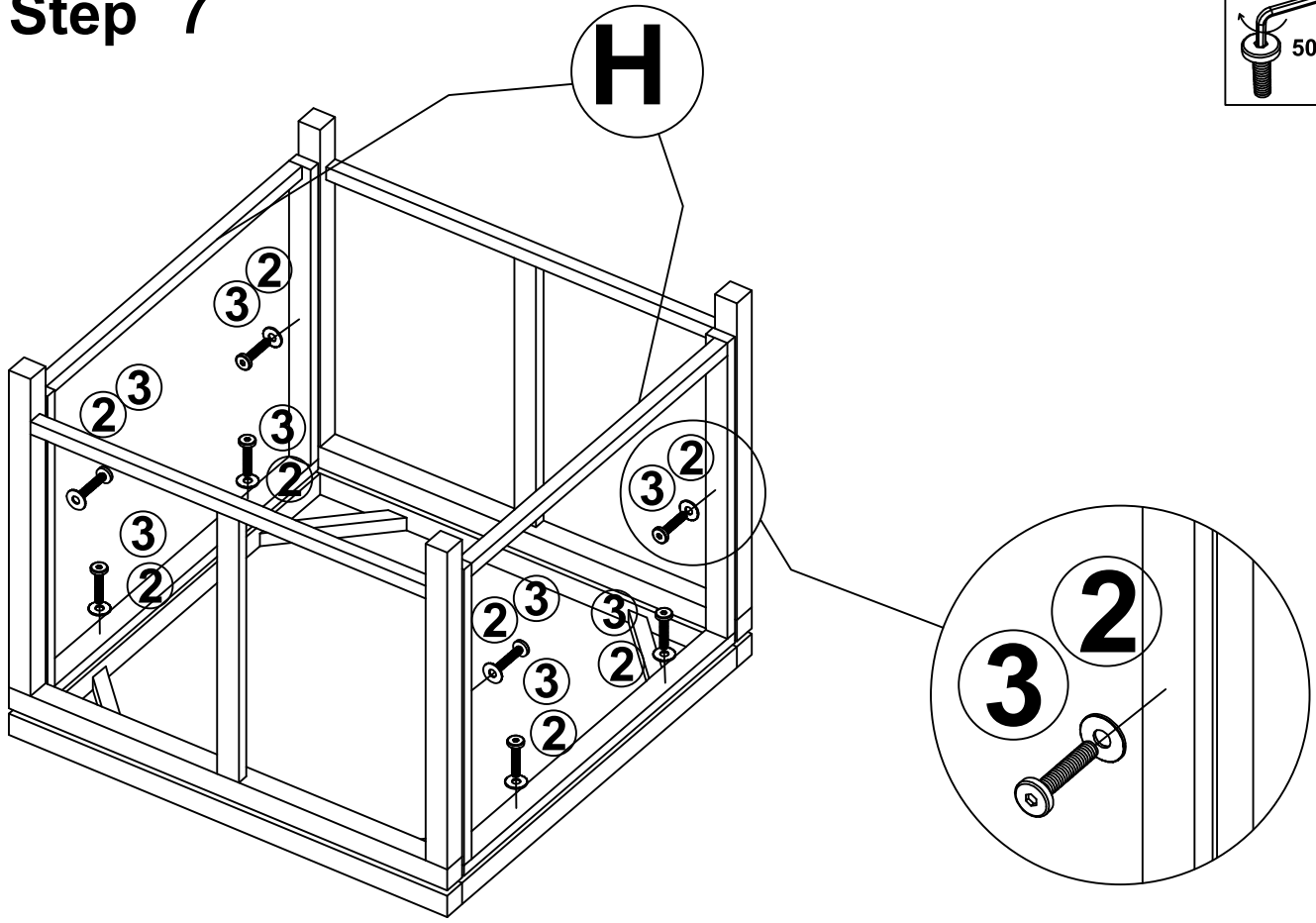
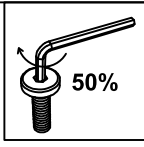


Step 6



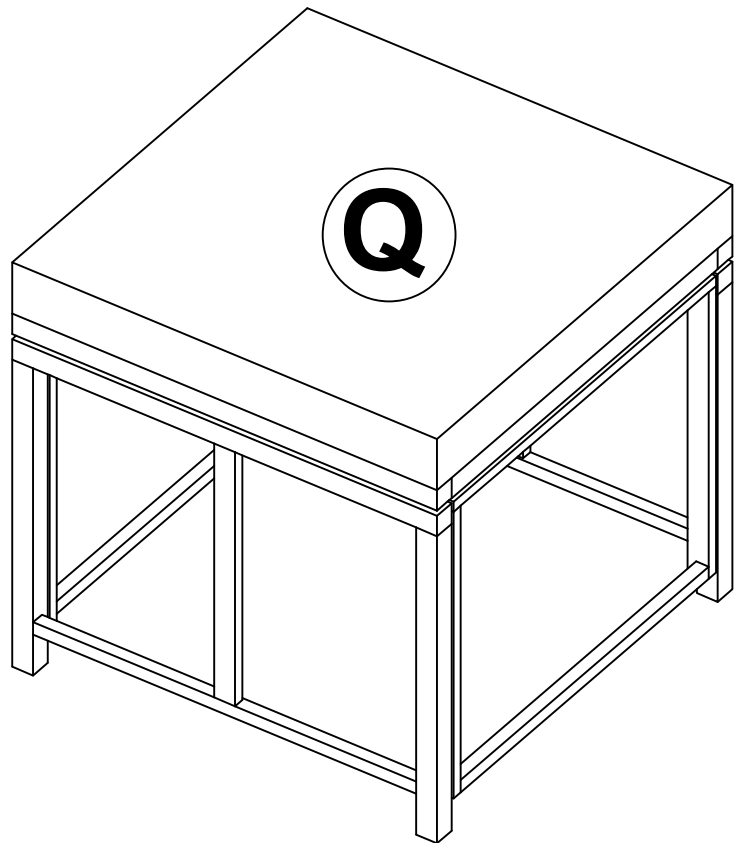
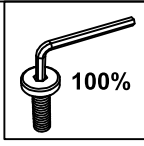
ASSEMBLY INSTRUCTIONS

Step 7



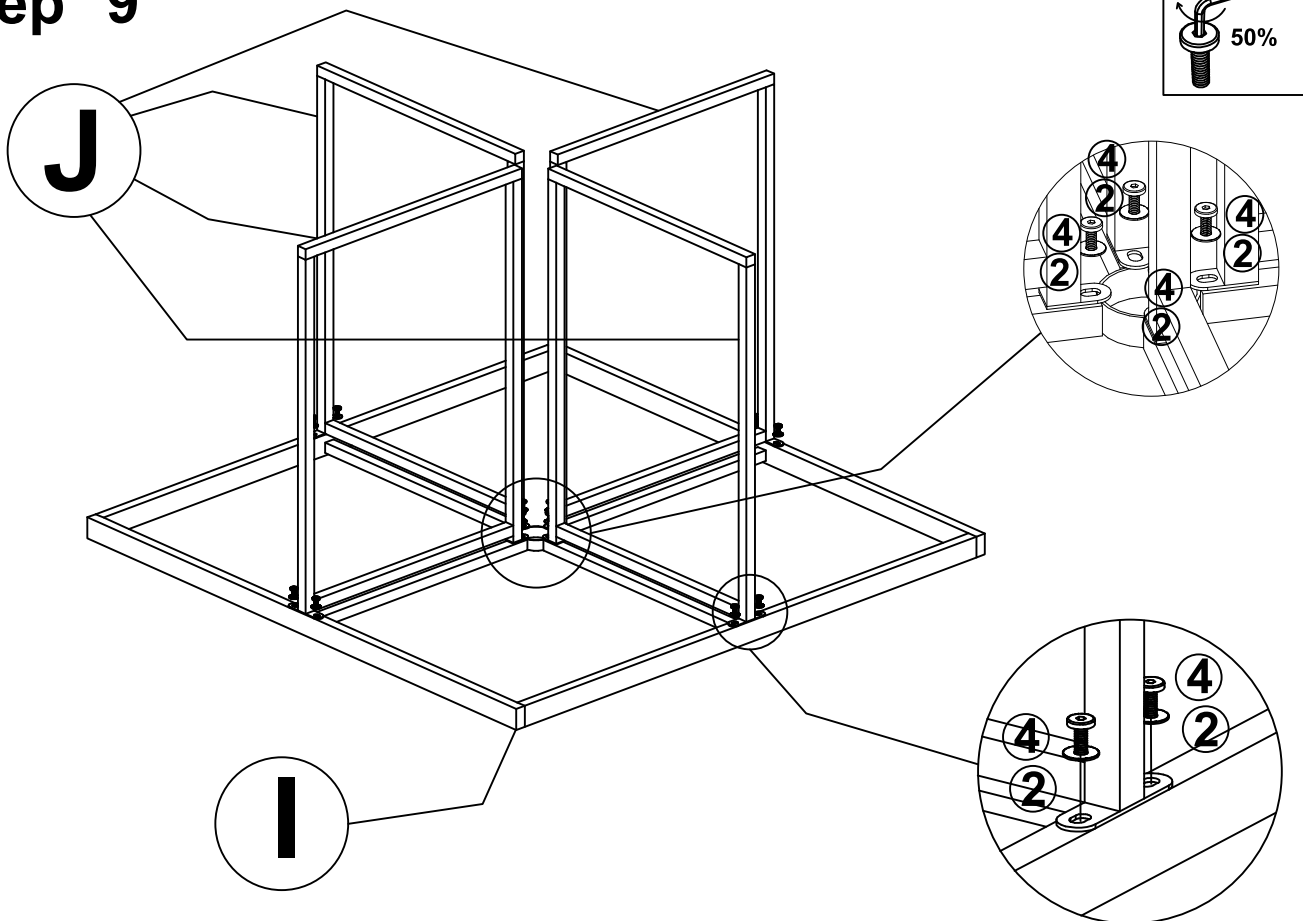
Step 8

x4

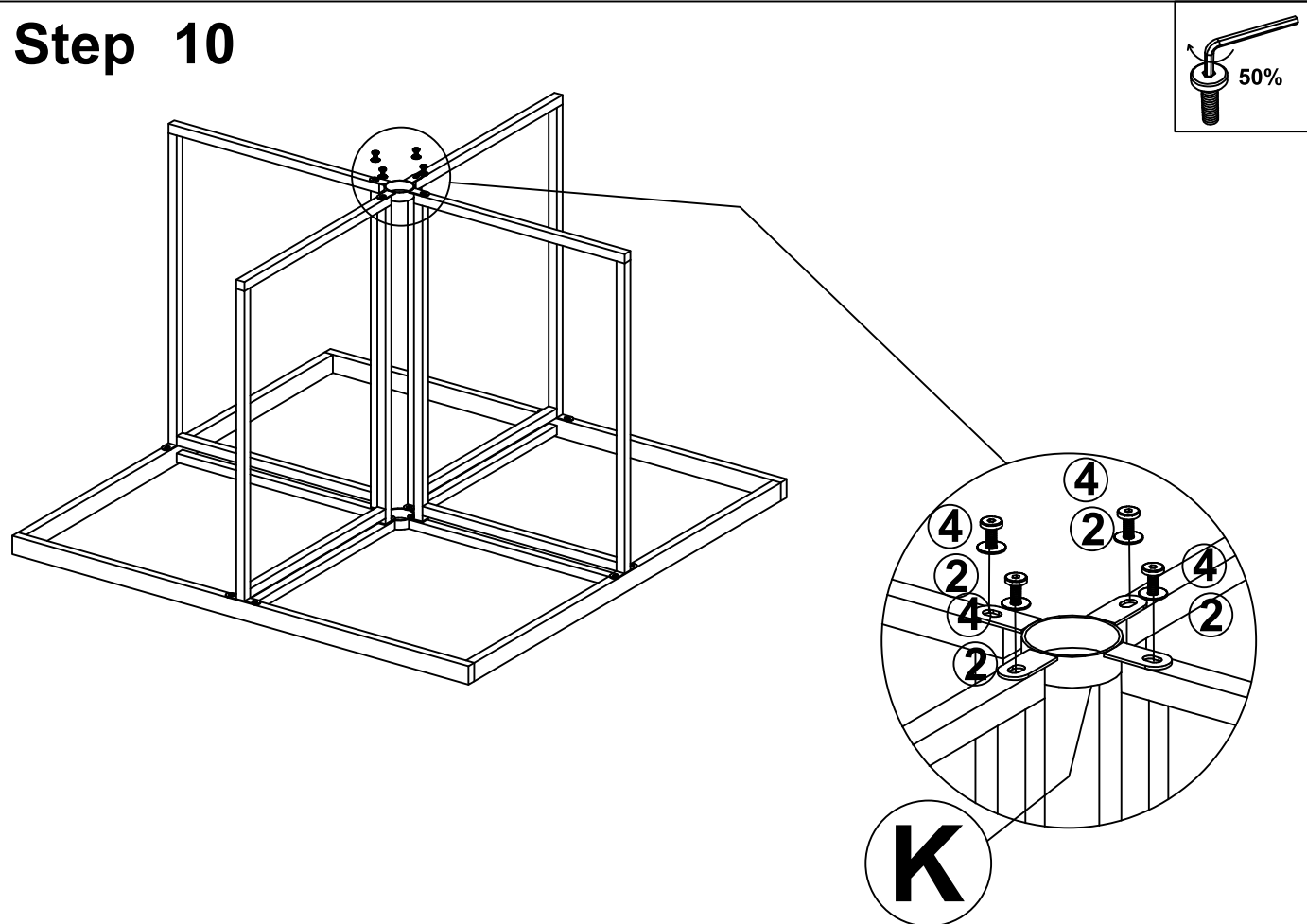


ASSEMBLY INSTRUCTIONS

Step 9

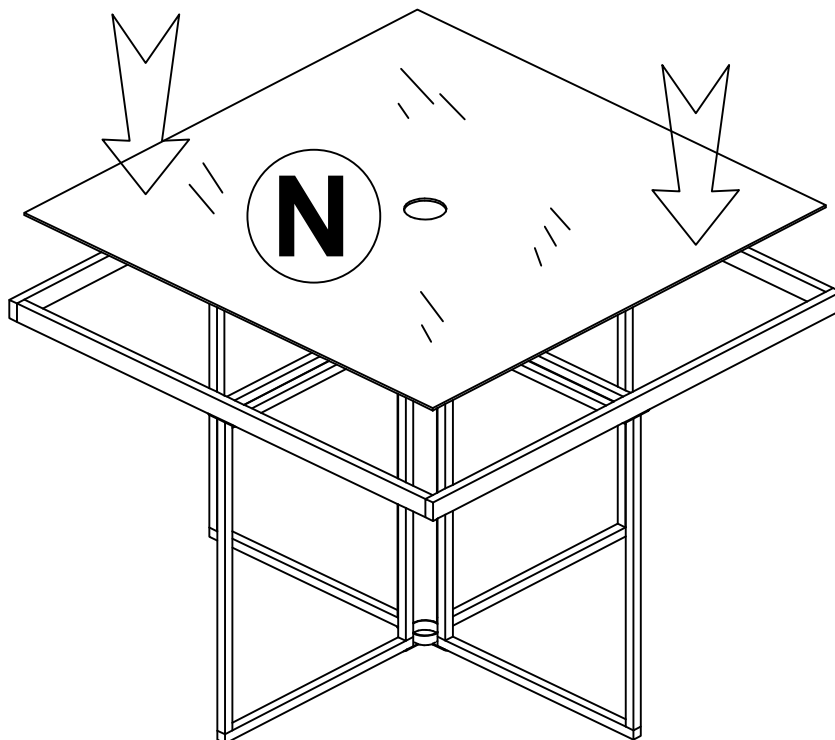
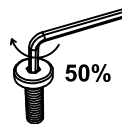


Step 10

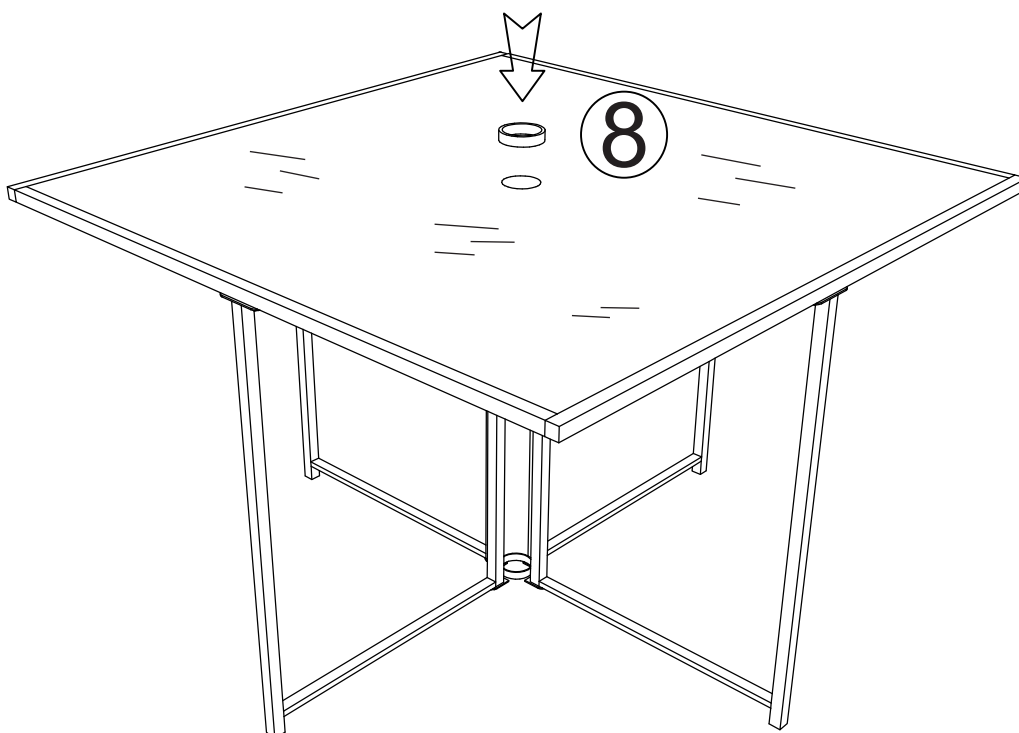


ASSEMBLY INSTRUCTIONS

Step 11



Step 12



IF YOU FIND A DEFECTIVE PART

We fully stock all parts and components. Any defective part can be quickly replaced. Take note of the defective part number in manual and we will arrange a quick replacement.

COPYRIGHT

All material in this instruction manual is copyrighted
Any unauthorised use may violate worldwide copyright, trademark and other laws.