

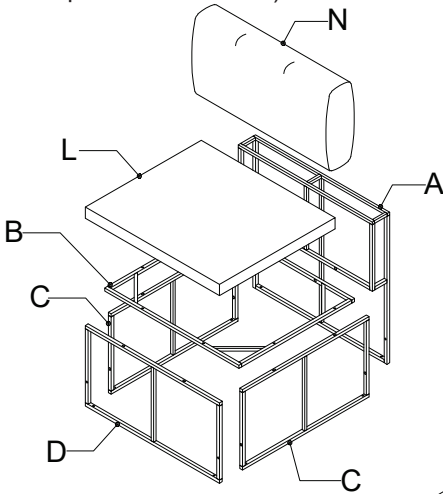
Rattan sofa set 6pcs



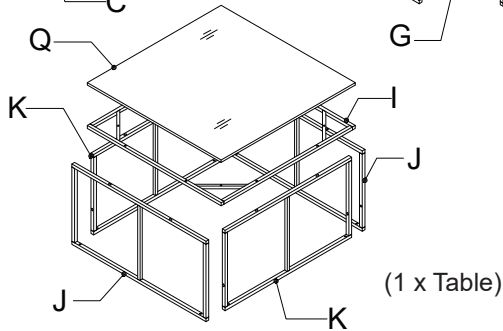
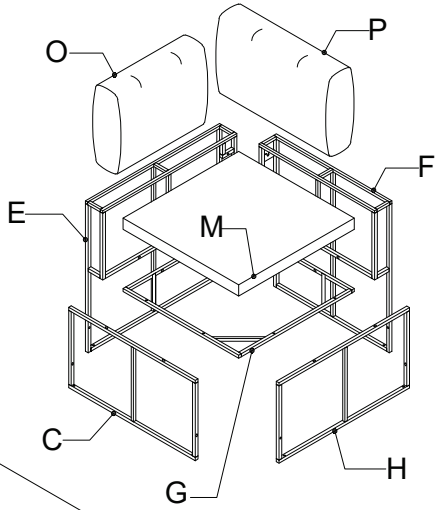
Before You Start

- ⚠ Please read all instructions carefully.
- ⚠ Retain instructions for future reference.
- ⚠ Separate and count all parts and hardware.
- ⚠ Read through each step carefully and follow the proper order.
- ⚠ We recommend that, where possible, all items are assembled near to the area in which they will be placed in use, to avoid moving the product unnecessarily once assembled.
- ⚠ Always place the product on a flat, steady and stable surface.
- ⚠ Keep all small parts and packaging materials for this product away from babies and children as they potentially pose a serious choking hazard.

(2 x Armless sofa
/Canapé sans accoudoir)



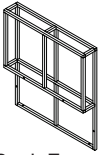
(3 x Corner sofa
/Canapé d'angle)



Notice:

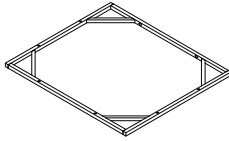
1. 50% Tighten before fixing all screws, Allen wrench is recommended instead of an electric drill.
2. Place the item on a flat ground to adjust and make sure it remains stable
3. Tighten up all screws with tools gradually.
4. If the screws are not aligned with holes during assembly, please loosen all the other screws to 50% and continue the assembly process.
5. If the item is not stable, please loosen all the screws, adjust it on a flat ground and tighten up all screws again.
6. Note : If one or some screws are fully tightened during assembly, chances are the others will not be aligned with holes. In addition, all the holes are designed to be relatively larger to provide more space for the adjustment of the screws.

Part List



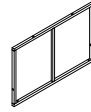
Back Frame

(A) x2



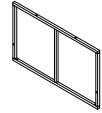
Seat Frame

(B) x2



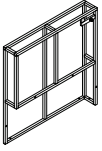
Side Frame

(C) x7



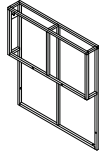
Front Frame

(D) x2



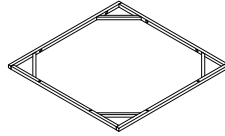
Big Corner Frame

(E) x3



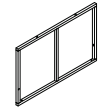
Small Corner Frame

(F) x3



Corner Seat Frame

(G) x3



Corner front Frame

(H) x3

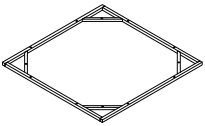


Table top Frame

(I) x1



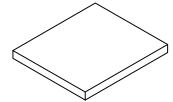
Long side Table

(J) x2



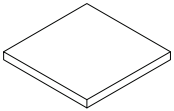
Short side Table

(K) x2



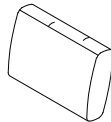
Seat Cushion

(L) x2



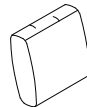
Corner seat Cushion

(M) x3



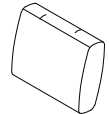
Back Pillow

(N) x2



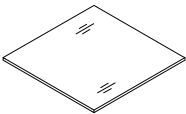
Small corner Pillow

(O) x3



Big corner Pillow

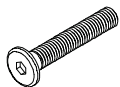
(P) x3



69.5x69.5x5 mm
Table Glass

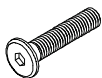
(Q) x1

Hardware List



Bolt
M6x30 mm

① x72



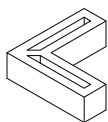
Bolt
M6x25 mm

② x48



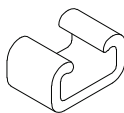
Washers
Ø6x16x1mm

③ x72



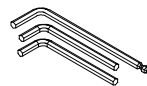
Plastic feet

④ x24



Plastic Sofa Connector

⑤ x8

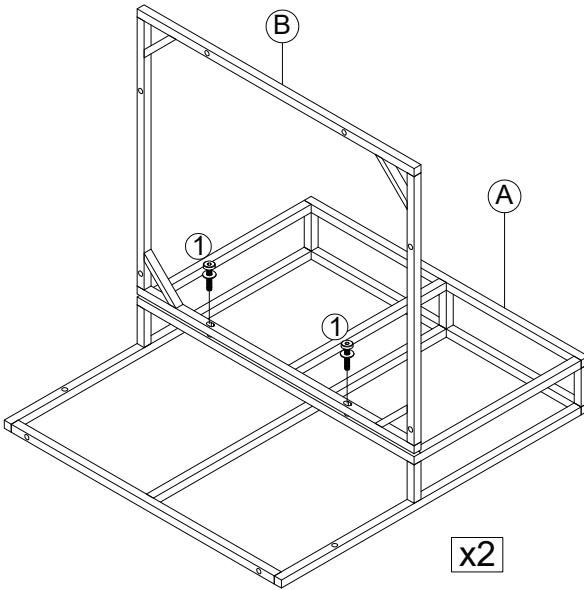


Allen key M4

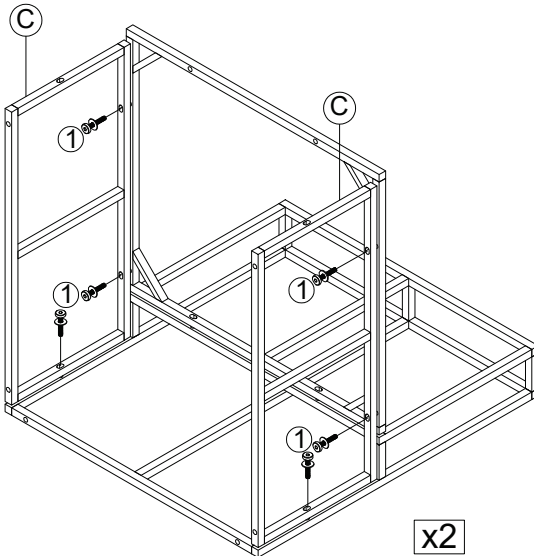
⑥ x3

1

(2 x Armless sofa assembly)

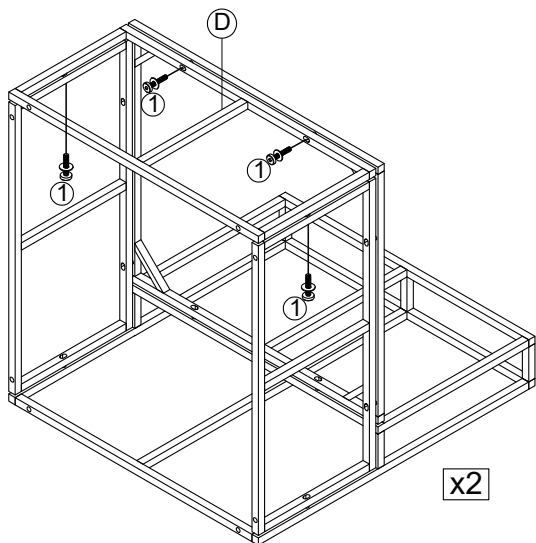


Connect Back Frame (A) &
Seat Frame (B) with Bolt (1)
& Washers (3)

2

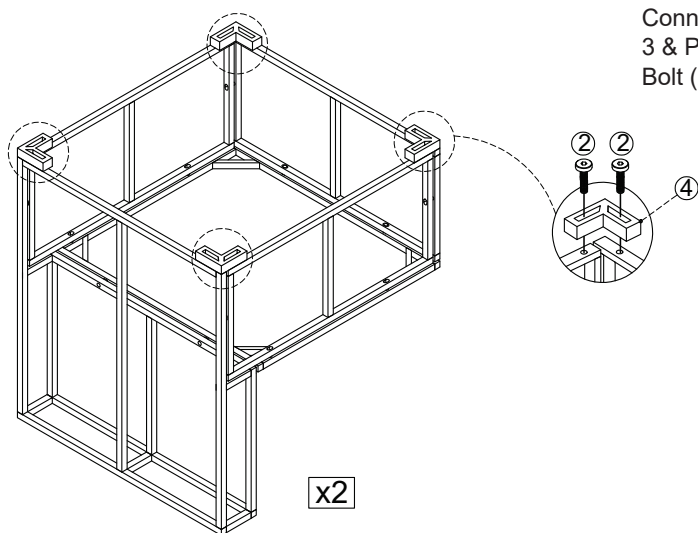
Connect Part from STEP 1
& Side Frame (C) with
Bolt (1) & Washers (3)

3



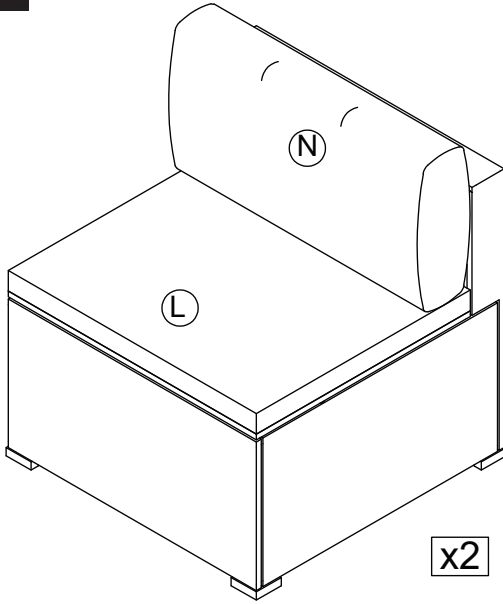
Connect Part from STEP 2 & Front Frame (D) with Bolt (1) & Washers (3)

4



Connect Part from STEP 3 & Plastic feet (4) with Bolt (2)

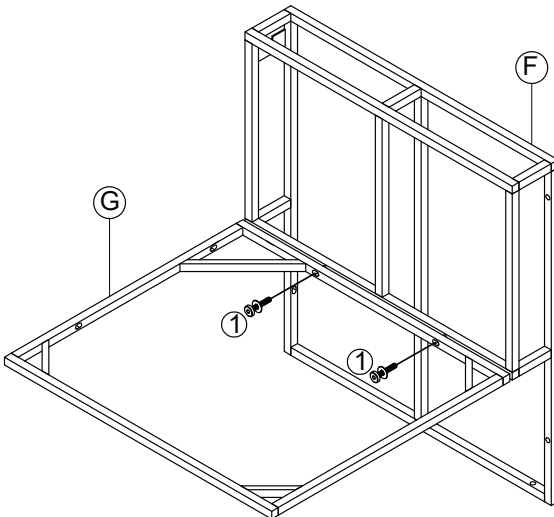
5



Put on Seat Cushion (L) & Back Pillow (N) to complete Armless sofa

6

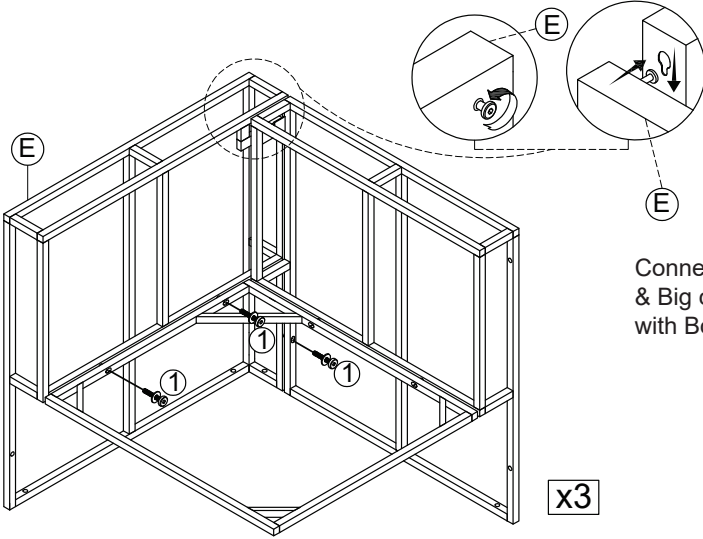
(3 x Corner sofa assembly)



Connect Small Corner Frame (F) & Corner Seat Frame (G) with Bolt (1) & Washers (3)

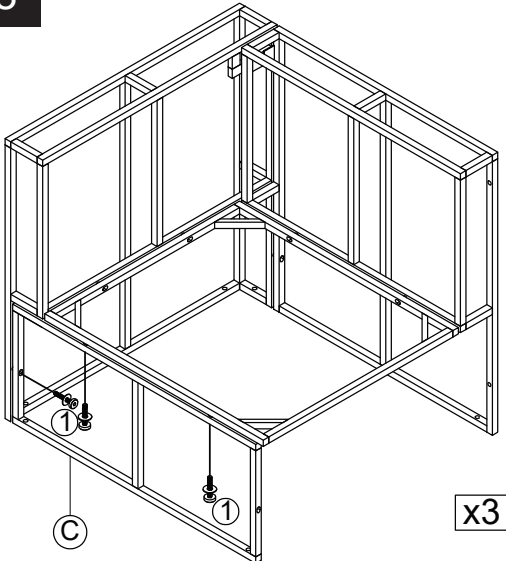
7

Adjustable bolt



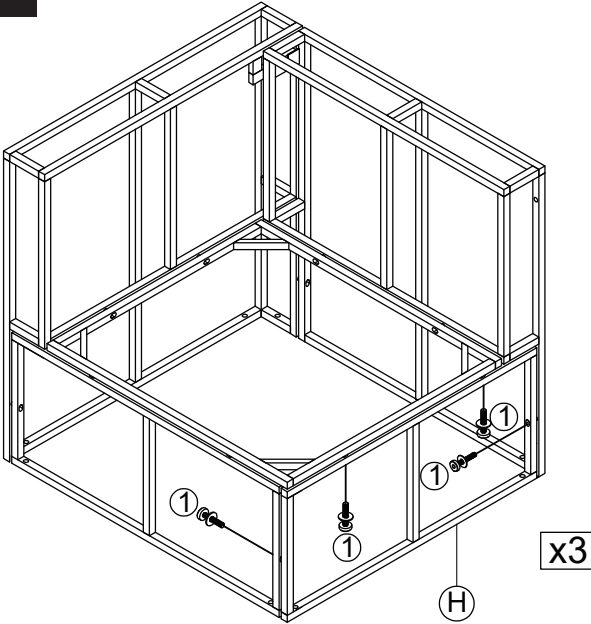
Connect Part from STEP 6
& Big corner Frame (E)
with Bolt (1) & Washers (3)

8



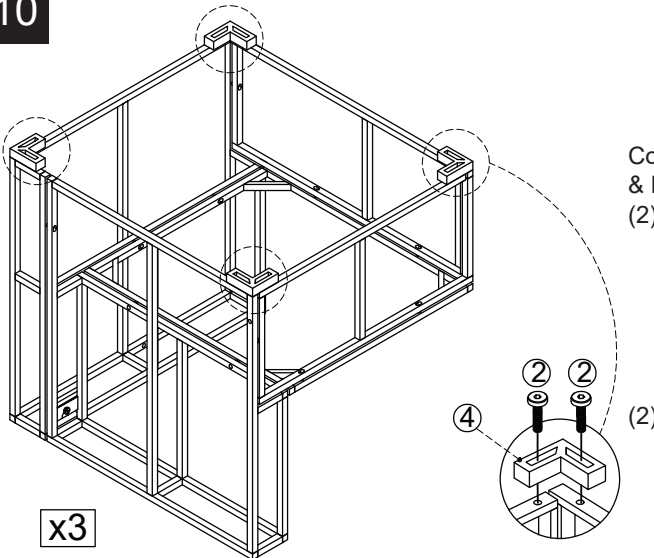
Connect Part from STEP 7
& Side Frame (C) with
Bolt (1) & Washers (3)

9



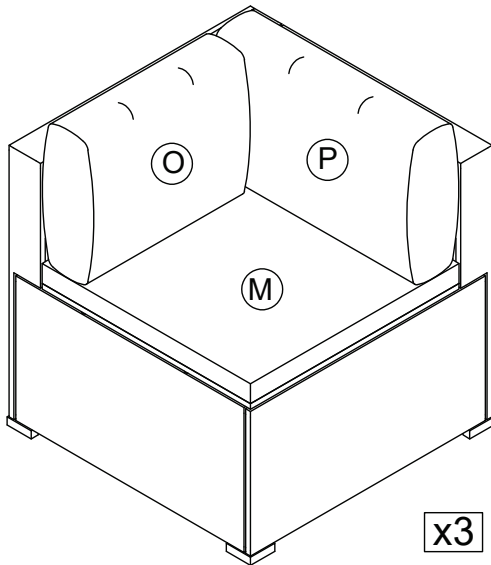
Connect Part from STEP 8
& Corner front Frame (H)
with Bolt (1) & Washers (3)

10



Connect Part from STEP 9
& Plastic feet (4) with Bolt (2)

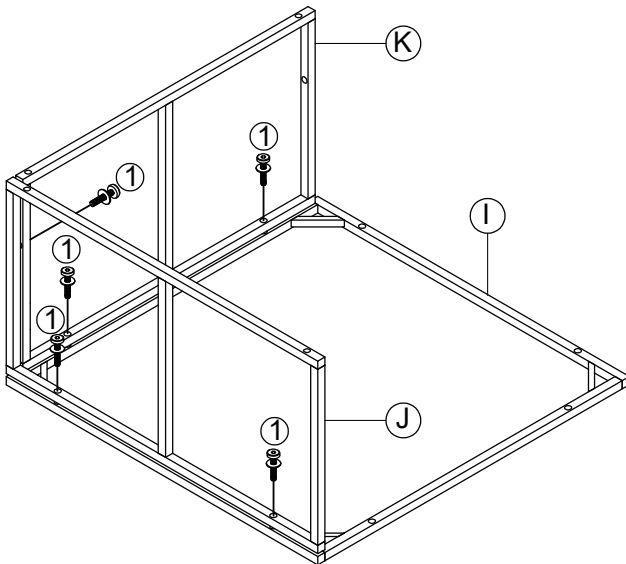
11



Put on Corner Seat Cushion (M) & Big Corner Pillow (P) & Small Corner Pillow (O) to complete Corner Sofa

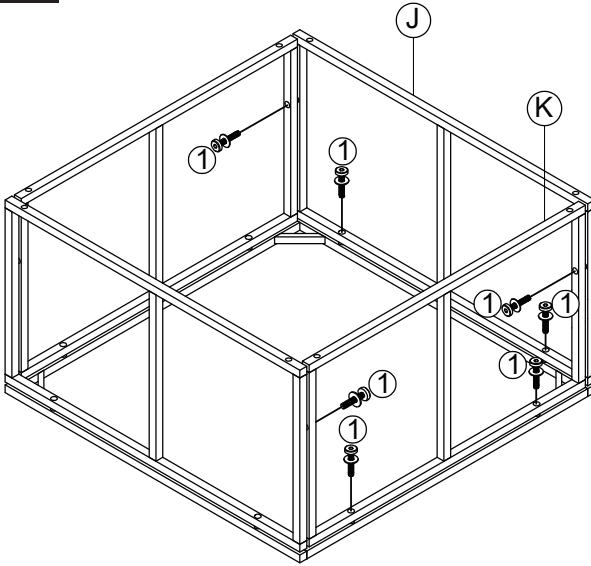
12

(1 x Table assembly)



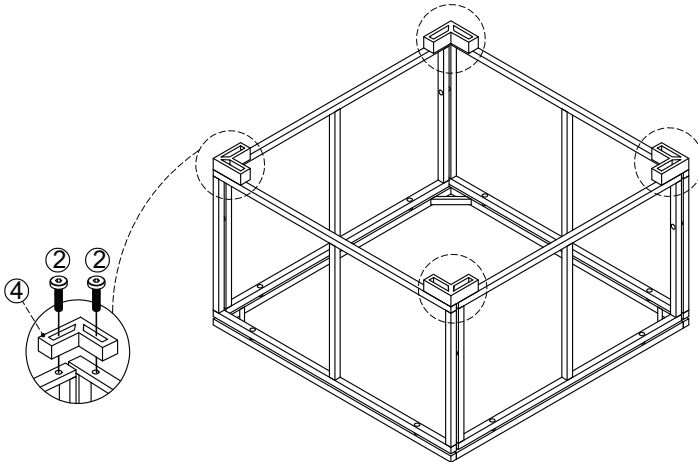
Connect Table top Frame (I) & Long side Table (J) & Short side Table (K) with Bolt (1) & Washers (3)

13



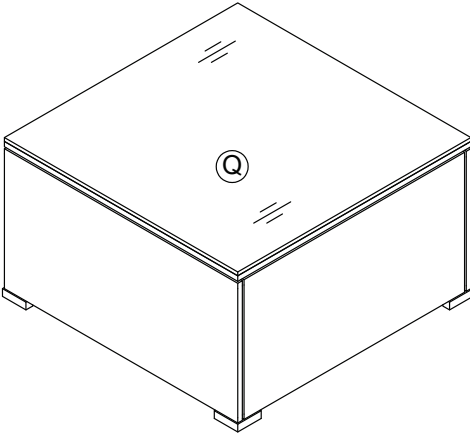
Connect part from STEP 12 & Long side Table(J) & Short side Table (K) with Bolt (1) & Washers (3)

14



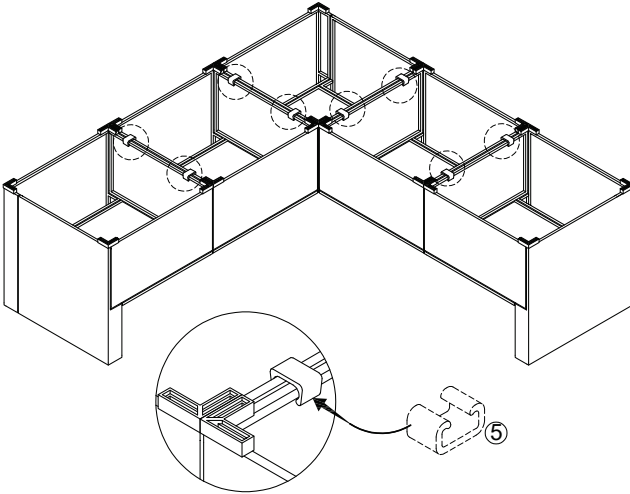
Connect Part from STEP 13 & Plastic feet (4) with Bolt (2)

15

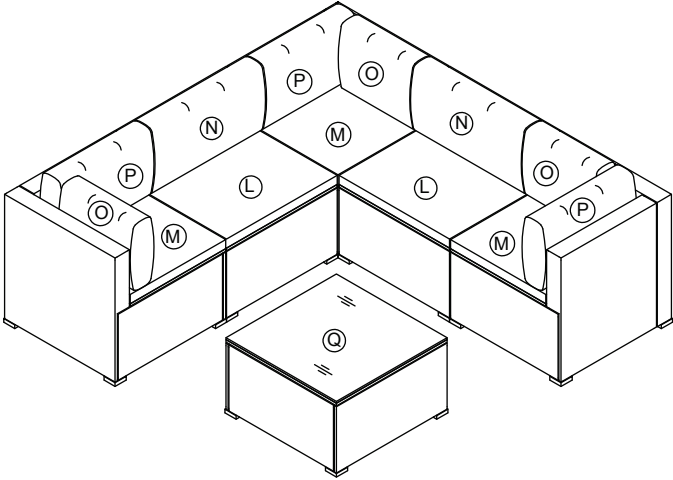


Put on Table Glass (Q) to complete Table

16



Connect 2 Armless sofa & 3 Corner sofa with Plastic Sofa connector (5)



Combination and Arrangement

