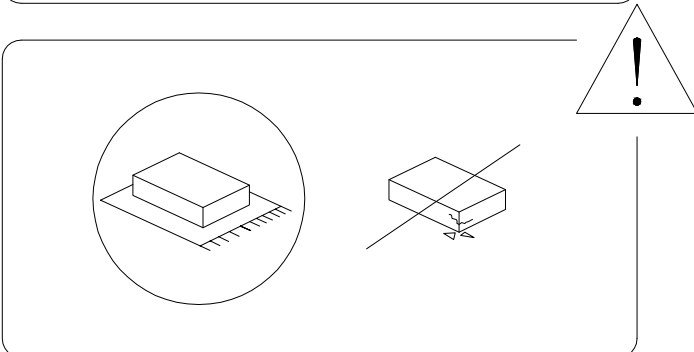
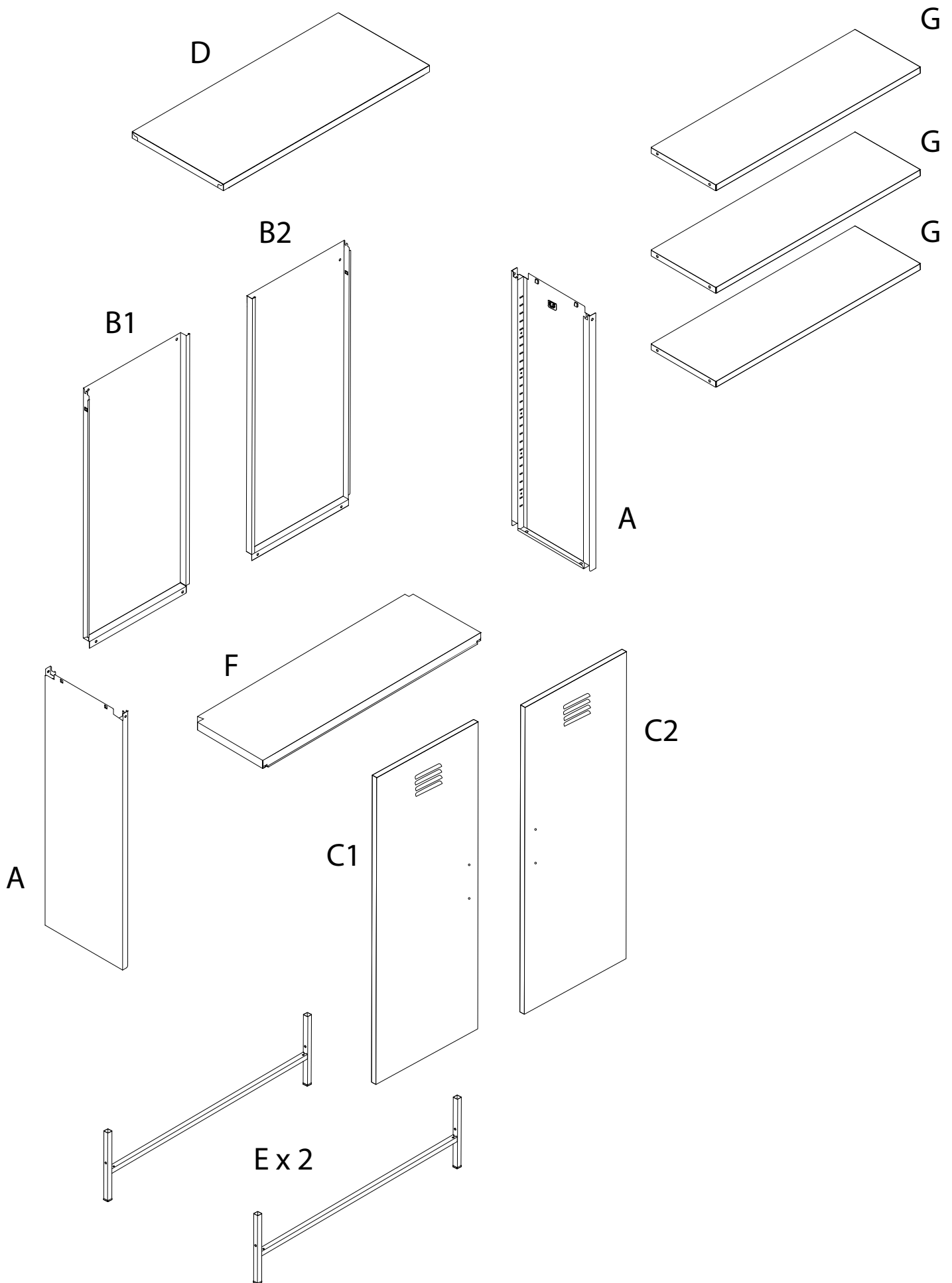


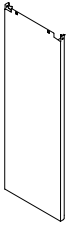
40'



1



A



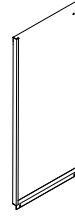
x 2

B1



x 1

B2



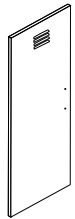
x 1

C1



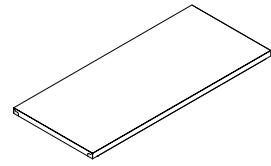
x 1

C2



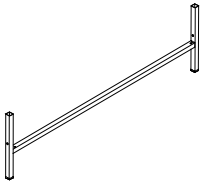
x 1

D



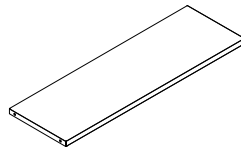
x 1

E



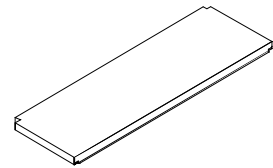
x 2

F



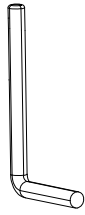
x 1

G



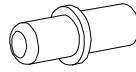
x 3

1



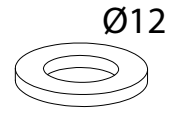
x 1

2



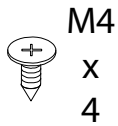
x 2

3



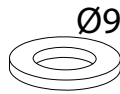
x 2

4



x 4

5



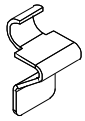
x 4

6



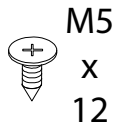
x 2

7



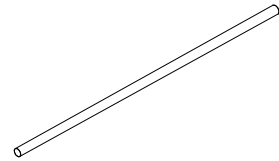
x 12

8



x 5

9



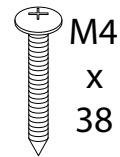
x 1

10



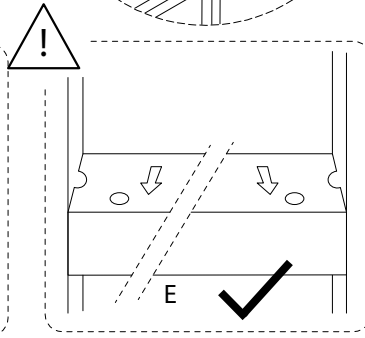
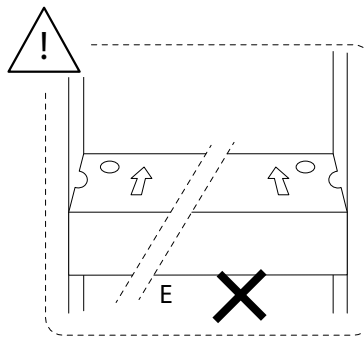
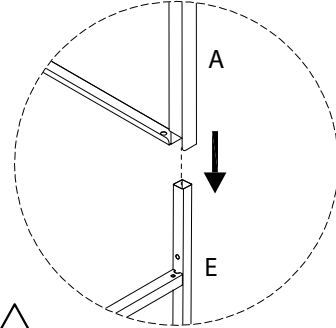
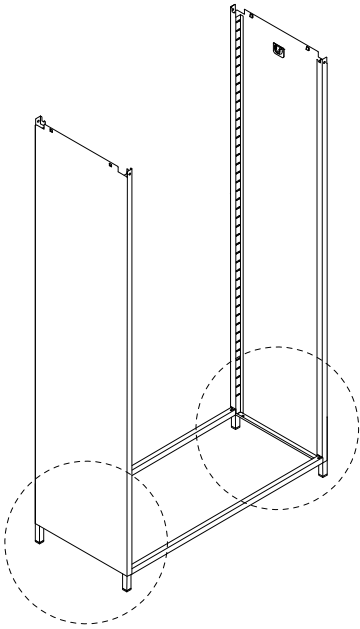
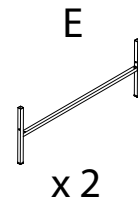
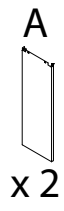
x 2

11

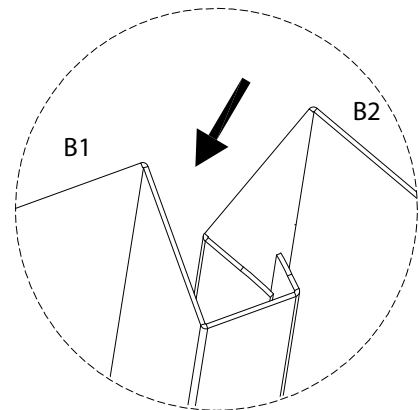
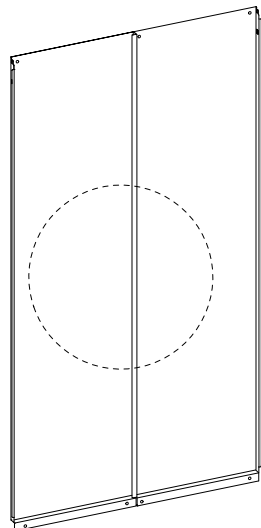


x 2

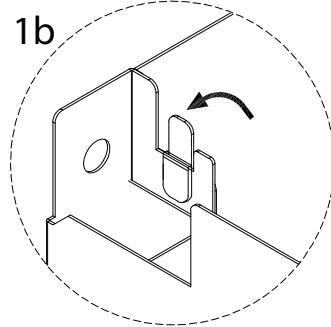
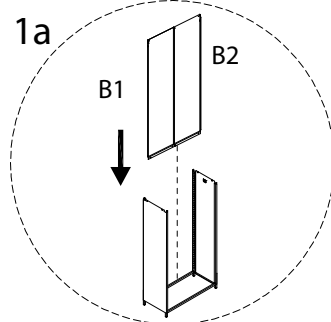
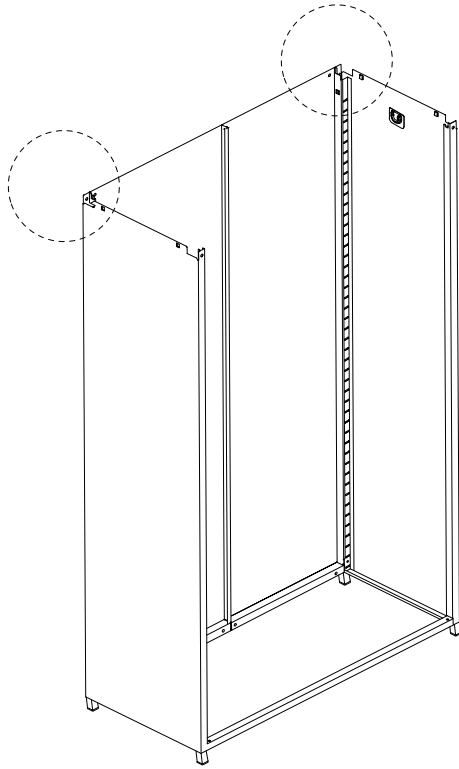
1



2



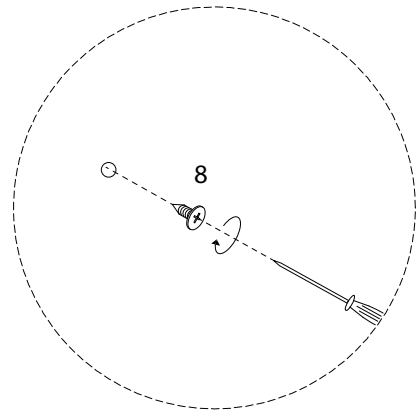
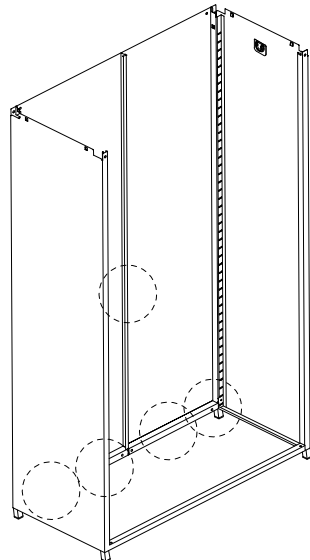
3



4

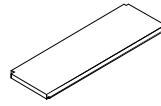
8

M5
x
12
x 5

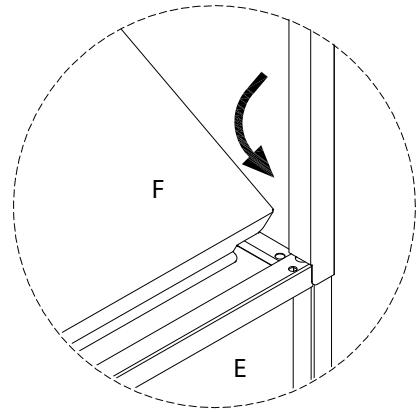
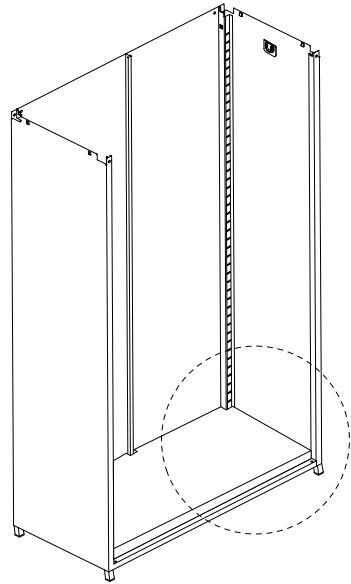


5

F

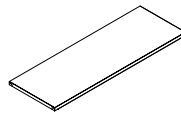


x 1

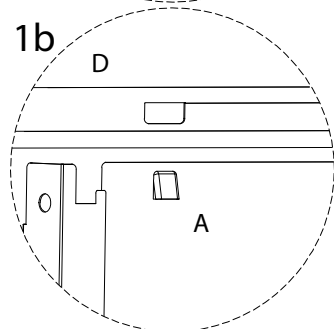
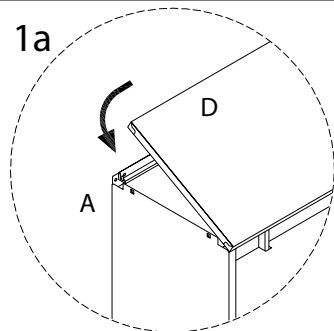
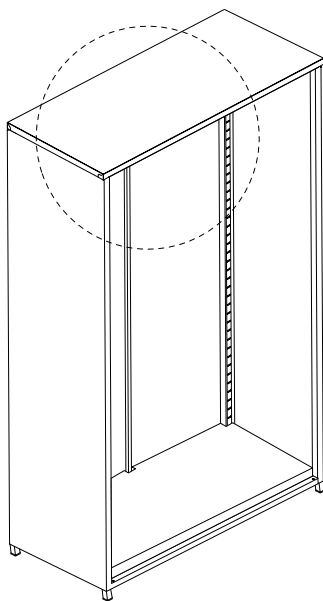


6

D

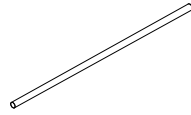


x 1

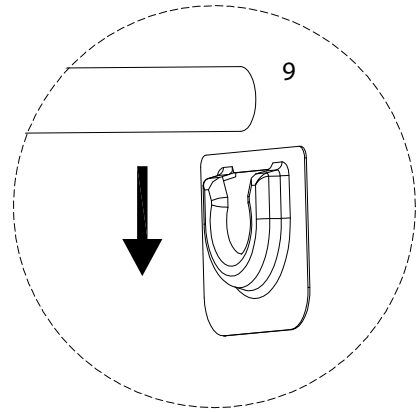
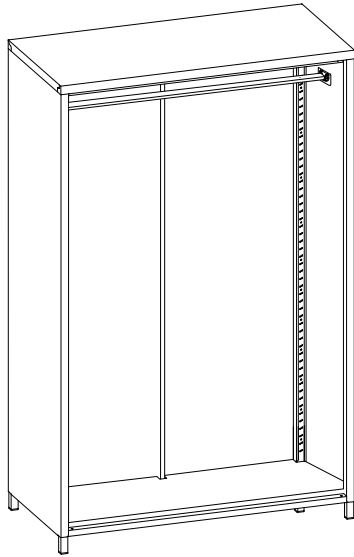


7

9



x 1

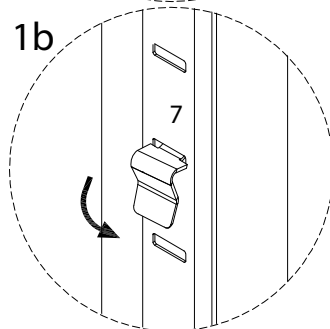
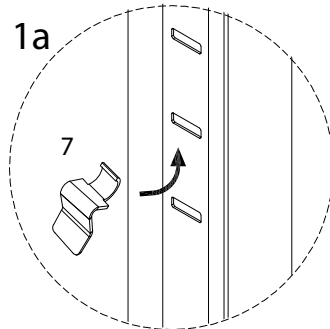
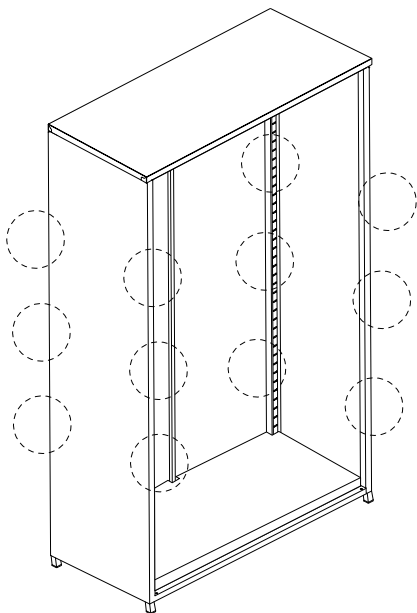


8

7

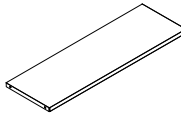


x 12

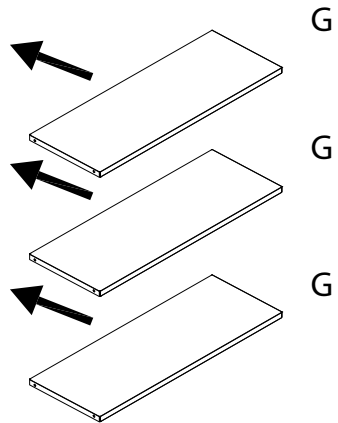
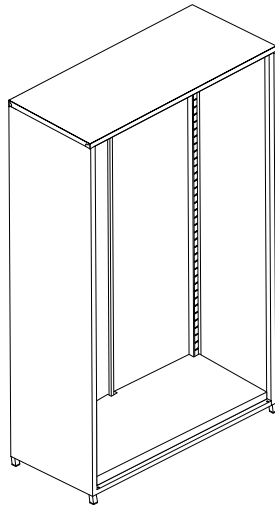


9

G



x 3



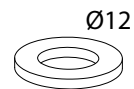
10

2

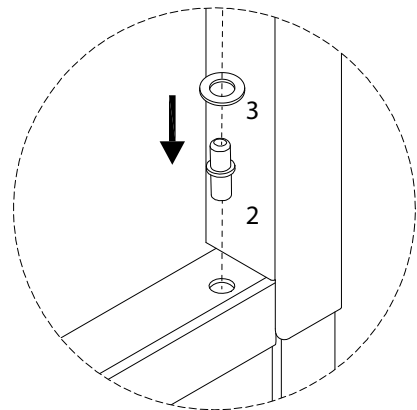
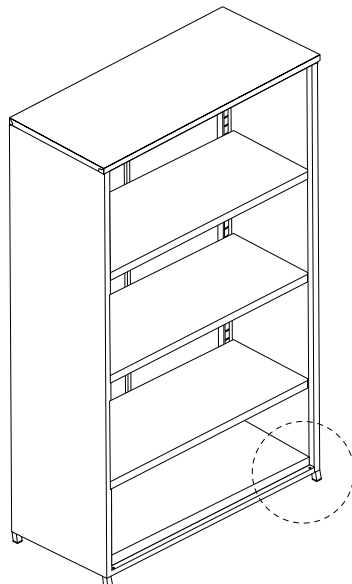


x 2

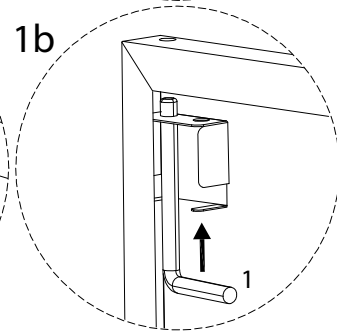
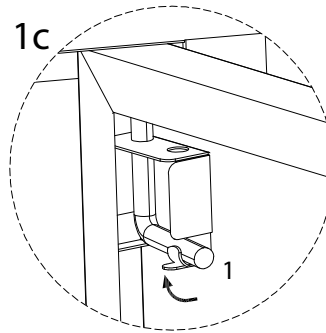
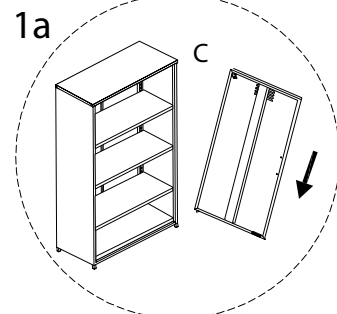
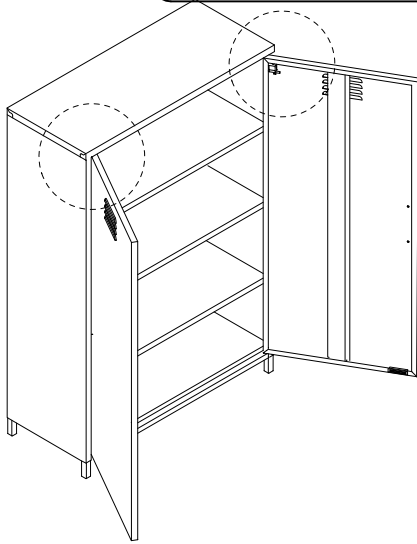
3



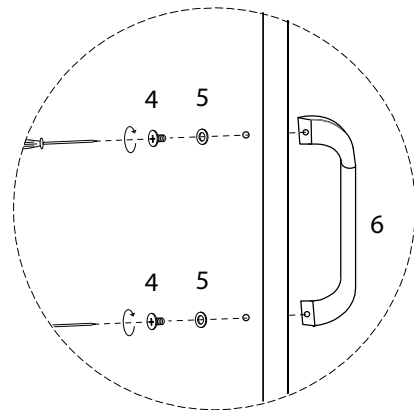
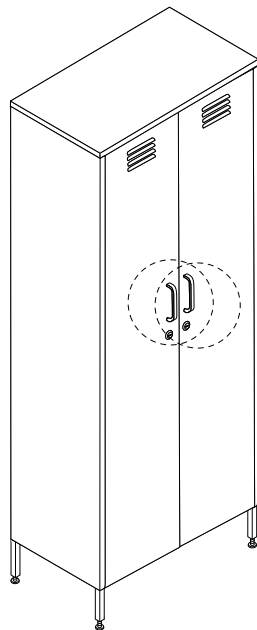
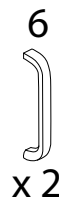
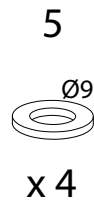
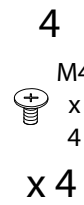
x 2



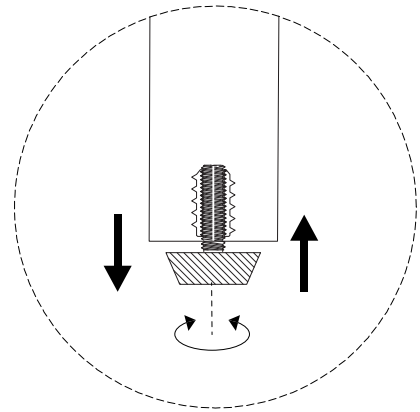
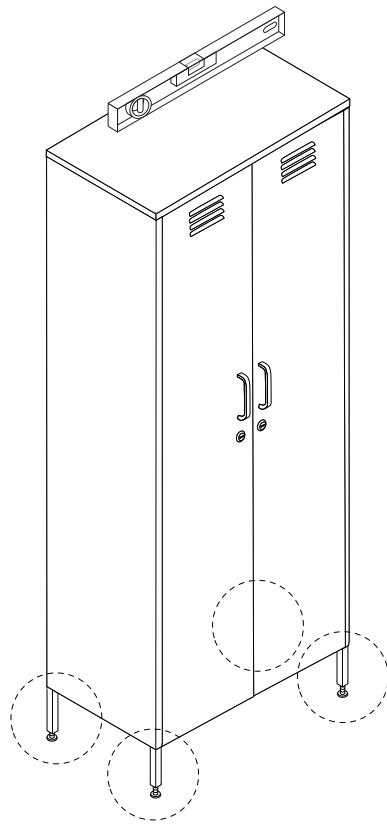
11



12



13



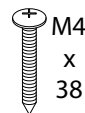
14

10



x 2

11



x 2

