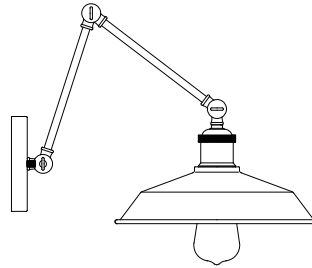


L I G H T I N G

Assembly Instruction

CAUTION: Read instruction carefully and turn electricity off at main circuit breaker panel before beginning installation.

Size:23"L X 10.25"W X 8"H



Care and Cleaning





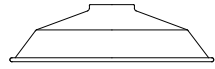
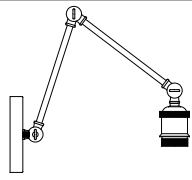


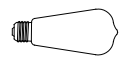
To clean the outside fo the fixture,use a dry or slightly dampened clean cloth(use clean water,never a solvent)to wipe the surface of the fixture.

To clear the inside of the fixture,first disconnect power to the fixture by turning off the circuit breaker or by removing the fuse at the fuse box.Next,use a dry or slightly dampened clean cloth(use clean water,never a solvent) to wipe the interior surface of the fixture

Do not use any cleaners with chemical,solvents or harsh abrasives.Use Only a dry soft cloth to dust or wipe carefully.

Estimated Assembly Time: 30 minutes

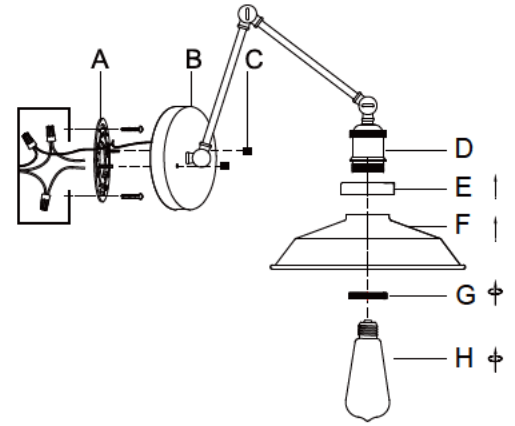
Part List and Hardware List

PIECE	DESCRIPTION	PICTURE	QUANTITY	PIECE	DESCRIPTION	PICTURE	QUANTITY
A	Mounting bracket		1X	C	Ball nut		2X
				E	Metal cap		1X
A1	Mounting screw		2X	F	Metal shade		1X
B	Fixture body		1X	G	Socket ring		1X
B1	Wire Nut		3X	H	Bulb		1X

Installation

Step 1

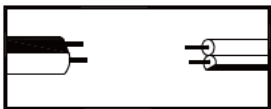
1. Attach the metal cap (E) and metal shade (F) to the lampholder (D) with socket ring (G).
2. Adjust the rocker to be an appropriate height, then place the bulb (H) to the socket.



Note: PLEASE USE ON/OFF TYPE "B" BULB MAX 60-WATT
 OR CFL BULB MAX 13-WATT
 OR LED BULB MAX 9-WATT
 THERE IS 1PC LED 4-WATT BULB IN THE BOX

Step 2 Wire Connection

Connect, Hot, Black or Red outlet Supply Wire to:	Connect, Neutral, White Outlet Supply Wire to:
Black	White
* Parallel Cord (round & smooth)	* Parallel Cord (square & ridged)
Clear, Brown, Gold or Black without Tracer (colored stripes)	Clear, Brown, Gold or Black without Tracer (colored stripes)
Insulated Wire (not green) with copper metal conductor	Insulated Wire (not green) with Silver metal conductor



*Note: When parallel wire (SPT I & SPT II) is used. The neutral wire is square shaped and ridged and the hot wire will be round in shape and smooth. (See illustration on left.)

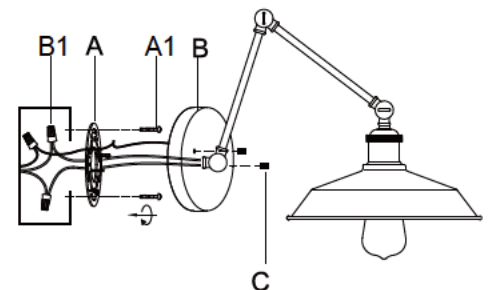


Grounding Instructions:

- a) For installation in the United States: Wrap ground wire from outlet box around green ground screw on mounting bracket, no less than 2" from wire end. Tighten ground screw. If fixture is supplied with a ground wire, connect to outlet ground wire with a wire connector.
- b) For installation in Canada: If fixture is supplied with ground wire, wrap ground wire around green grounding screw on mounting bracket. Tighten ground screw.

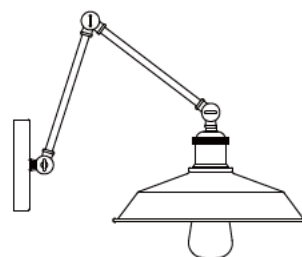
Step 3

Attach the mounting bracket (A) to the junction box with mounting screw (A1), secure the fixture body (B) with ball nut (C).



Step 4

Consult a qualified electrician to ensure correct branch circuit conductor



ENJOY YOUR LAMP