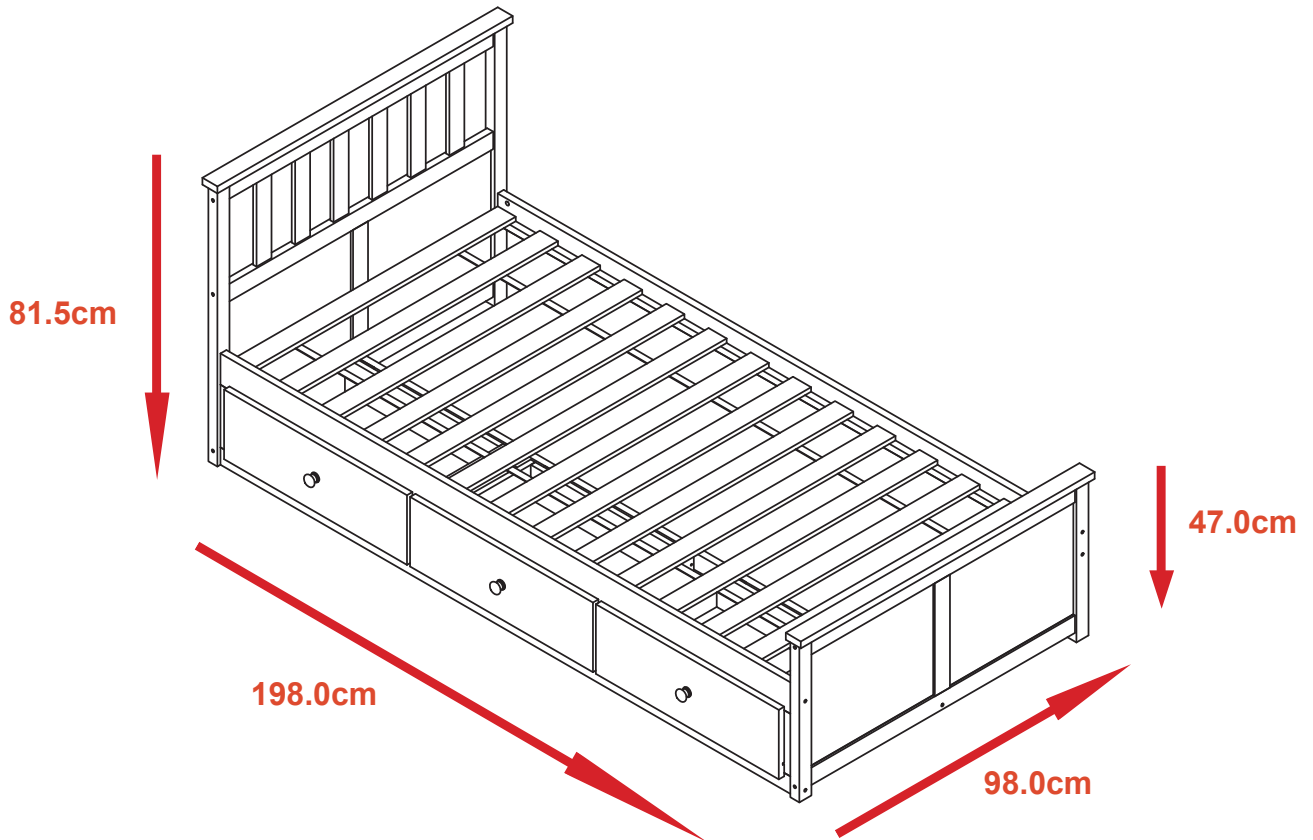



# GLOBAL PROCUREMENT AND MARKETING LIMITED

Product Name Here

Assembly Instructions – Please keep for future reference




	No. people	Assembly Time	OW #
Width: 98.0 cm Depth: 198.0 cm Height: 81.5 cm		approx. 60 mins	A

**Important – Please read these instructions fully before starting assembly**


If you need help or have damaged or missing parts, please email.

## Safety and Care Advice

**Important – Please read these instructions fully before starting assembly**

- Check you have all the components, parts, hardware and tools listed on pages 3, 4.
- Remove all fittings from the plastic bags and separate them into their groups.
- Keep children and animals away from the work area, small parts could choke if swallowed.
- Make sure you have enough space to lay out the parts before starting.
- Do not stand or put weight on the product, this could cause damage.
- Assemble the item as close to its final position (in the same room) as possible.
- Assemble on a soft, level surface to avoid damaging the unit or your floor.
- We do not recommend the use of power drill/drivers for inserting screws, as this could damage the unit.  Only use hand screwdrivers.
- Dispose of all packaging carefully and responsibly.

### HELPFUL HINTS

- Please read through the assembly instructions thoroughly before you begin.
- Check all fittings and panels against the parts list to ensure that you have everything before you start. In the unlikely event that any parts are missing, please contact your retailer immediately.
- Remove all fittings from the plastic bags and separate them into their groups in a bowl or other container to stop any small parts being lost.
- Do not use any tool that's not listed in these assembly instructions. The use of power tools is NOT advised, this could damage your product and cause over tightening to occur.
- Assemble the item as close to its final position (in the same room) as possible.
- Make sure you have enough space to layout the parts before starting.
- Assemble on a soft level surface to avoid damaging the unit or your floor.
- Parts of the assembly will be easier with 2 people. Look for this logo 
- Check you have all the components and tools listed on the next page.

### SAFETY

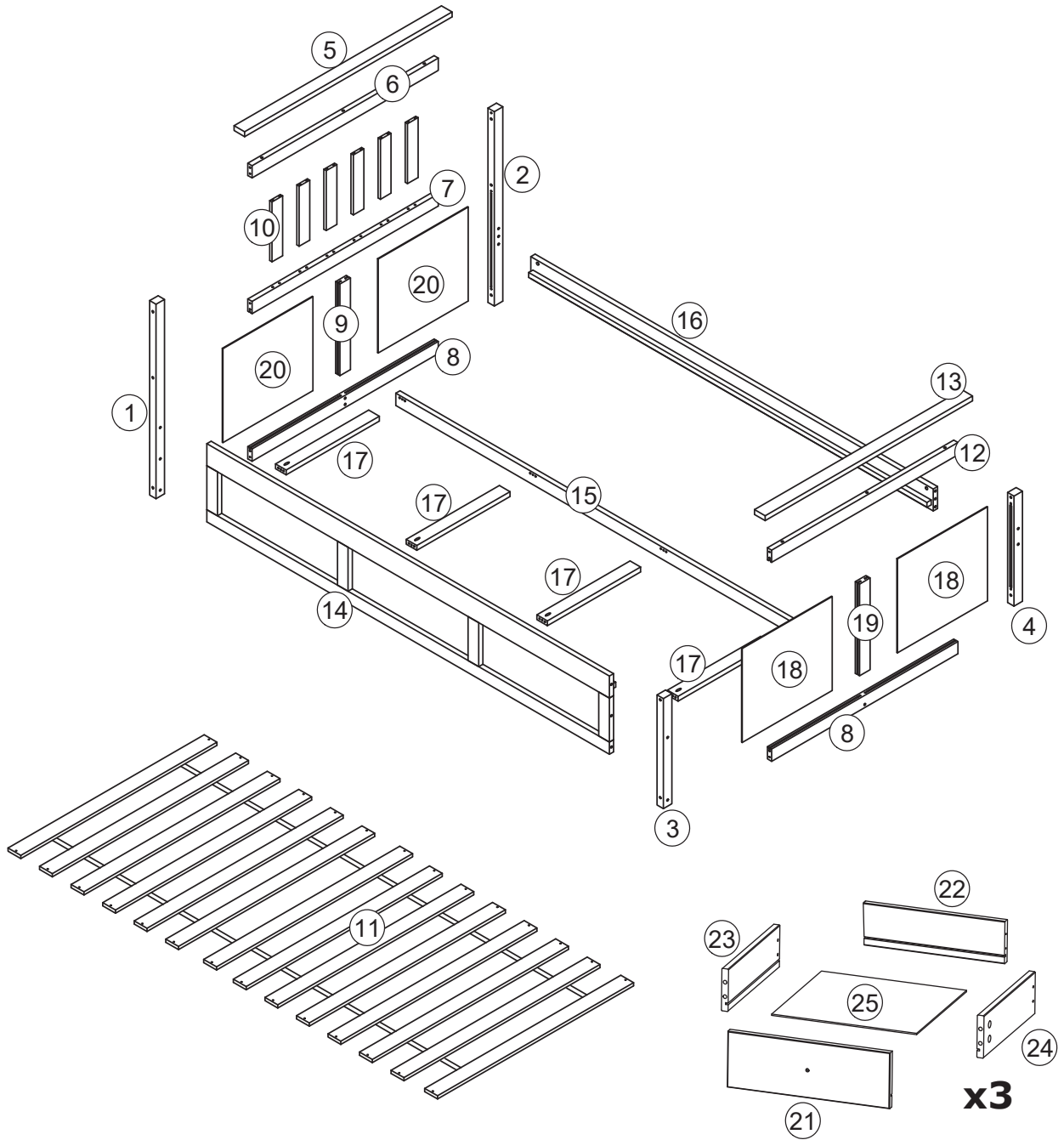
- Keep children and animals away from the work area, small parts could cause choking if swallowed.
- Dispose of all packaging carefully and responsibly.

### Care and Maintenance

- Only clean using a damp cloth and mild detergent, do not use bleach or abrasive cleaners.
- From time to time check that there are no loose screws on this unit.
- This product should not be discarded with household waste. Take to your local authority waste disposal centre.

**If you are unhappy with the product and wish to return it, please follow the retailer's returns procedure.**

# Components – Parts



# Components - Parts




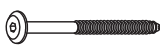

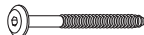







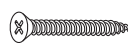




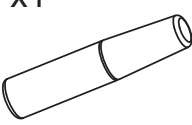
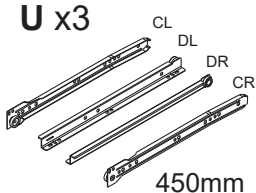

Please check that you have all the components listed below before constructing your item.

Part No	Description	Qty
1	Headboard Post - Left	1
2	Headboard Post - Right	1
3	Footboard Post - Left	1
4	Footboard Post - Right	1
5	Headboard Crown	1
6	Headboard Top Stretcher	1
7	Headboard Center Stretcher	1
8	Head Board / Footboard Bottom Stretcher	2
9	Headboard Vertical Partition Rail	1
10	Headboard Vertical Rail	6
11	Bed Slat	1
12	Footboard Top Stretcher	1
13	Footboard Crown	1
14	Left Siderail Drawer Carcase	1
15	Drawer Frame Centre Rail	1
16	Right Side Rail	1
17	Drawer Frame Cross Rail	4
18	Footboard panel board	2
19	Footboard Vertical Partition Rail	1
20	Headboard Panel board	2
21	Drawer Front Panel	3
22	Drawer Rear Panel	3
23	Drawer Left Side Panel	3
24	Drawer Right Side Panel	3
25	Drawer Base Panel	3

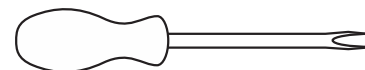
# Components - Fixings

**Please check that you have all the components listed below before constructing your item.**

**Note:** The quantities below are the correct amount to complete the assembly. In some cases more fittings may be supplied than are required.

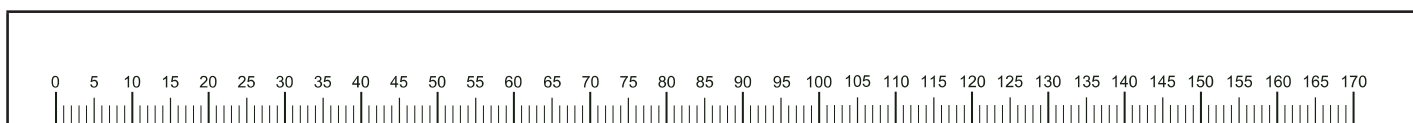
<b>A x6</b>  Wood Dowel Φ8x30mm	<b>B x58</b>  Wood Dowel Φ6x30mm	<b>C x10</b>  Bolt Φ6x70mm	<b>D x3</b>  Bolt M6x65mm	<b>E x8</b>  T-Nut
<b>F x3</b>  Bolt M6x50mm	<b>G x8</b>  Bolt M6x75mm	<b>H x2</b>  Bolt Φ6x50mm	<b>J x12</b>  Screw Φ5x50mm	<b>K x12</b> 
<b>L x12</b>  Φ6x40mm	<b>M x12</b>  Φ12x11mm	<b>N x1</b>  Allen Key M4	<b>O x8</b>  Screw Φ4x40mm	<b>P x28</b>  Screw Φ4x25mm
<b>Q x42</b>  Φ3.5x14mm	<b>R x3</b>  M4x22mm	<b>S x3</b> 	<b>T x1</b>  Wood Glue	<b>U x3</b>  450mm
<b>I x1</b>  Screw driver (not provided)				

## Tools Required



NOTE: SCREW DRIVER & HAMMER ARE NOT PROVIDED.

**Ruler** – Use this to measure your screws (mm)




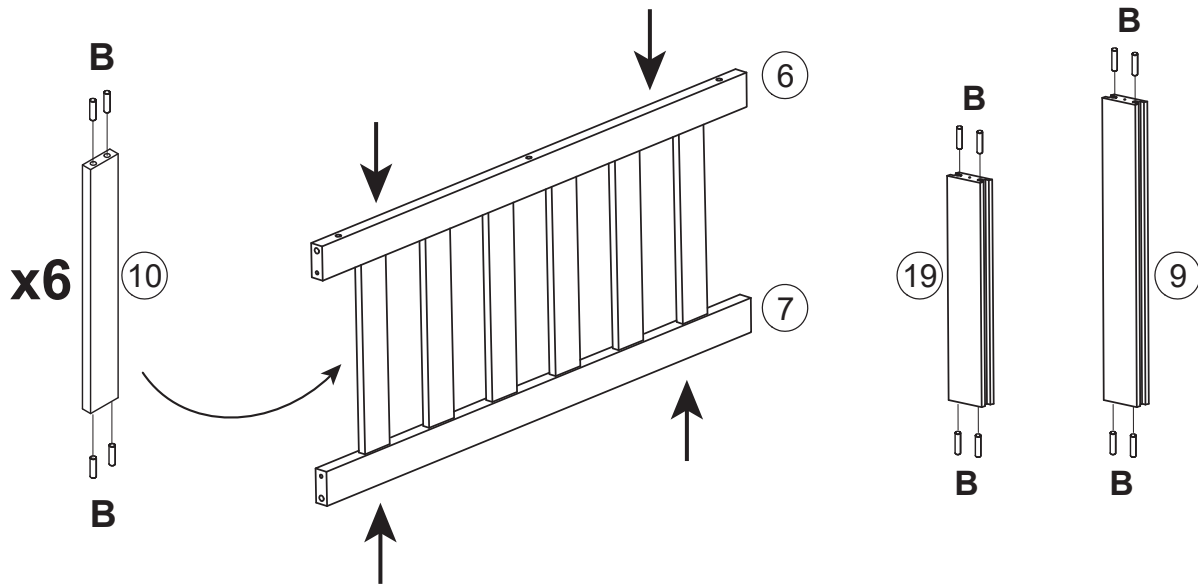
**Important** – Please read these instructions fully before starting assembly

If you need help or have damaged or missing parts, please email


# Assembly Instructions

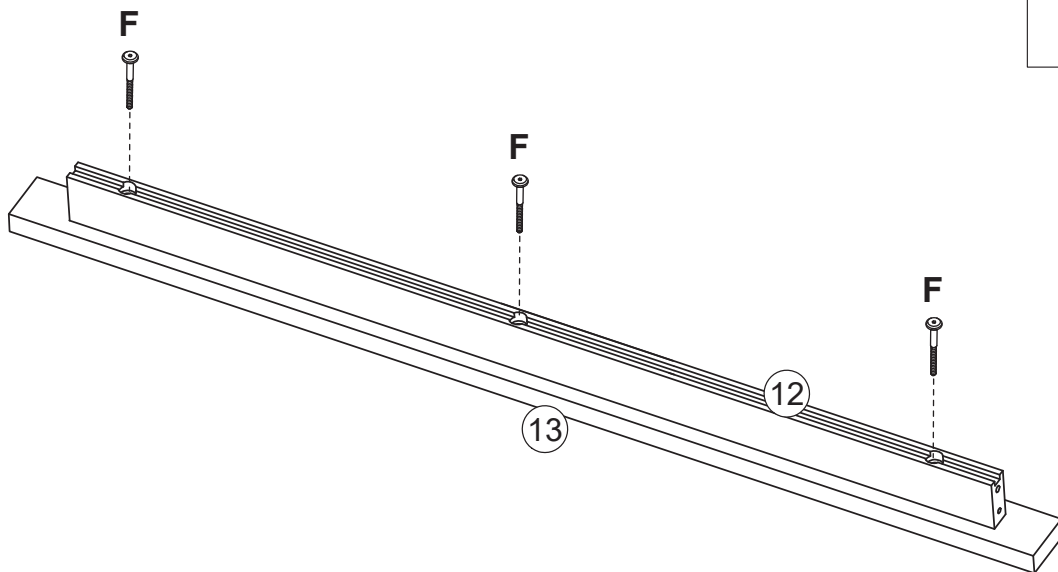
## Step 01

**B x32**  
  
Wood Dowel  
Φ6x30mm




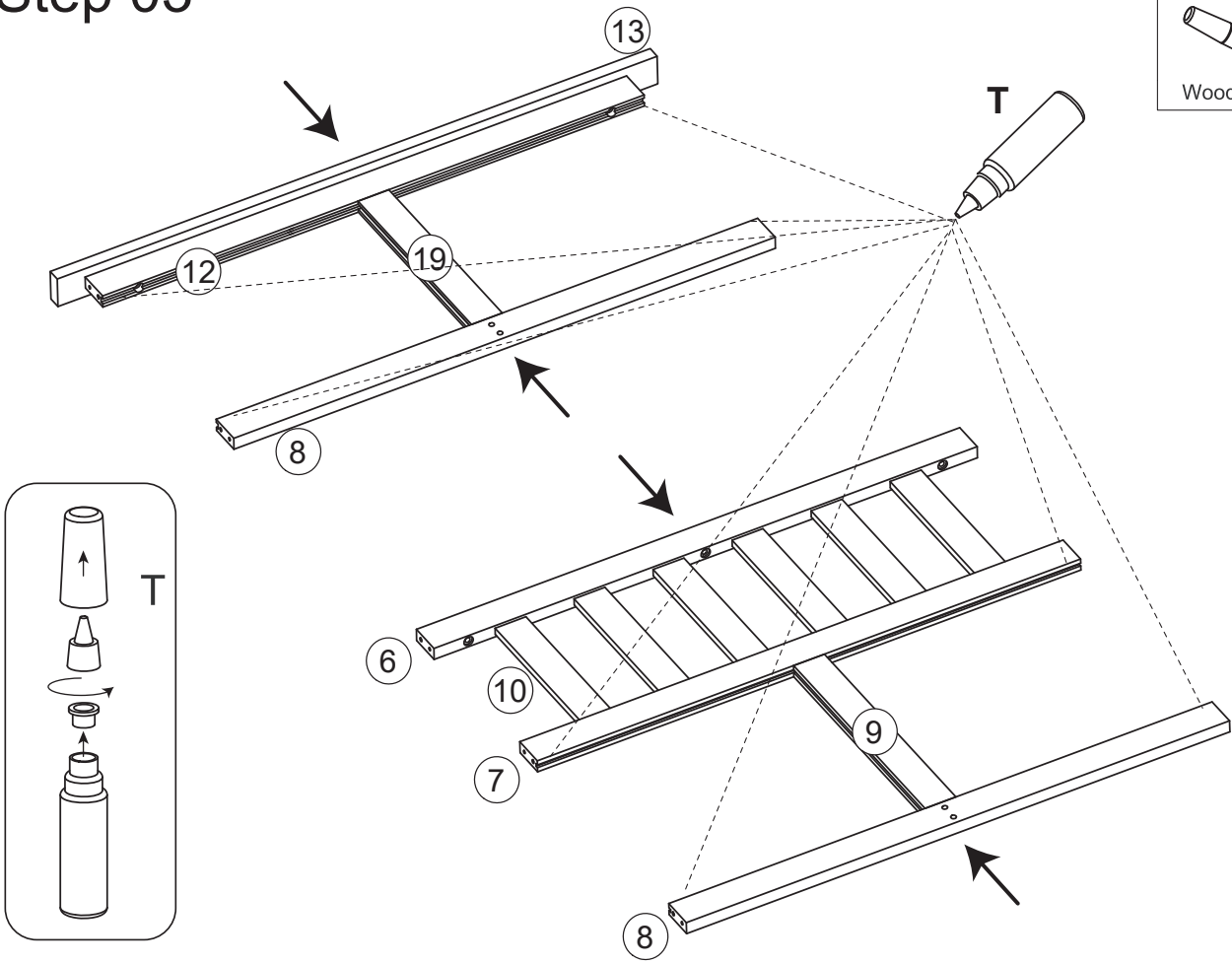
## Step 02

**F x3**  
  
Bolt  
M6x50mm




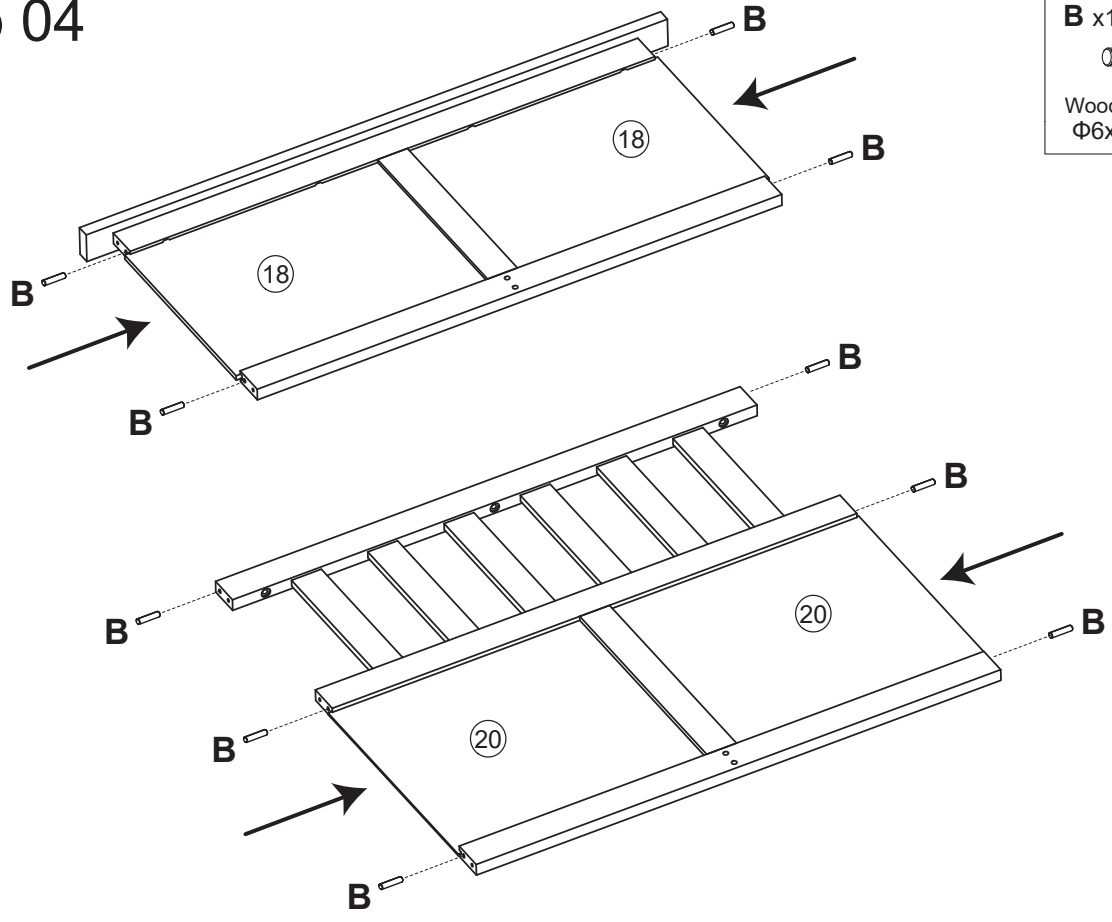
# Step 03

**T x1**  
  
Wood Glue




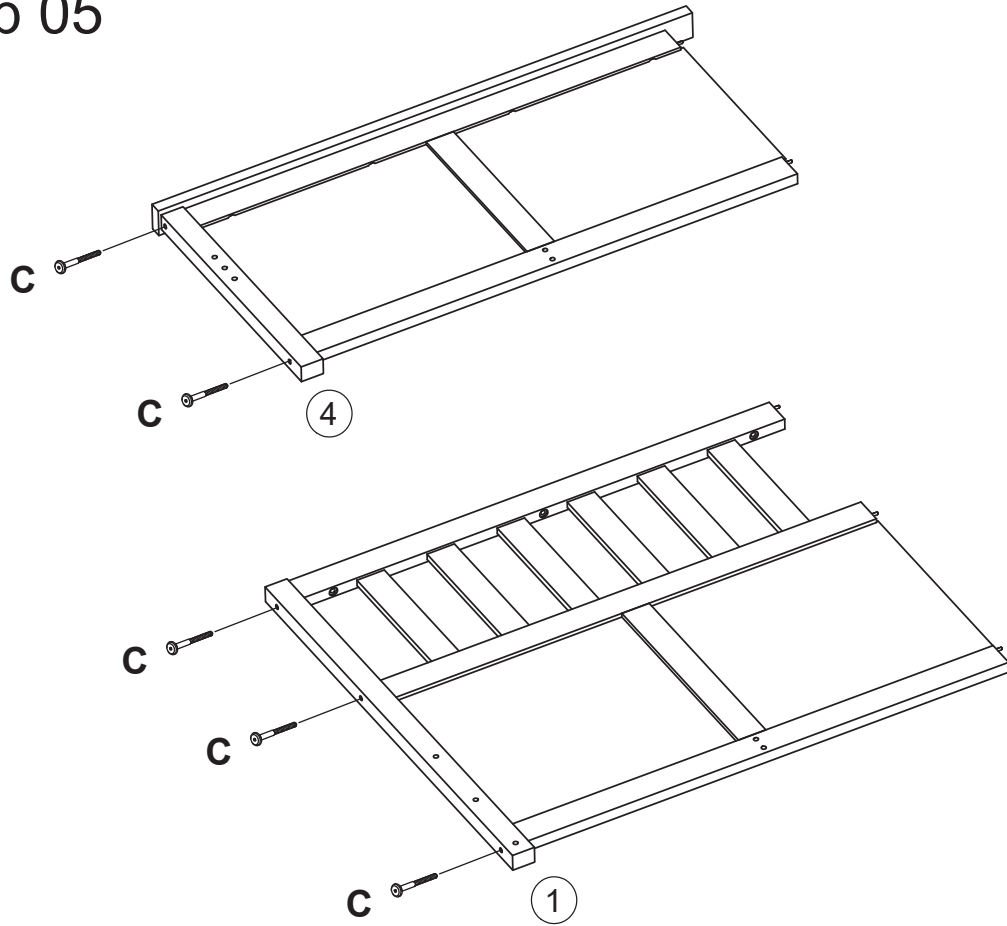
# Step 04

**B x10**  
  
Wood Dowel  
Φ6x30mm




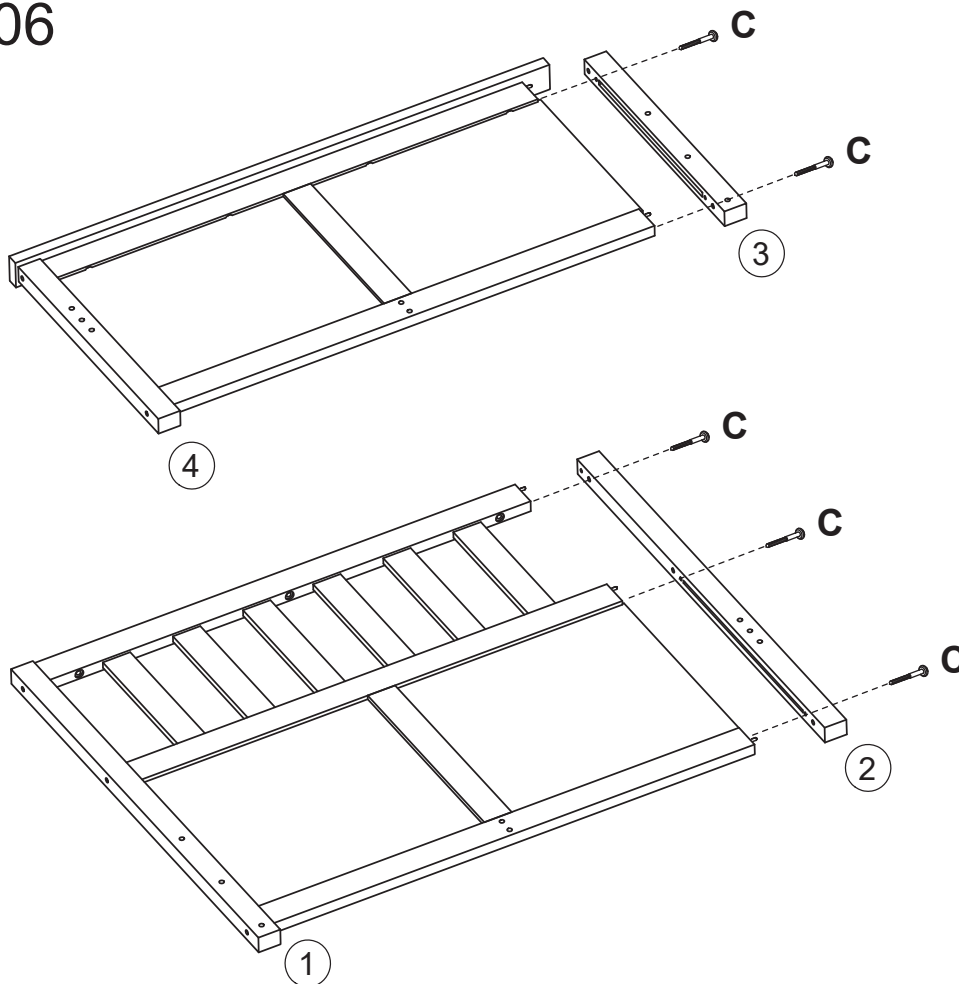
# Step 05

**C** x5  
  
Bolt  
Φ6x70mm




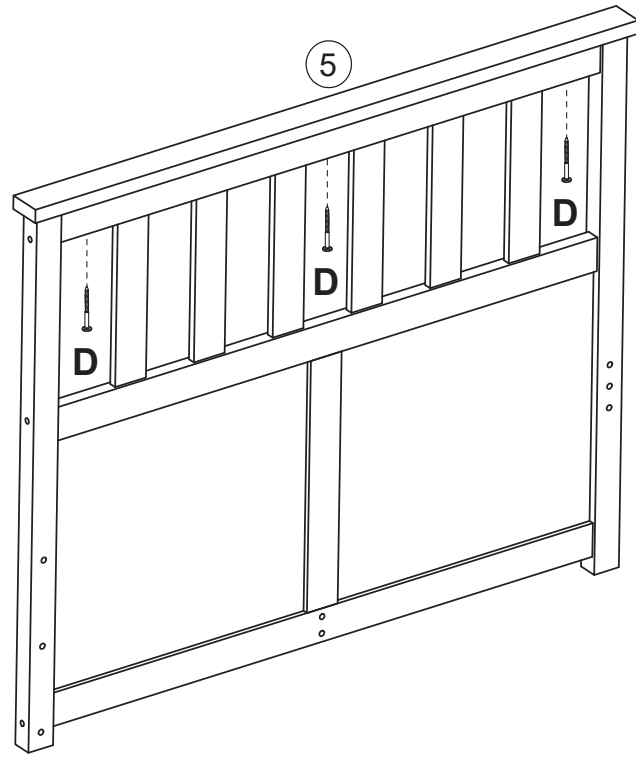
# Step 06

**C** x5  
  
Bolt  
Φ6x70mm





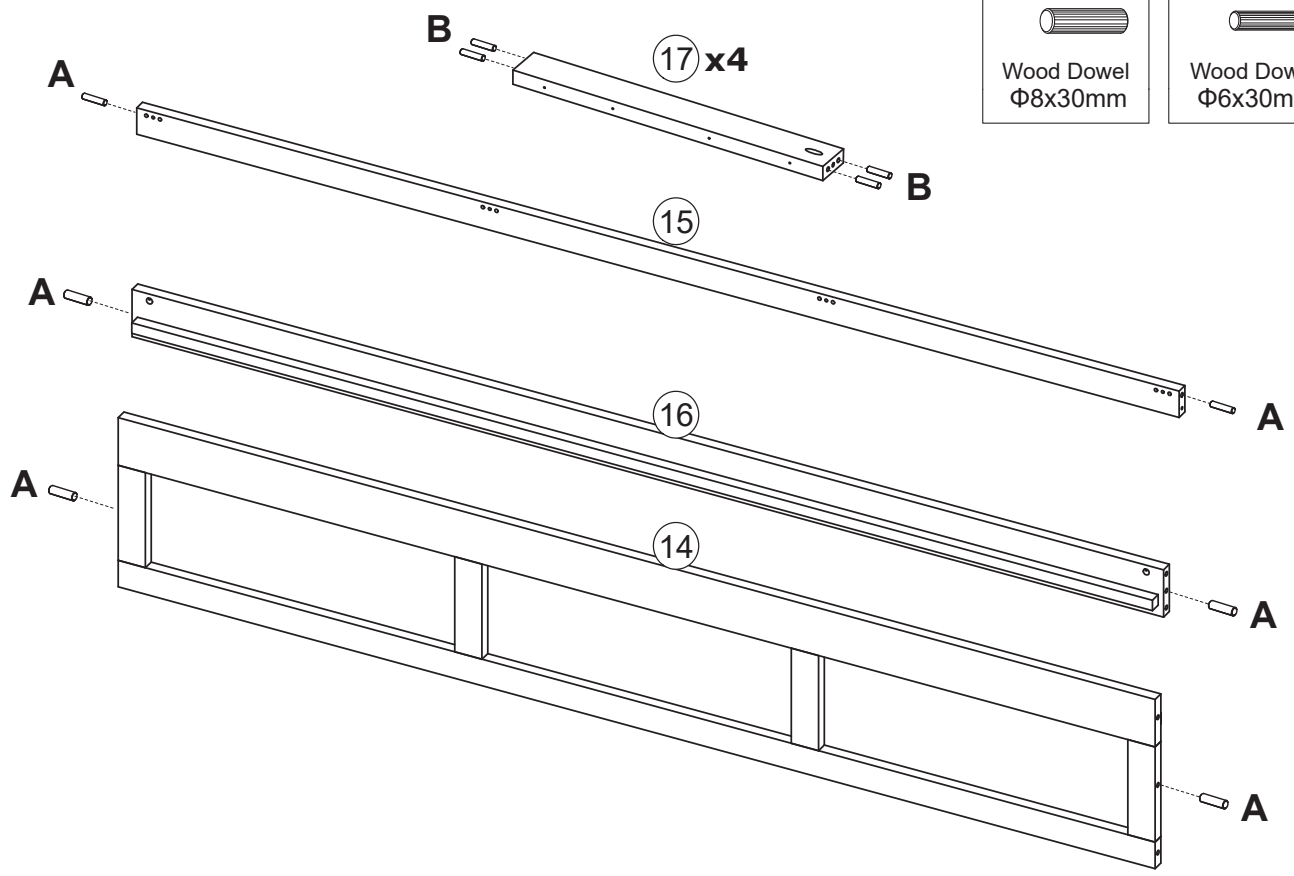
# Step 07

**D x3**  
  
Bolt  
M6x65mm

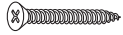


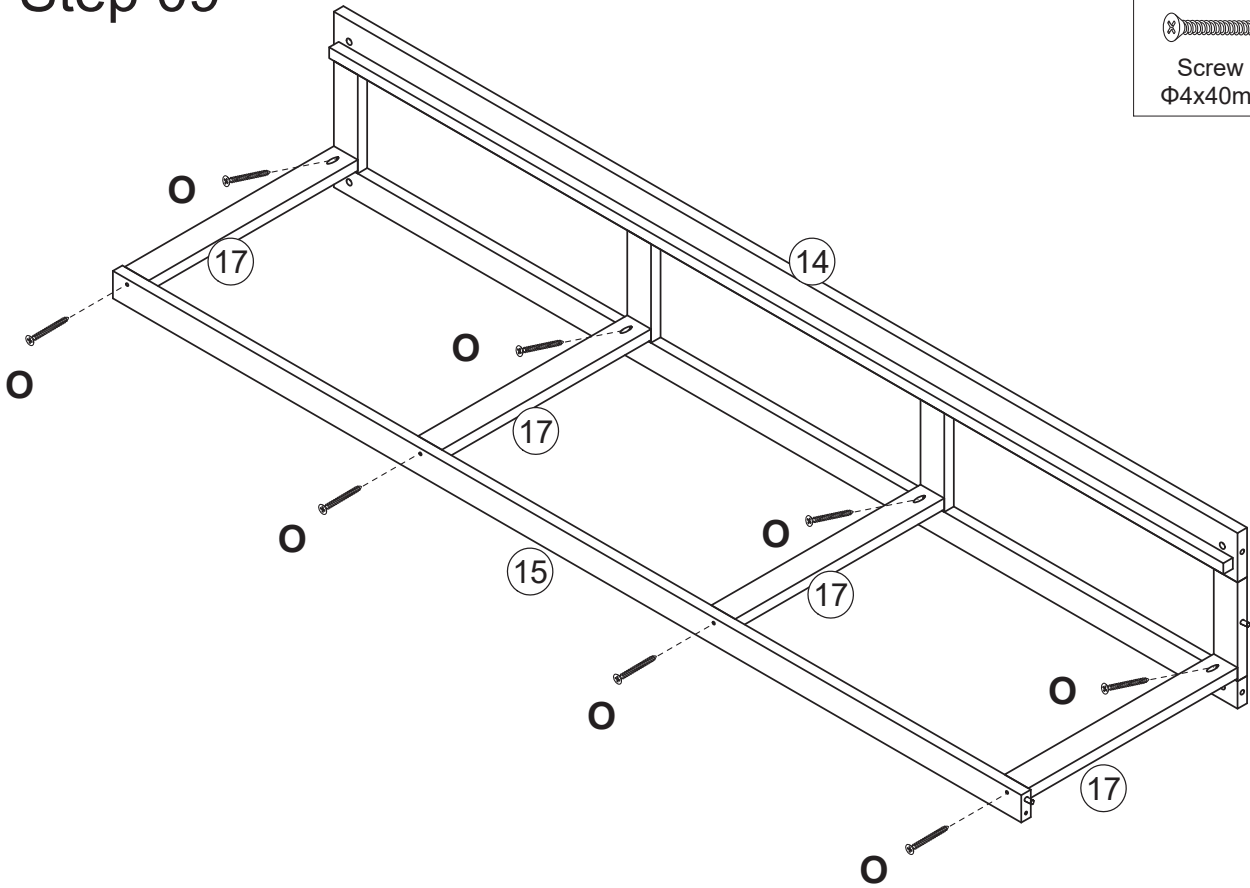
# Step 08

<b>A x6</b>  Wood Dowel Φ8x30mm	<b>B x16</b>  Wood Dowel Φ6x30mm
---	--




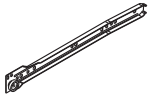
# Step 09

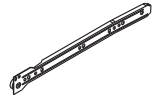
**O x8**  
  
Screw  
Φ4x40mm

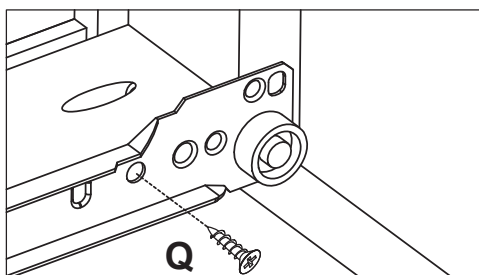
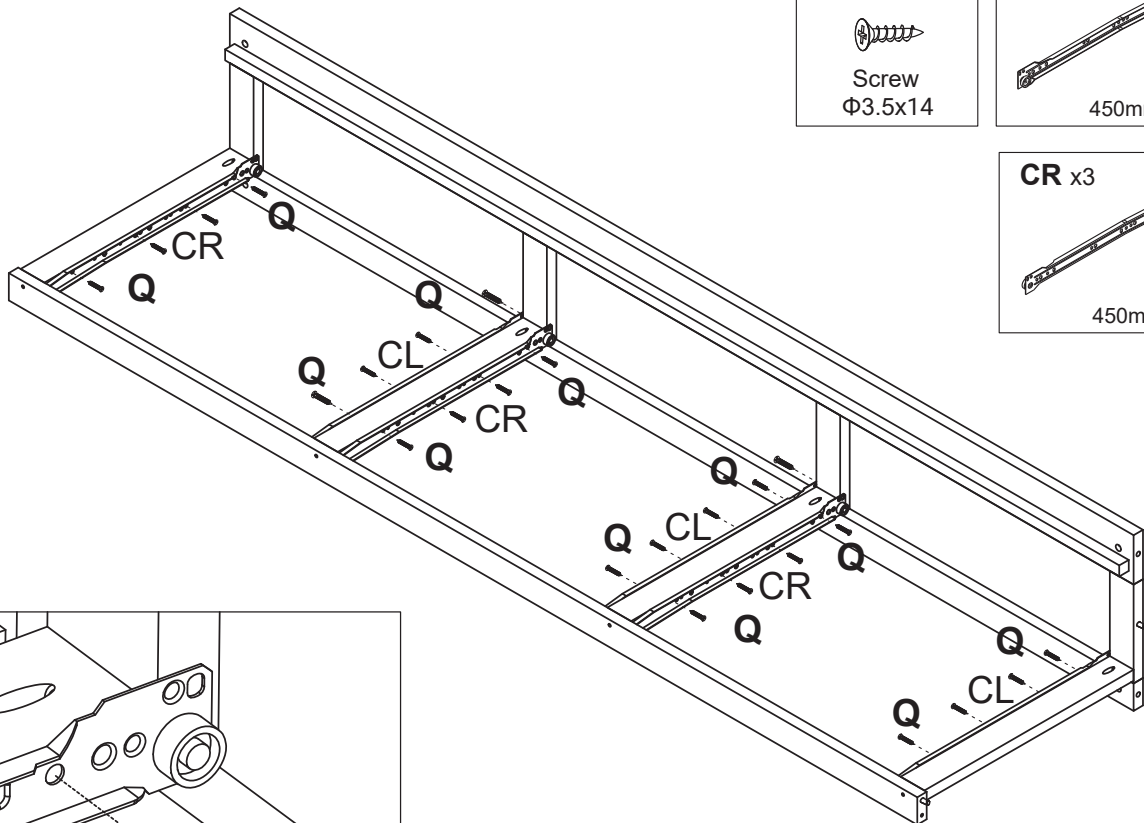


# Step 10

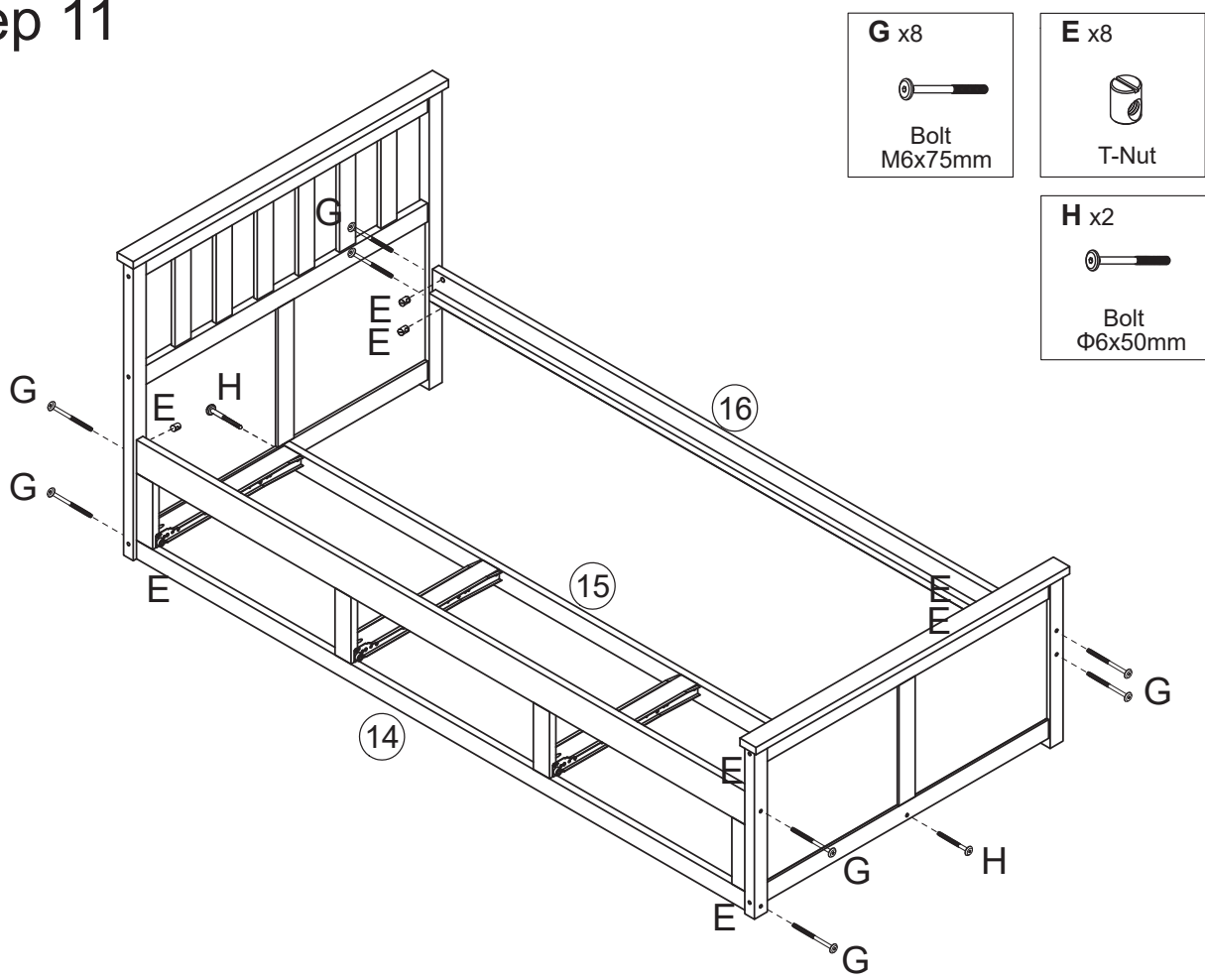
**Q x24**  
  
Screw  
Φ3.5x14

**CL x3**  
  
450mm

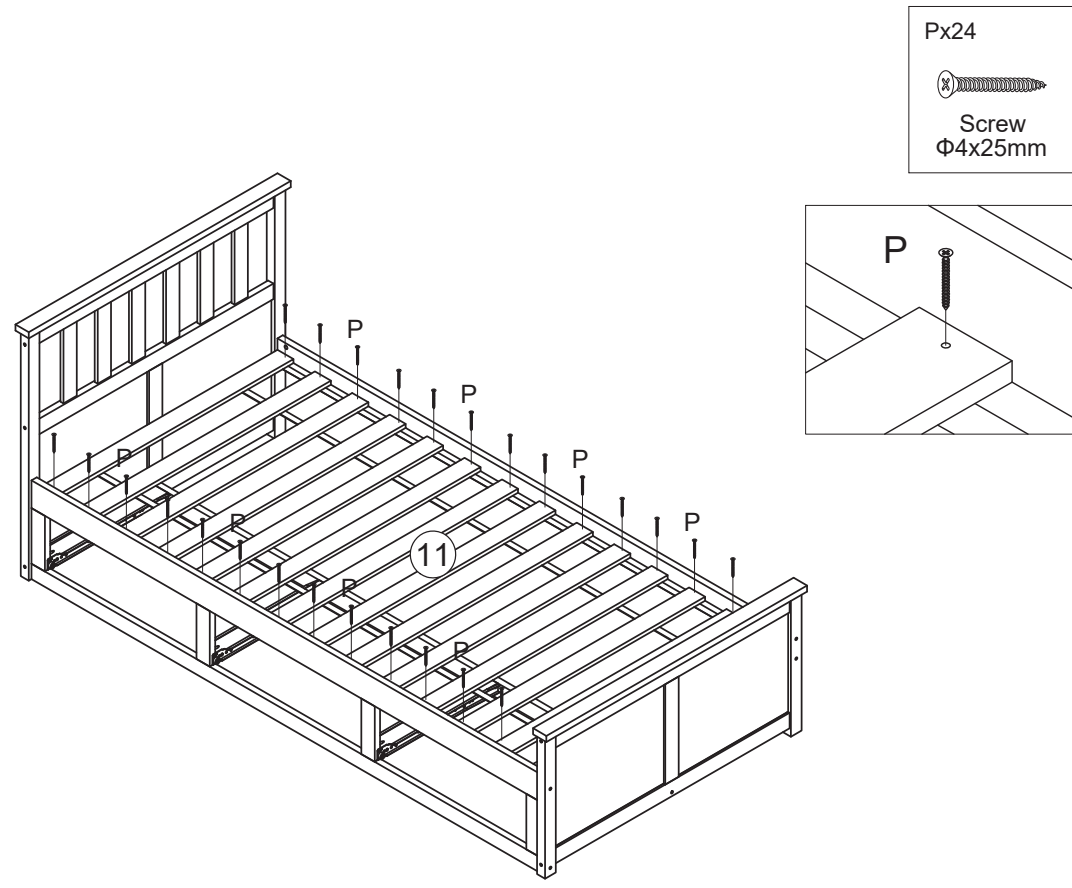
**CR x3**  
  
450mm



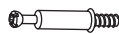

# Step 11

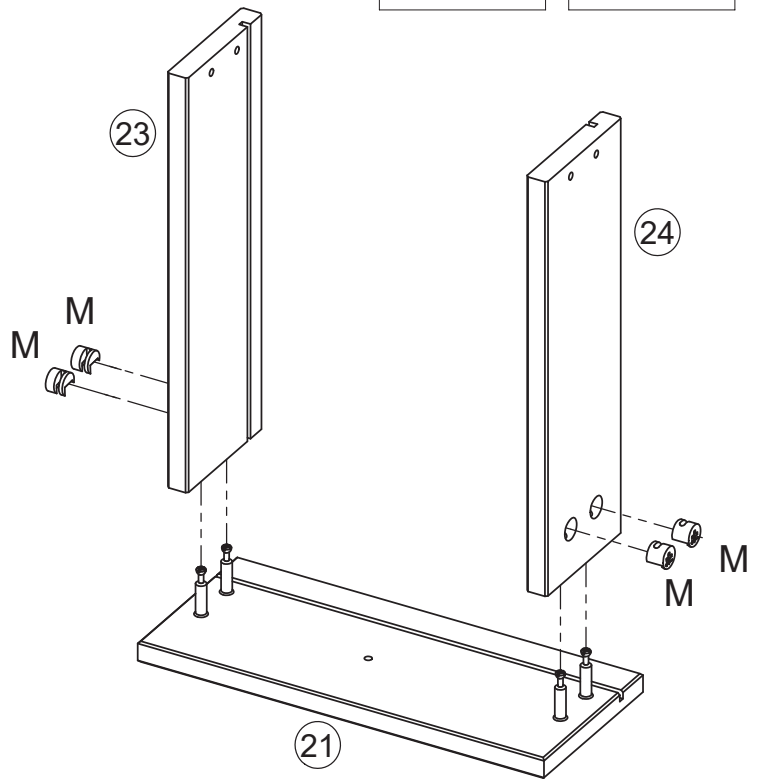
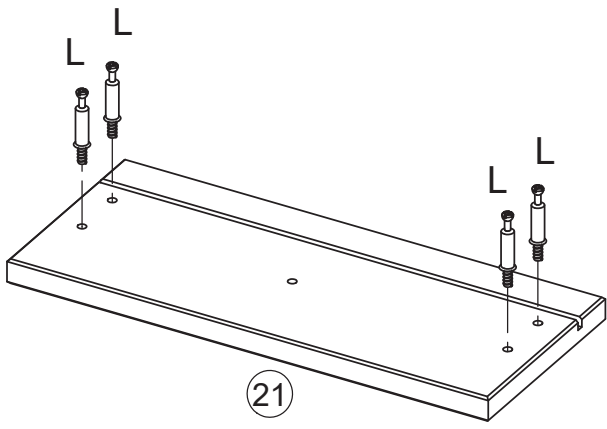


# Step 12





# Step 13

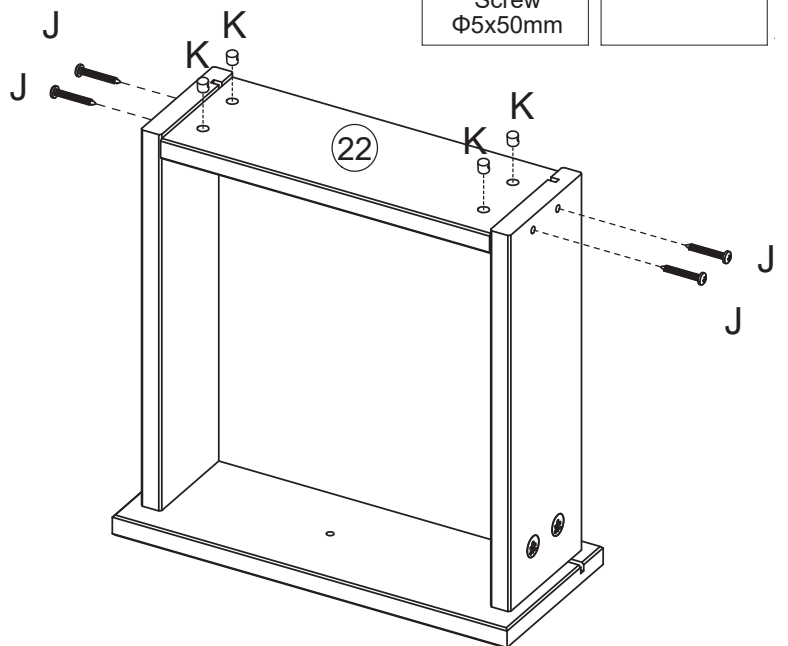
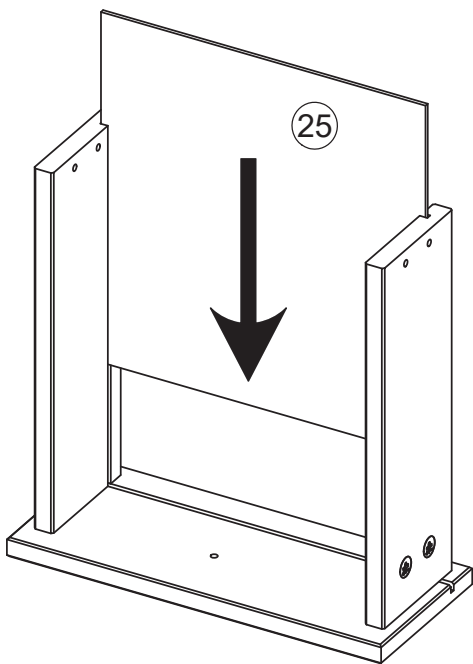
<b>L</b> x12	<b>M</b> x12
	
Φ6x40mm	Φ12x11mm



**x3**

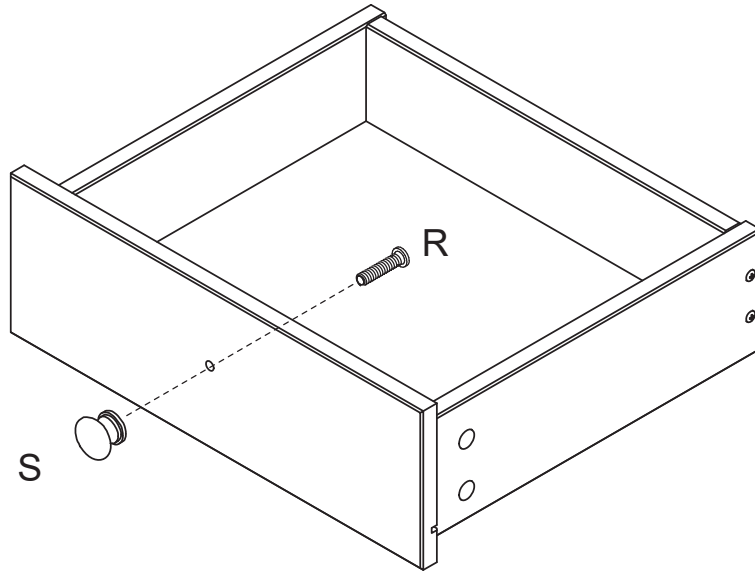
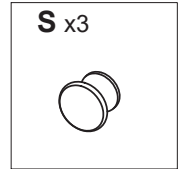
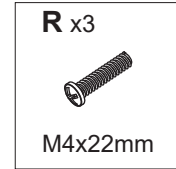
# Step 14

<b>J</b> x12	<b>K</b> x12
	
Screw Φ5x50mm	



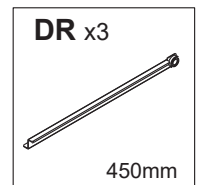
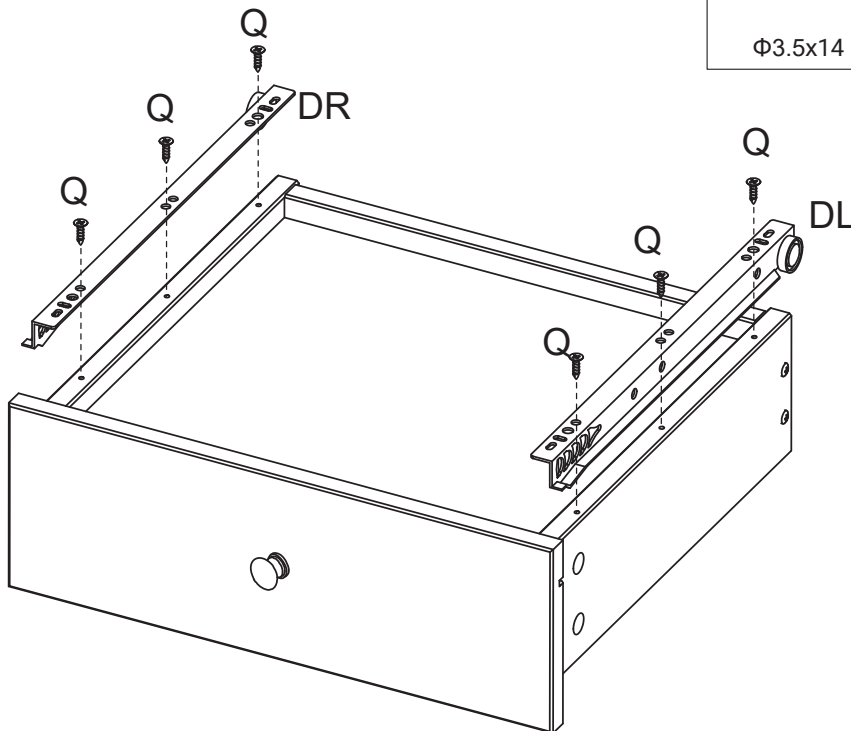
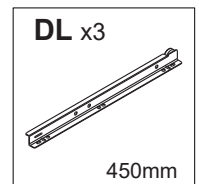
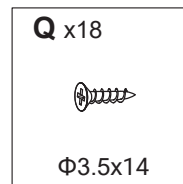
**x3**

# Step 15



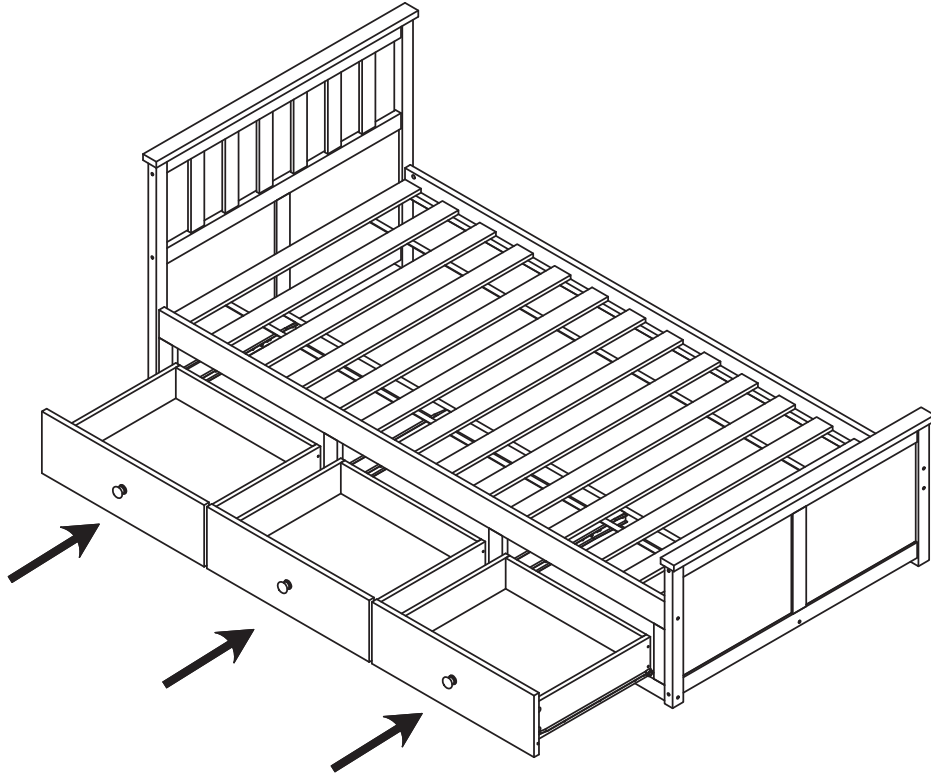
**x3**

# Step 16



**x3**

# Step 17



# Step 18

Assembly Complete

