

ASSEMBLY INSTRUCTION

METAL TABLE

PART LIST:

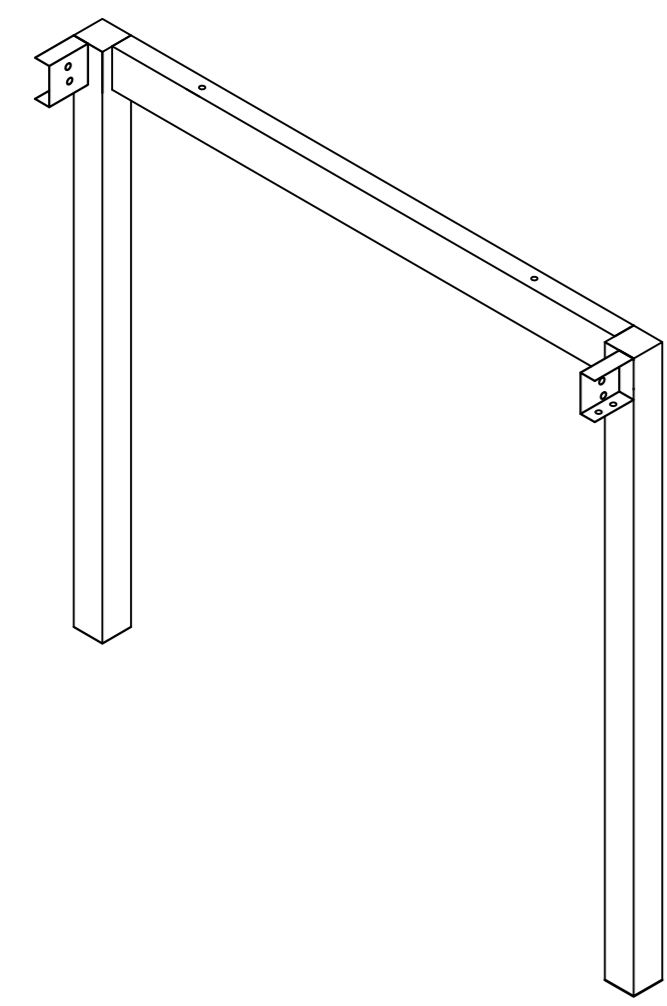


Table Leg Frame
2PCS

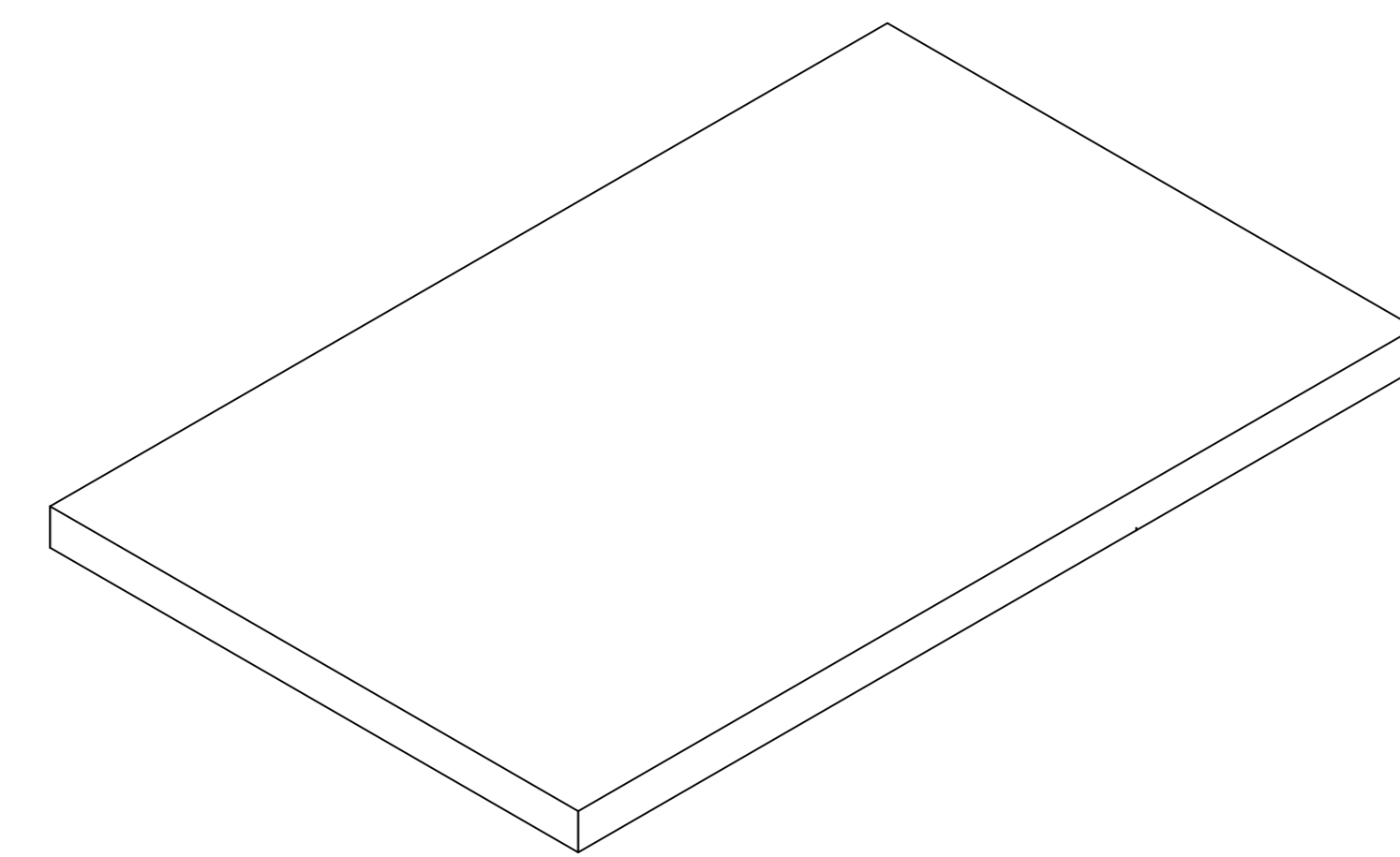
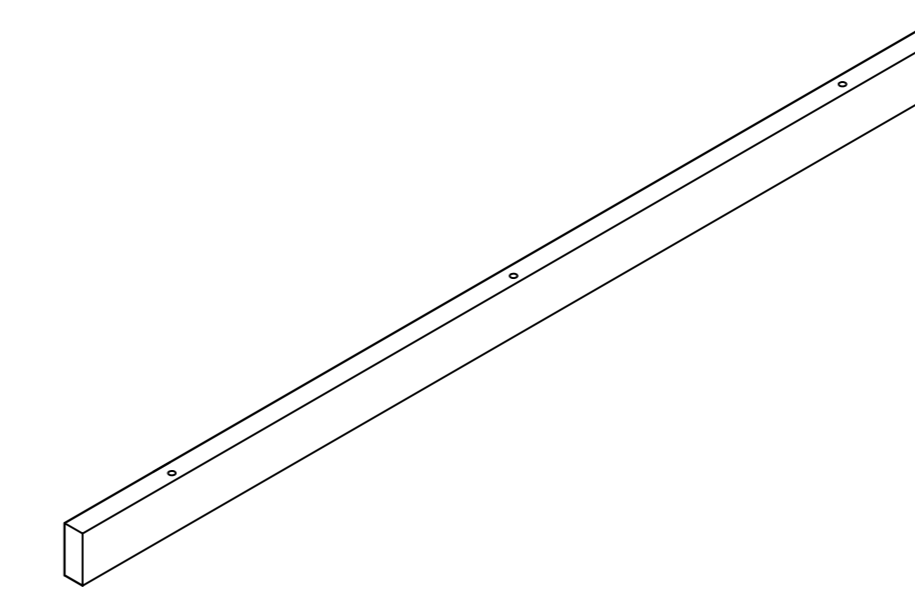
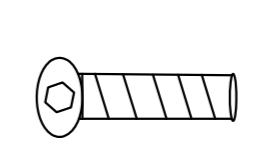
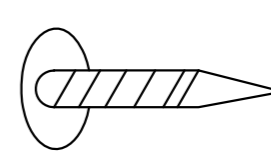
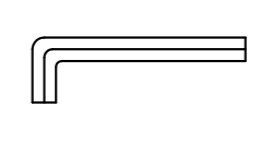


Table Top
1PC

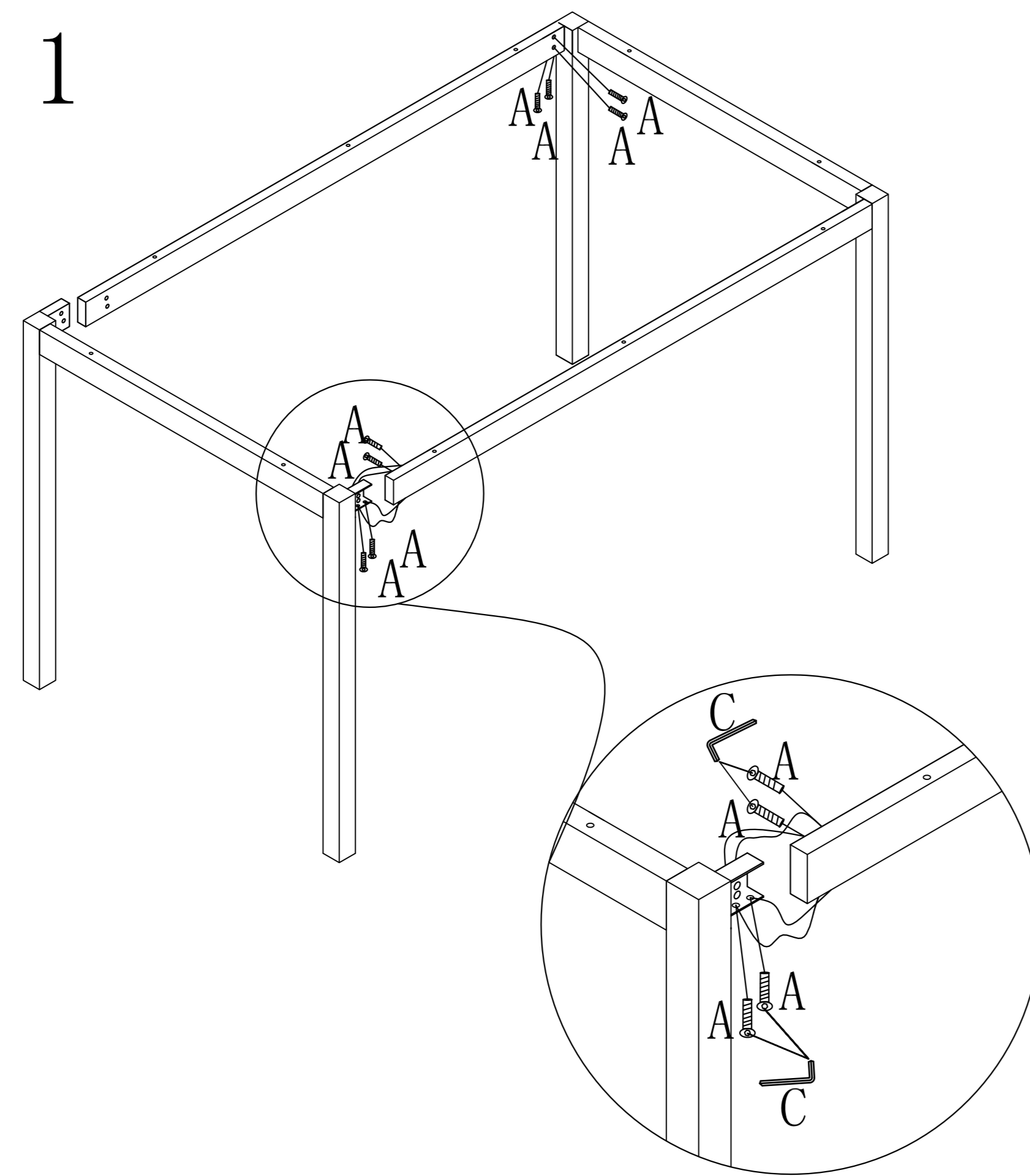


Apron
2PCS

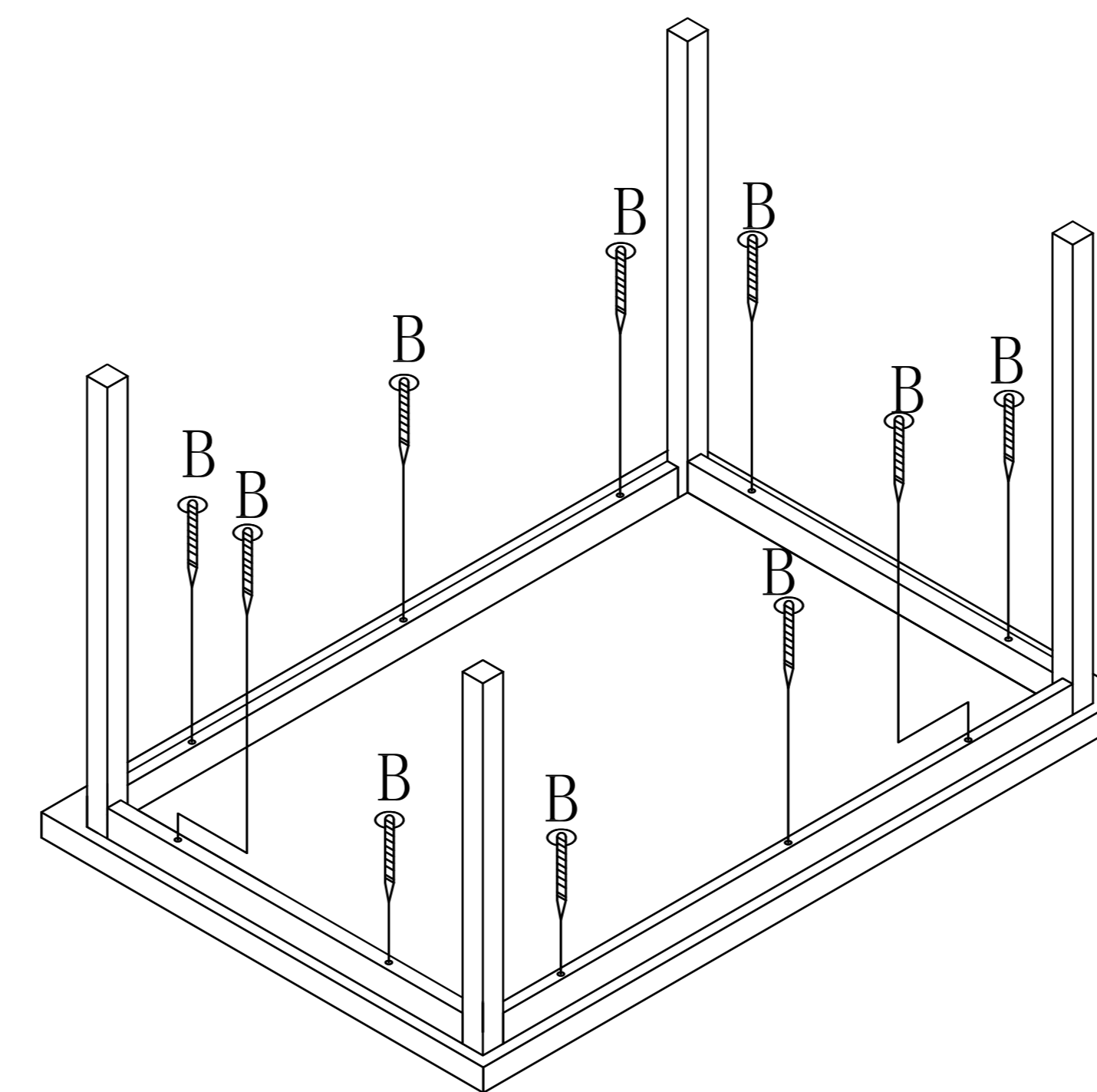
HARDWARE LIST

HARDWARE LIST				
A		Bolt	1/4"*16mm	16pcs
B		Screw	5mm*70mm	10pcs
C		L-Allen Key	4mm	1pc

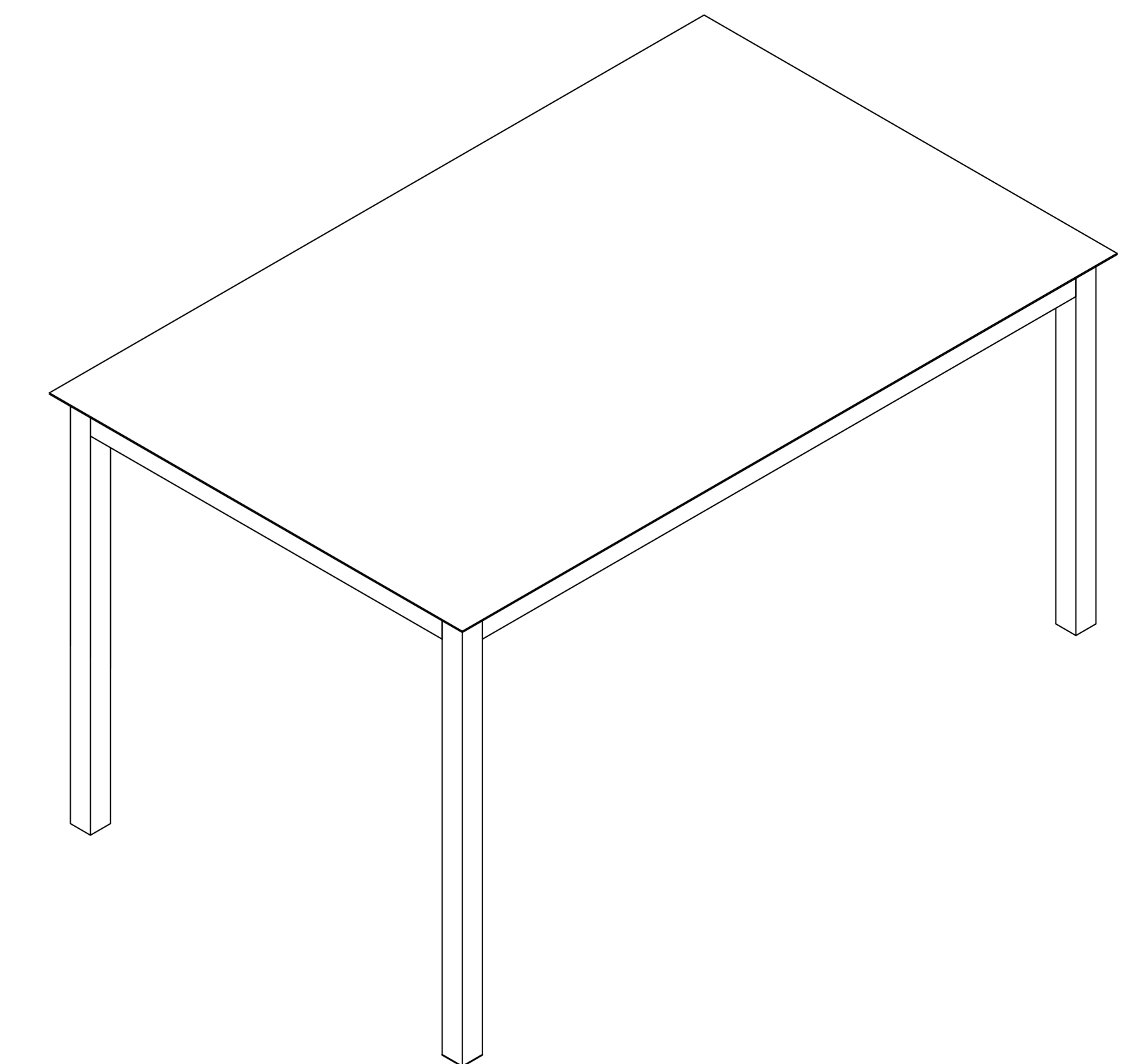
STEP 1



STEP 2




COMPLETED



(1) Align the table leg frame to apron and tighten with bolts.

(2) Place the table top on the smooth and stable carpeted or padded surface. Tighten the apron to table top with screws.

 For items use on wooden floor, hard surfaces or carpets, it is recommended to Install protective pads under all legs and supports to avoid/prevent from damages/scratches and discoloration.