

NOTICE

- *Please make sure that you have all parts indicated and they are in good condition before you begin assembly of this item. Refer to parts list and hardware list below for guidance.
 - *This item should be assembled on a soft surface to prevent scratching the finish during assembly.
 - * This item may require periodic tightening.
 - * If you are having difficulty, our friendly Customer Care team is always here to help.
- Please email

PREPARATION

- *Before beginning assembly of product, make sure all parts are present. Compare parts with part contents list and hardware contents list.
- *If any part is missing or damaged, do not attempt to assemble the product.
- *Estimated Assembly Time: 15 minutes.
- *Tools Required for Assembly: Allen Key (included) and Philips head screwdriver (not included).

CARE AND MAINTENANCE


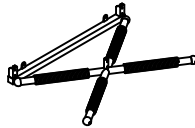





INDOOR METAL/ALUMINUM FURNITURE

Wipe spills immediately. Maintain with regular dusting and clean with mild soap and water, dry thoroughly and do not use a brass cleaner. Adhesive felt pads should always be used/applied in order to prevent damage to the furniture or surfaces on which the furniture is placed.

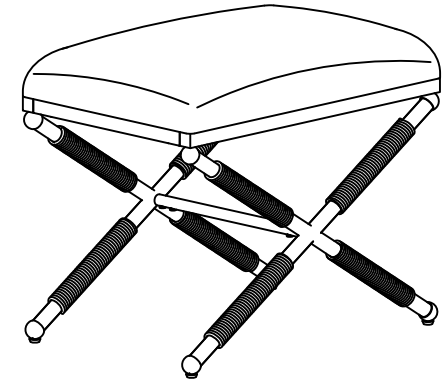
UPHOLSTERY CARE

To prevent overall soiling, frequent vacuuming or light brushing is recommended. Down-filled cushions should be brushed rather than vacuumed. Spot clean, using a mild water-free solvent or dry cleaning product. Only a professional cleaner should undertake a complete overall cleaning. The use of steam or water-based cleaners may cause excessive shrinking or staining.

Part List and Hardware List

PIECE	DESCRIPTION	PICTURE	QUANTITY
A	Seat Cushion		1x
B	Side Frame		2x
C	Square Connecting Tube		2x
D	Circular Connecting Tube		1x
HW1	Hex Socket Bolt	 1/4"-20 x 0.625"	12x
HW2	Wood Screw	 Ø4 x 18mm	4x
HW3	Allen Key	 M4	1x

Product Dimensions: 23.75"W x 16"D x 20.25"H



Weight capacity : 275 lbs
WARNING : DO NOT STAND ON THE PRODUCT
WARNING : DO NOT OVER TORQUE BOLTS

PREPARATION

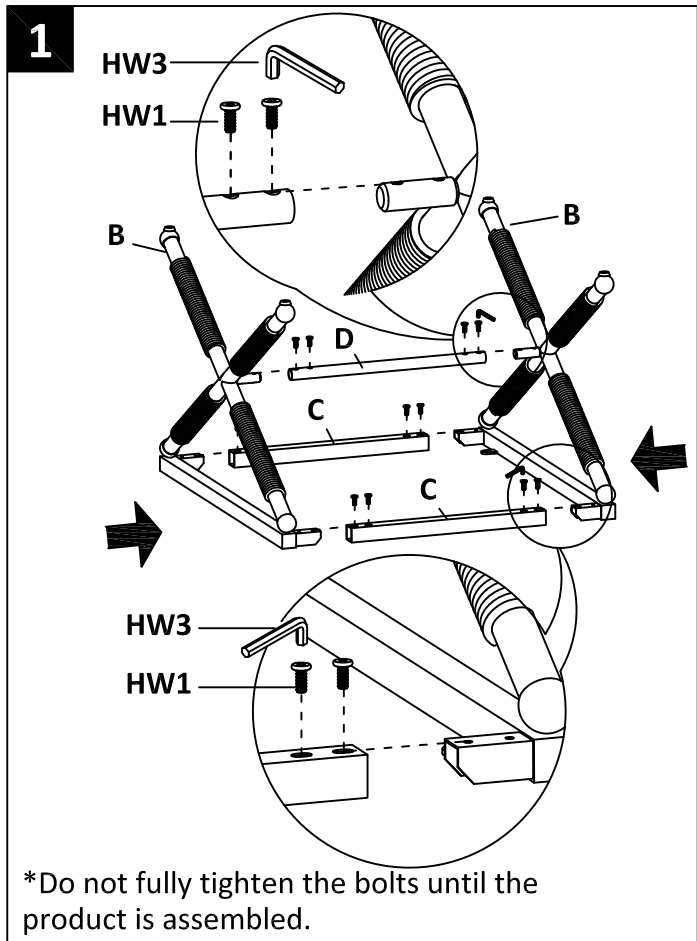
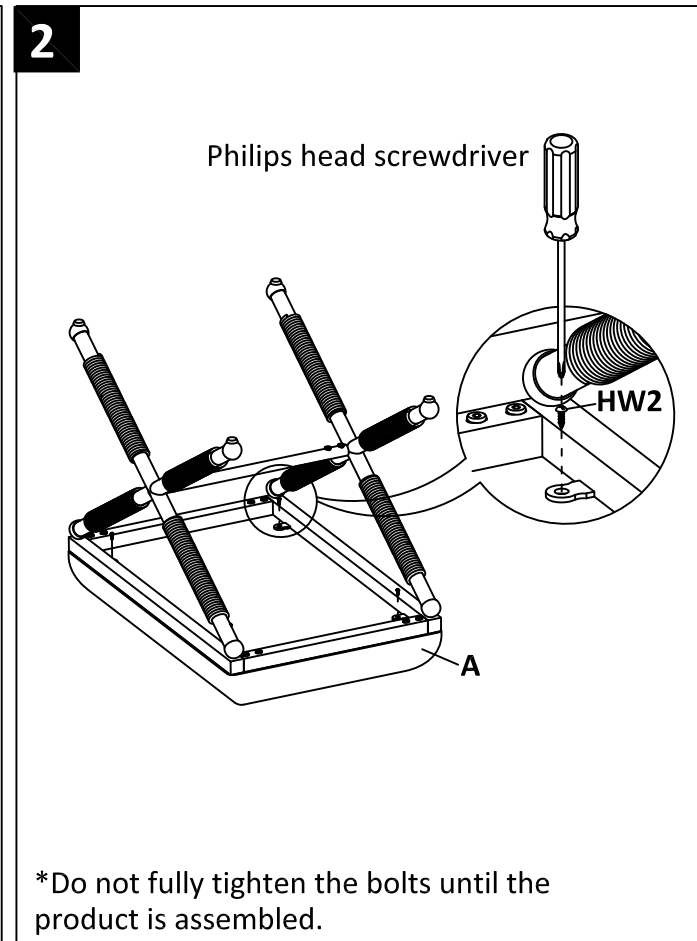
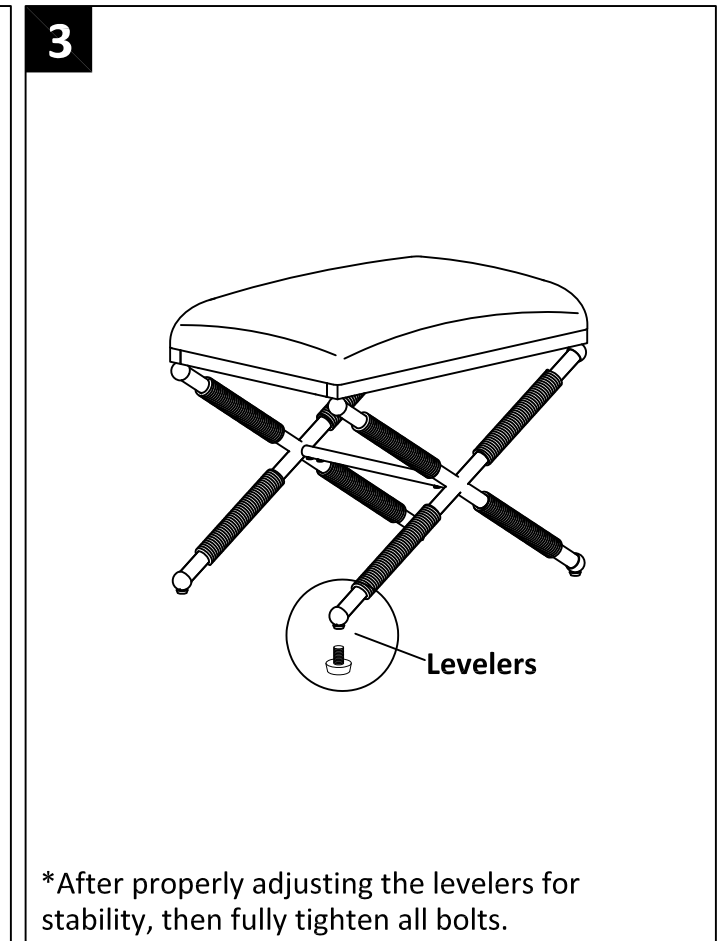
*Before beginning assembly of product, make sure all parts are present. Compare parts with part contents list and hardware contents list.

*If any part is missing or damaged, do not attempt to assemble the product.

*Estimated Assembly Time: 15 minutes.

*Tools Required for Assembly: Allen Key (included) and Philips head screwdriver (not included).

*If you are having difficulty, our friendly Customer Care team is always here to help. Please email

<p>1</p>  <p>*Do not fully tighten the bolts until the product is assembled.</p>	<p>2</p>  <p>*Do not fully tighten the bolts until the product is assembled.</p>	<p>3</p>  <p>*After properly adjusting the levels for stability, then fully tighten all bolts.</p>
<p>Step 1</p> <p>Insert the protrusions on both Side Frames (B) into the two Square Connecting tubes (C) and the Circular Connecting tube (D). Align the holes in the protrusions to the holes in all 3 tubes. Use the Allen Key (HW3) to screw the 12 Hex Socket Bolts (HW1) in to the holes.</p>	<p>Step 2</p> <p>Place the assembled base on the bottom side of Seat Cushion (A). Through the tabs on the assembled base, screw the 4 Wood Screws (HW2) into the bottom of the Seat Cushion by using a Philips head screwdriver (not included).</p>	<p>Step 3</p> <p>Turn the assembled product upright. Use the levels to adjust the product if needed. Assembly is now complete.</p>