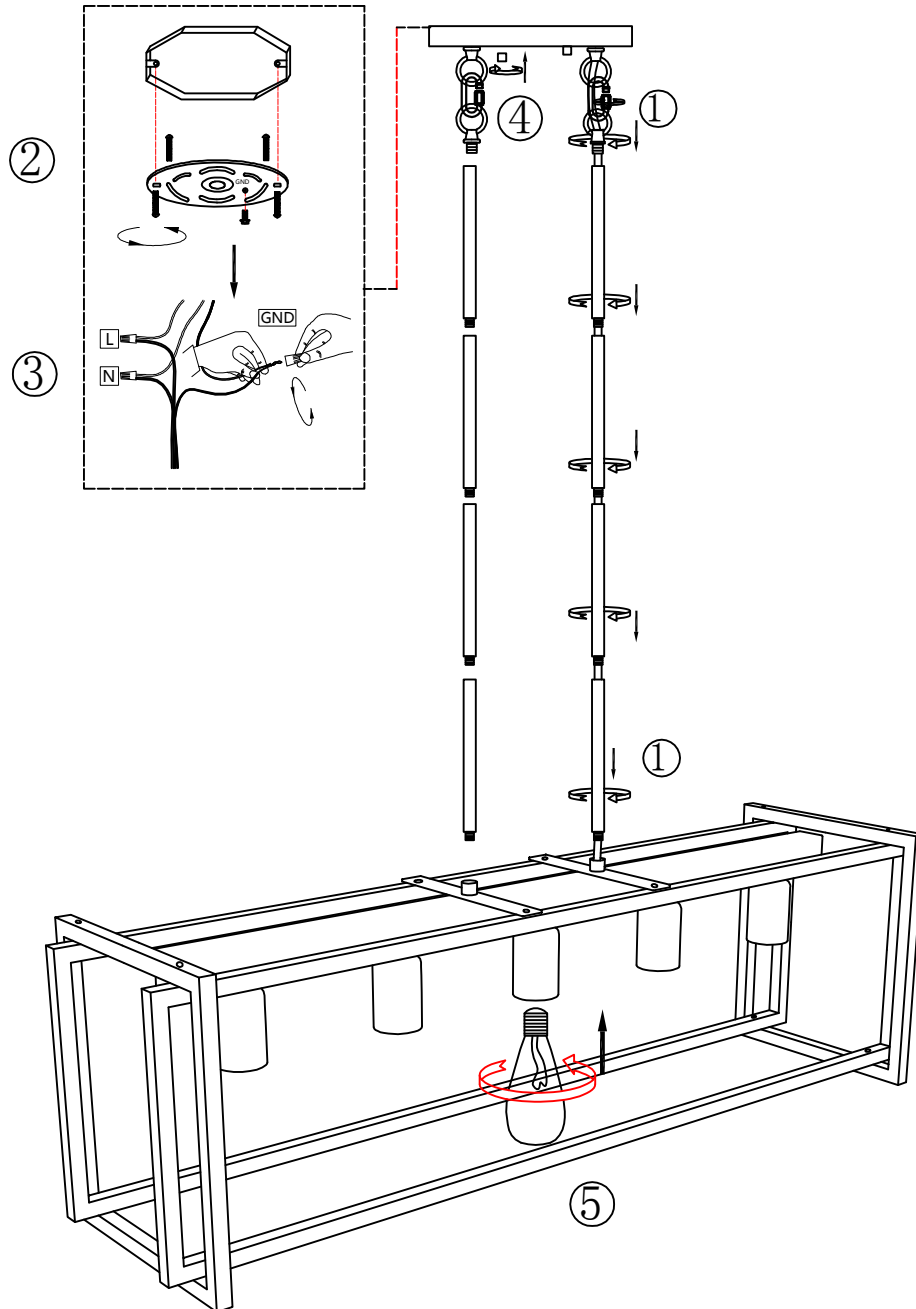


Installation Steps:



Thank you for using our products. Please read the operation manual before installation. Please keep this operation manual as a reference. Disconnect the power supply before installing this product. Installation by a professional electrician is recommended.

1. Fix the iron pipe to the top of the lamp body with knobs in order, and finally hang the pendant square box on the iron pipe circle.
2. Fix the hanging plate on the mounting box.
3. Connect the black wire (L) to the fire wire and the white wire (N) to the zero wire line with wire caps and wrap tightly with insulating tape. Connect the ground wire from the light to the ground wire in the junction box. If the house does not have a ground wire, connect it to the green screw on the wall plate. (Screw label: GND). Carefully tuck all wires into the junction box.
4. Secure the lamp to the wall plate with the round head nut.
5. Fit the bulb into the head of the lamp, ensuring good contact..

Attention:

1. The input power of the lamp is AC 120V 50Hz.
2. Any behavior that violates residential fire protection regulations is prohibited.
3. Under no circumstances should the lamps be covered with heat insulation pads or wooden materials.
4. Before maintenance, make sure that the power supply of the lamp has been cut off and the light source has cooled down. Before powering on, make sure that the light source and the lamp holder are connected correctly.
5. Please wipe with a towel or flannel, and clean the lamp body with a non-corrosive detergent. Do not scrub directly, wipe with water or a damp cloth.
6. If you have any questions about this manual, please consult a qualified lighting installation engineer.