

WOOD OCTAGON FOLDING OUTDOOR PATIO TABLE

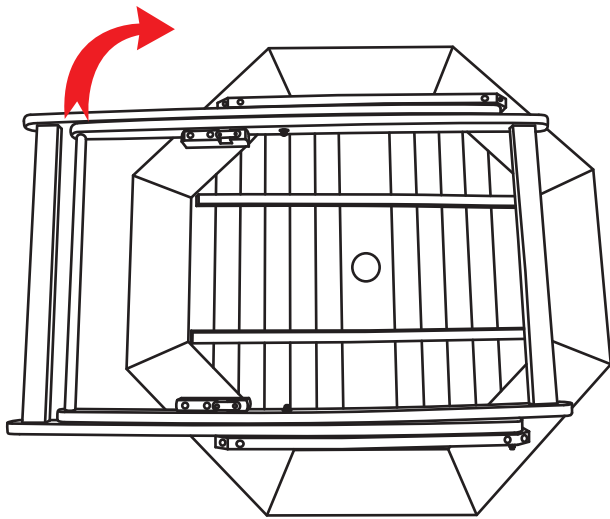
Read this manual carefully before using this product. Save this manual for future reference.



WARNING!

Manufacturer and seller expressly disclaim any and all liability from personal injury, property damage or loss, whether direct or indirect, or incidental, resulting from the incorrect attachment, improper use, inadequate maintenance, or neglect of this product.

EASY SET-UP

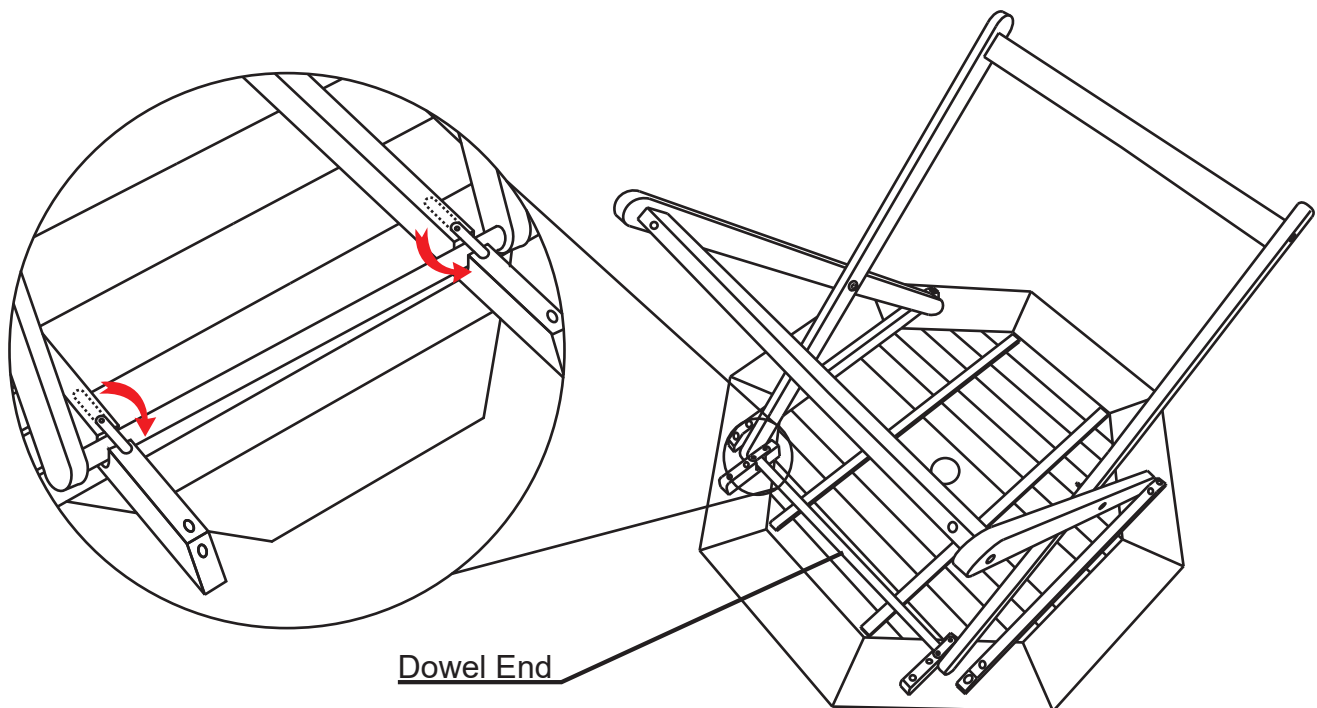


STEP 1

1. From the edges overhanging the tabletop, lift both legs upwards.

STEP 2

1. Place the dowel end of the leg into the notch on the tabletop.
2. Turn the metal tabs to keep the legs in place.



IMPORTANT INFORMATION

SAFE USE: For residential use only. Ensure the metal tab on the underside of the table is in the correct position before each use. Do not stand or sit on the table. Only use on a flat, level surface.

CLEANING: Identify the direction of the woodgrain. Following the direction of the woodgrain, wipe surfaces with a dry soft cloth. Do not use harsh chemicals or abrasive materials or a pressure washer to clean.

COVER: When not in use, covering the table with a breathable cover will help protect it from the harmful effects of sunlight, dust build-up, and collecting debris.

WINTER CARE & STORAGE: Protect this item from inclement weather, especially ice and snow. Move the table to a cool, dry indoor location. Covering the table while in storage is recommended to help prevent dust build-up.

MAINTENANCE: Left untreated, the wood may weather. A suitable wood stain or oil may need to be applied yearly.

WARNING: THE ONE-YEAR WARRANTY DOES NOT COVER DAMAGES OR DEFECTS CAUSED BY THE USE OF CHEMICAL TREATMENTS OR PROTECTIVE COATINGS.

Any modification to the product or failure to follow recommended care will void the product warranty.