




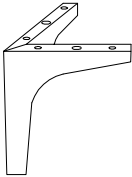
Assembly instructions for the chair, including tool requirements, safety warnings, and personnel needs.

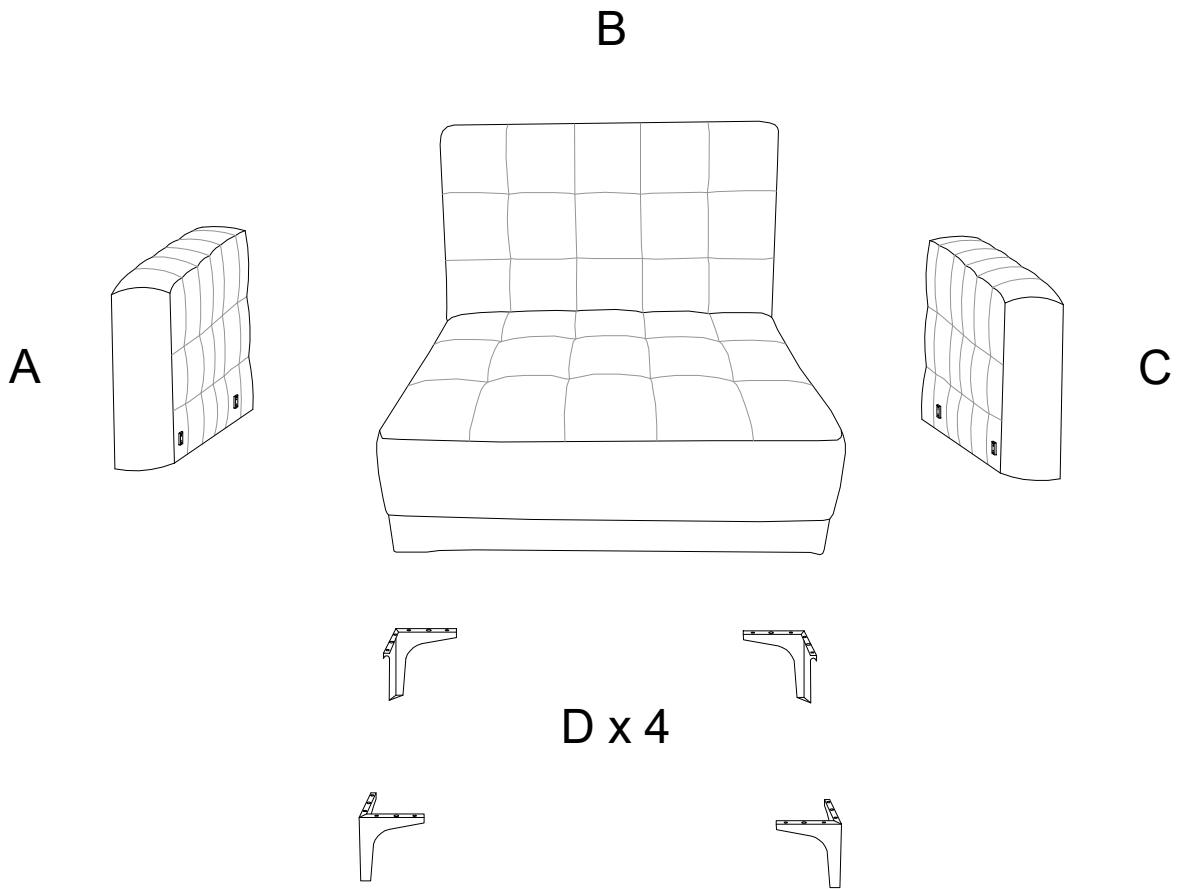
**Tools:** An icon shows an Allen key and a screwdriver inside a circle. A power drill is shown with a diagonal line through it, indicating it is not required.

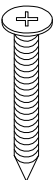

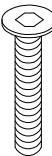

**Warnings:** Two warning triangles (exclamation marks) are present. The first is connected to the tool icons, and the second is connected to the personnel icon.

**Time:** A clock icon indicates an estimated assembly time of **30'**.

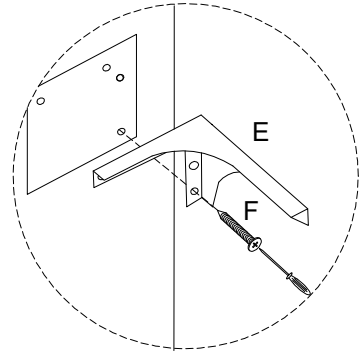
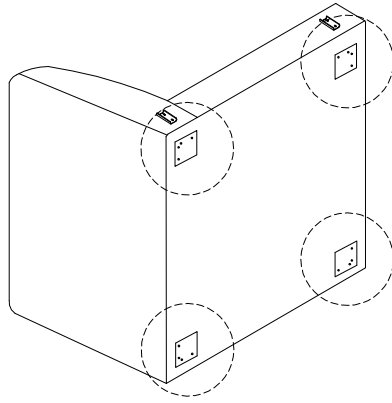
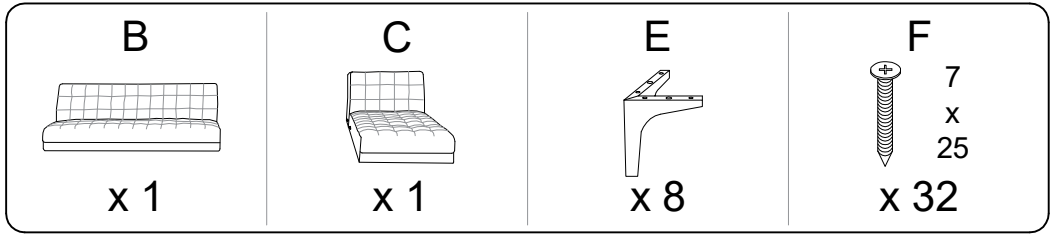
**Personnel:** A person icon indicates that **2** people are required for assembly.

<b>A</b>	<b>B</b>	<b>C</b>	<b>D</b>
			
<b>x 1</b>	<b>x 1</b>	<b>x 1</b>	<b>x 4</b>

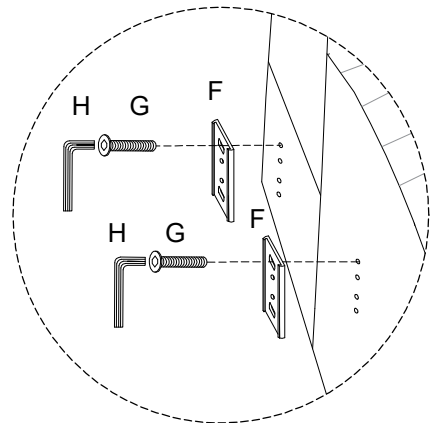
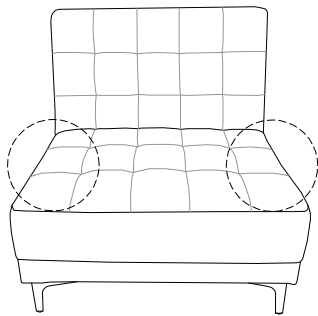
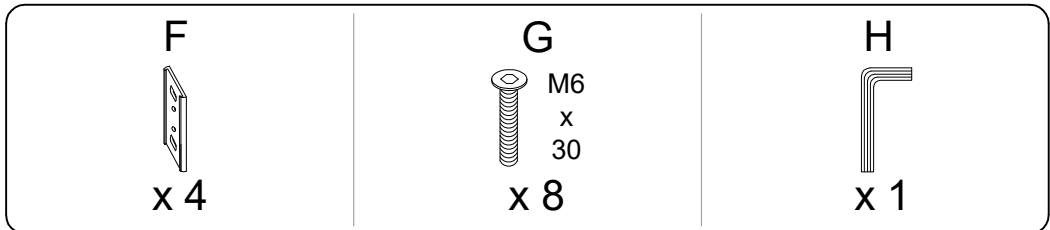


<b>E</b>	<b>F</b>	<b>G</b>	<b>H</b>
			
5 x 25 <b>x 16</b>	<b>x 4</b>	M6 x 30 <b>x 8</b>	<b>x 1</b>

1



2



3

A



x 1

B



x 1

