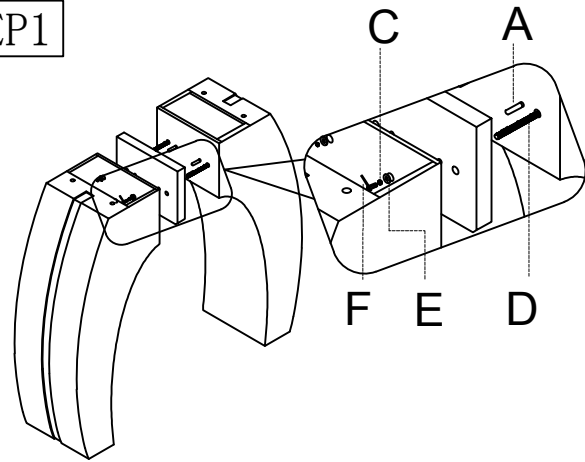
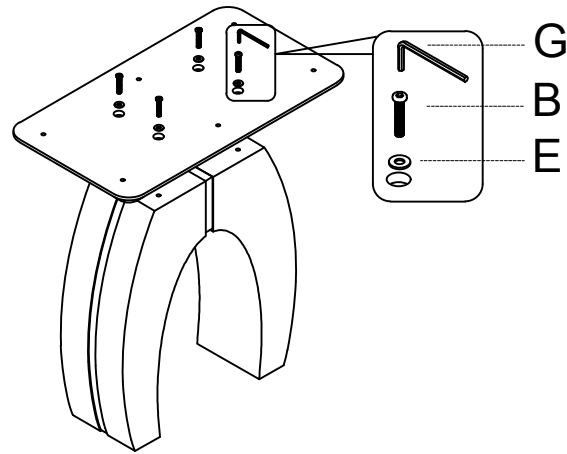


ASSEMBLY INSTRUCTION

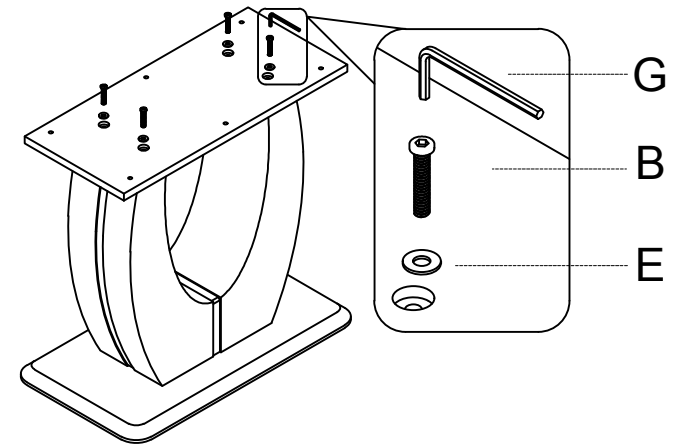
STEP1



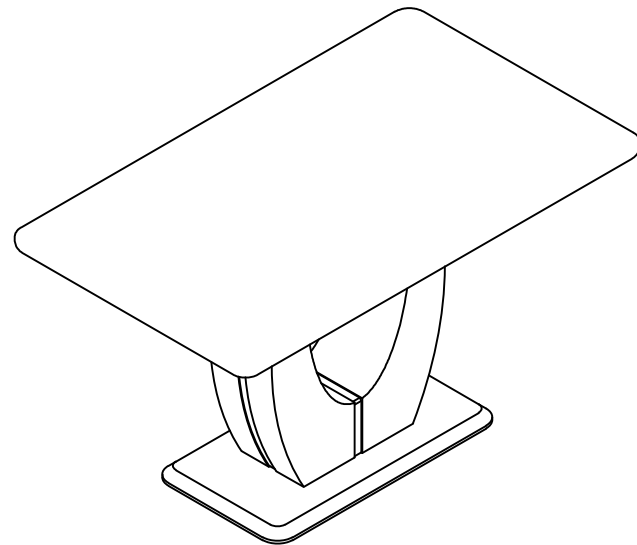
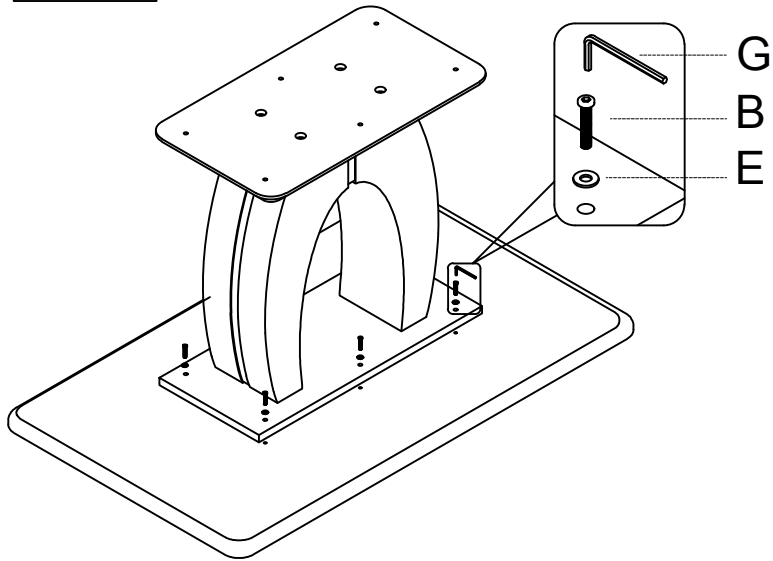
STEP2



STEP3



STEP4



A		2pcs
B		14pcs
C		2pcs
D		2pcs
E		18pcs
F		1pc
G		1pc