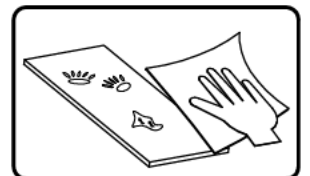
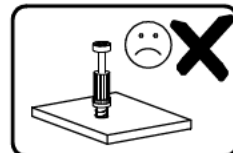
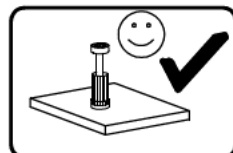
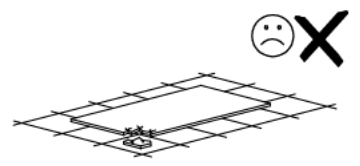
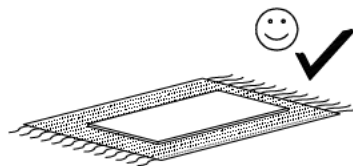
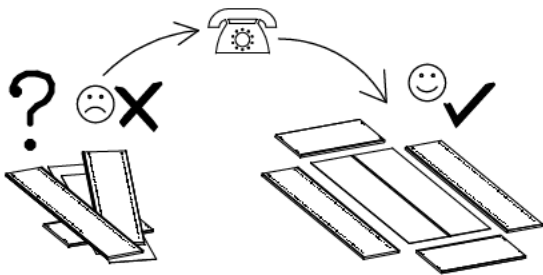
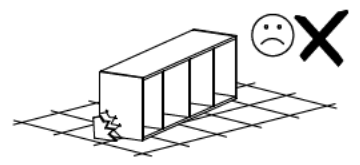
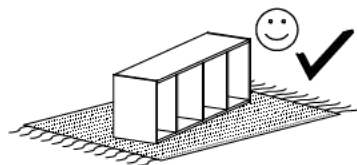
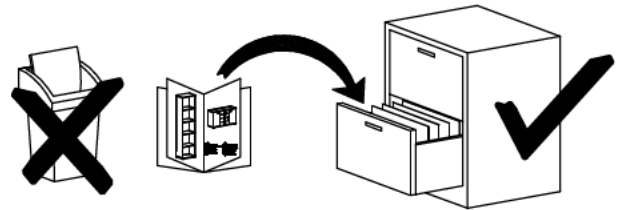
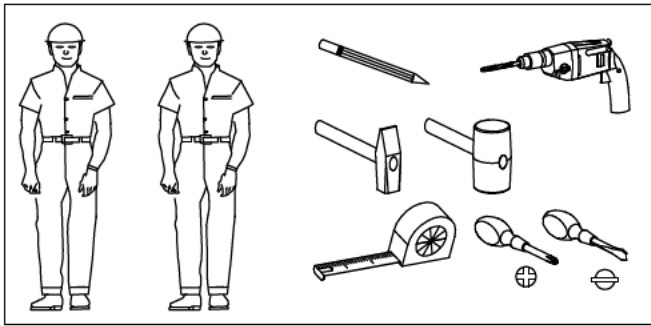
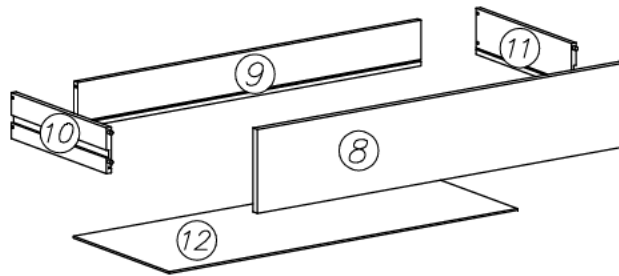
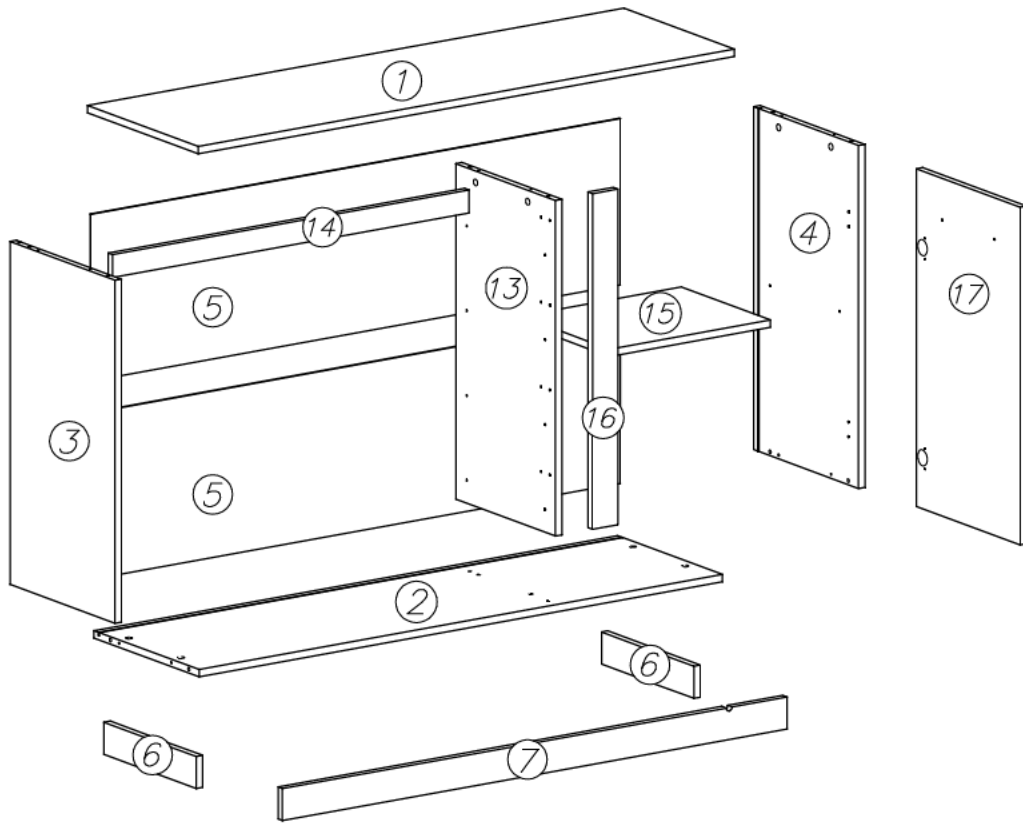
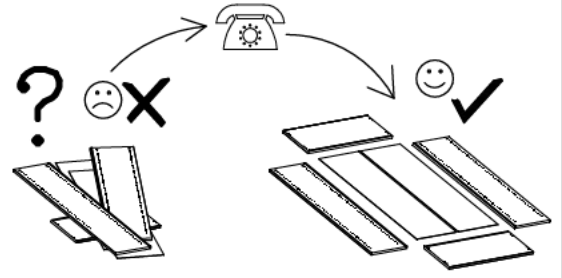
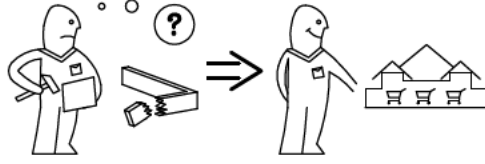
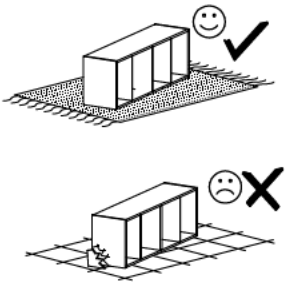
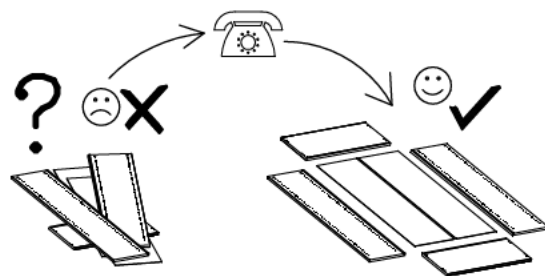
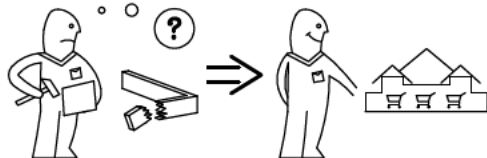
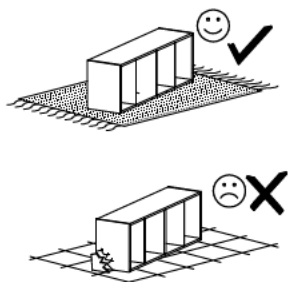


PUSH



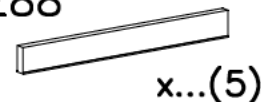




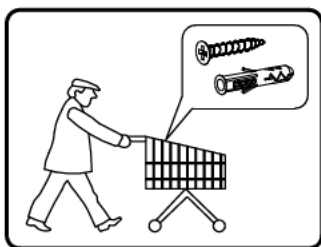
OPCJA A



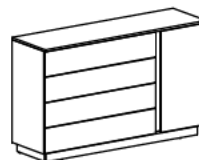
E88



x...(5)

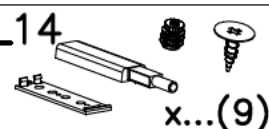


OPCJA B



PUSH

L14







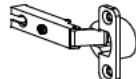



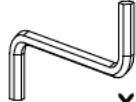
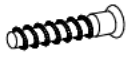

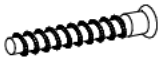


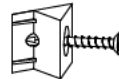



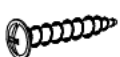

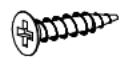
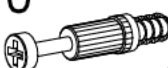




x...(9)

G57

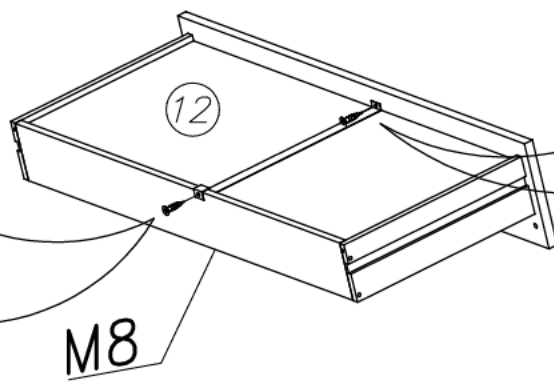
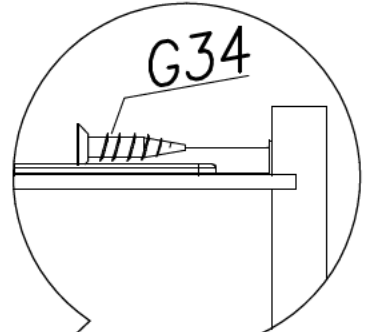
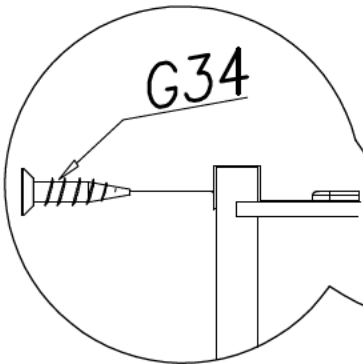
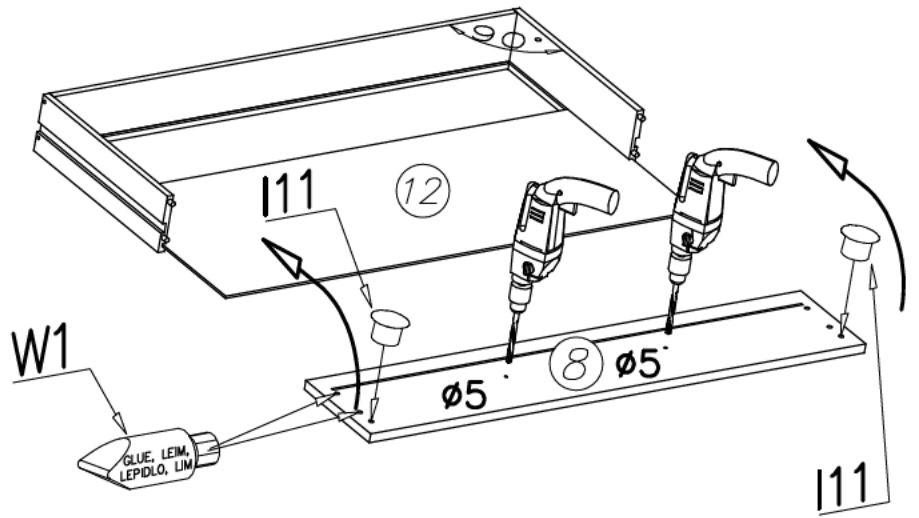
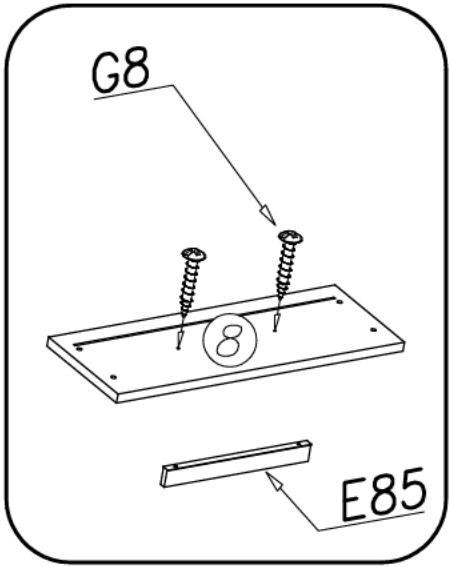
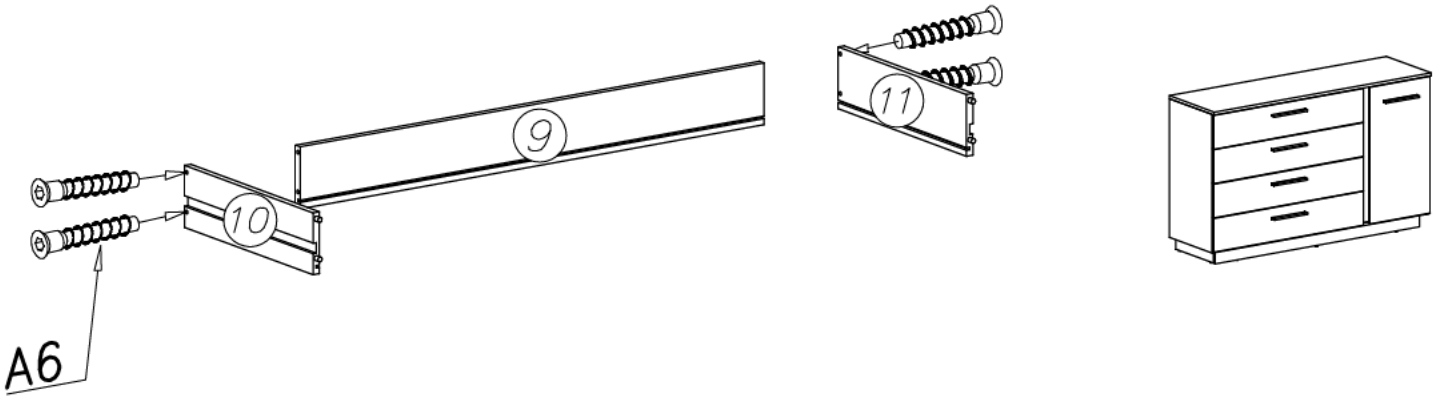


3,5x16 x...(18)

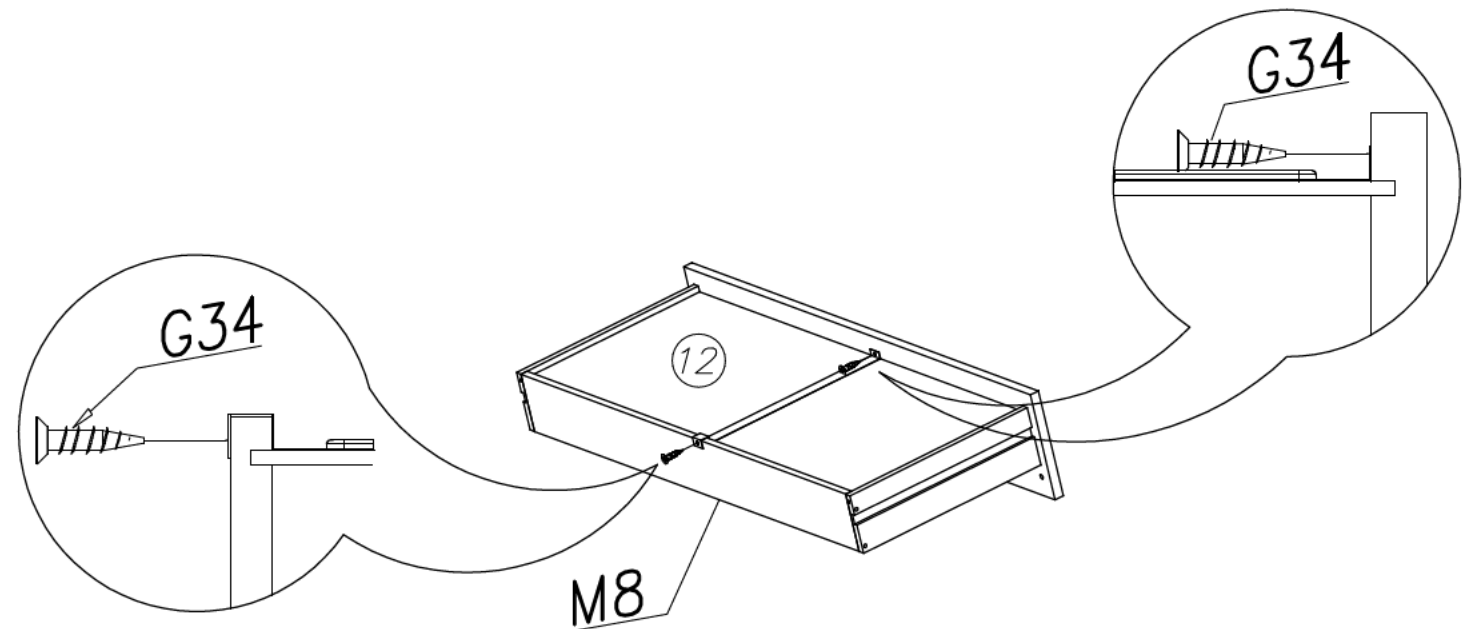
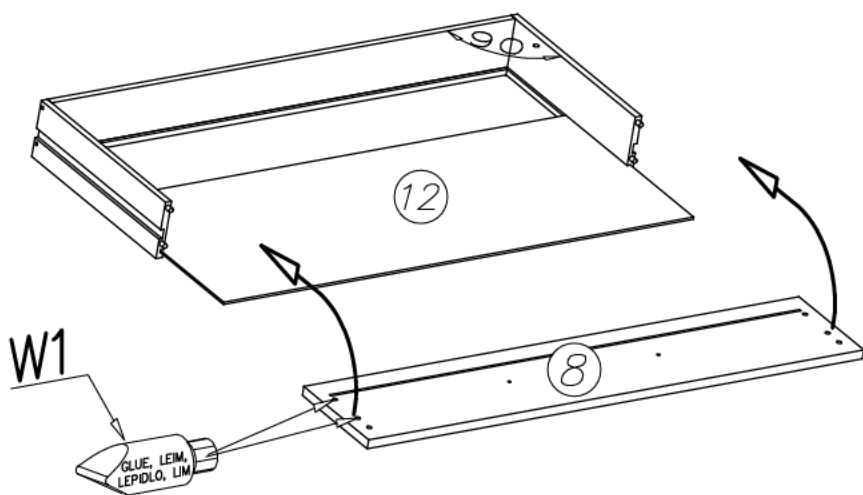
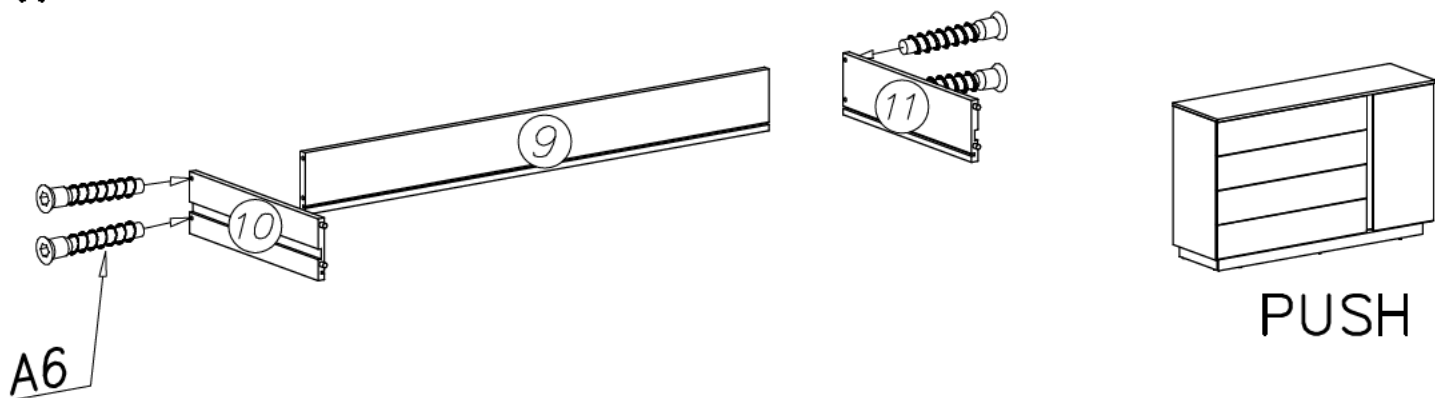


	F2  x...(4)	I11  ø10 x...(8)	M11  x...(1)	S1  1346mm x...(1)
C3  Z35PR x...(2)	D3  PZ35PR x...(2)	P28  x...(1)	M8  350mm x...(4)	
W2  x...(1)	A6  ø7x40 x...(16)	G50  6x13 x...(16)	A1  ø7x50 x...(2)	F15  x...(19)
H4  350mm x...(8)		I1  x...(10)	W1  x...(2)	W10  1000mm
K1  ø15x12 x...(10)	G8  4x30 x...(10)	N1  M4x9 x...(8)	G34  3,5x16 x...(97)	
K10  x...(10)	B1  ø8x35 x...(12)	I7  x...(10)	P4  x...(7)	 x...(1)

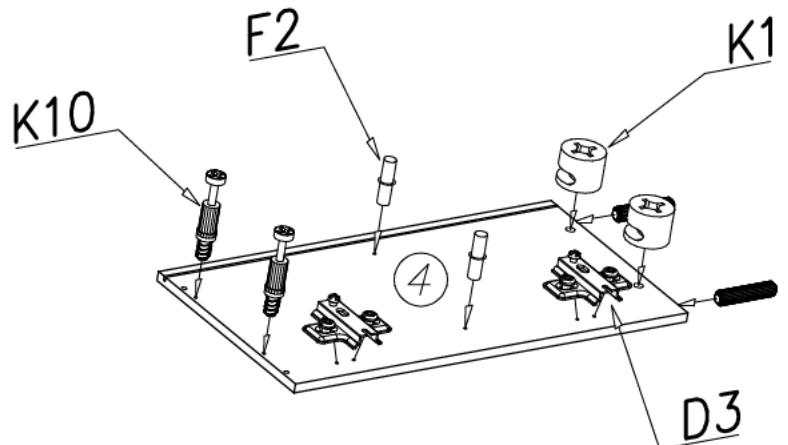
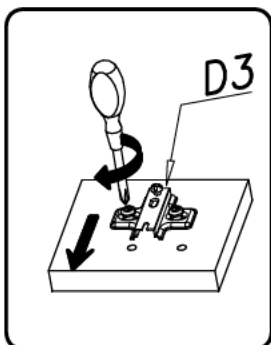
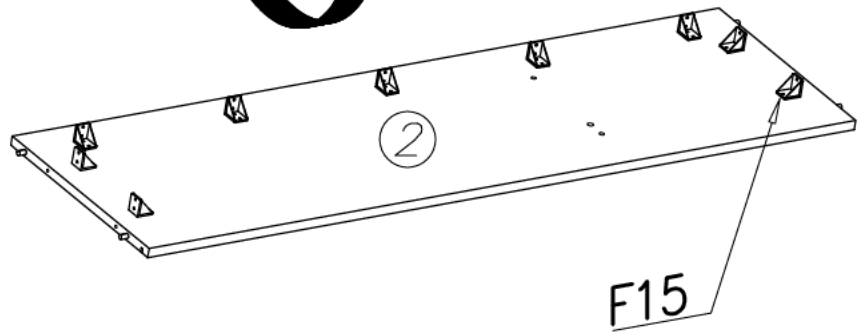
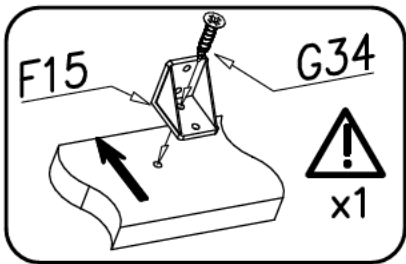
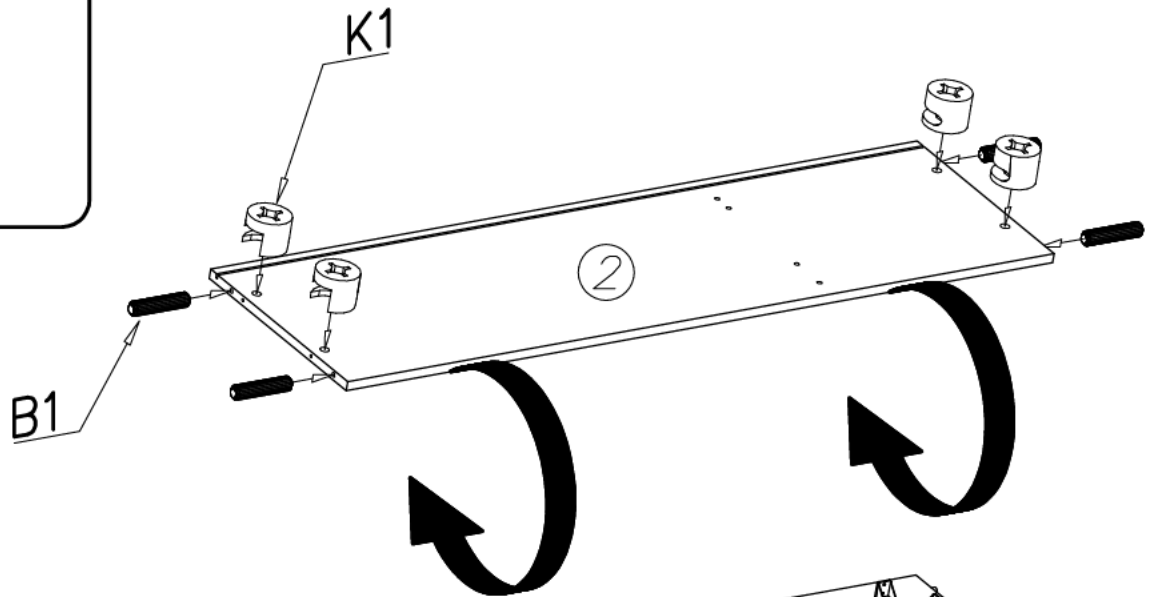
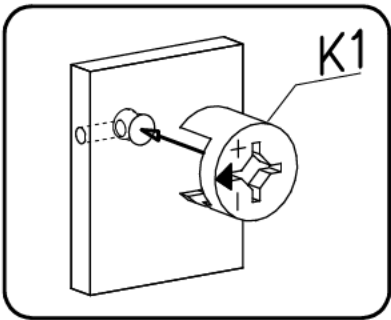
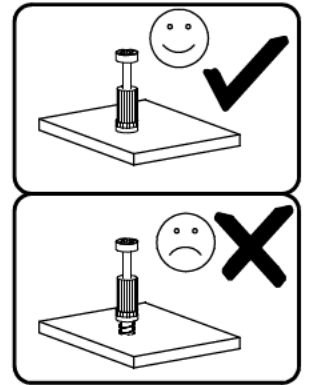
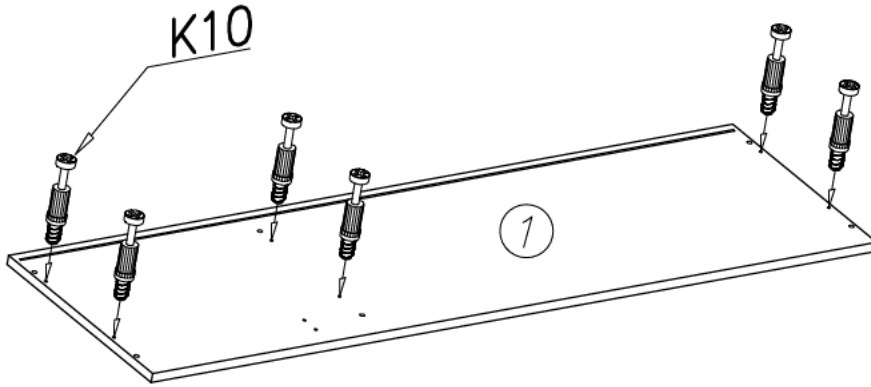
I



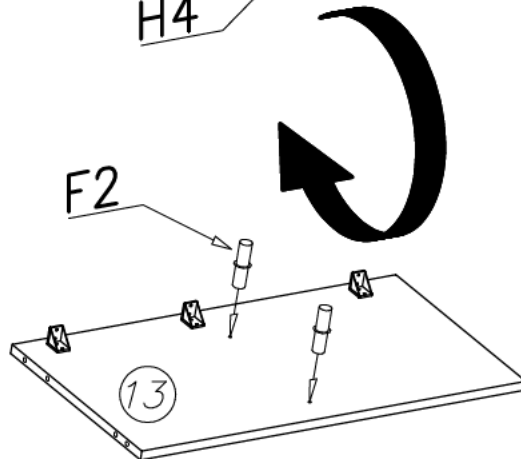
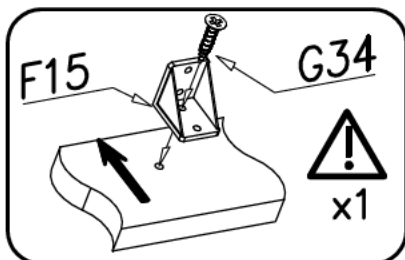
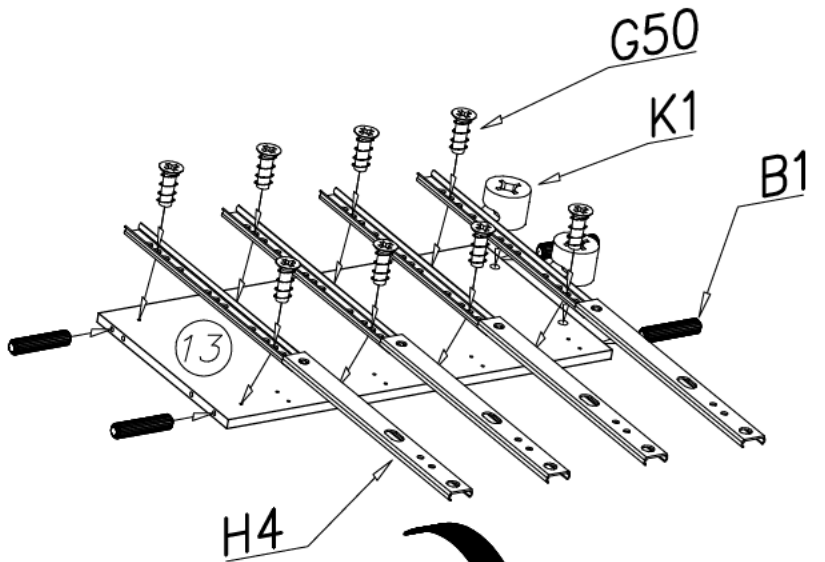
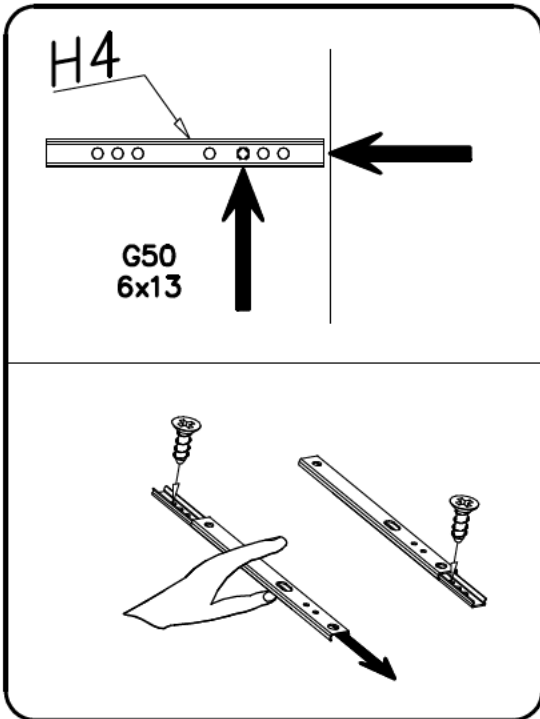
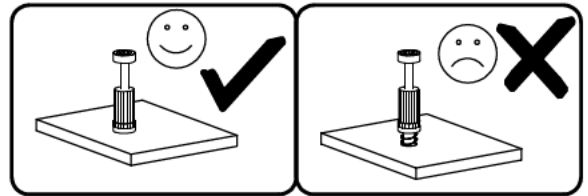
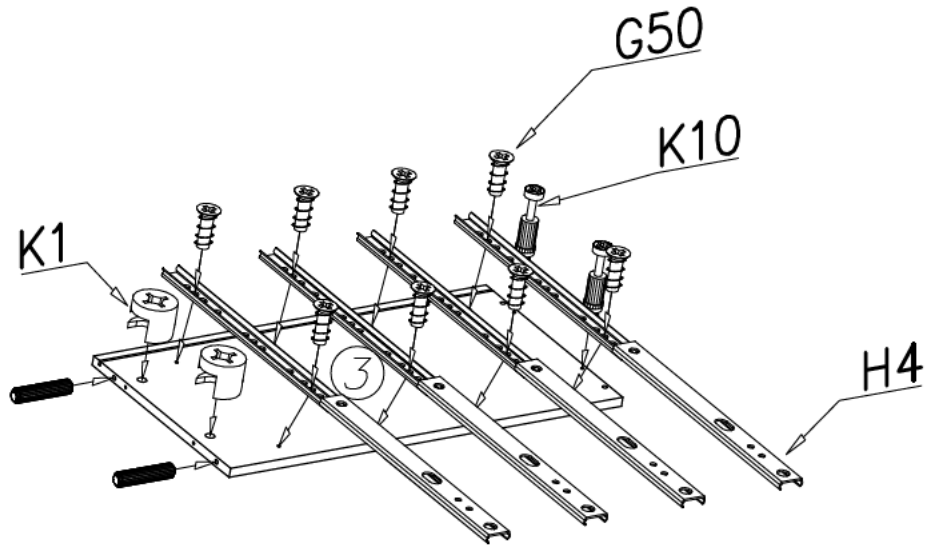
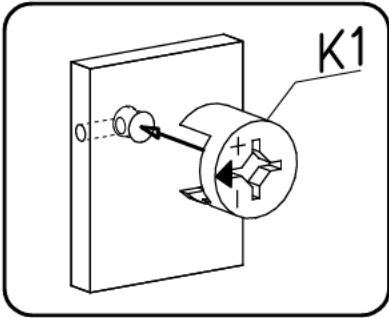
II



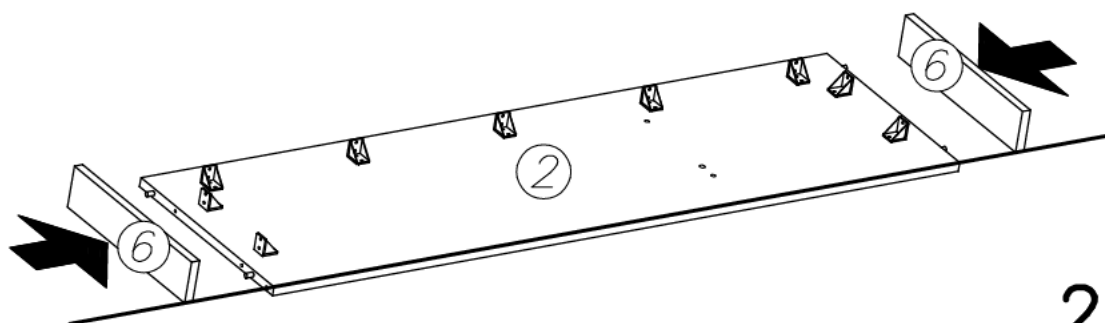
III



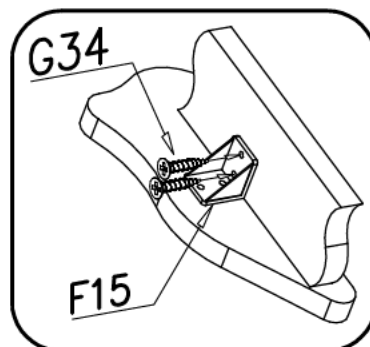
IV



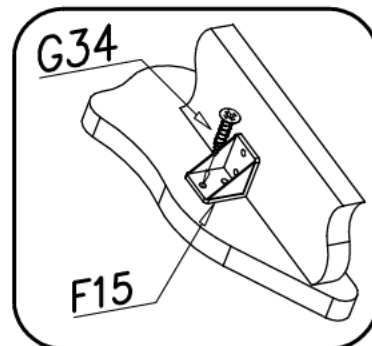
V



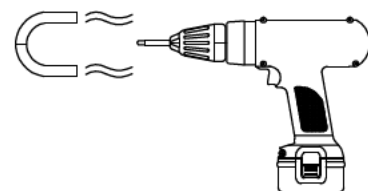
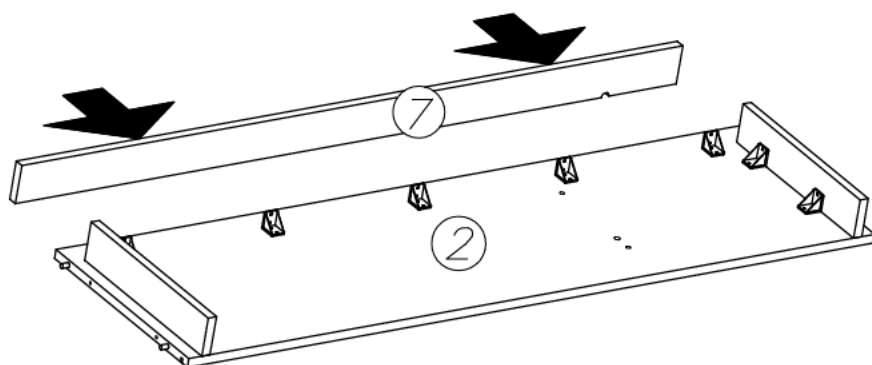
1.



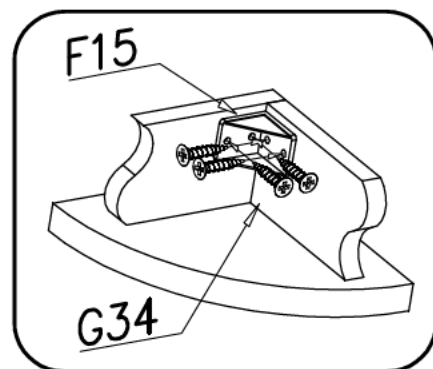
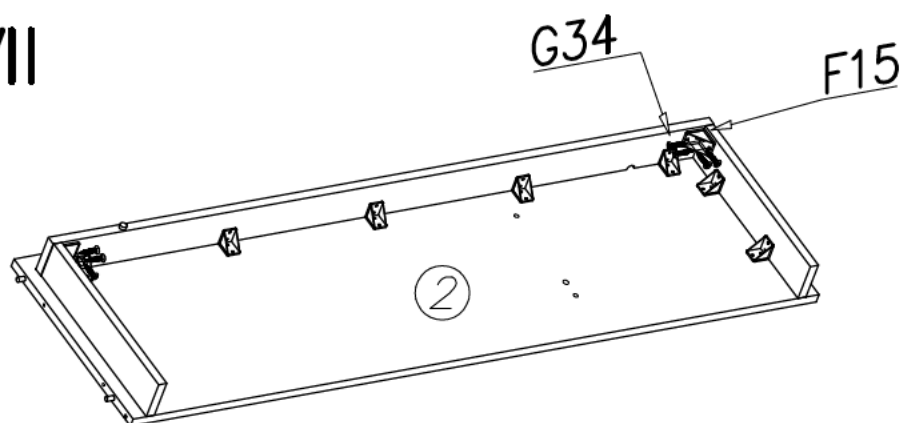
2.



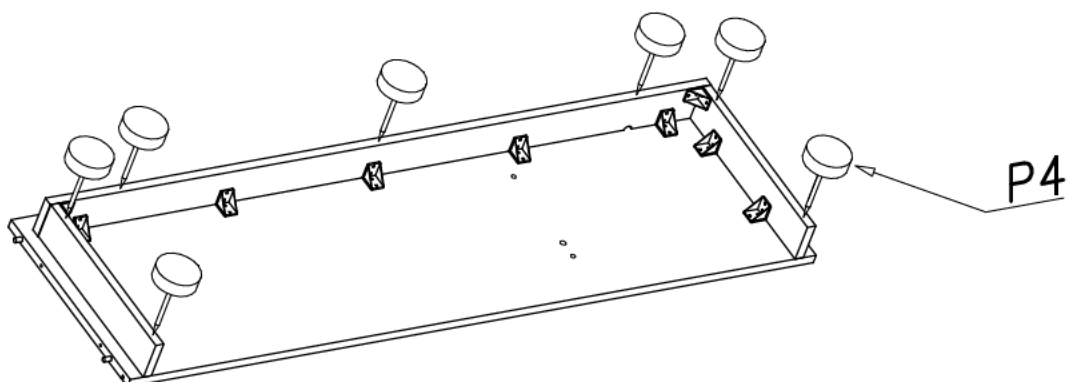
VI



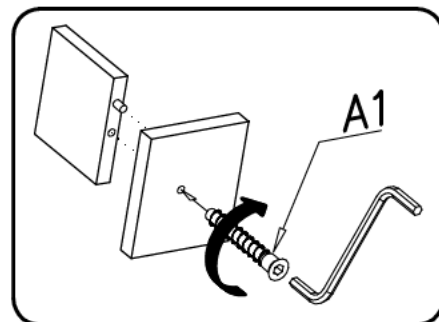
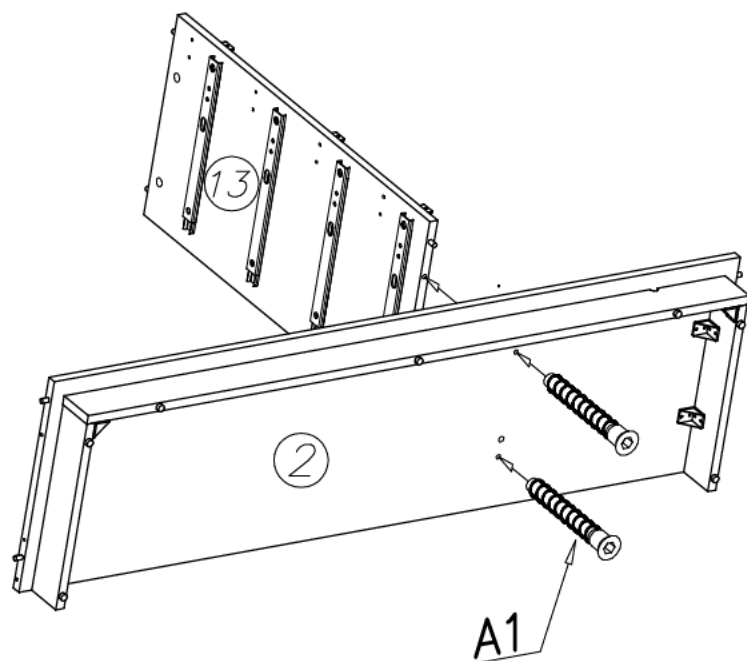
VII



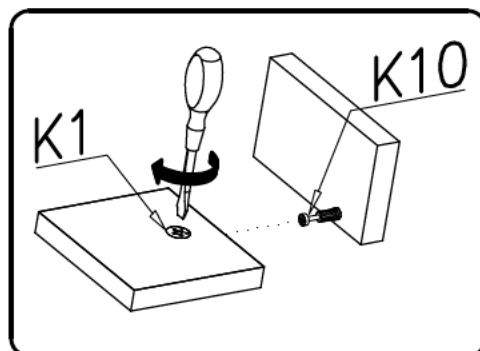
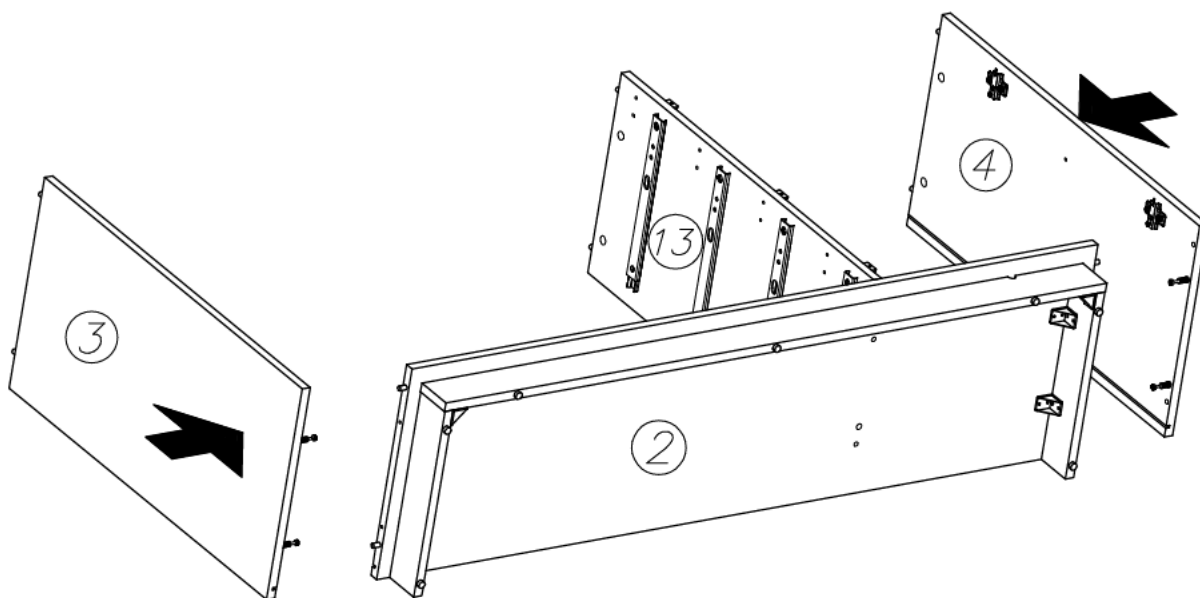
VIII



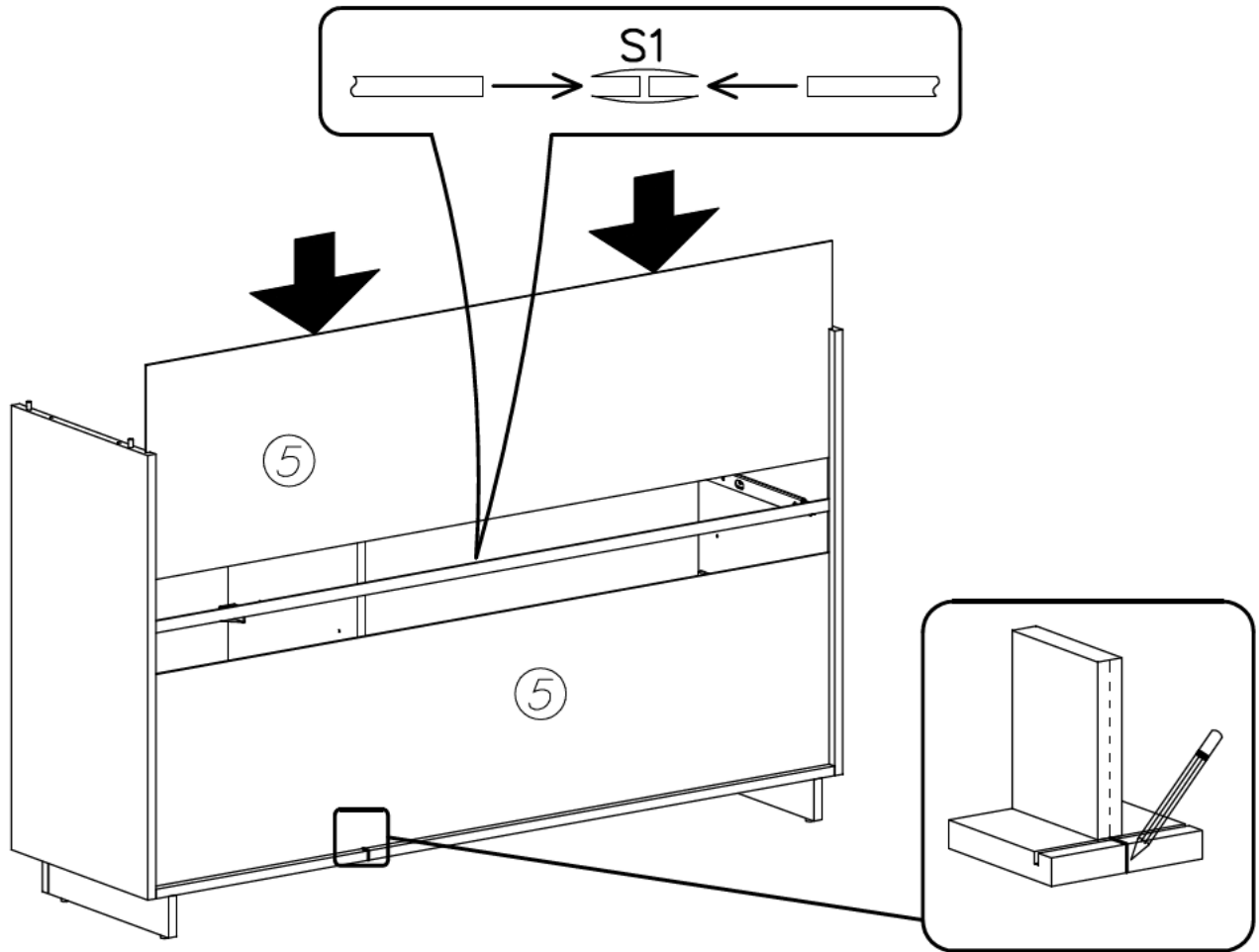
IX



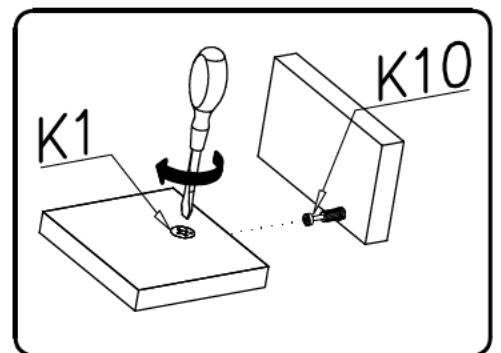
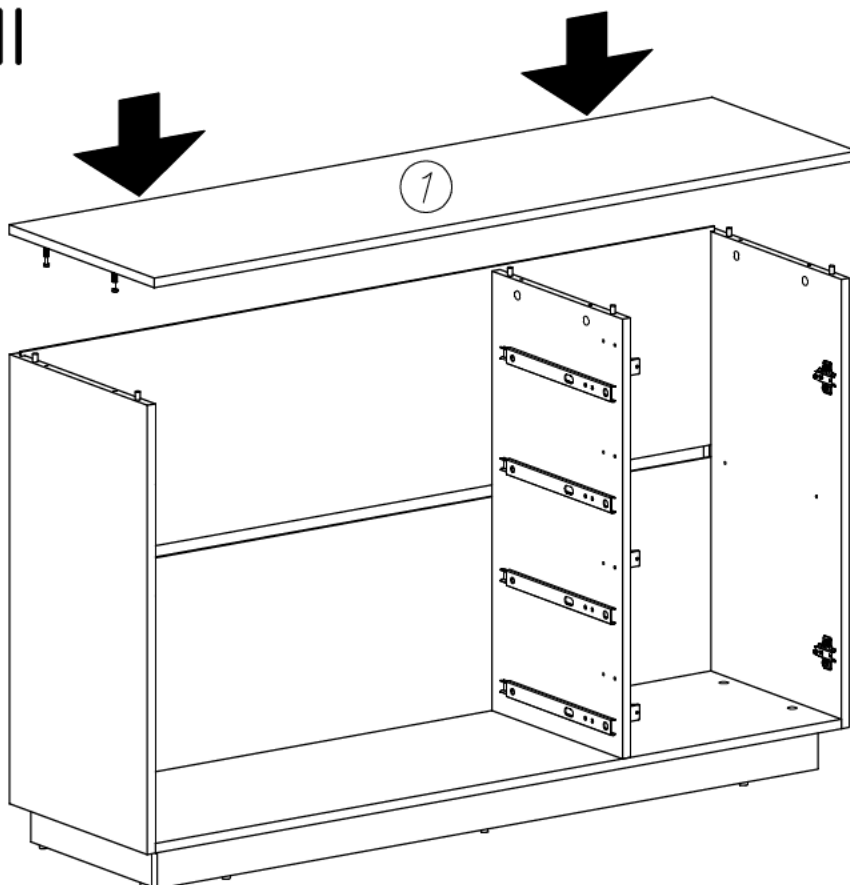
X



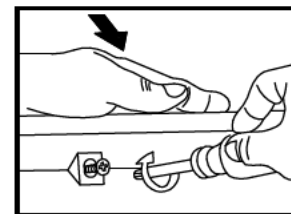
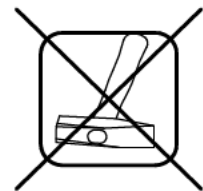
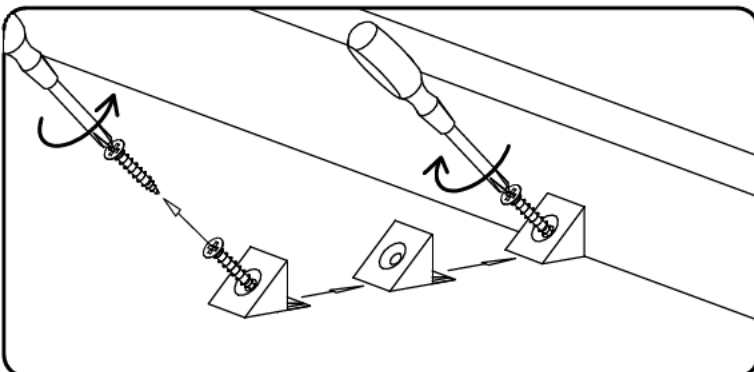
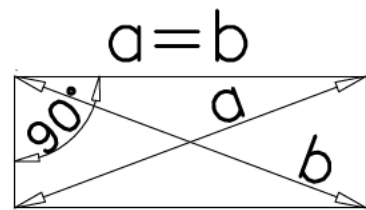
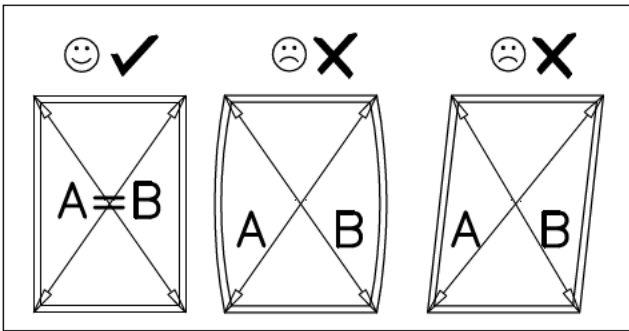
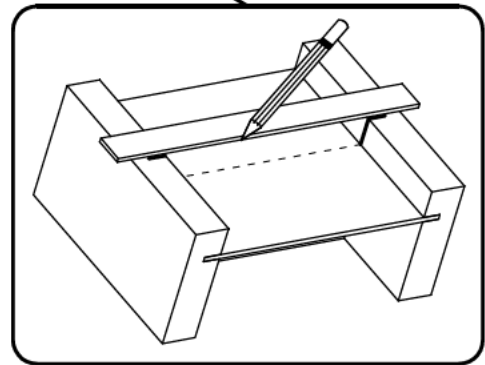
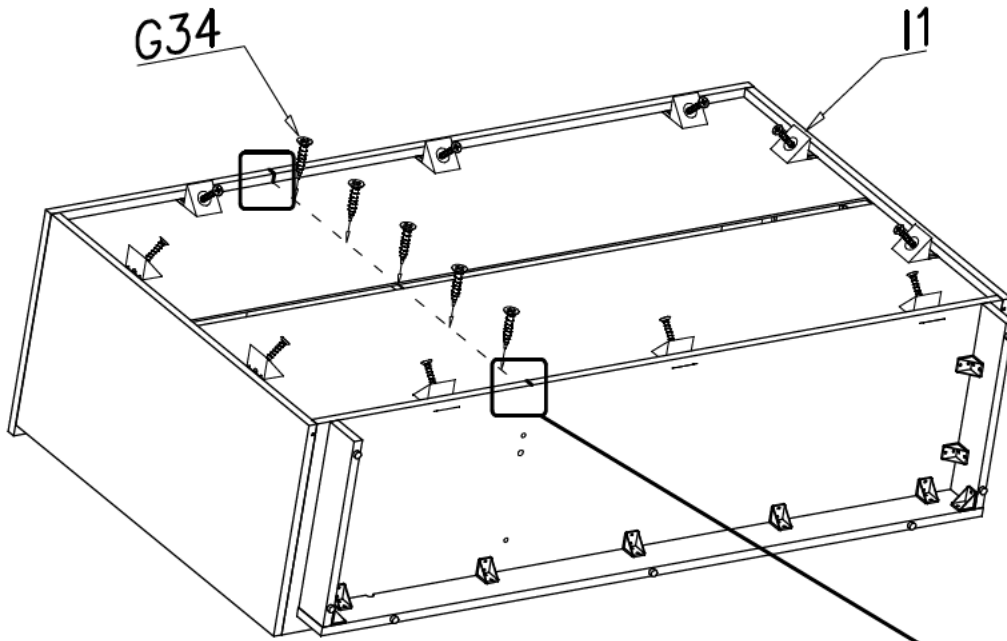
XI



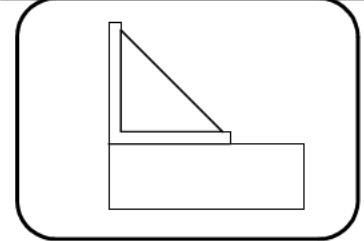
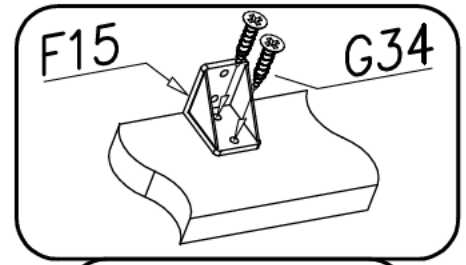
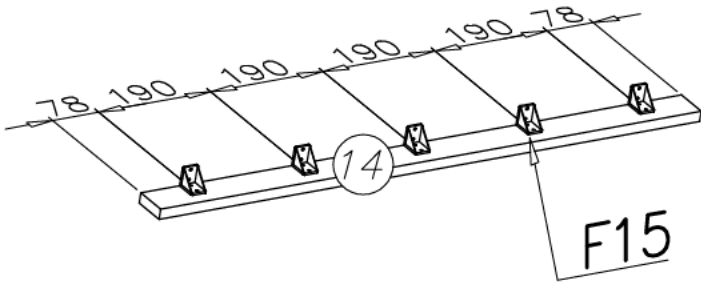
XII



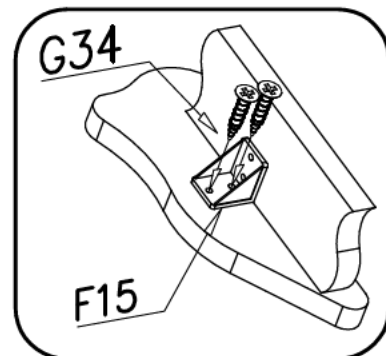
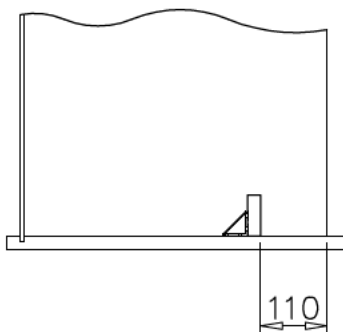
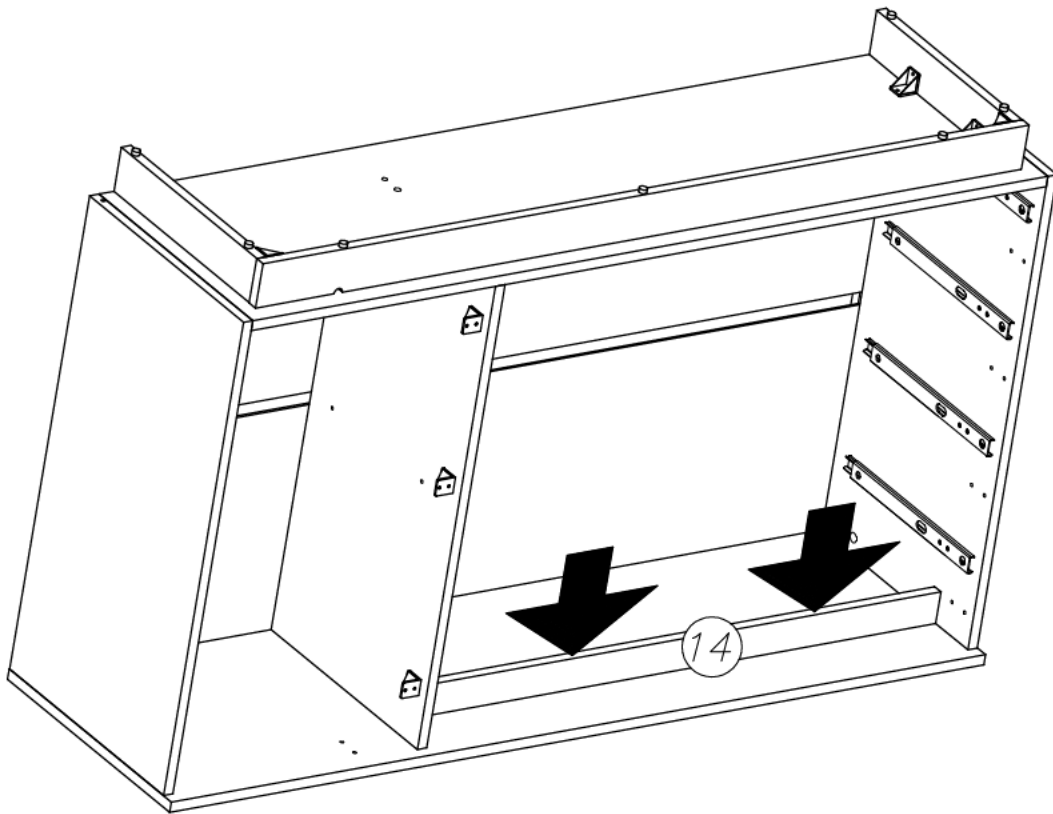
XIII



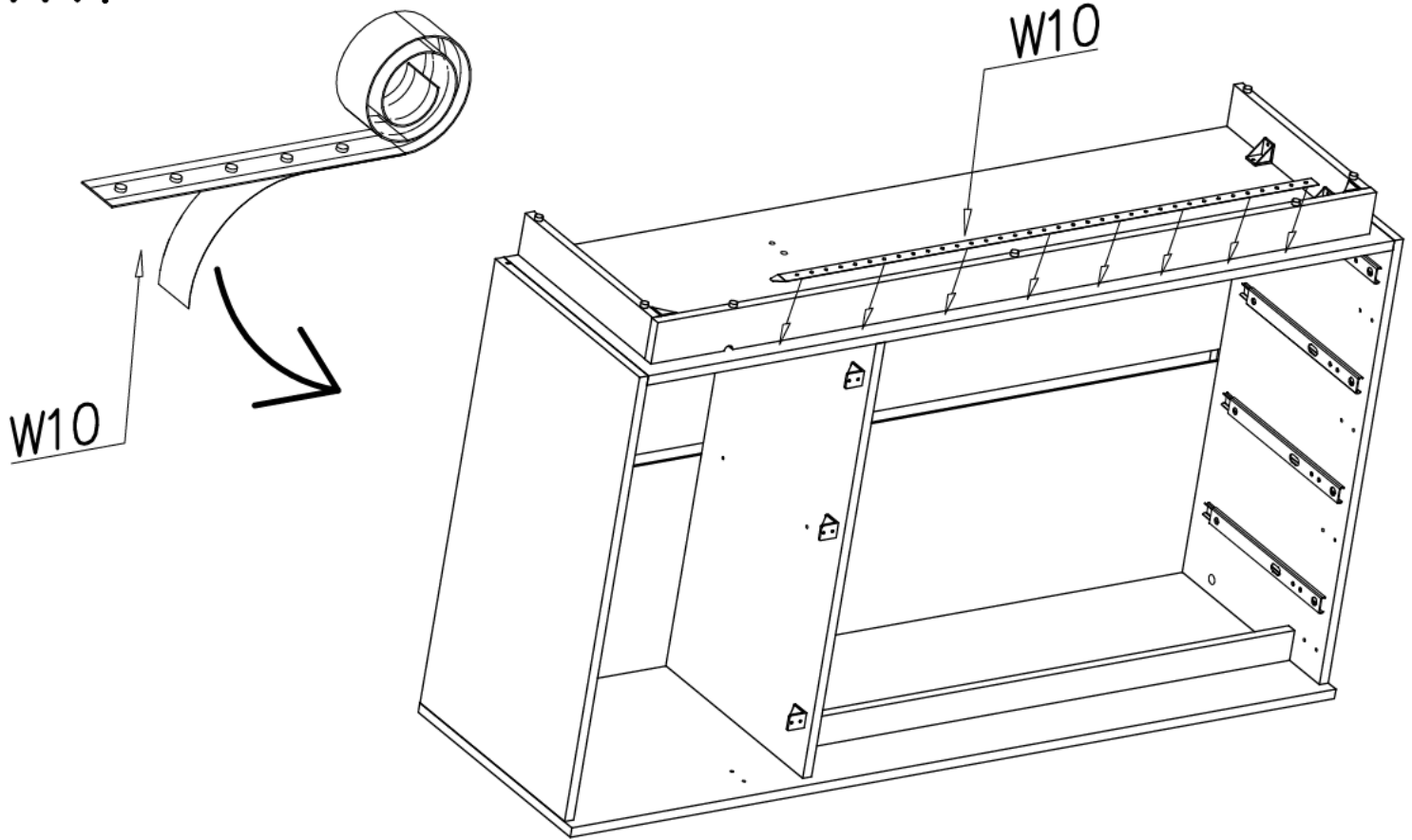
XIV



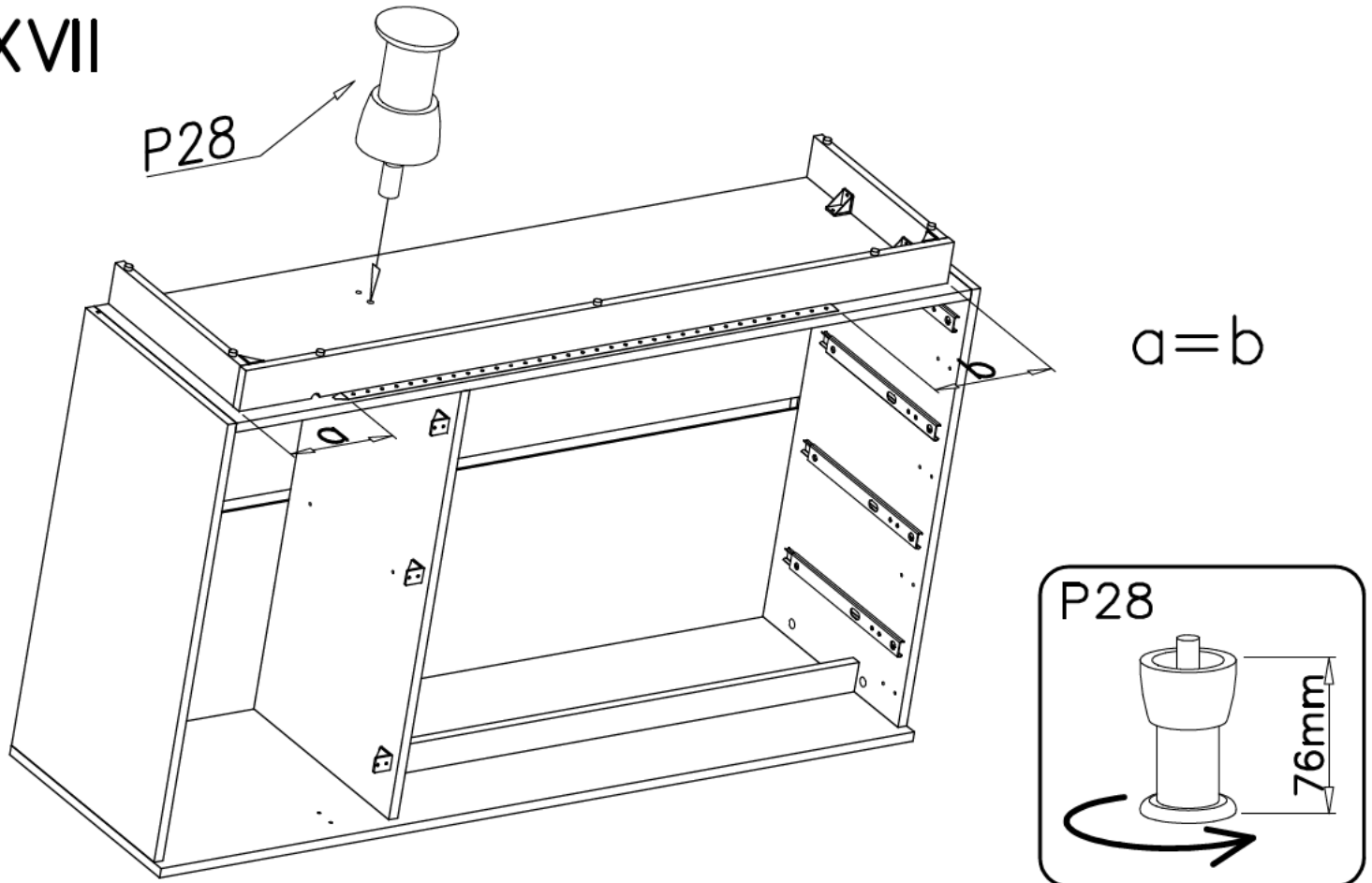
XV



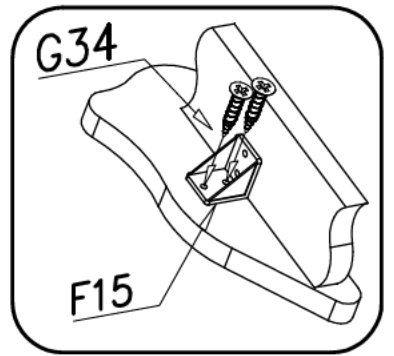
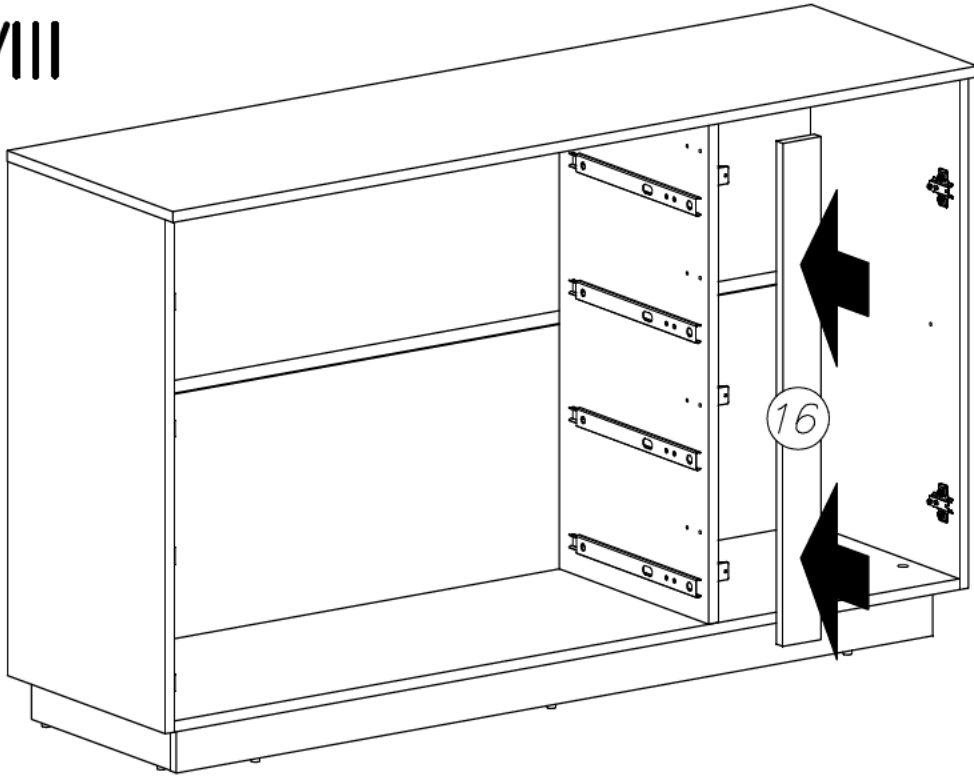
XVI



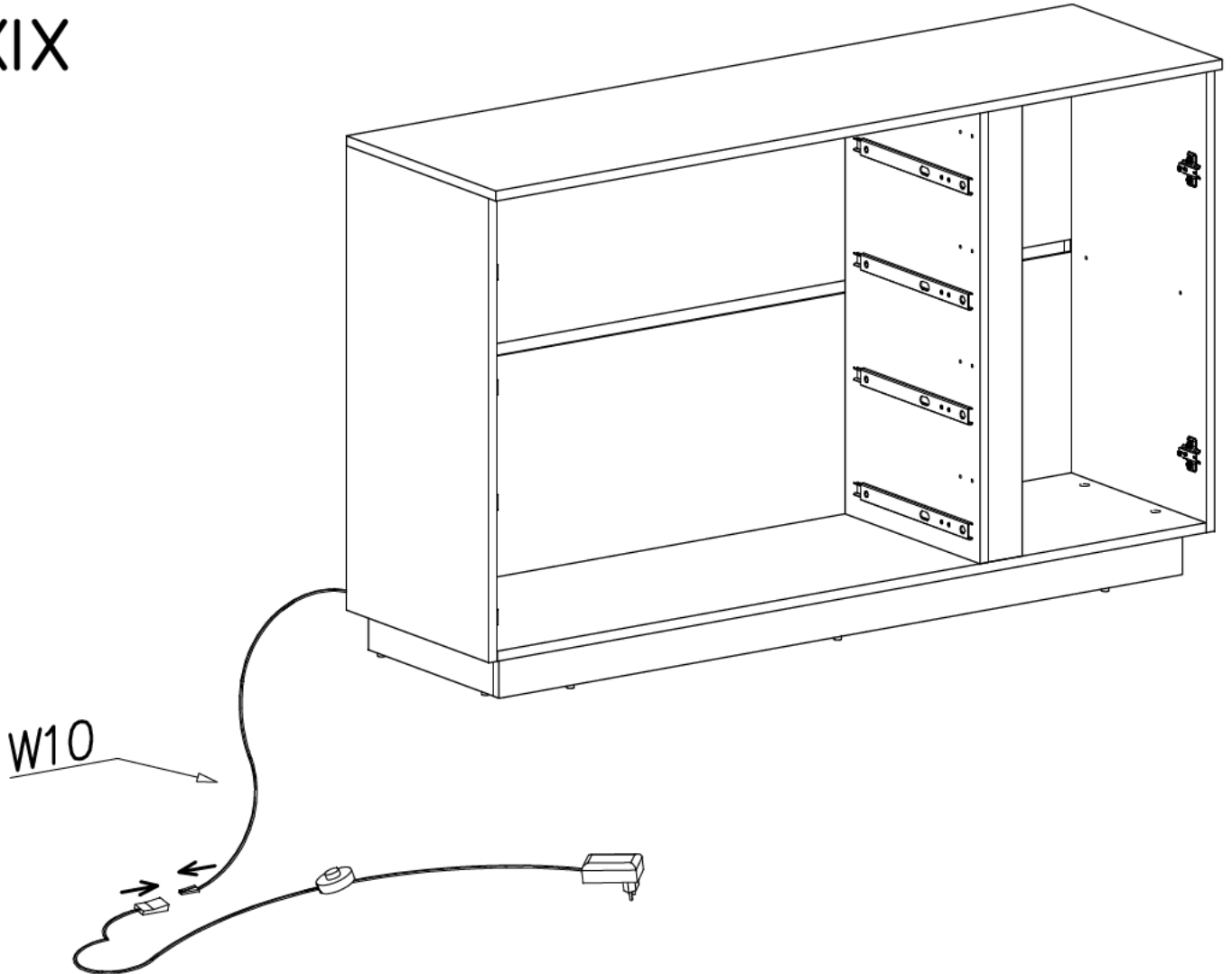
XVII



XVIII

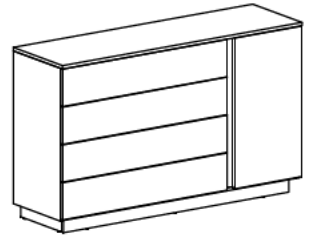
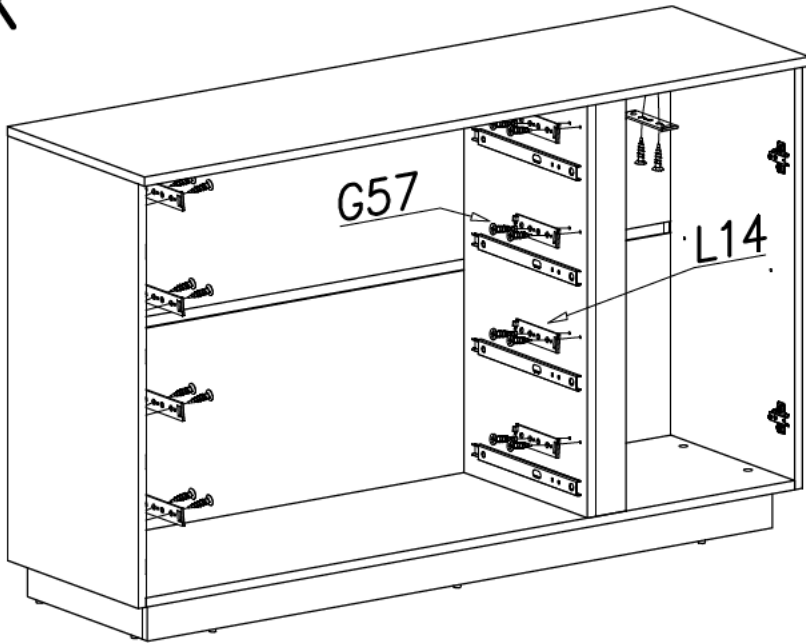


XIX

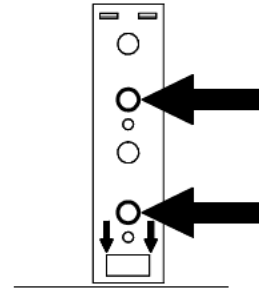


XX

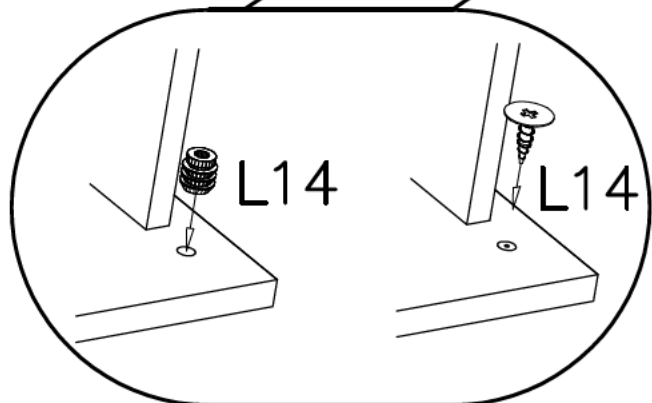
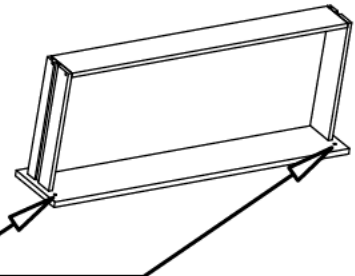
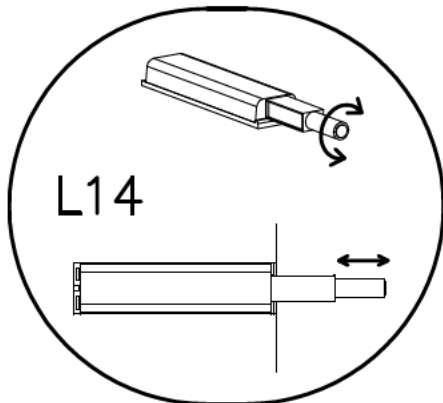
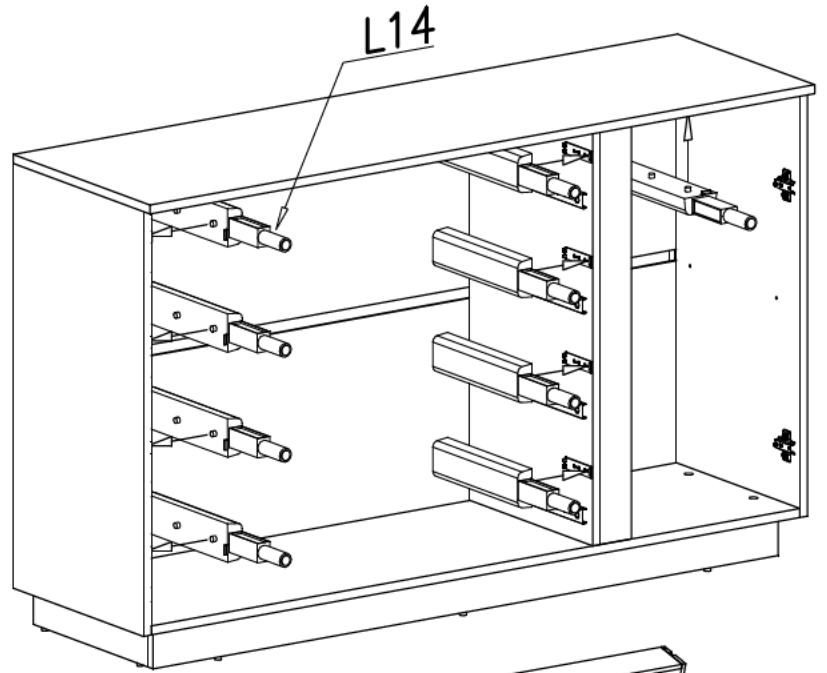
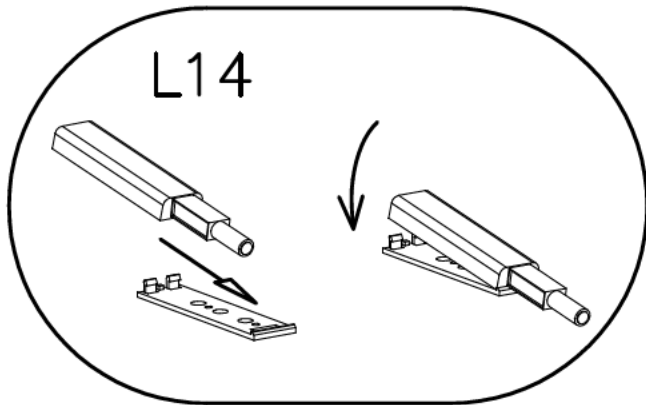
OPCJA B



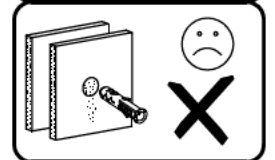
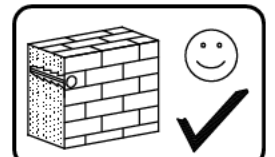
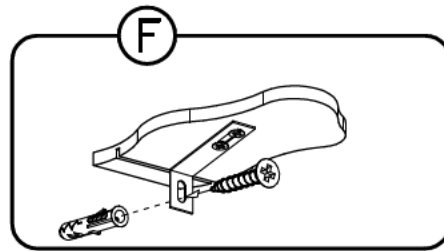
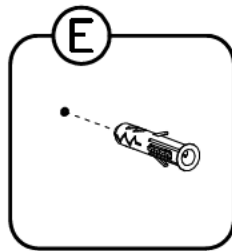
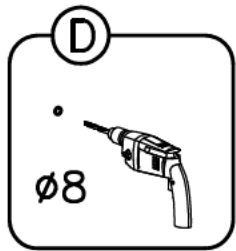
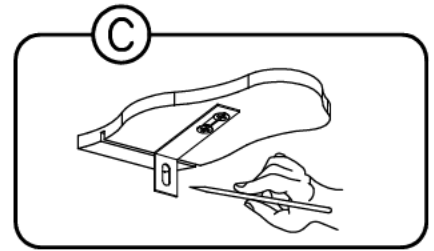
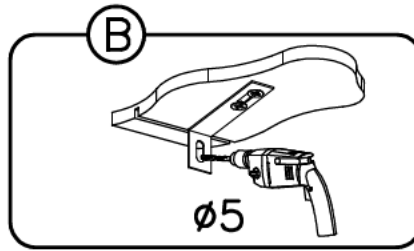
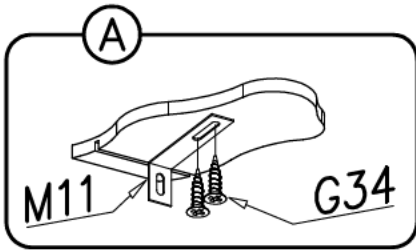
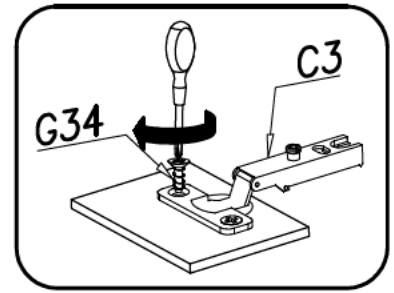
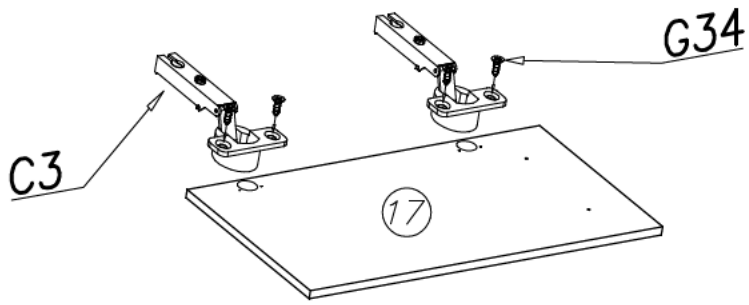
PUSH



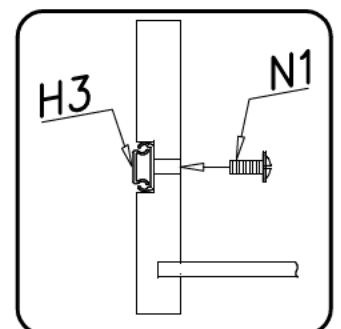
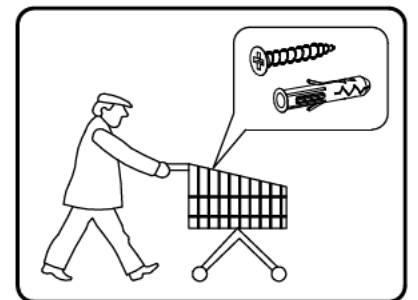
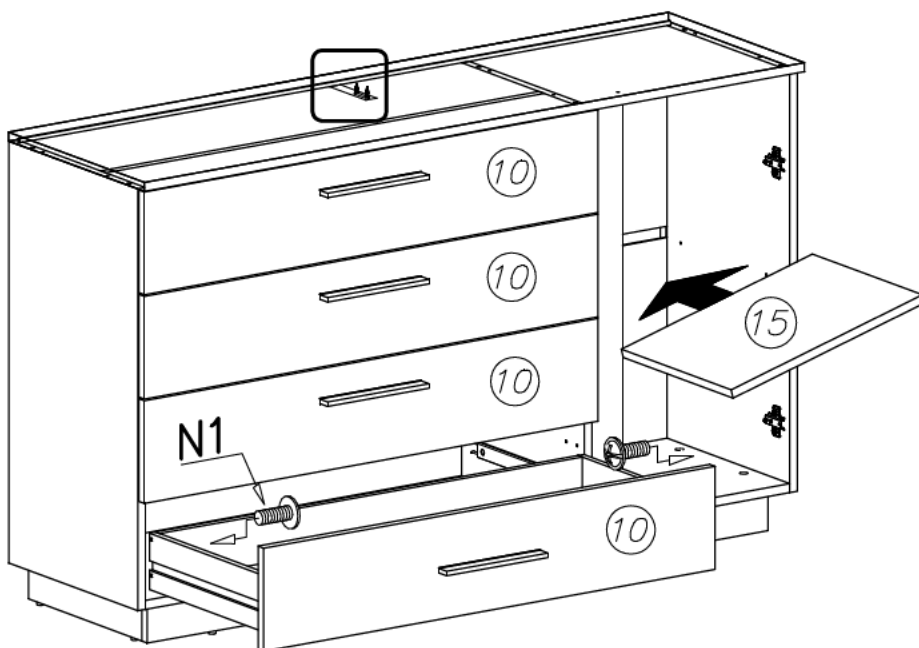
front



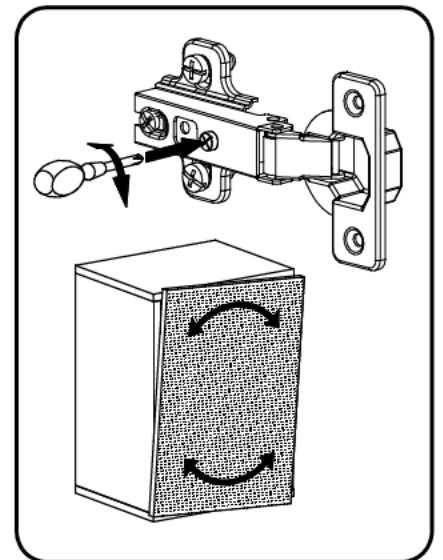
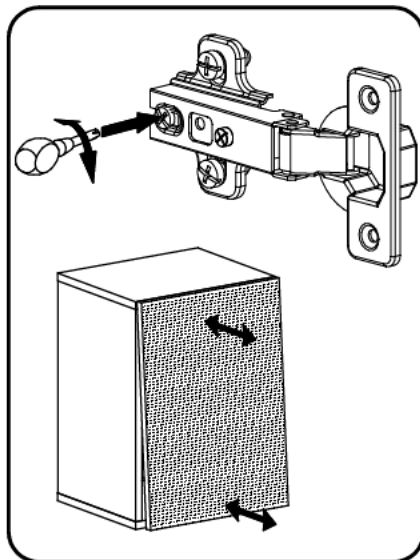
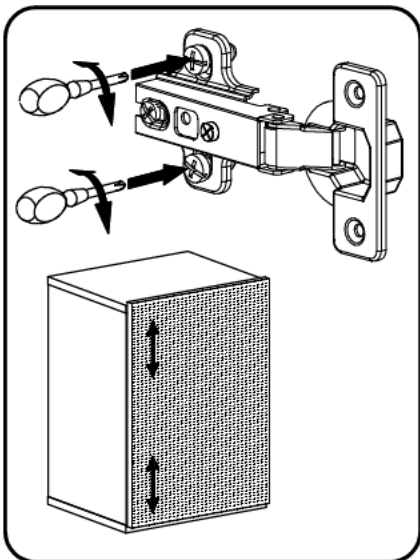
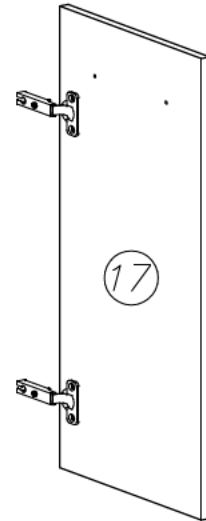
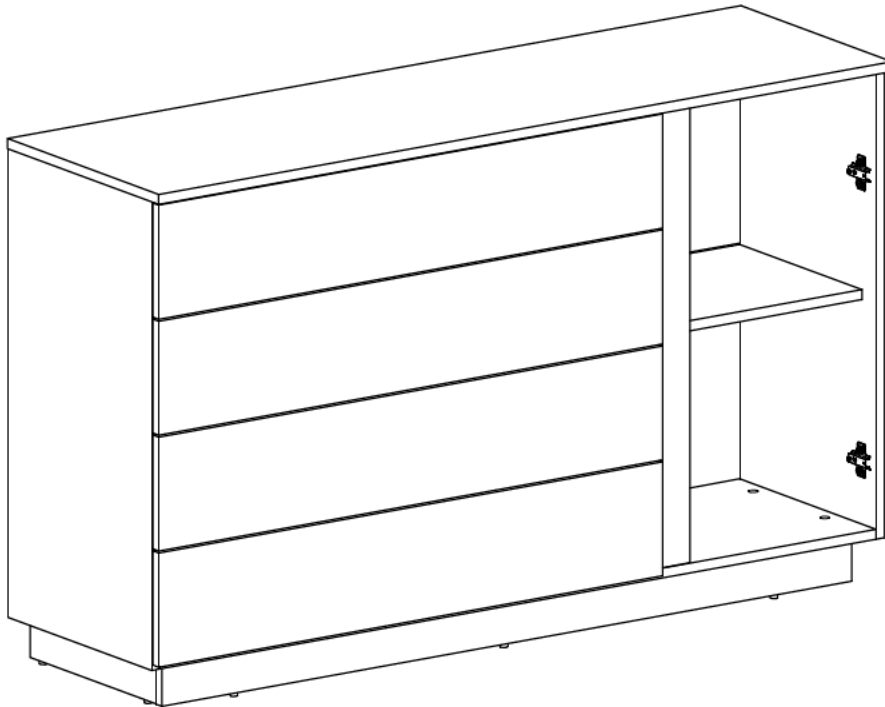
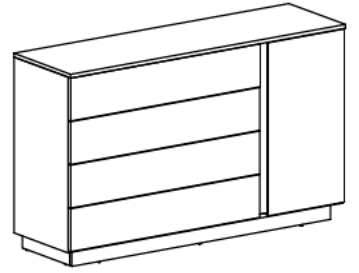
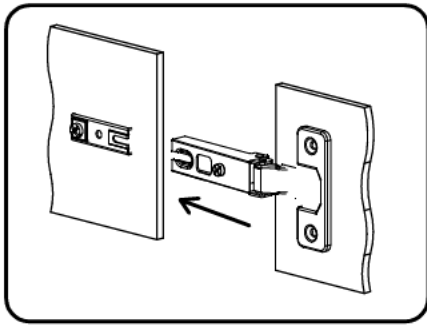
XXI



XXII



XXIII



XXIV

