


WARDROBE

Assembly instruction- Please keep for future reference



Dimensions	No. People	Assembly Time
Width: 75 cm Depth: 50 cm Height: 181 cm		90 mins (approx)

Important-Please read these instructions fully before starting assembly

⚠ Safety and Care Advice

Important-Please read these instructions fully before starting assembly

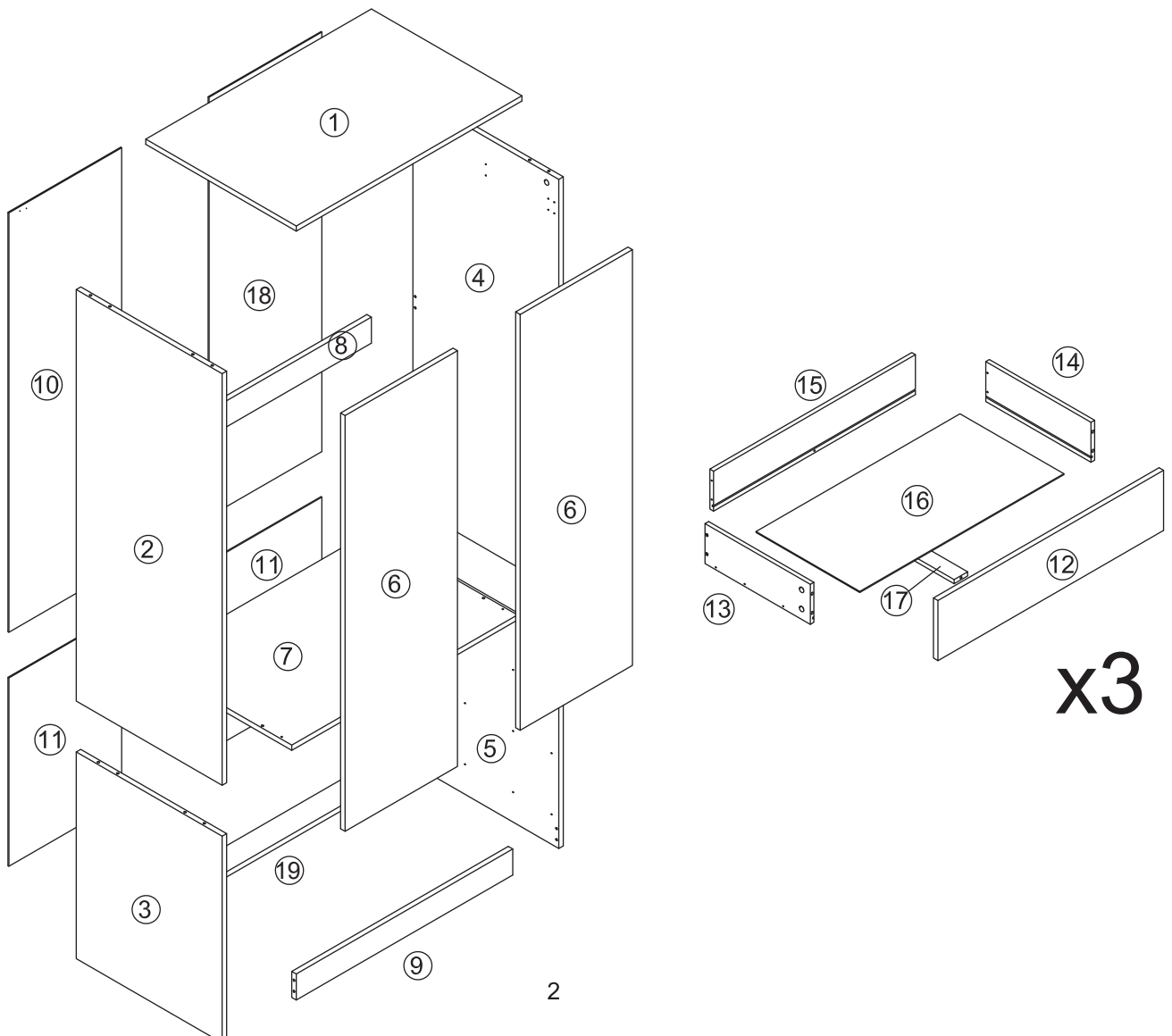
- Check you have all the components and tools listed on pages 2,3 and 4.
- Remove all fittings from the plastic bags and separate them into their groups.
- Keep children and animals away from the work area, small parts could choke if swallowed.
- Make sure you have enough space to lay out the parts before starting.
- Do not stand or put weight on the product, this could cause damage.
- Assemble the item as close to its final position (in the same room) as possible.
- Assemble on a soft, level surface to avoid damaging the unit or your floor.
- We do not recommend the use of power drill/drivers for inserting screw, as this could damage the unit. only use hand screwdrivers.
- Dispose of all packaging carefully and responsibly.



Care and Maintenance

- Only clean using a damp cloth and mild detergent, do not use bleach or abrasive cleaners.
- From time to time check that there are no loose screws on this unit.
- This product should not be discarded with household waste. Take to your local authority waste disposal centre.

Components - Panels



Components - Panels

Please check that you have all the components listed below before constructing your item.

Part No	Description	Qty	Thickness (mm)
1	Top Panel	1	15 mm
2	Upper Left Side Panel	1	15 mm
3	Lower Left Side Panel	1	15 mm
4	Upper Right Side Panel	1	15 mm
5	Lower Right Side Panel	1	15 mm
6	Door	2	15 mm
7	Horizontal Panel	1	15 mm
8	Upper Back Support Panel	1	15 mm
9	Lower Front Panel	1	15 mm
10	Back Panel	1	3 mm
11	Back Panel	2	3 mm
12	Drawer Front Panel	3	15 mm
13	Drawer Left Side Panel	3	15 mm
14	Drawer Right Side Panel	3	15 mm
15	Drawer Back Panel	3	15 mm
16	Drawer Bottom Panel	3	3 mm
17	Drawer Support Panel	3	15 mm
18	Back Panel	1	3 mm
19	Lower Back Support Panel	1	15 mm

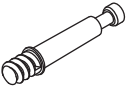


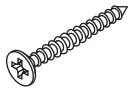



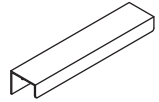
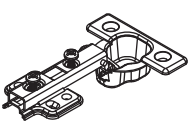
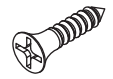
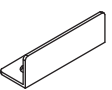




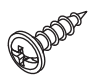
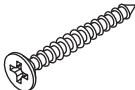
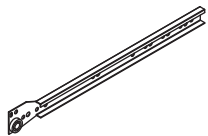
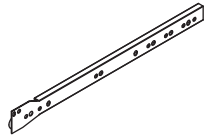
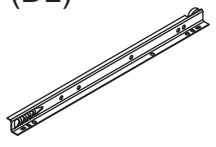
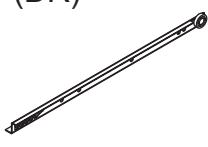
Important-Please read these instructions fully before starting assembly

Components - Fixings


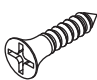
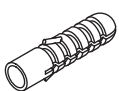
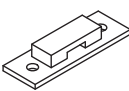
Please check that you have all the components listed below before constructing your item.

Note: The quantities below are the correct amount to complete the assembly. In some cases more fittings may be supplied than are required.

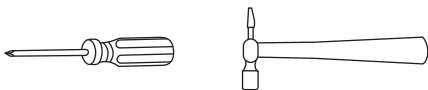
HARDWARE

(A)  Cam Bolt M6x35mm X 35	(B)  Cam Lock M15x10mm X 35	(C)  Dowel M6x30mm X 12	(D)  M4x35mm X 19	(E)  M3x12mm X 48	(F)  Leg Pin X 4
(G)  Nail X 48	(H)  Handle X 5	(I)  Hinges X 6	(J)  M3.5x14mm X 40	(K)  Door Stopper X 1	(L)  Hanger Bracket X 2
(M)  Hanger Rod x1	(N)  Lower Connection Stripe X 1	(O)  Upper Connection Stripe X 1	(P)  Backboard screws M2.5x14mm X 6	(Q)  M4x40mm X 4	
(CL)  Drawer Slide X 3	(CR)  Drawer Slide X 3	(DL)  Drawer Slide X 3	(DR)  Drawer Slide X 3		

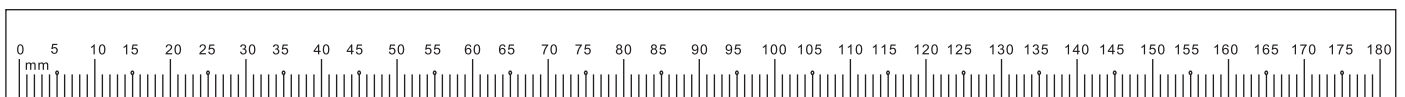
ANTI - TIPPING KITS

(S)  Strap X 2	(J)  M3.5x14mm X 4	(T)  Wall Plug X 4	(U)  Bracket X 4
---	---	---	---

Tools Required (Not Provided)

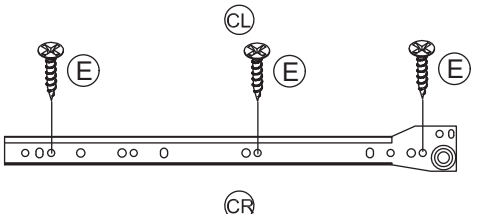
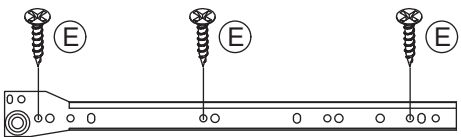
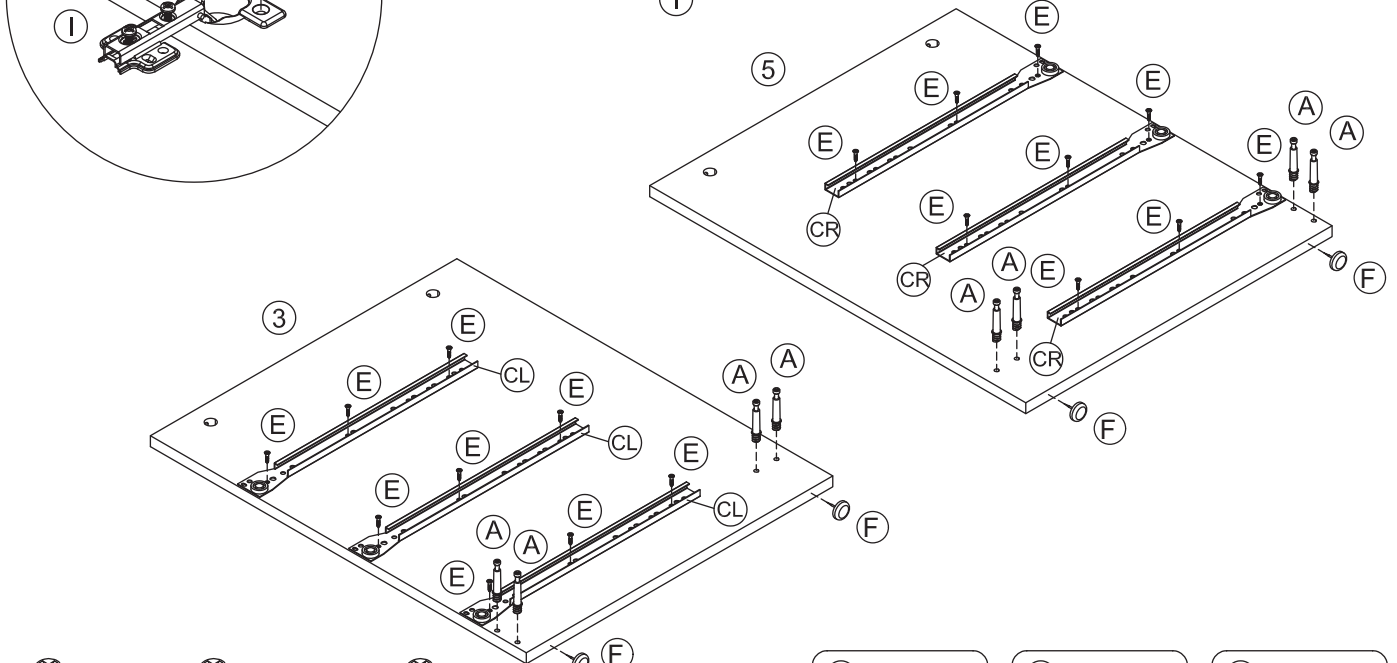
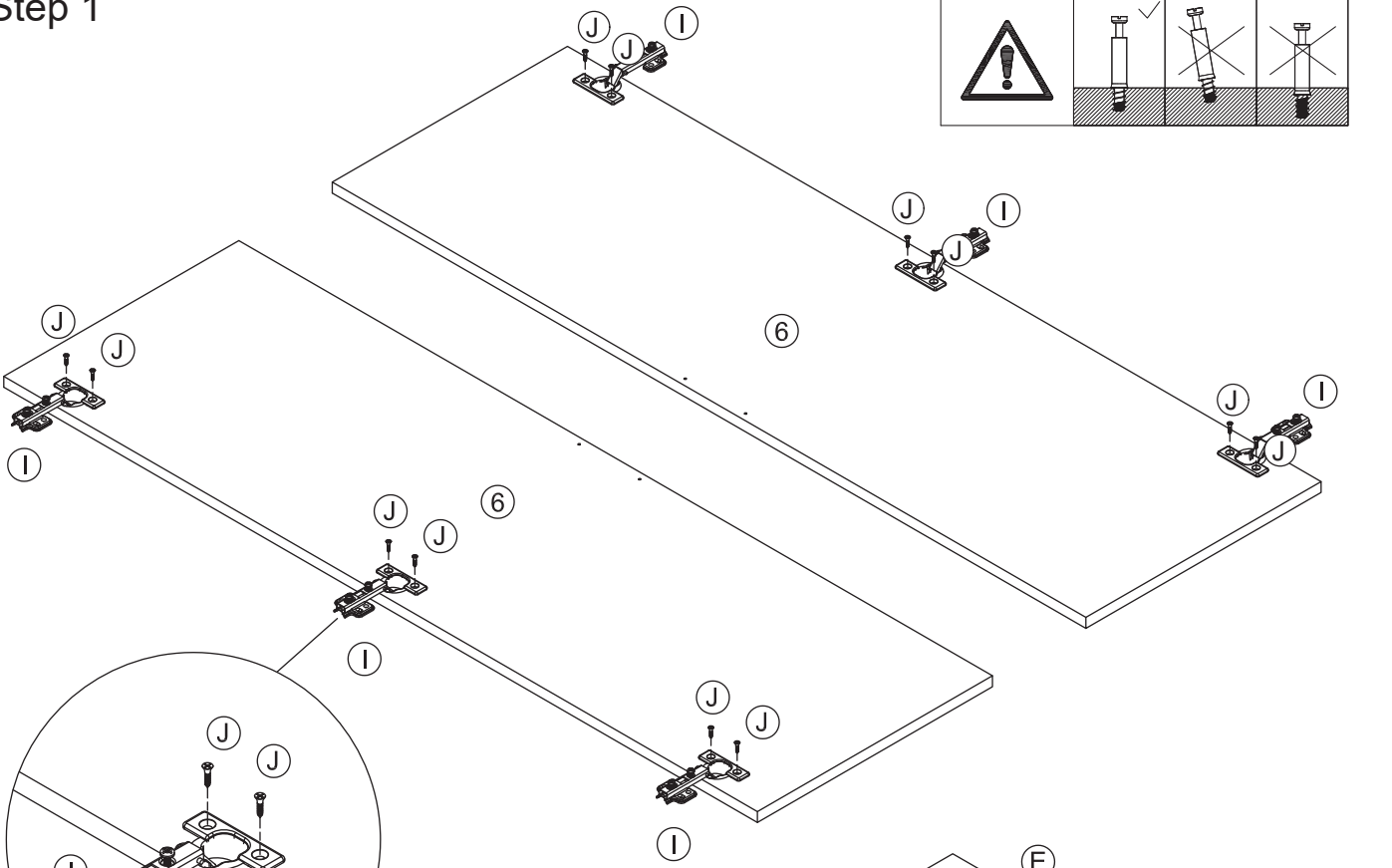
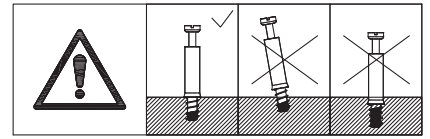


Ruler - Use this to measure your screws (mm)



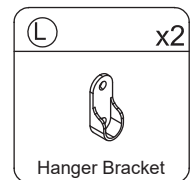
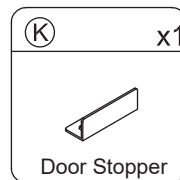
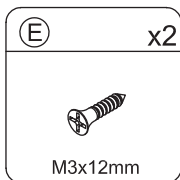
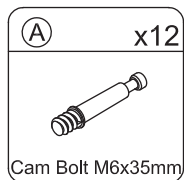
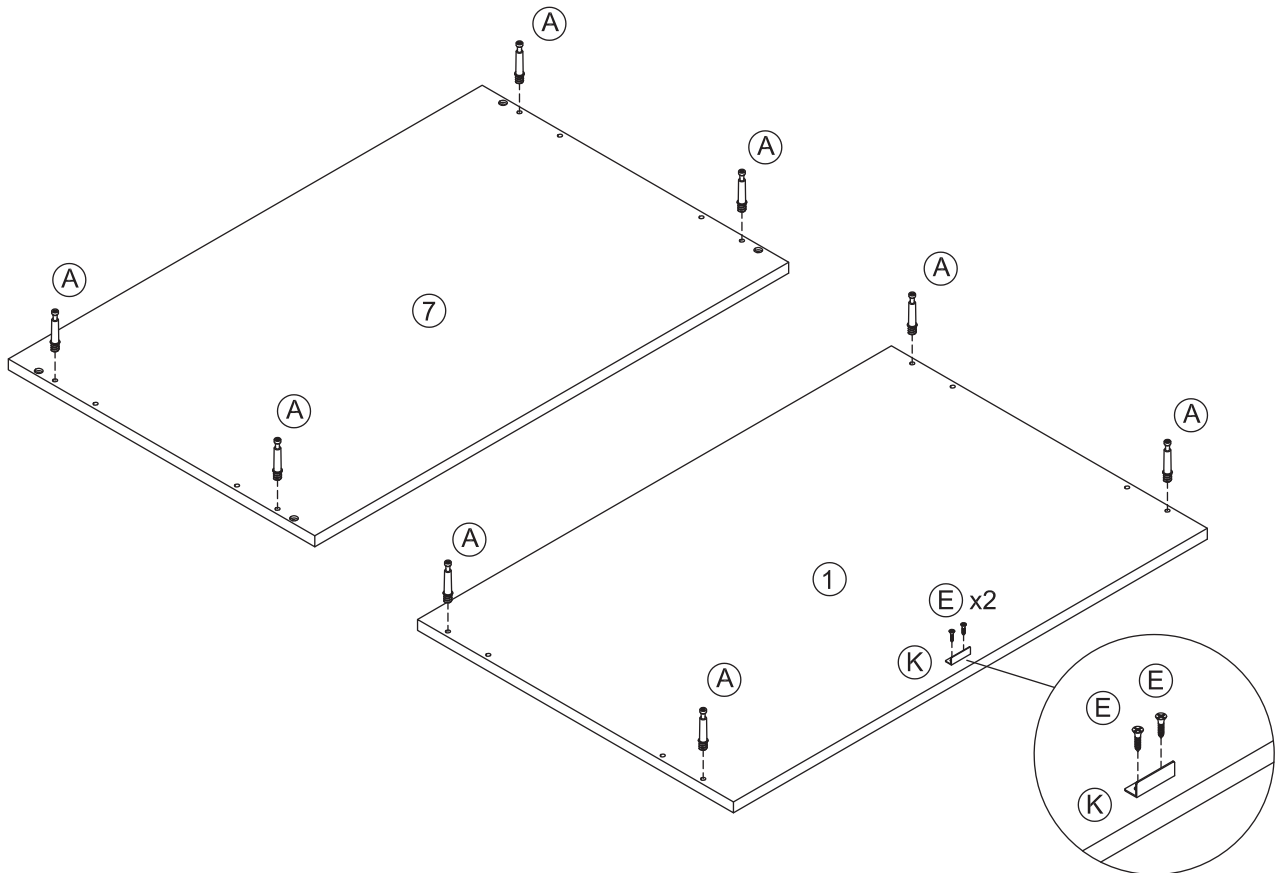
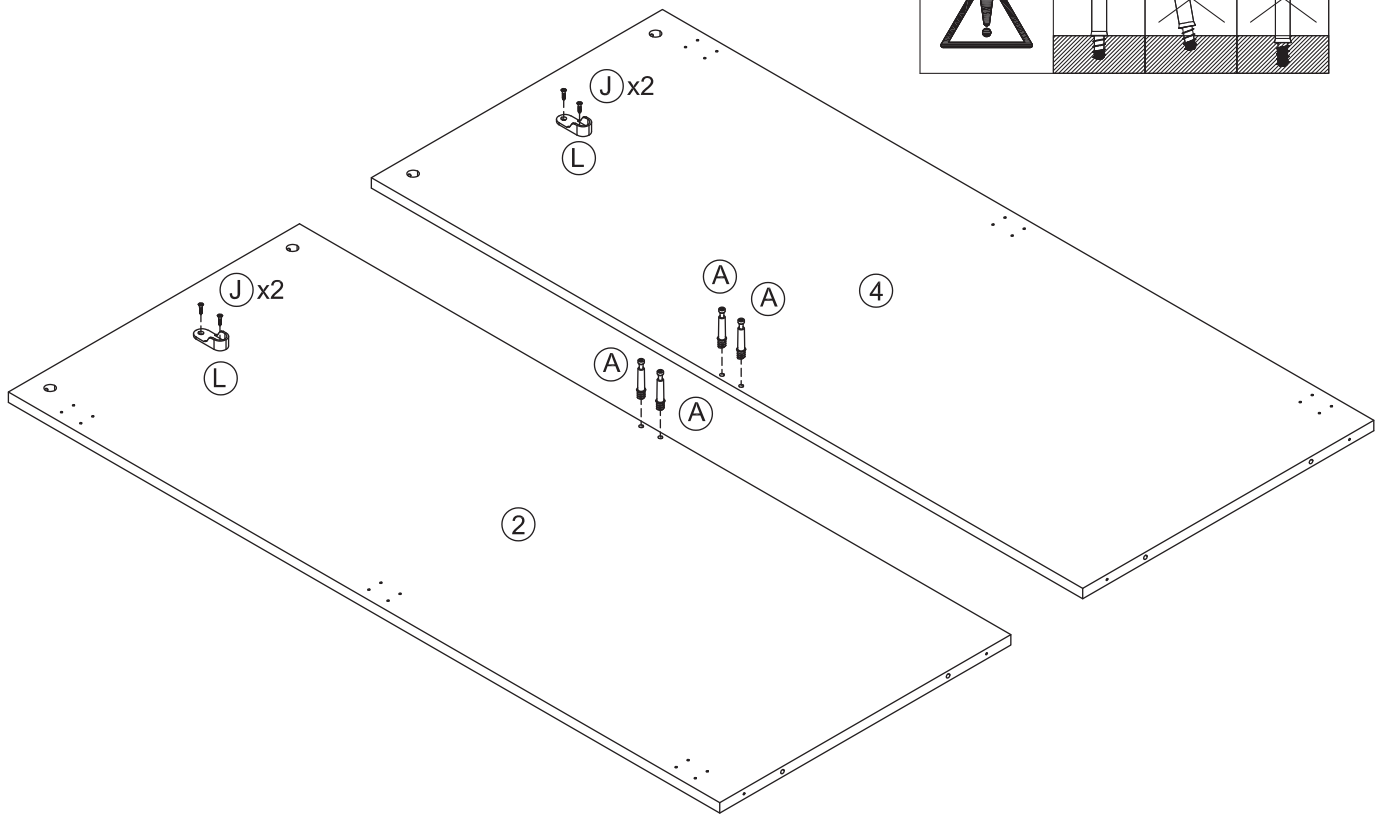
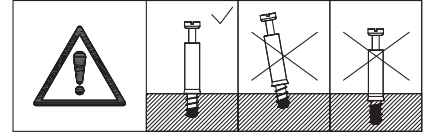
Assembly Instructions

Step 1

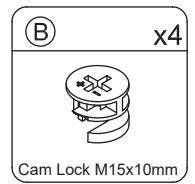
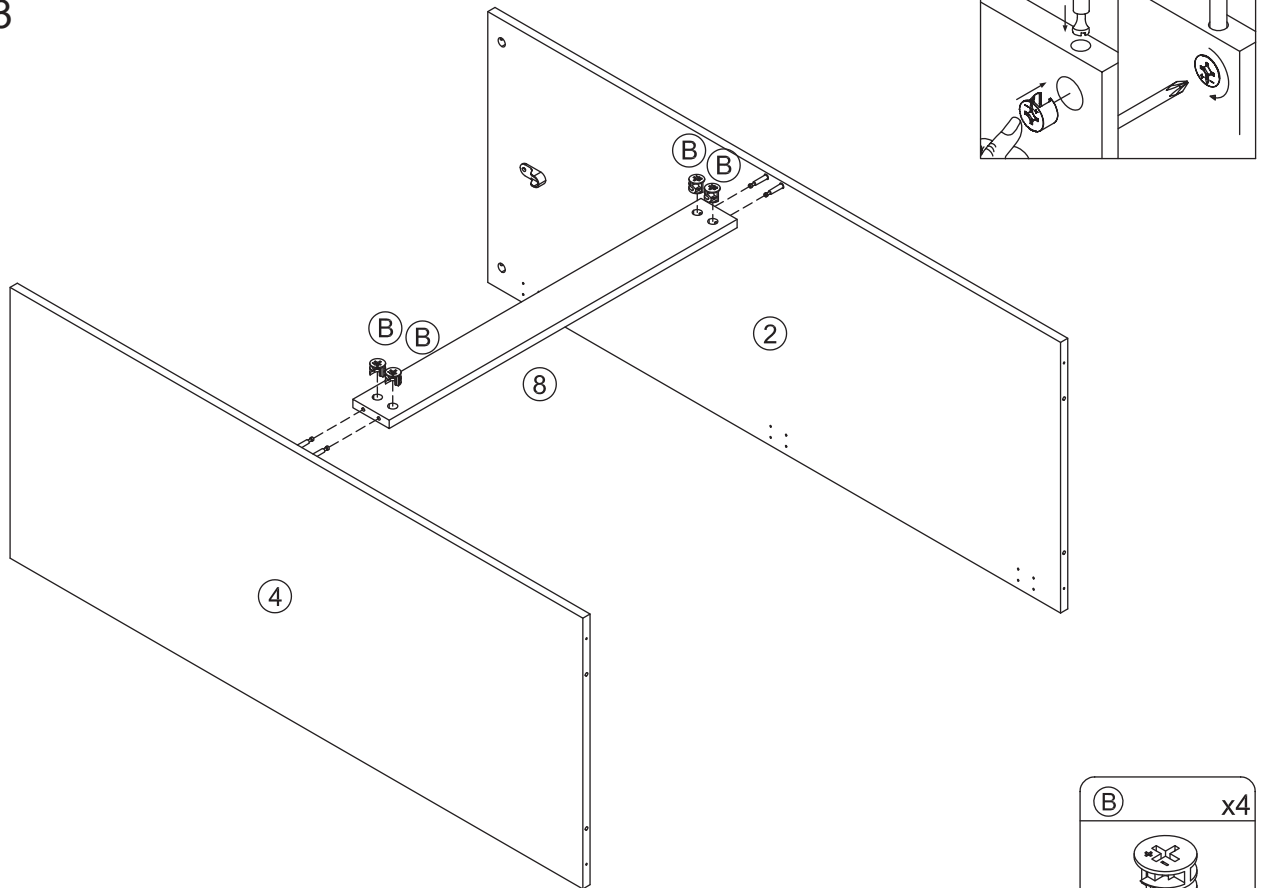


(A) x8 Cam Bolt M6x35mm	(E) x18 M3x12mm	(I) x6 Hinges
(F) x4 Leg Pin	(J) x12 M3.5x14mm	(CL) x3
		(CR) x3

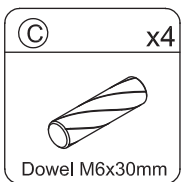
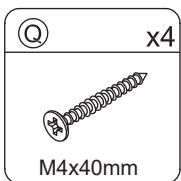
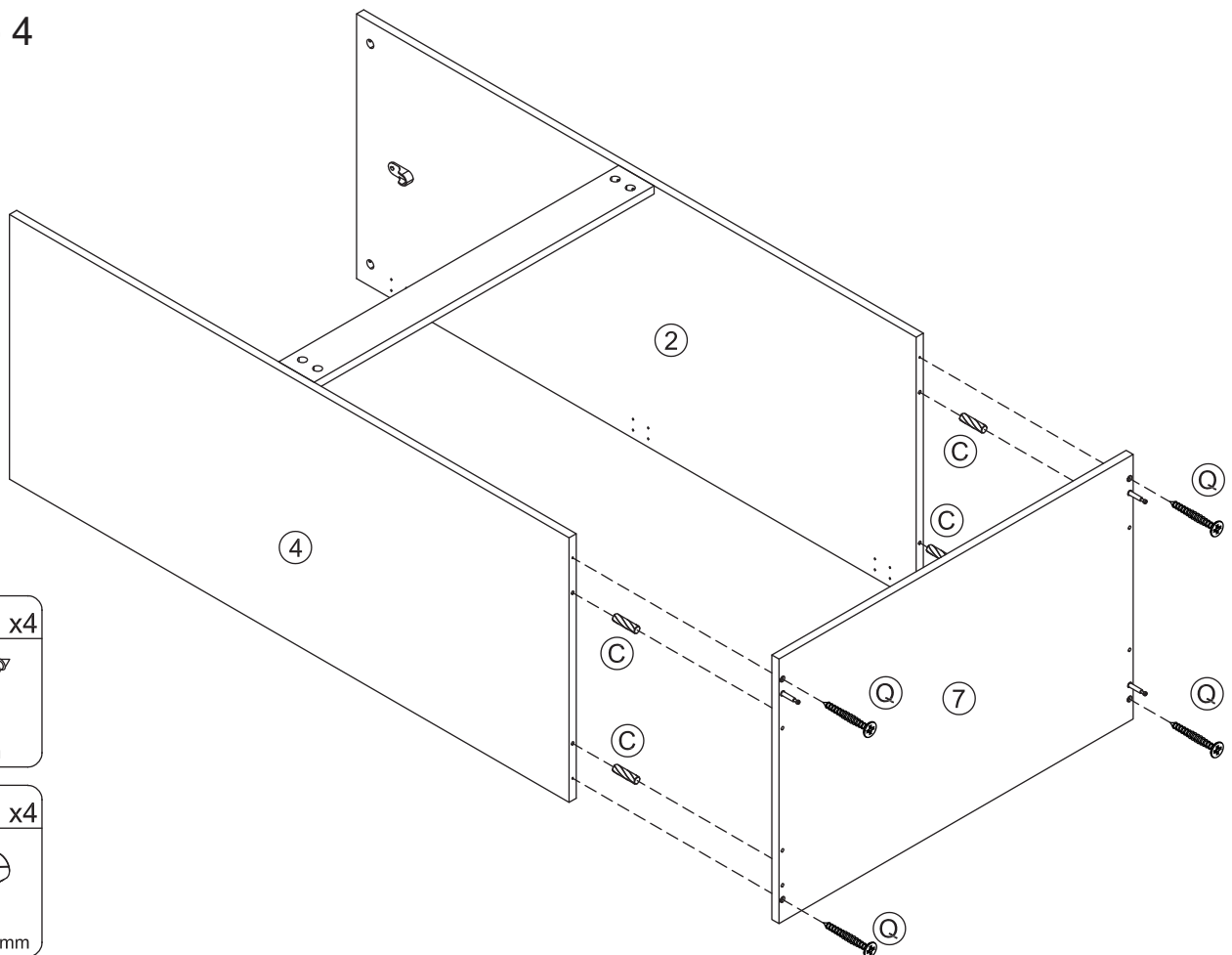
Step 2



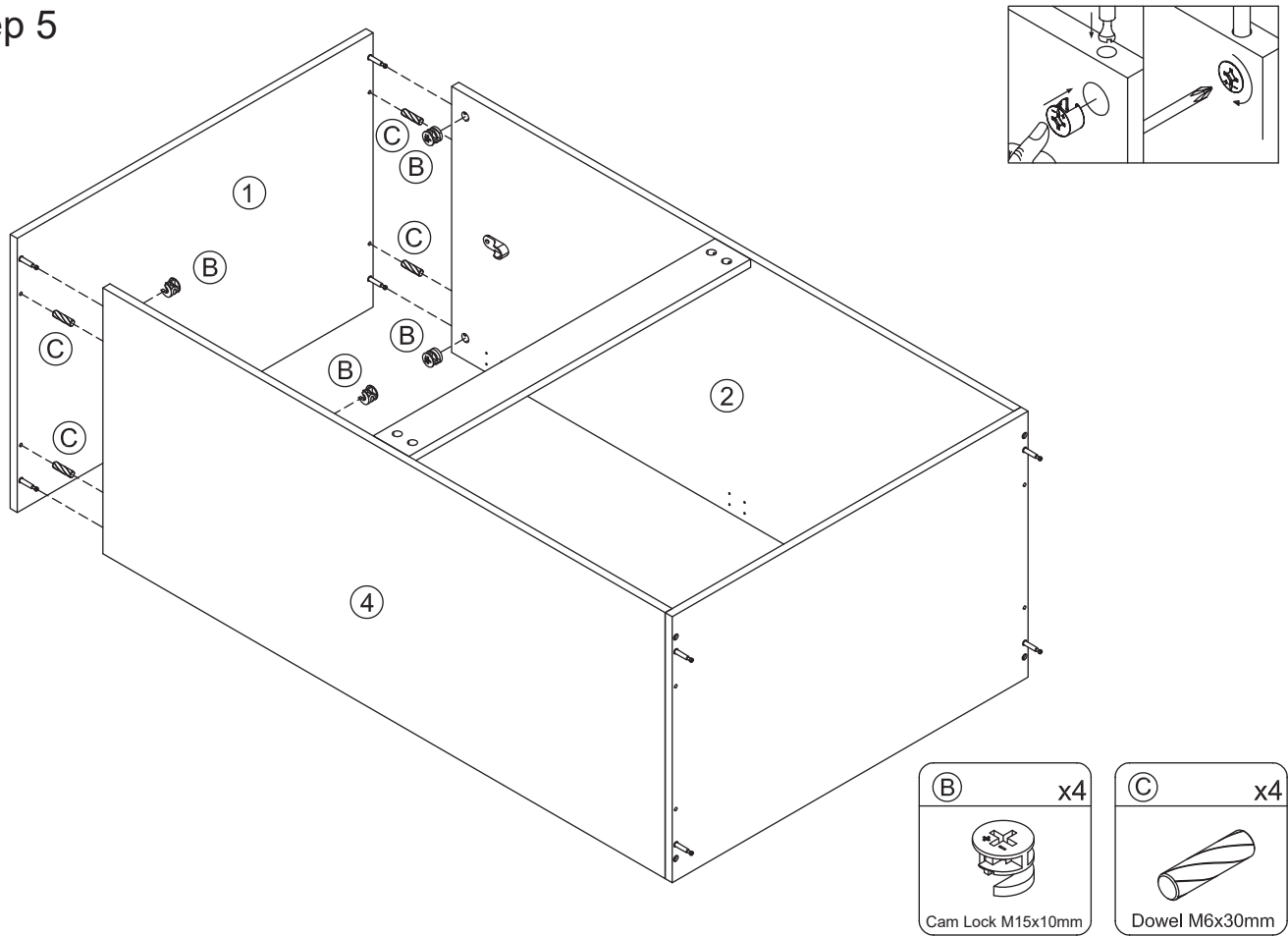
Step 3



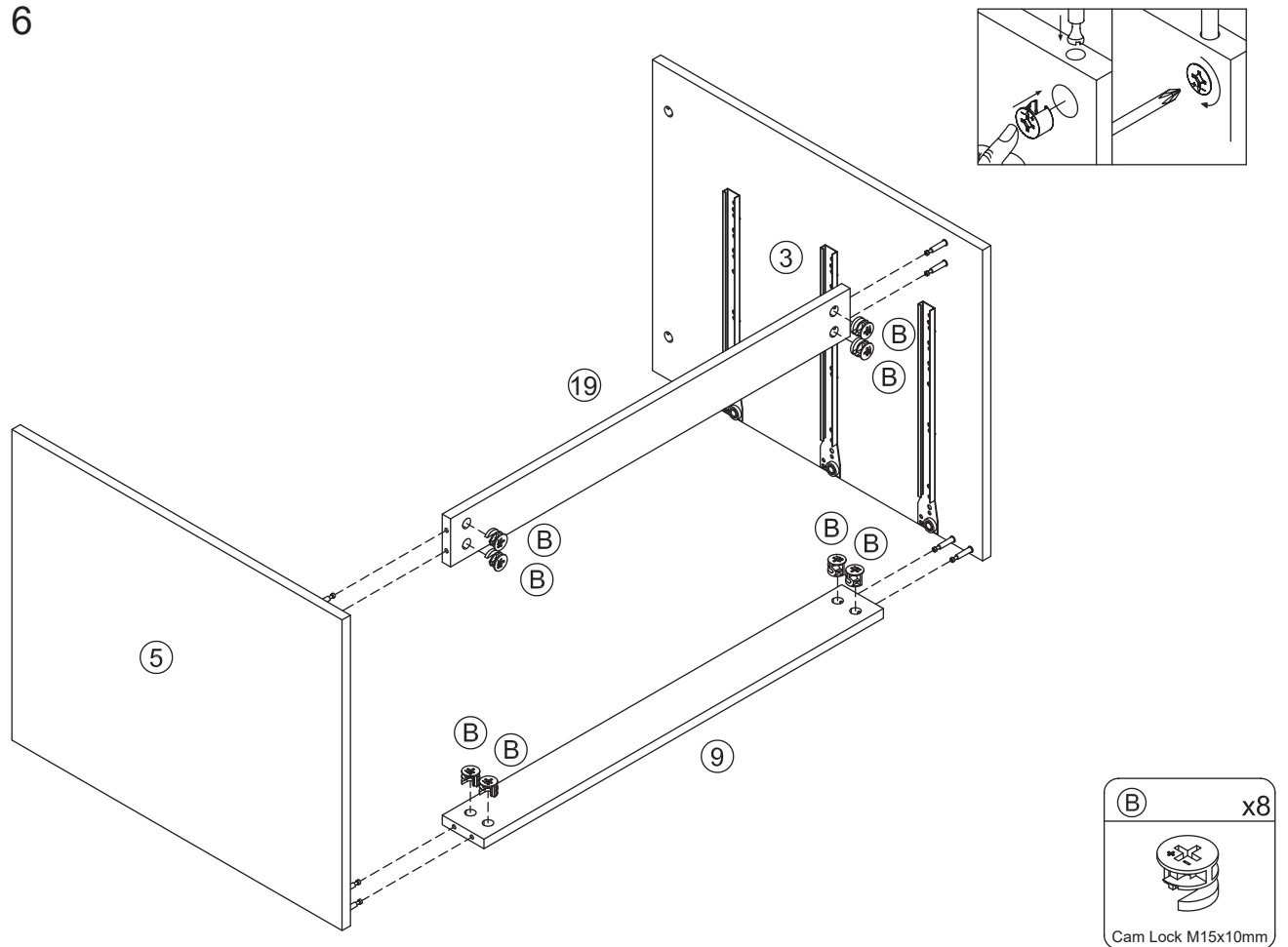
Step 4



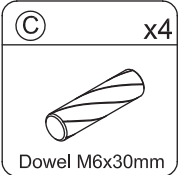
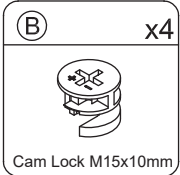
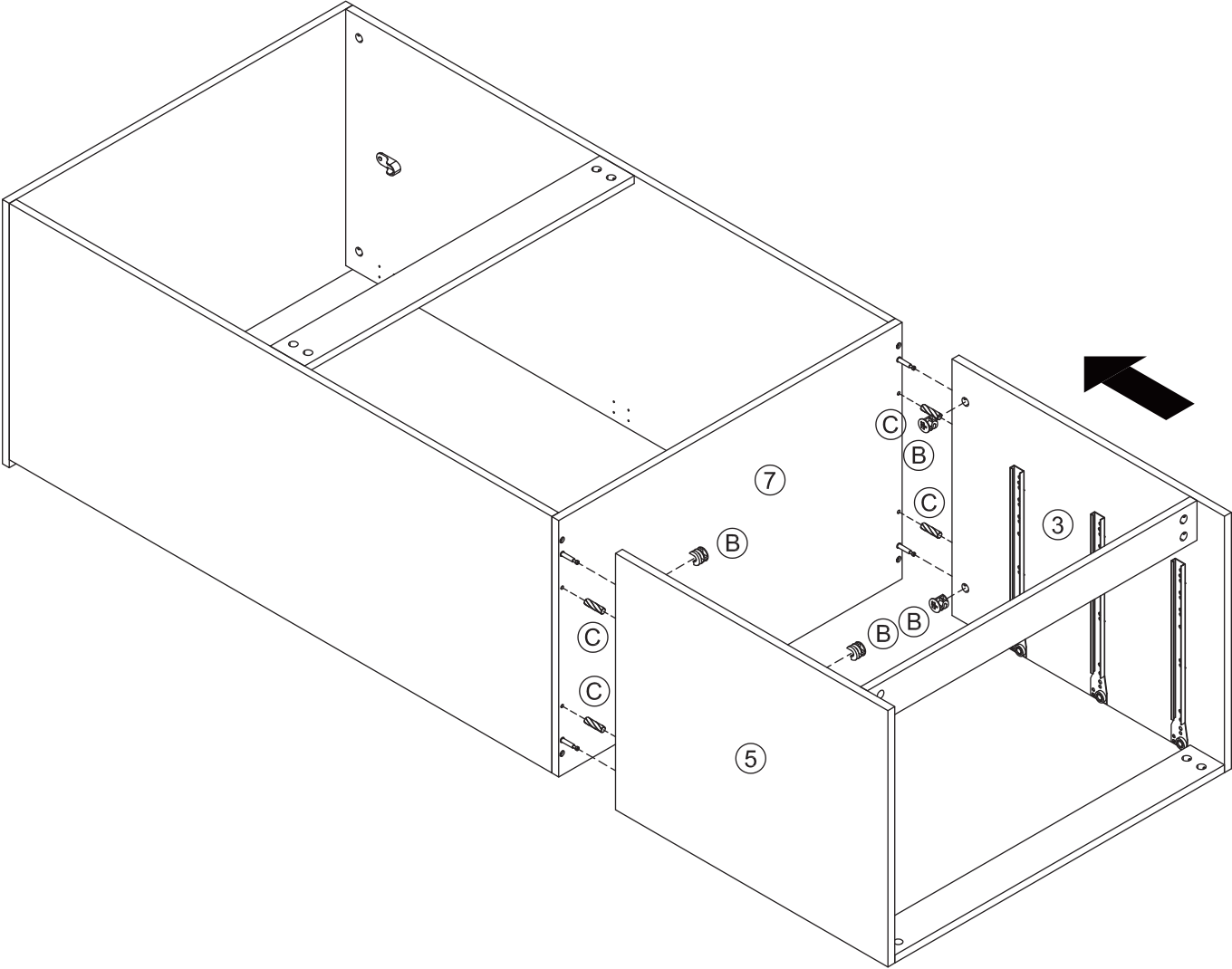
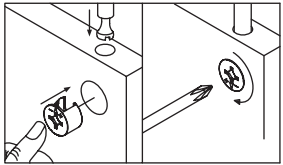
Step 5



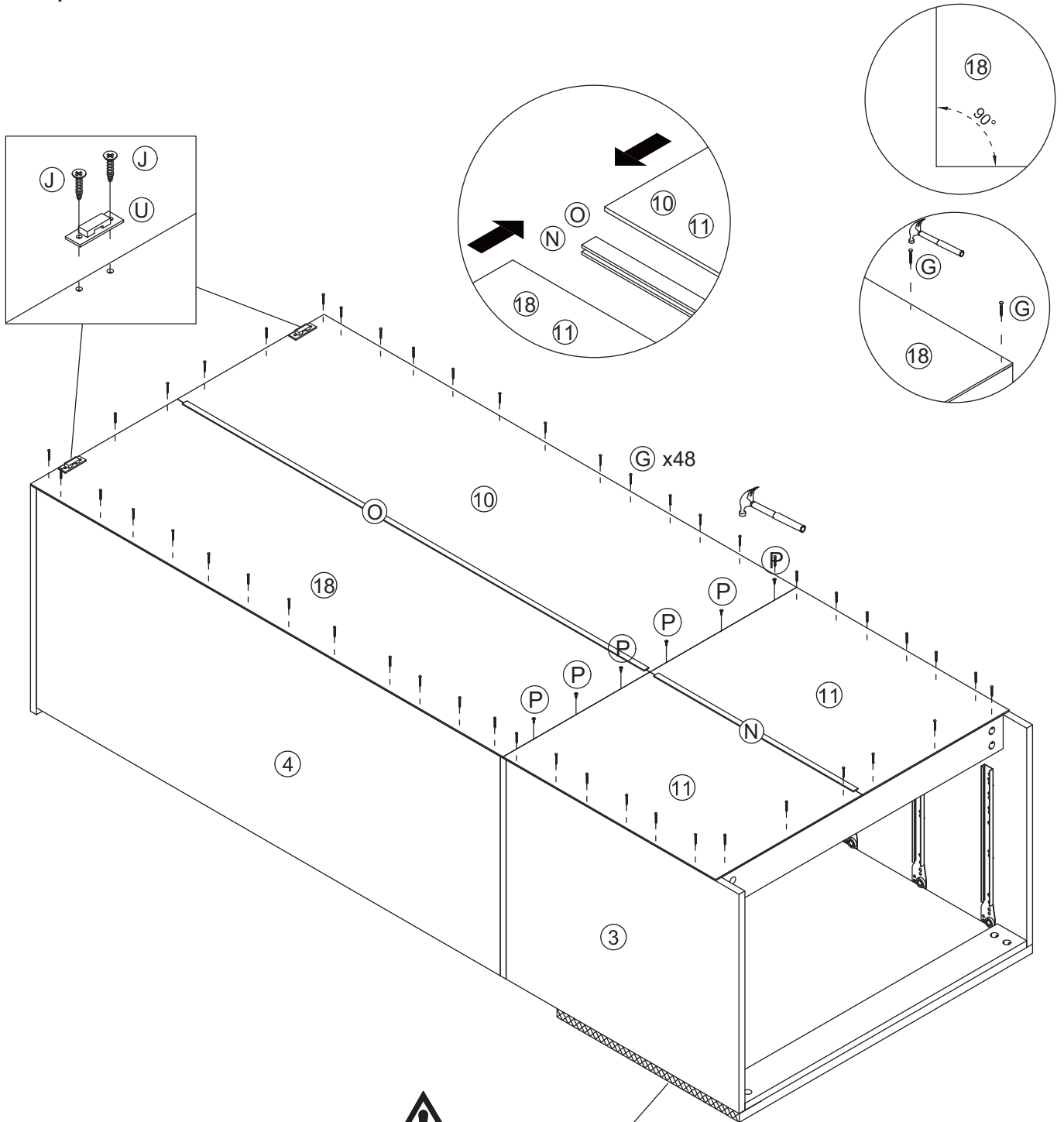
Step 6




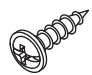



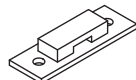
Step 7



Step 8

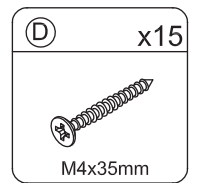
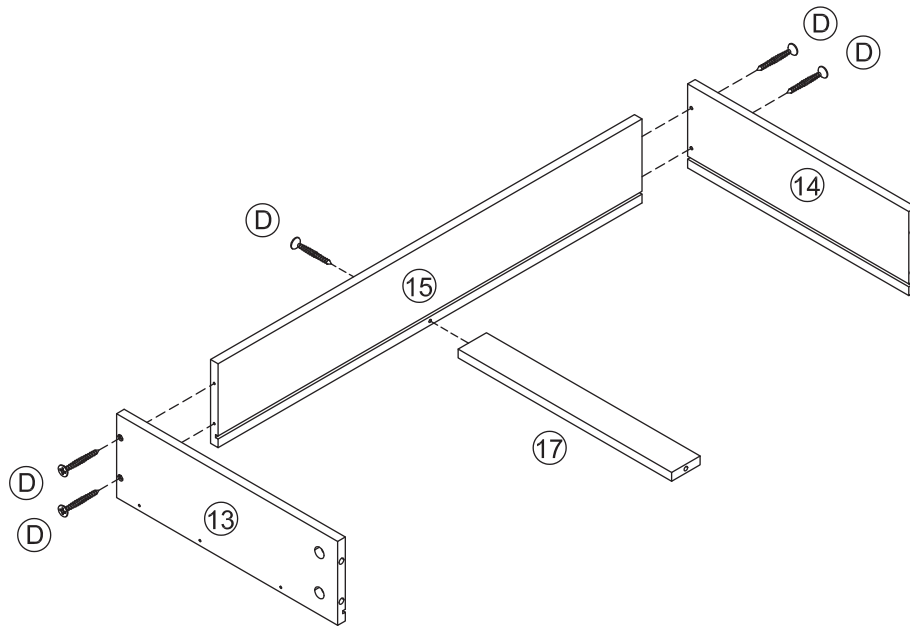


Put a foam under

<p>G x48</p>  <p>Nail</p>	<p>P x6</p>  <p>Backboard screws M2.5x14mm</p>	<p>N x1</p>  <p>Lower Connection Stripe</p>	<p>O x1</p>  <p>Upper Connection Stripe</p>	<p>J x4</p>  <p>M3.5x14mm</p>	<p>U x2</p>  <p>Bracket</p>
---	--	---	--	---	---

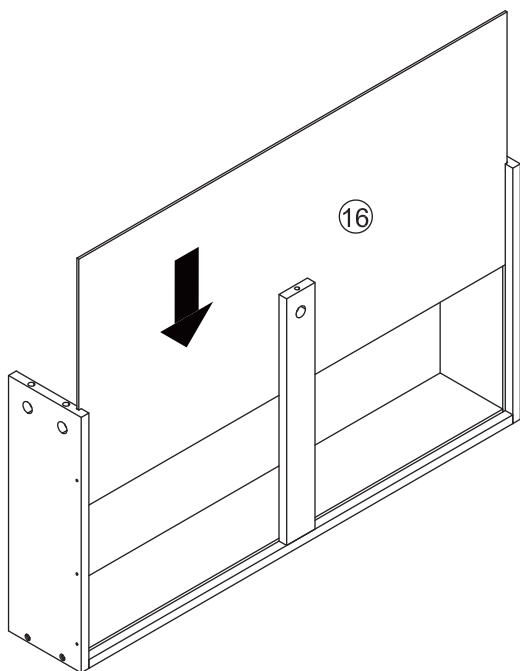
Step 9

x3



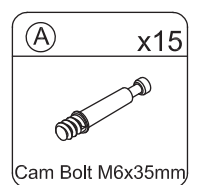
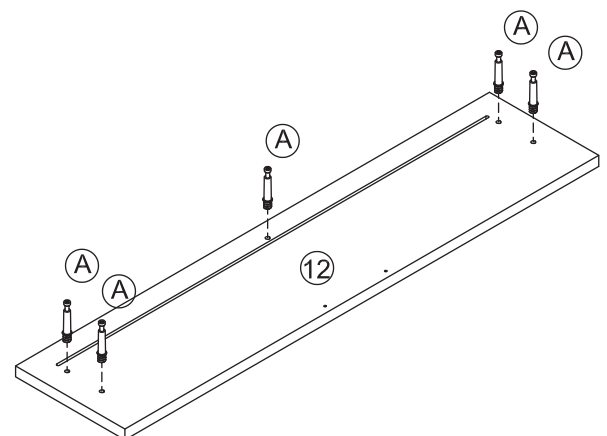
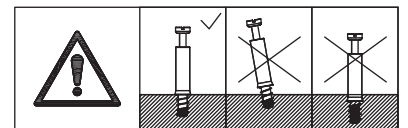
Step 10

x3



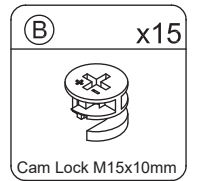
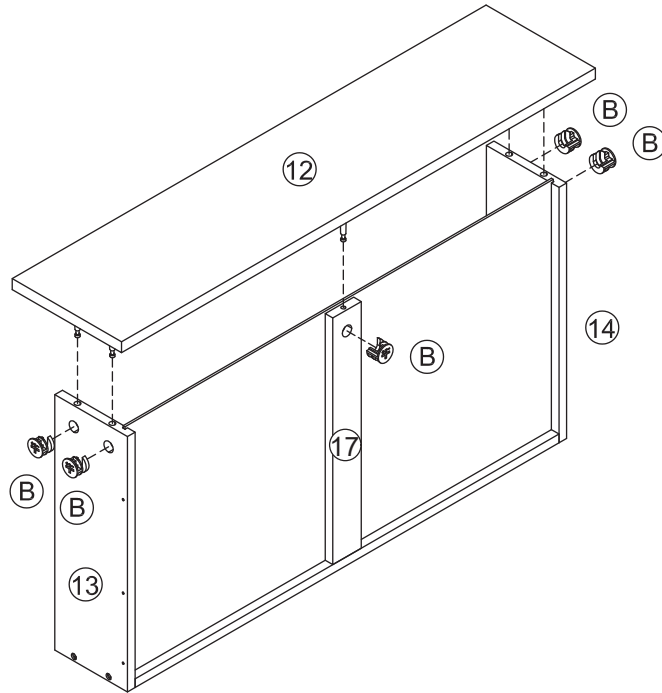
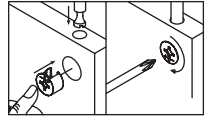
Step 11

x3



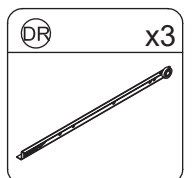
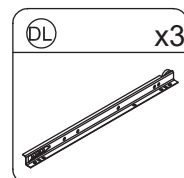
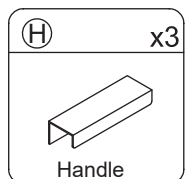
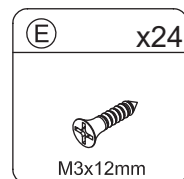
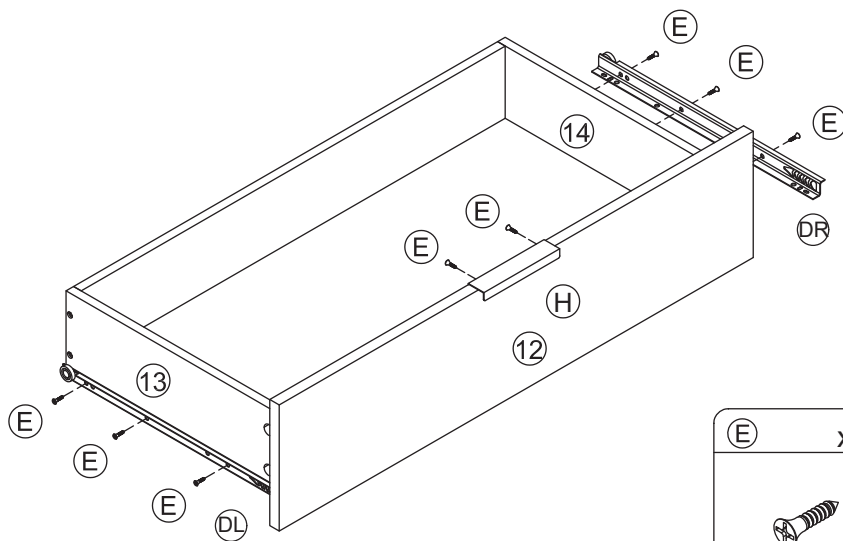
Step 12

x3

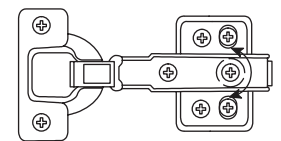
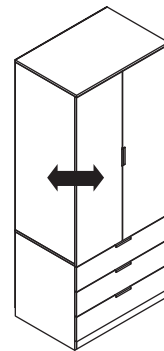
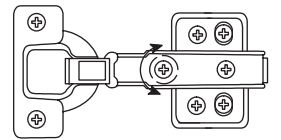
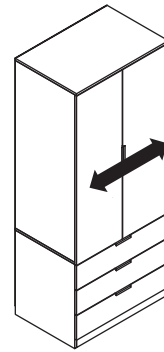
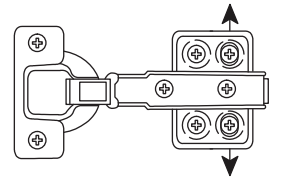
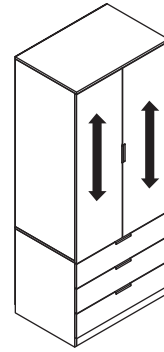
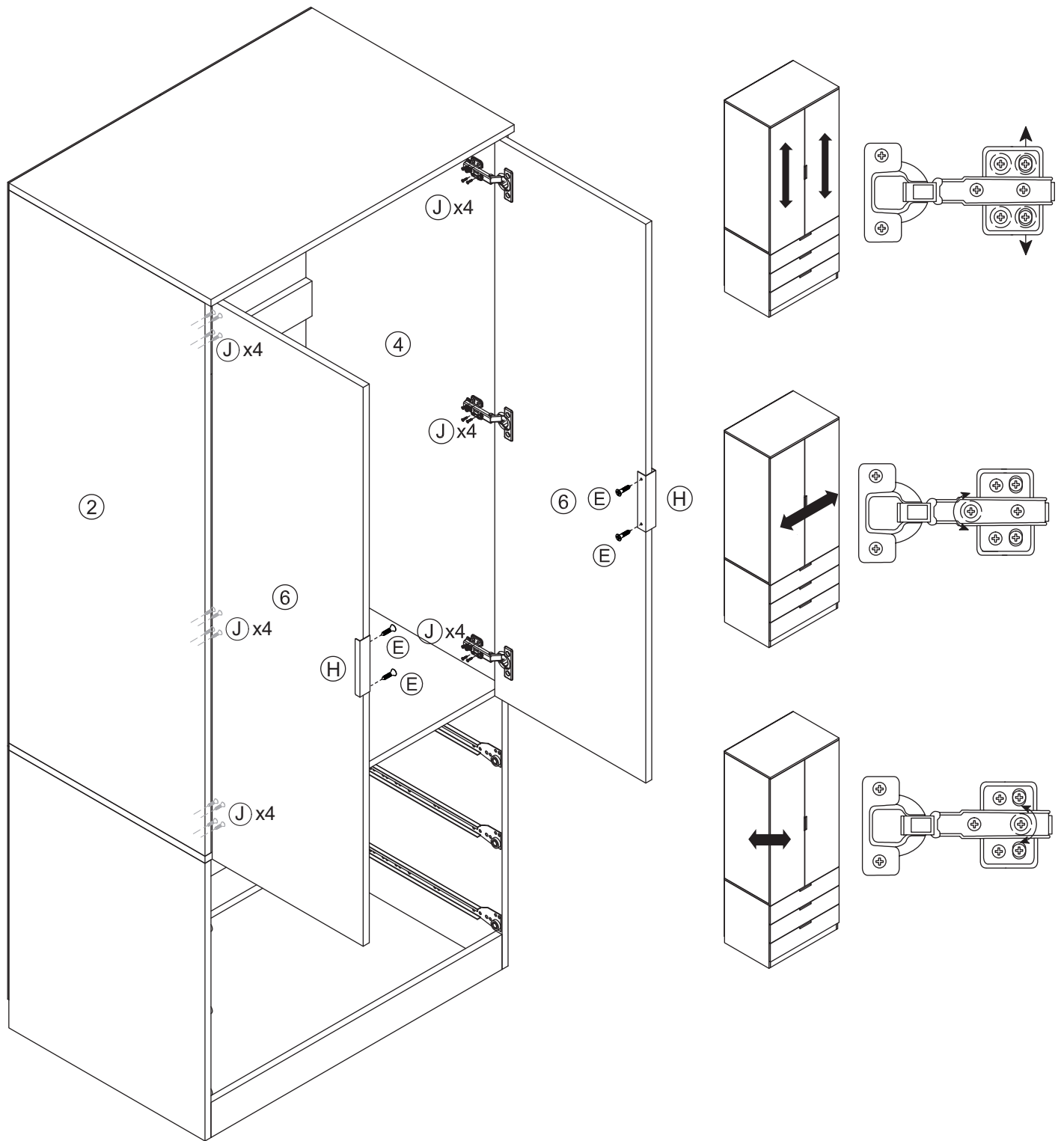





Step 13

x3

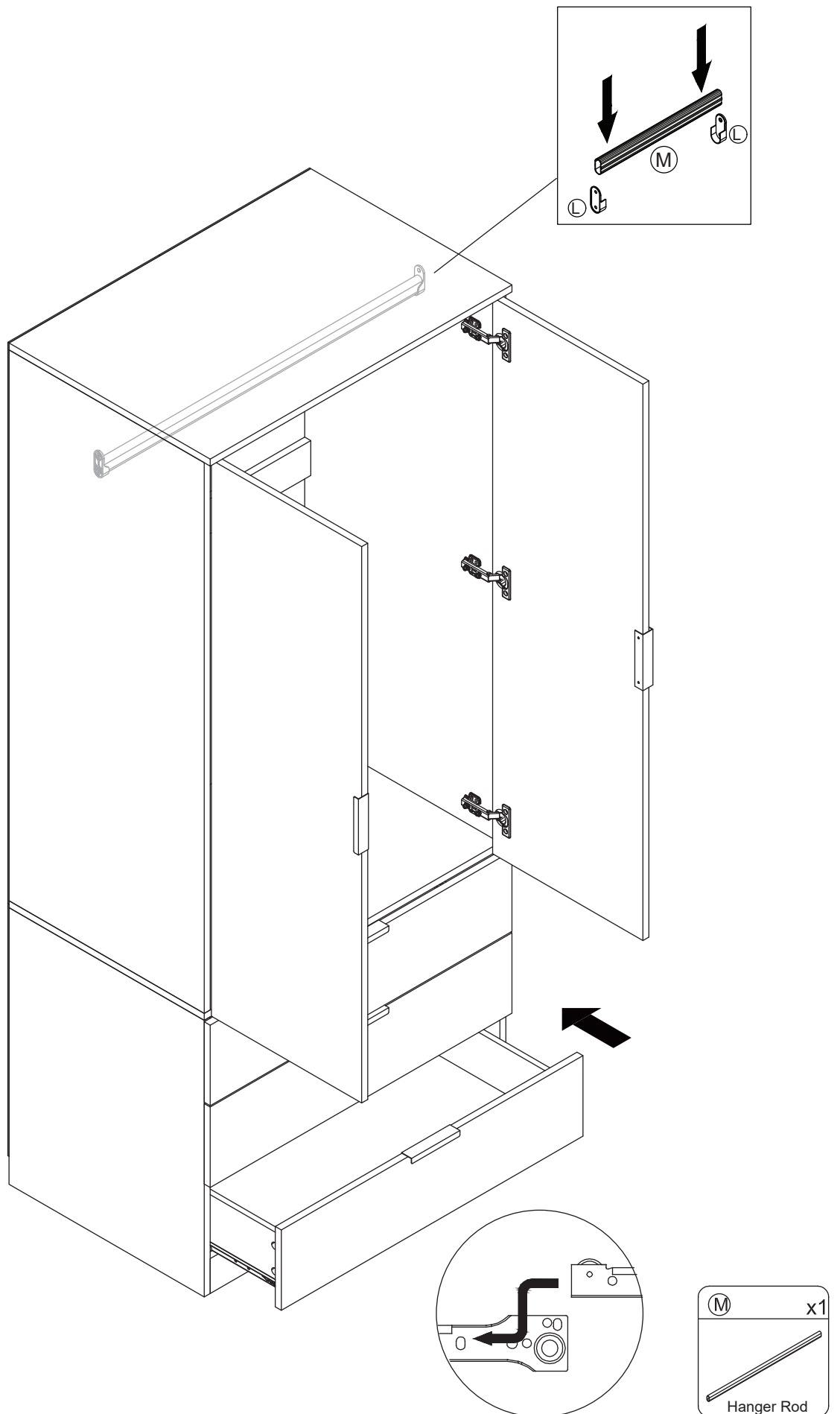


Step 14

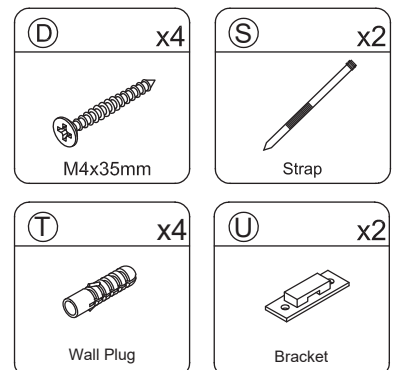
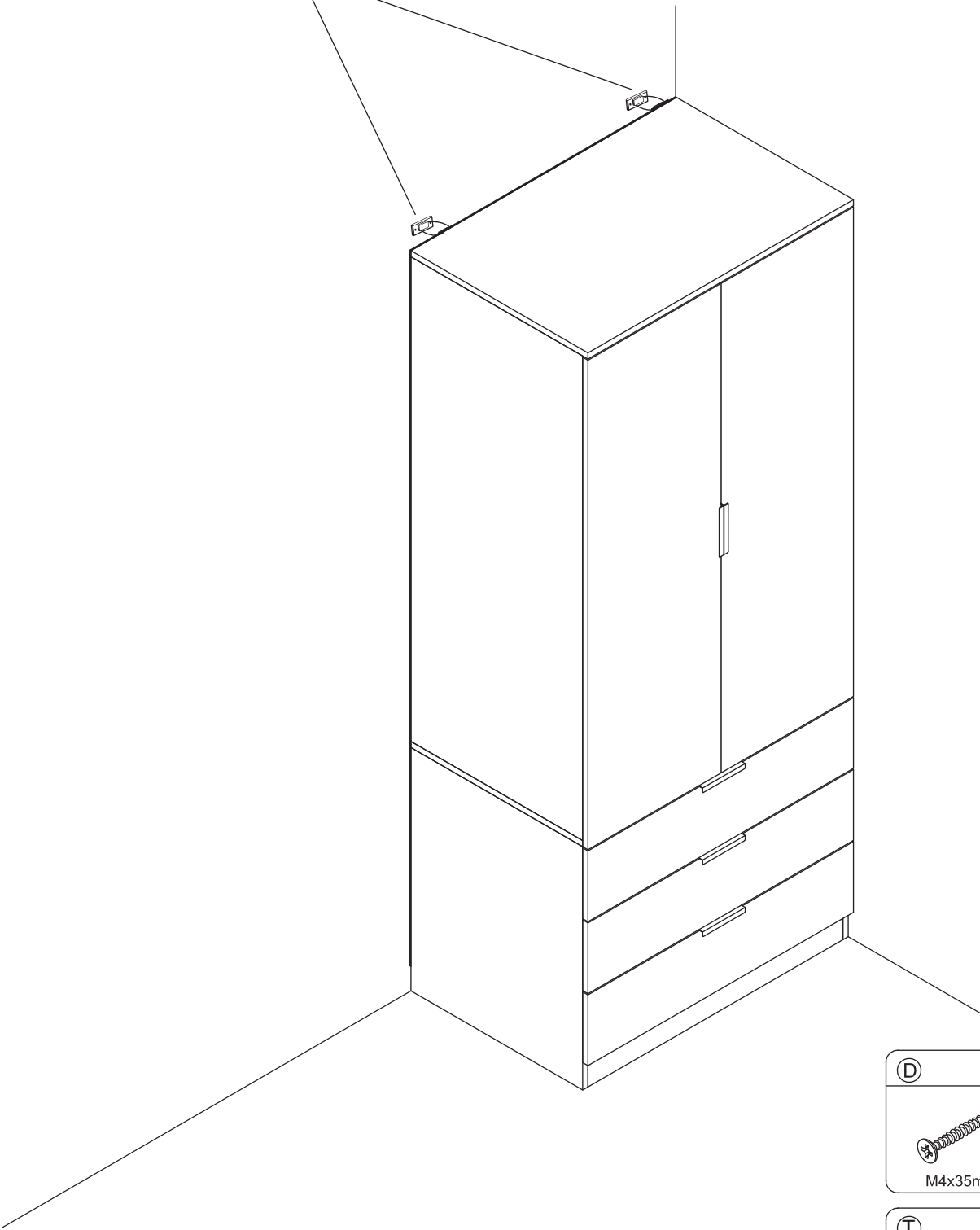
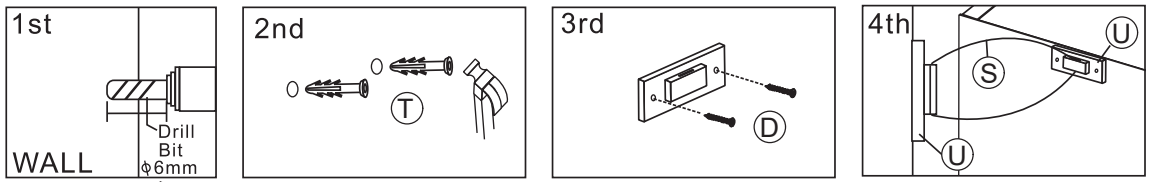


(E) x4	(J) x24	(H) x2
		
M3x12mm	M3.5x14mm	Handle

Step 15



Step 16



Assembly complete