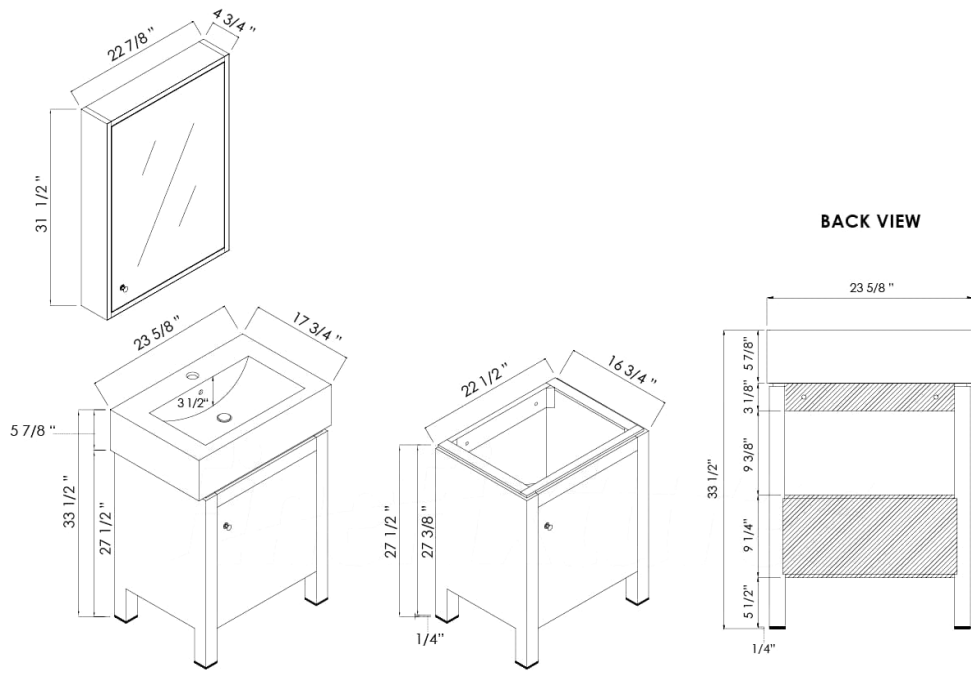


24" Specifications



ITEM	COLOR	DIMENSIONS Width x Depth x Height
VANITY	BLACK GRAIN LIGHT MAPLE	22 1/2" X 16 3/4" X 27 1/2"
SINK	WHITE	23 5/8" X 17 3/4" X 5 7/8"
MEDICINE CABINET	BLACK GRAIN LIGHT MAPLE	22 7/8" X 4 3/4" X 31 1/2"