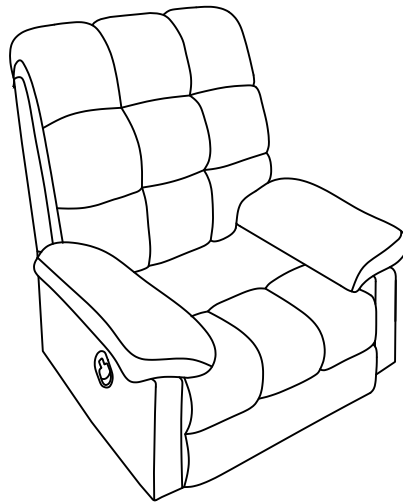


ASSEMBLY INSTRUCTION

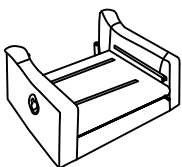
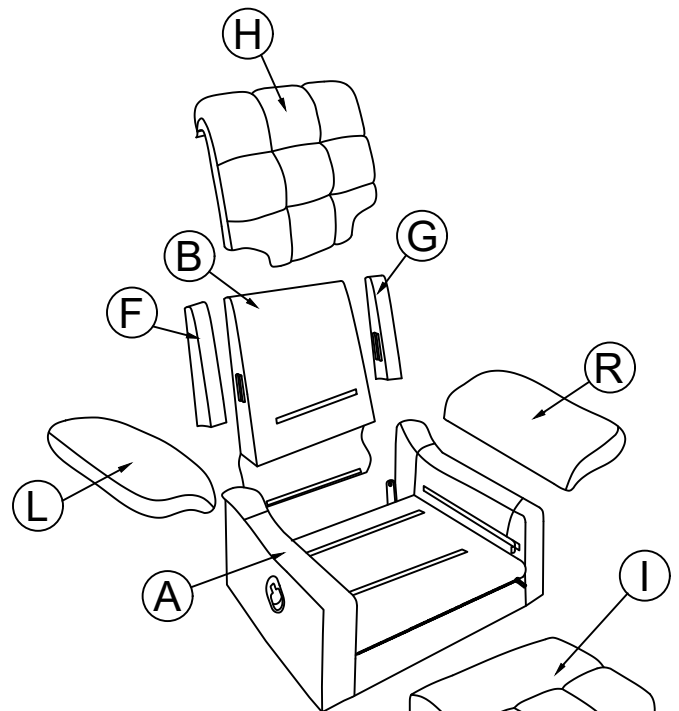
Chair



Product Diagram

Parts

- A. Pedestal
- B. Backrest
- L. Armrest bag (left)
- R. Armrest bag (right)
- F. Back frame (left)
- G. Back frame (right)
- H. Cushion (back)
- I. Cushion (seat)



A*1



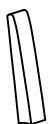
B*1



L*1



R*1



F*1



G*1

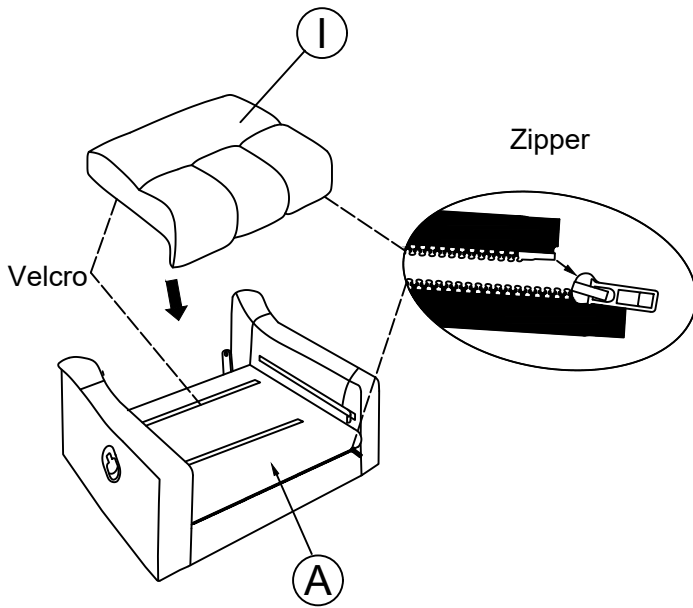


H*1

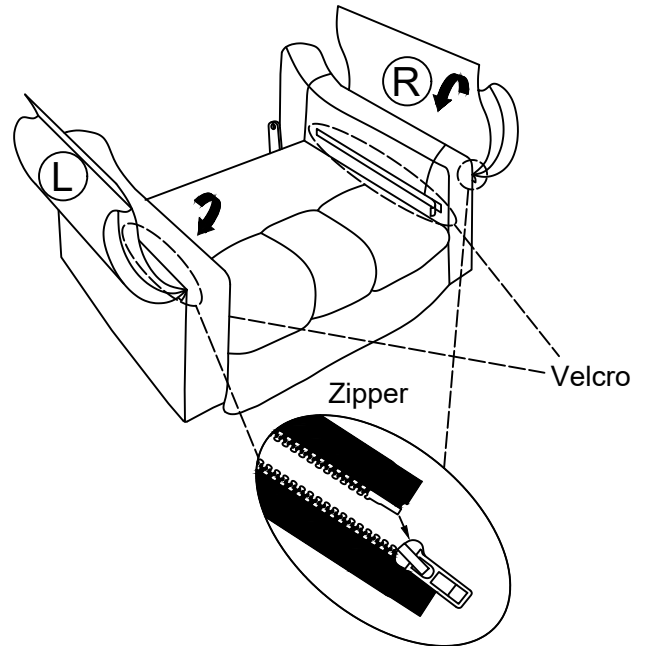


I*1

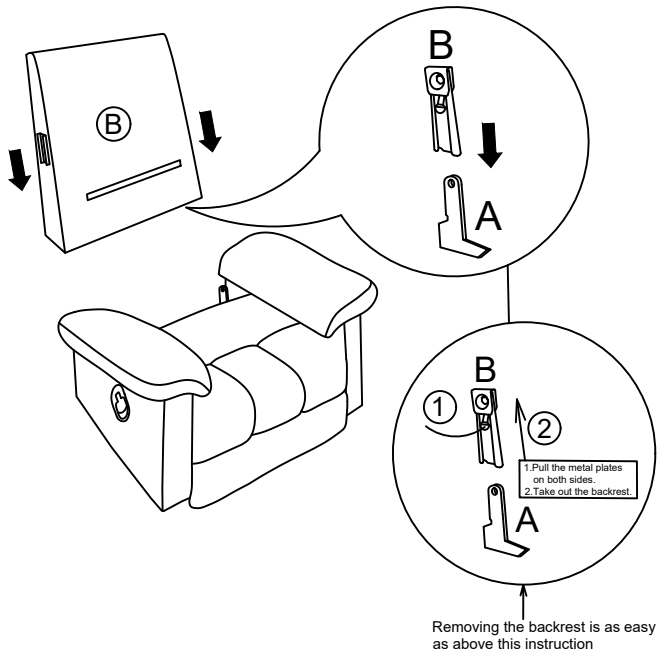
STEP 1:



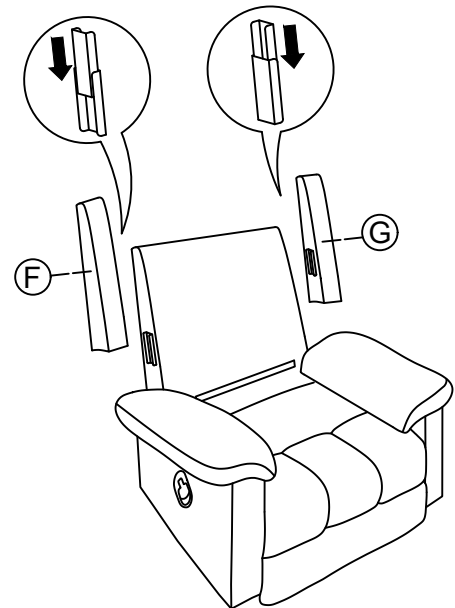
STEP 2:



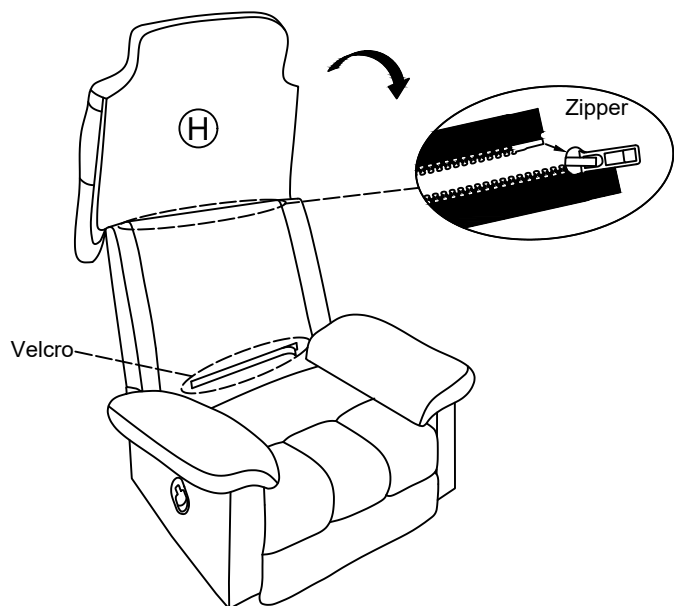
STEP 3:



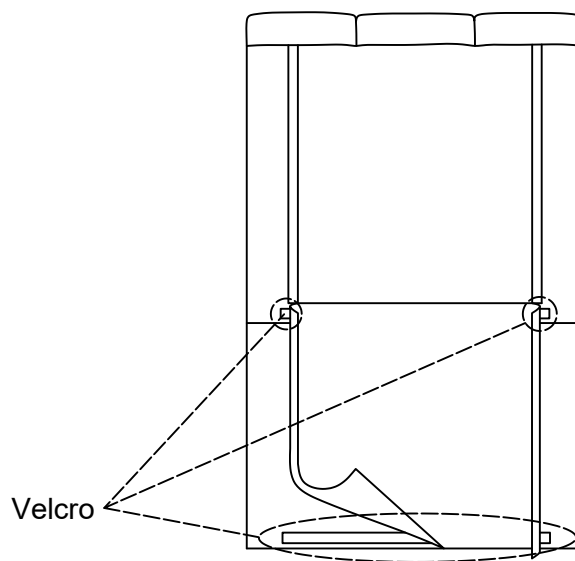
STEP 4:



STEP 5:



STEP 6:



STEP 7:

