
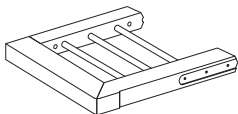
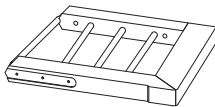


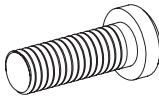

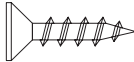
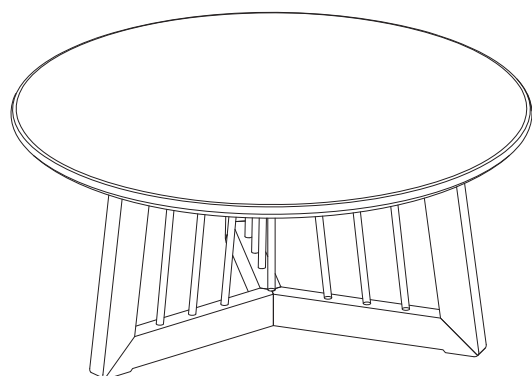


ASSEMBLY INSTRUCTION

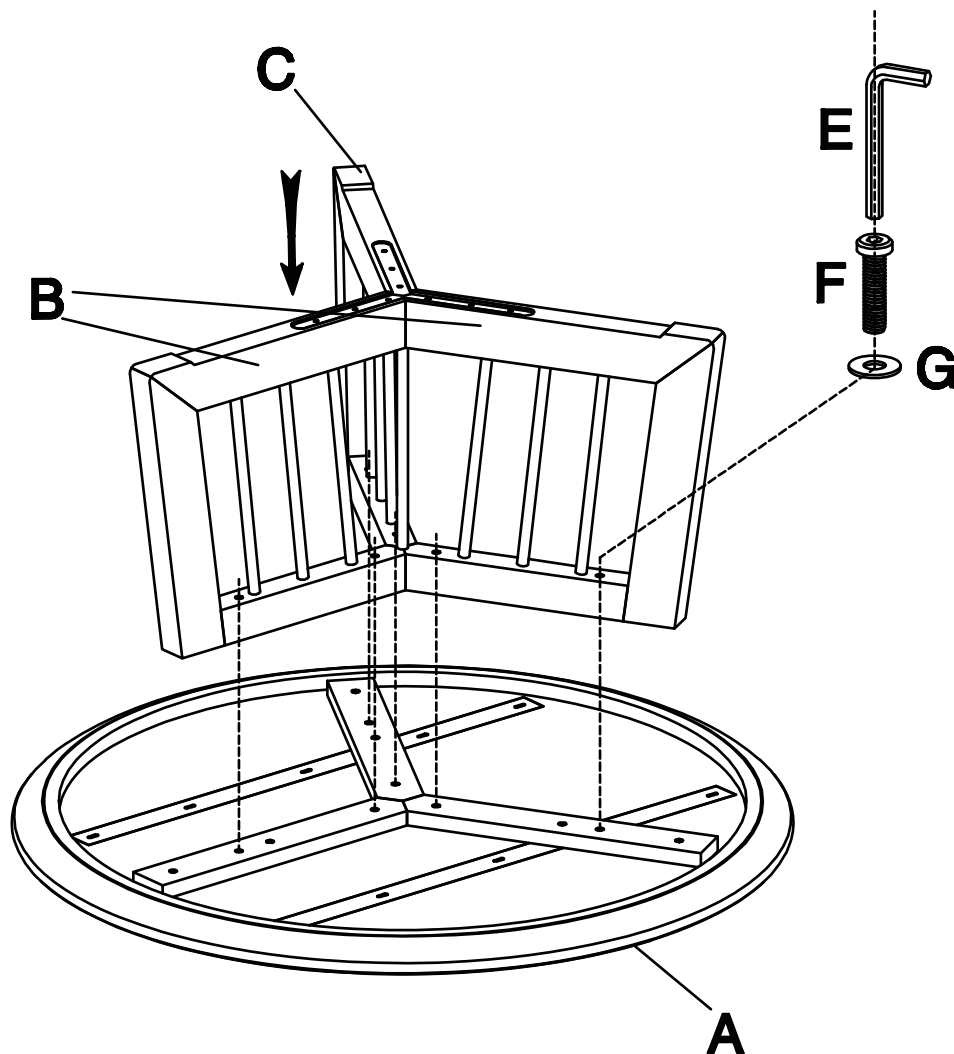
ROUND COFFEE TABLE

A Table Top	B Leg	C Leg	D Iron Bar
			
1pc	2pcs	1pc	1pc
E Allen Wrench 4mm	F Bolt 5/16"×2-3/4"	G Flat Washer 5/16"×19mm	H Screw 4mm×19mm
			
1pc	6pcs	6pcs	9pcs



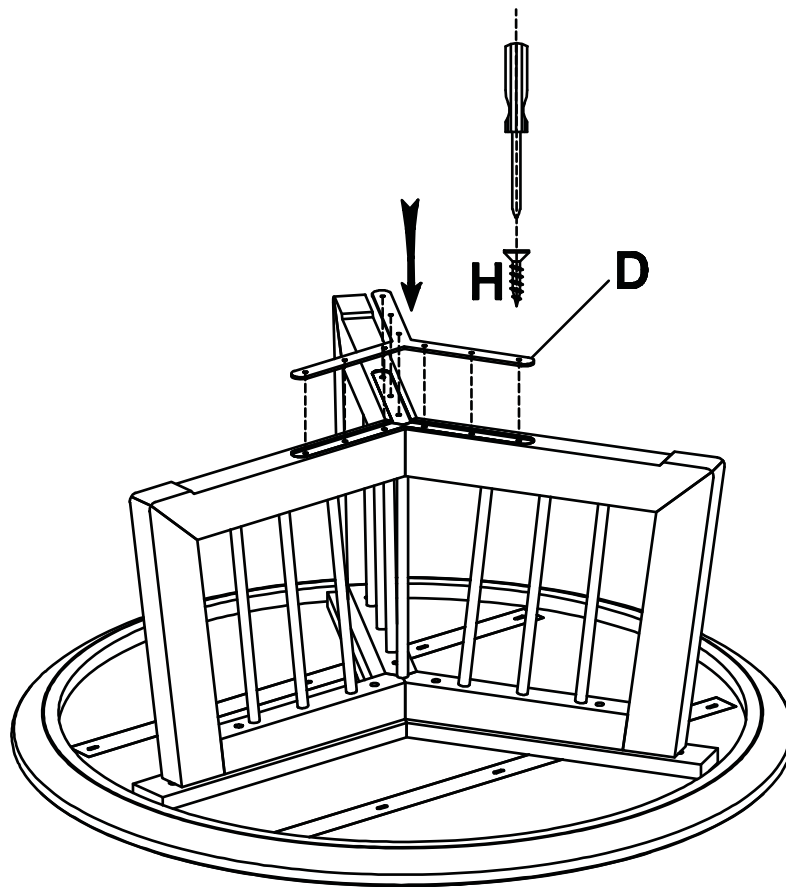
This page lists all the contents included in the box. Please take the time to identify the hardware as well as the individual components to this product. As you unpack and prepare for assembly, place the contents on a carpeted or padded area to protect them from damage.

1 Attach Top(A) to Leg(B) and Leg(C) using Bolt(F), Flat Washer(G) and Allen Wrench(E) as shown.



2

Unit assembly should begin with parts turned upside down for below steps.
Attach leg base using Screw(H) and Iron Bar(D) as shown.



Cleaning & Care

- For general cleaning, periodically dust with a soft cloth.
- Do not rub or scrub the surface when cleaning.
- Any spills should be removed with a soft clean damp cloth and dried immediately.
- Do not use abrasive cleaning products or those containing silicone.
- Ensure the product is protected with mats and coasters when items are placed on the surfaces, to prevent scratching or damage.
- Avoid keeping furniture in direct sunlight or close to any heat sources as this can cause discolouration or warping.
- Hardware may loosen over time. Periodically check that all connections are tight.