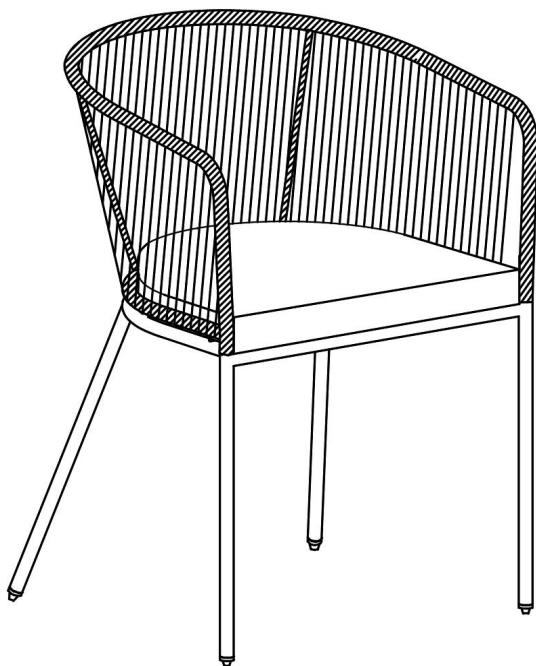


Instruction Manual

Chair



CONTENTS

Safety and care advice	1
Components	2
Assembly instructions	4
Copyright	8

⚠ SAFETY AND CARE ADVICE ⚠

PLEASE READ THESE INSTRUCTIONS CAREFULLY AND KEEP FOR FUTURE REFERENCE

- **Warning:** Please lift with care.
- Check you have all the components and tools listed on pages 2 and 3.
- Remove all fittings from the plastic bags and separate them into their groups.
- Keep children and animals away from the work area, small parts could choke if swallowed.
- Make sure you have enough space to lay out the parts before starting.
- Do not stand or put weight on the product, this could cause damage.
- Assemble the item as close to its final position (in the same room) as possible.
- Assemble on a soft level surface to avoid damaging the unit or your floor (use opened out unit carton).



- We do not recommend the use of power drill/drivers **for inserting screws**, as this could damage the unit. Only use hand screwdrivers.
- Dispose of all packaging carefully and responsibly.

CARE AND MAINTENANCE

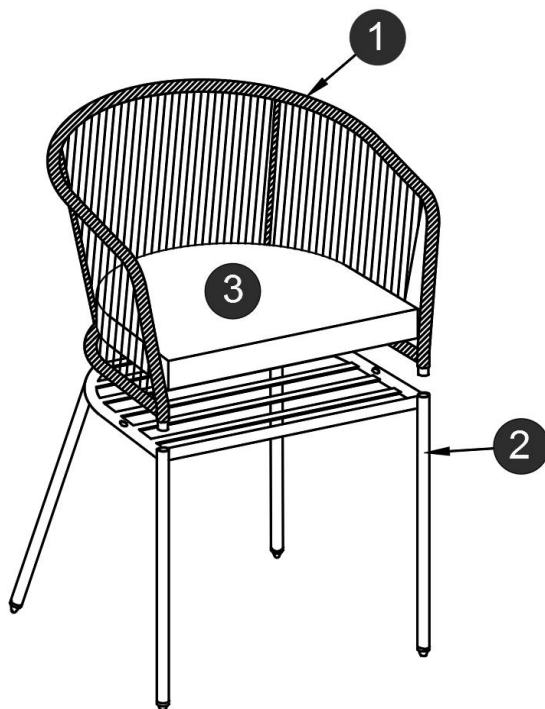
- Only clean using a damp cloth and mild detergent, do not use bleach or abrasive cleaners.
 - From time to time check that there are no loose screws on this unit.
 - This product should not be discarded with household waste. Take to your local authority waste disposal center.
- Note** *If required the next page can be cut out and used as reference throughout the assembly. Keep this page with these instructions for future reference.*

COMPONENTS

Please check you have all the panels listed below:



**1PERSON
ASSEMBLY
RECOMMENDED**



1	Seat frame	x1
2	Base frame	x1
3	Seat cushion	x1



COMPONENTS

Please check you have all the fittings listed below:

A



Bolt M6x35mm (4pcs)

B



Flat washer M8x2x16mm (4pcs)

C



Adjustable glide (4pcs)

D

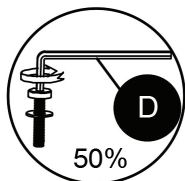


Allen key x 1

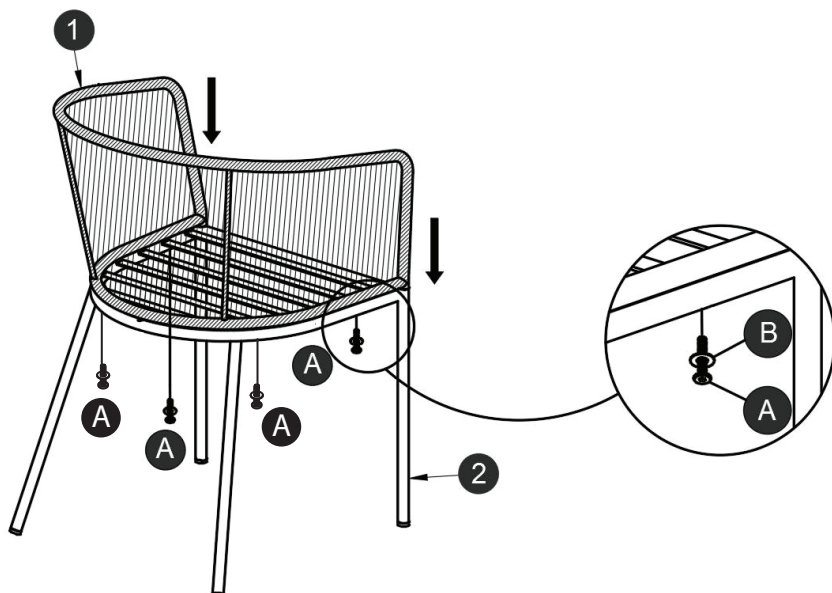


ASSEMBLY INSTRUCTIONS

Step1



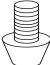
A		4	
B		4	
D		1	

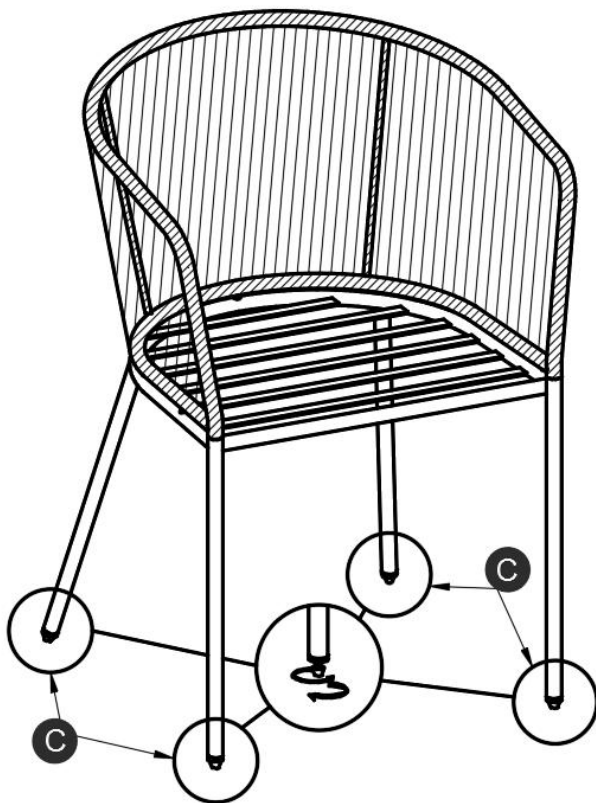
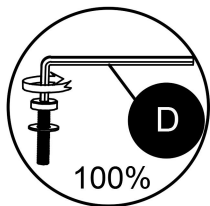


x2

ASSEMBLY INSTRUCTIONS

Step 2

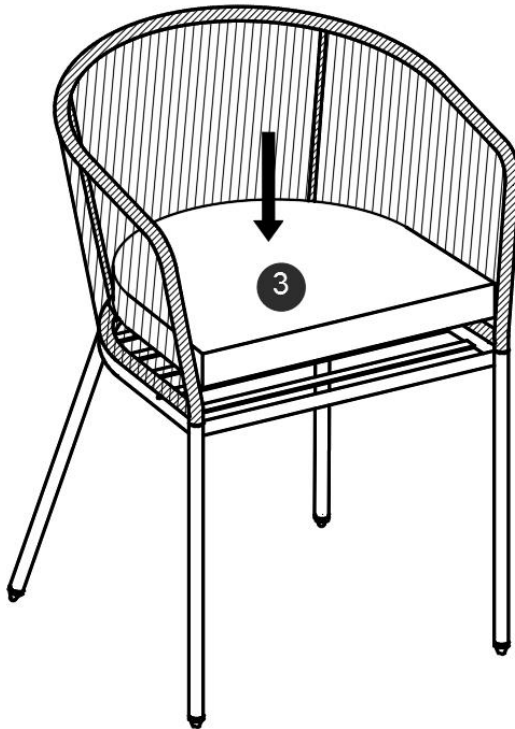
C		4	
---	---	---	--



x2

ASSEMBLY INSTRUCTIONS

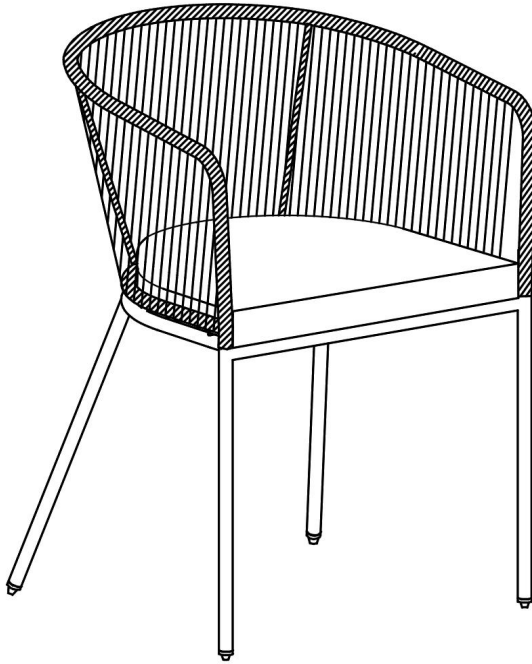
Step 3



x2

ASSEMBLY INSTRUCTIONS

Step 4



x2

Congratulations! Now you have finished assembling the product.

IF YOU FIND A DEFECTIVE PART

We fully stock all parts and components. Any defective part can be quickly replaced. Take note of the defective part number in manual and we will arrange a quick replacement.

COPYRIGHT

All material in this instruction manual is copyrighted

Any unauthorised use may violate worldwide copyright, trademark and other laws.