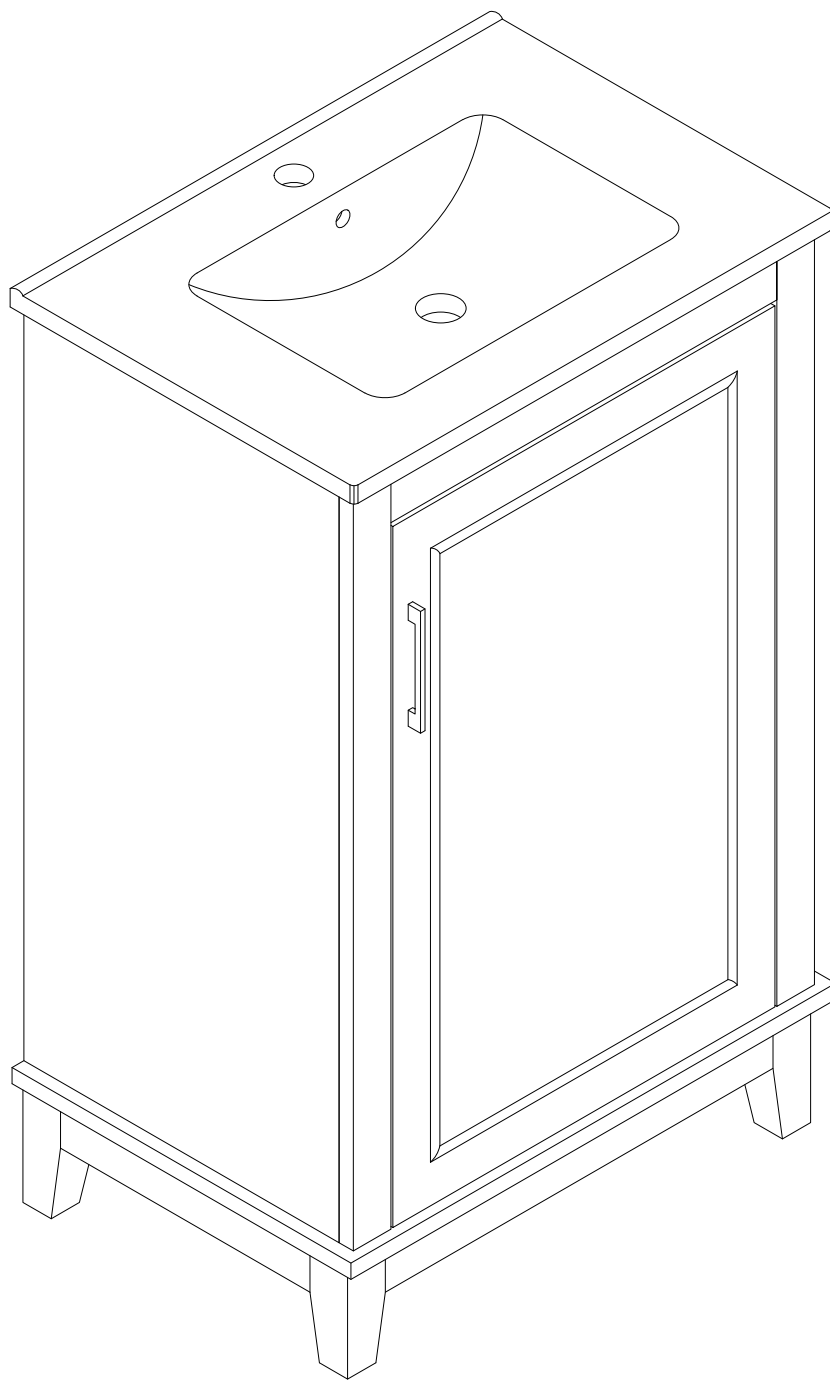
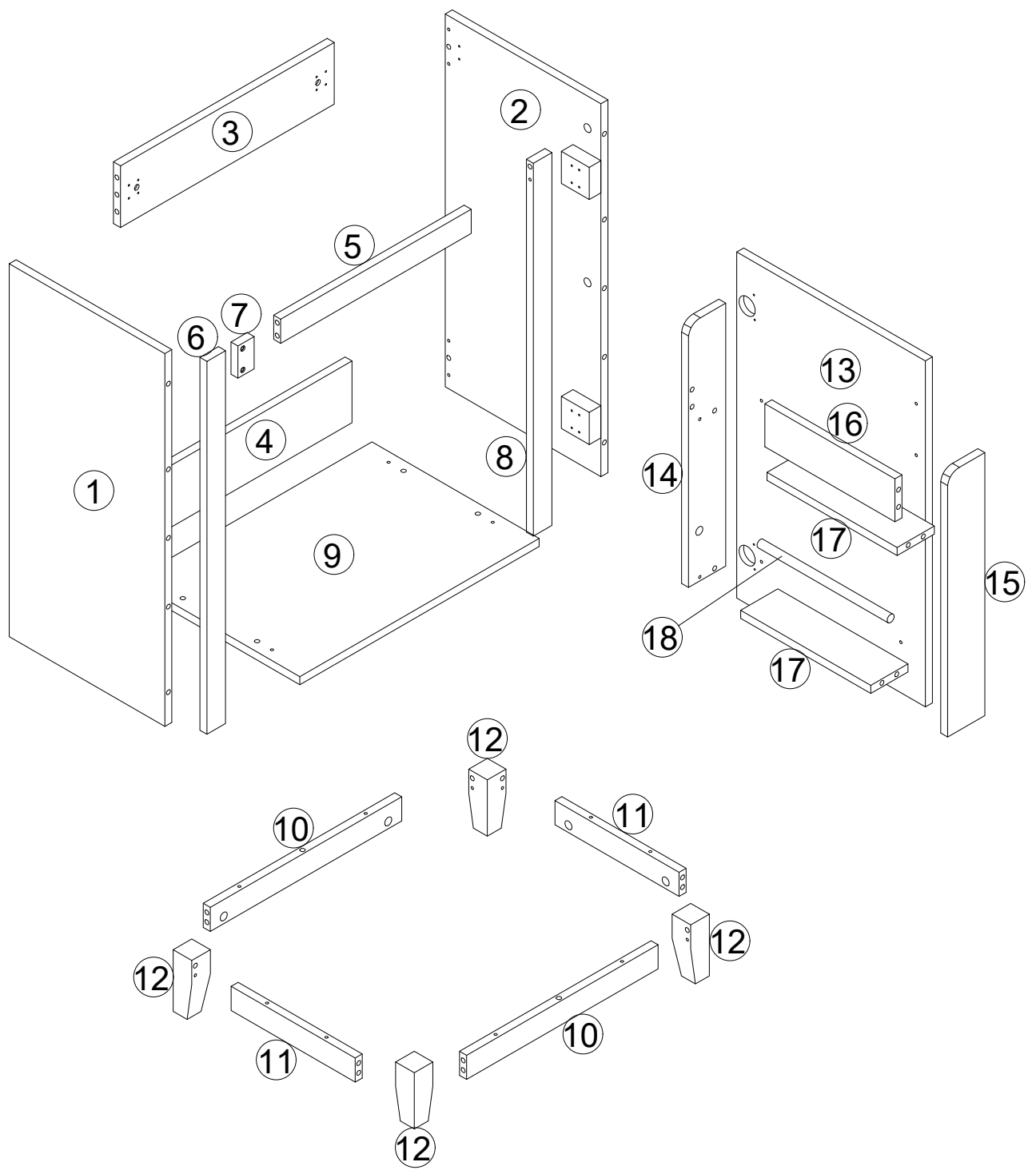
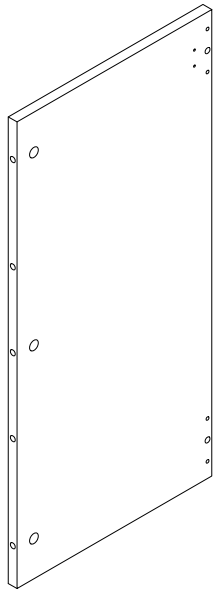


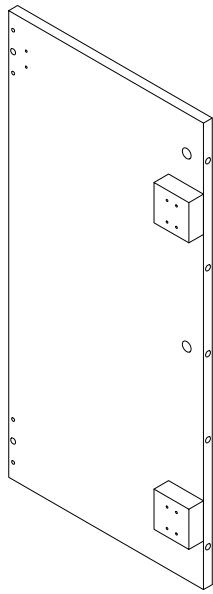
ASSEMBLY INSRTRUCTION BAUANLEITUNG



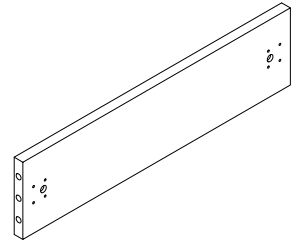




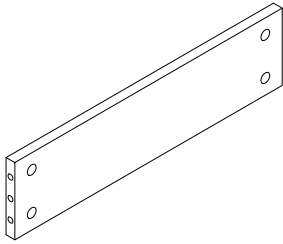
① x 1



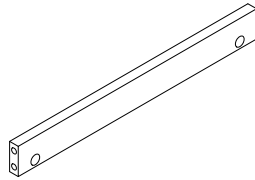
② x 1



③ x 1



④ x 1



⑤ x 1



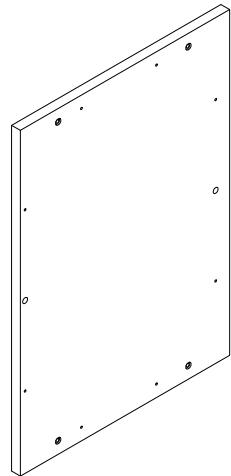
⑥ x 1



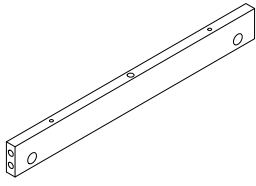
⑦ x 1



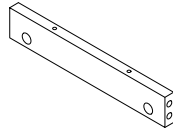
⑧ x 1



⑨ x 1



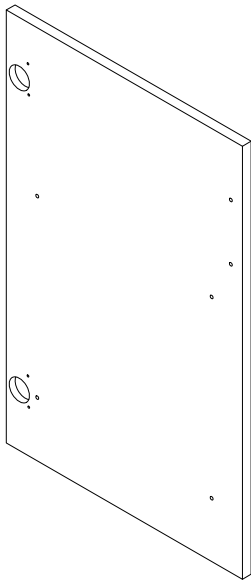
⑩ x 2



⑪ x 2



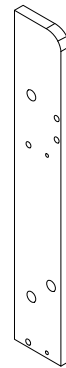
⑫ x 4



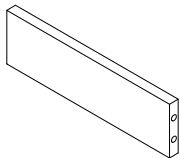
⑬ x 1



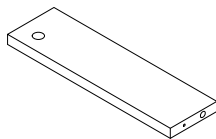
⑭ x 1



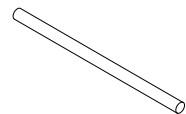
⑮ x 1



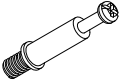



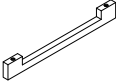

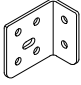



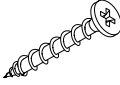
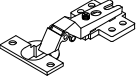


⑯ x 1



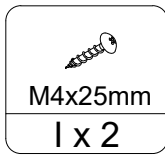
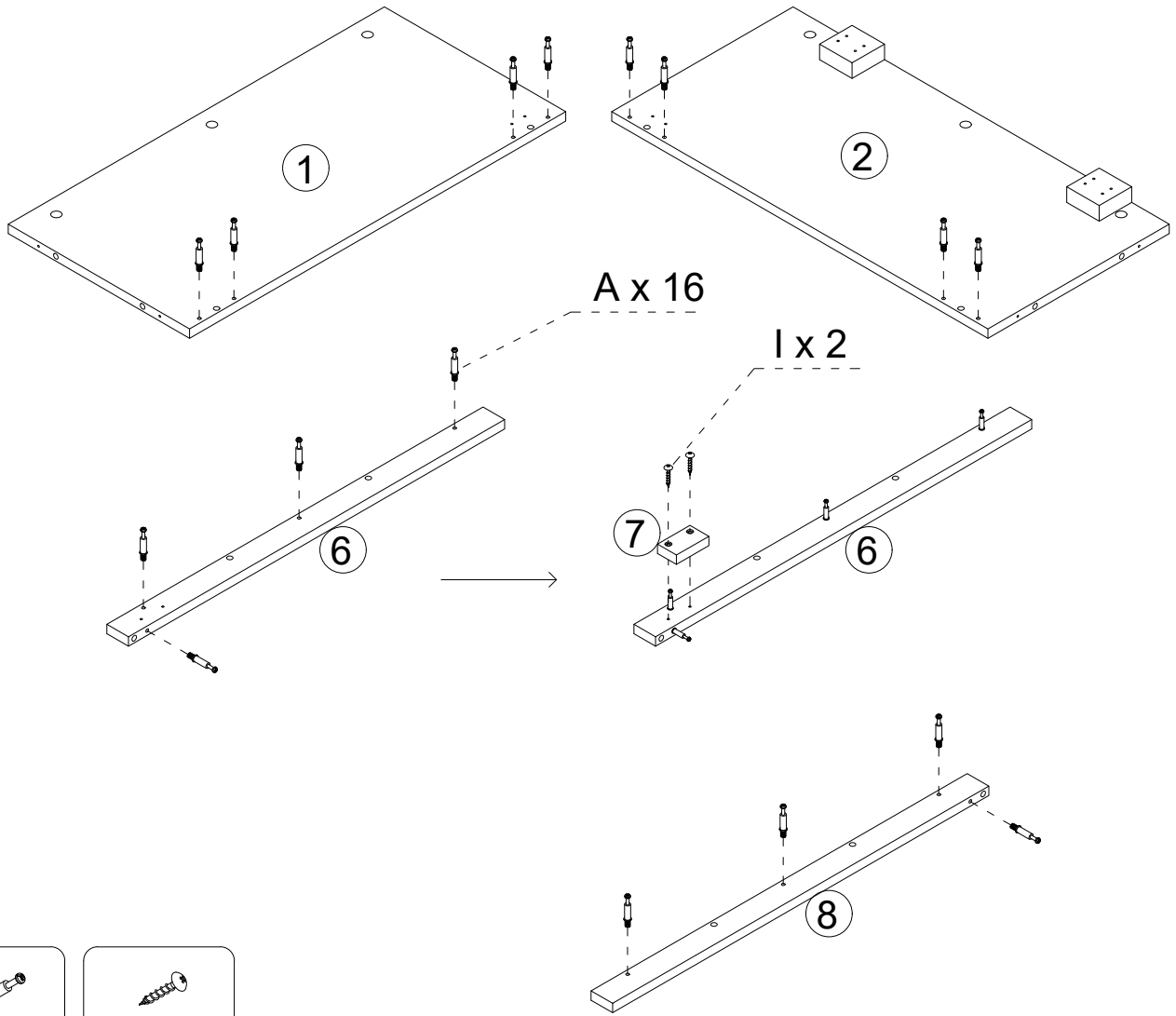
⑰ x 2



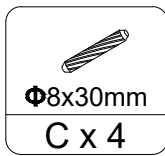
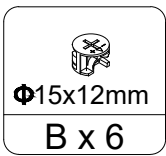
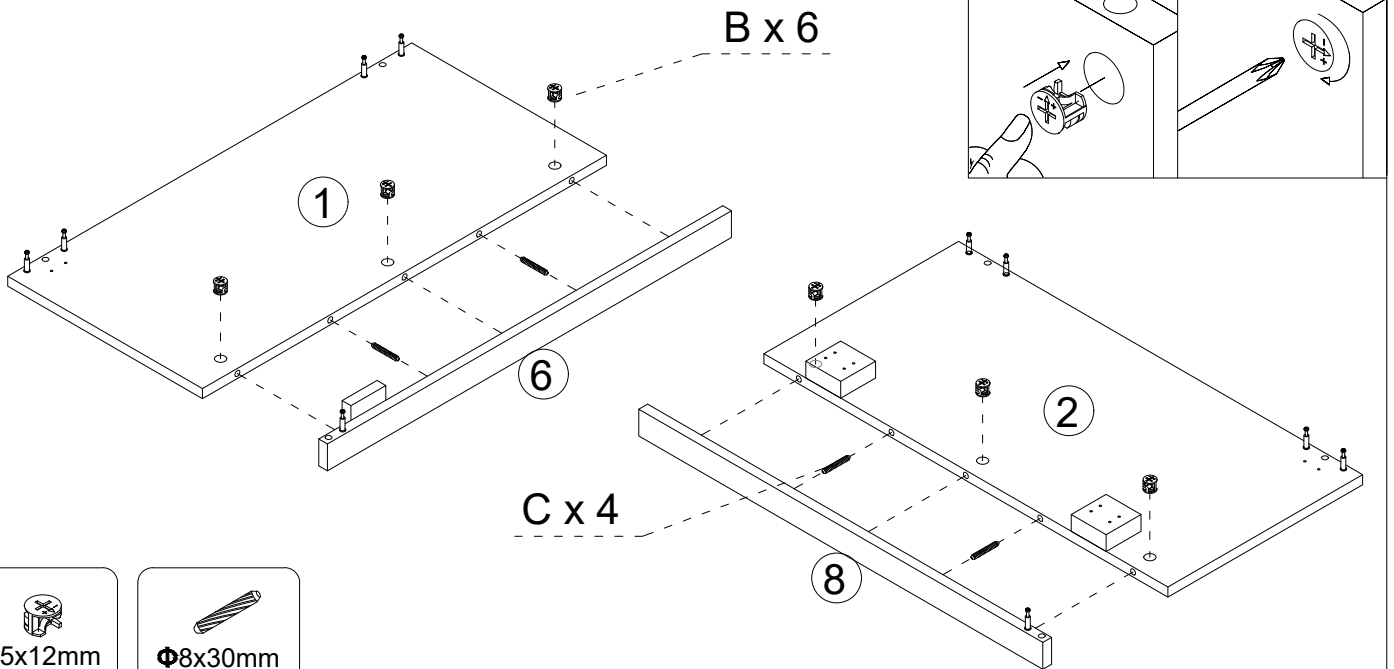
⑱ x 1

					
Φ6x35mm A x 30+2	Φ15x12mm B x 30+2	Φ8x30mm C x 32+2	M4x20mm D x 2	E x 1	M4x14mm F x 12+1
					
G x 2	M4x35mm H x 8	M4x25mm I x 2	M4x12mm J x 12+1	M4x35mm K x 6	L x 2
					
Φ8x40mm M x 2	M6x60mm N x 2				

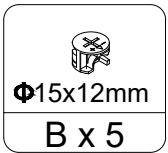
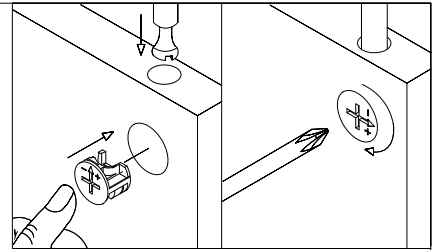
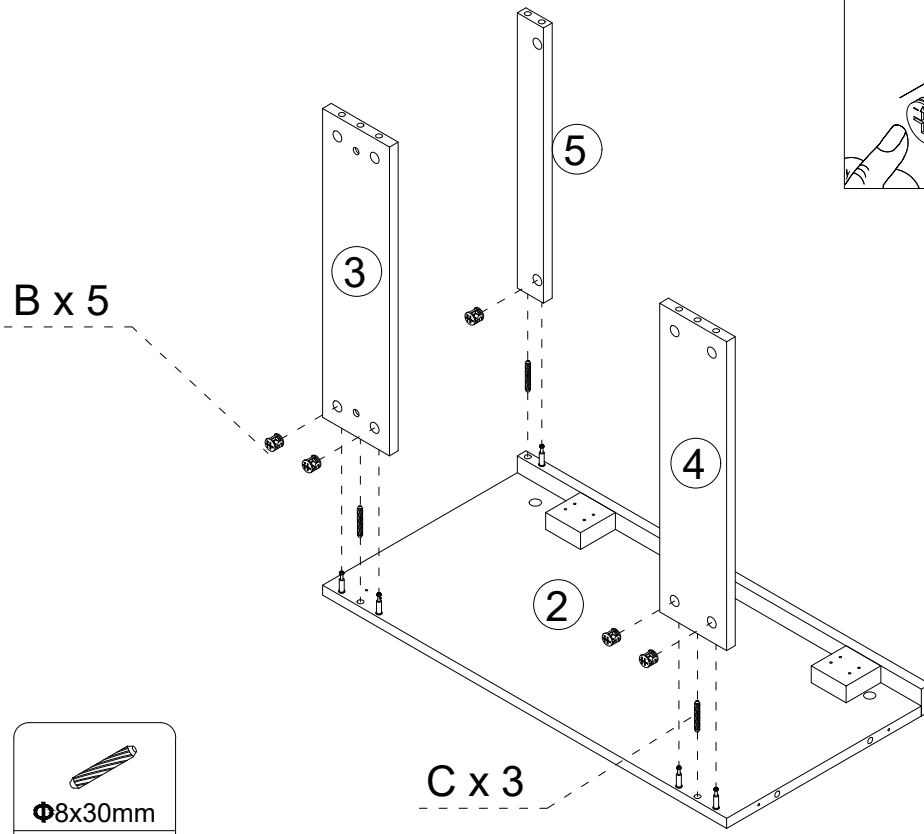
Step 1



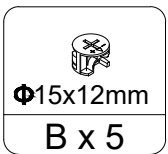
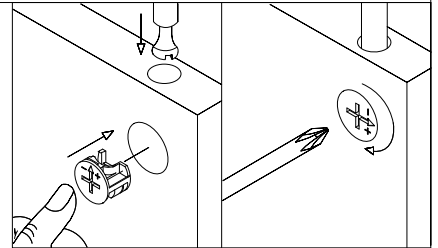
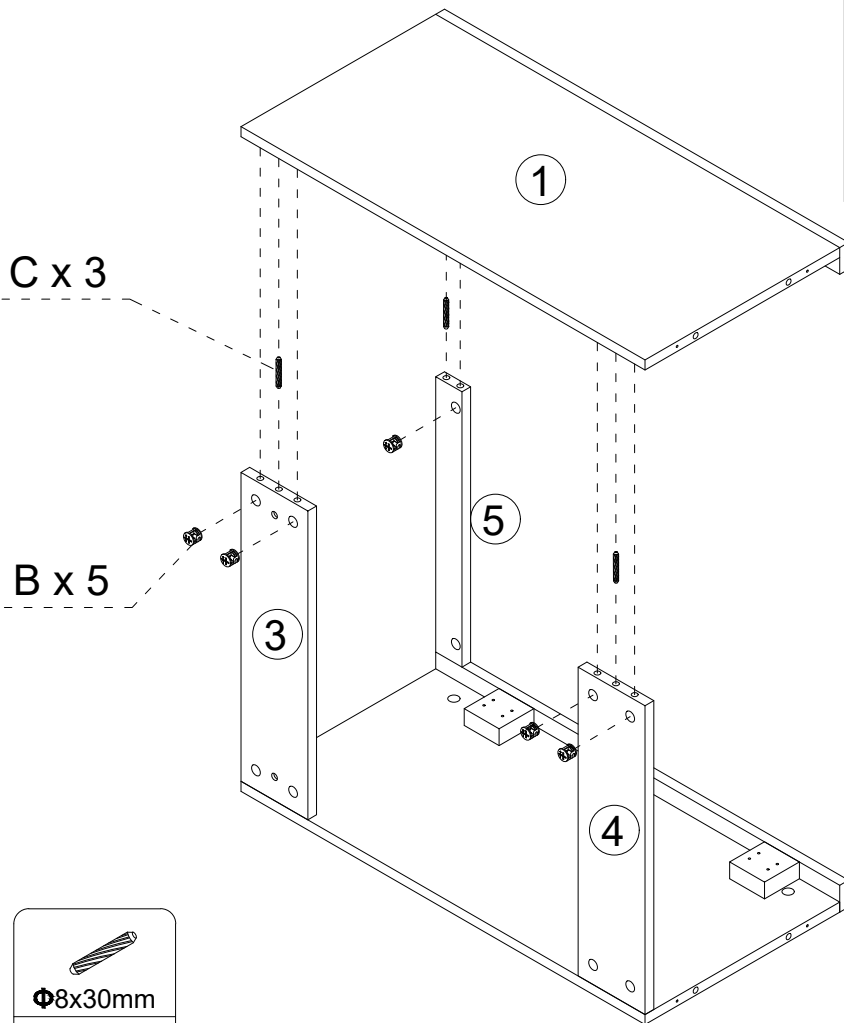
Step 2



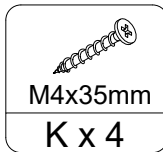
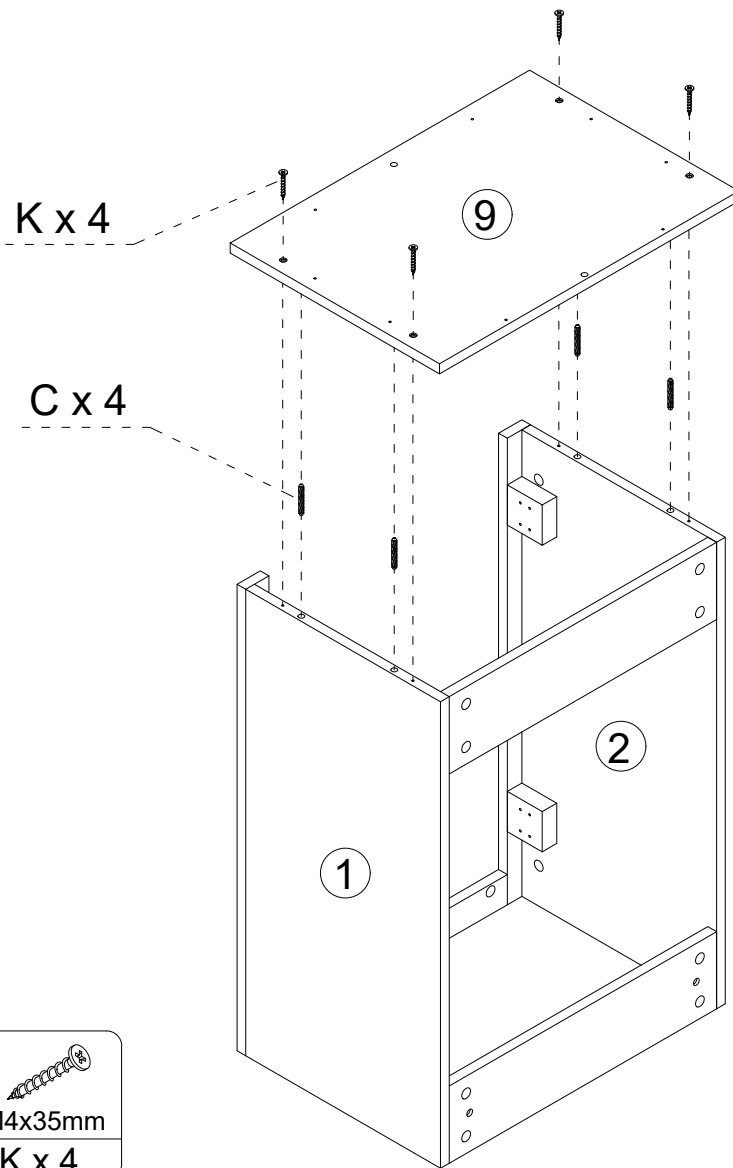
Step 3



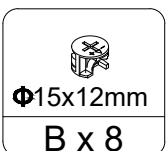
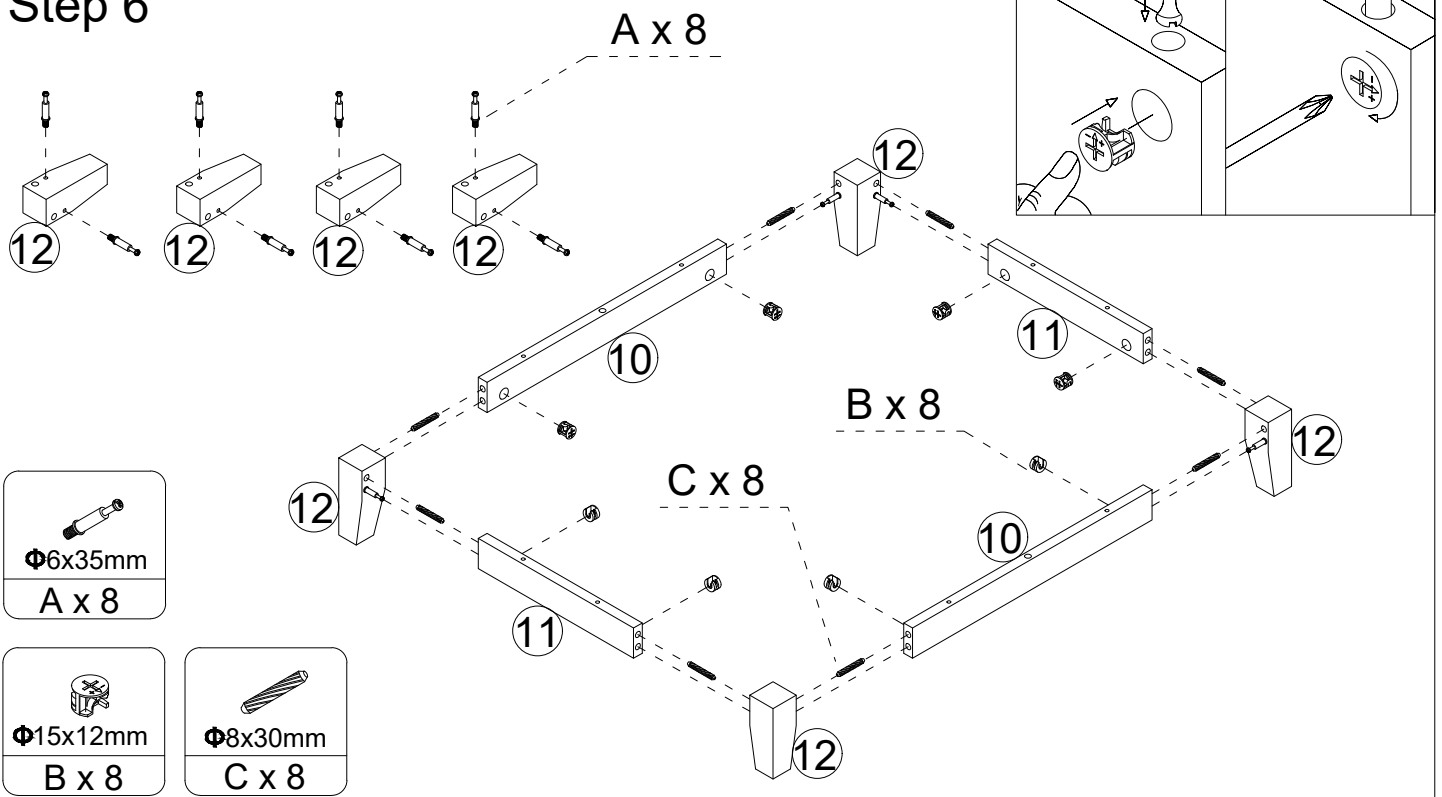
Step 4



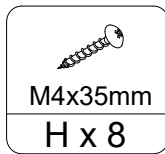
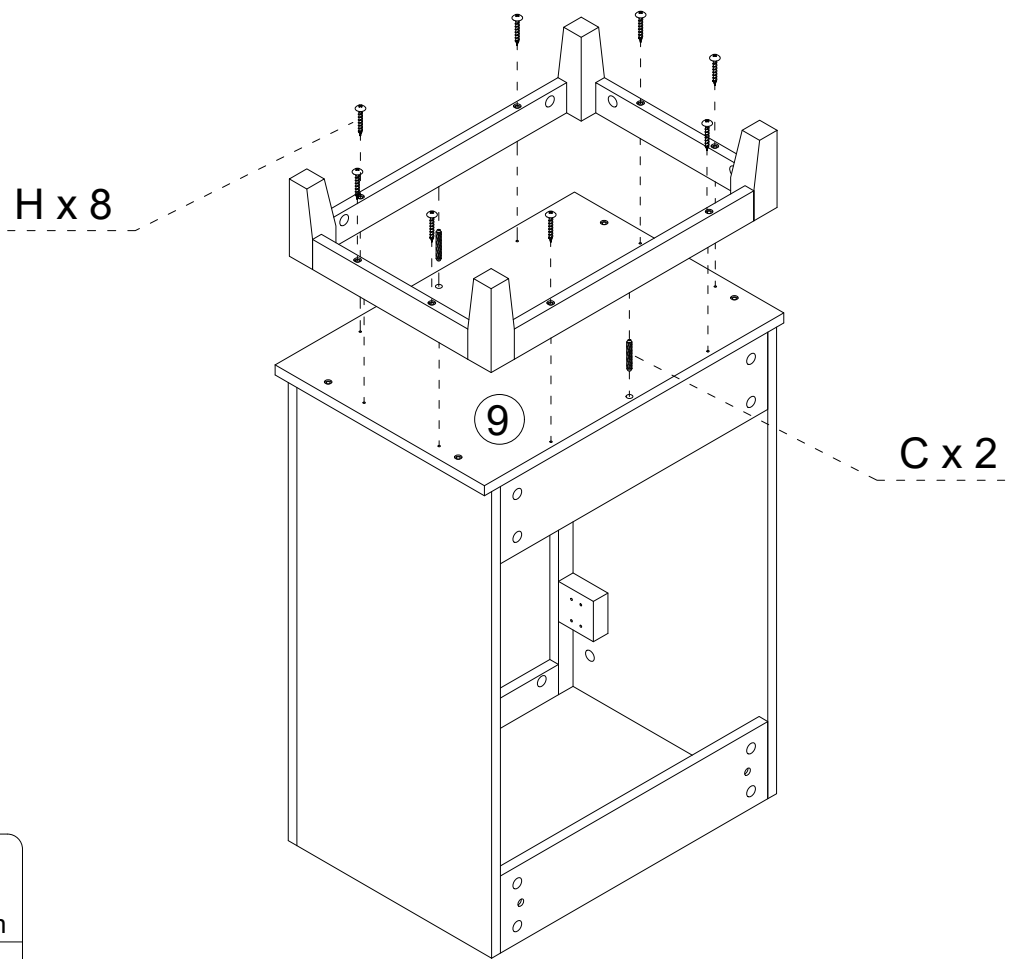
Step 5



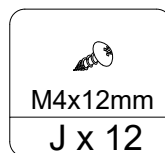
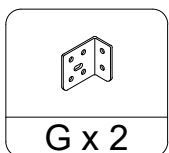
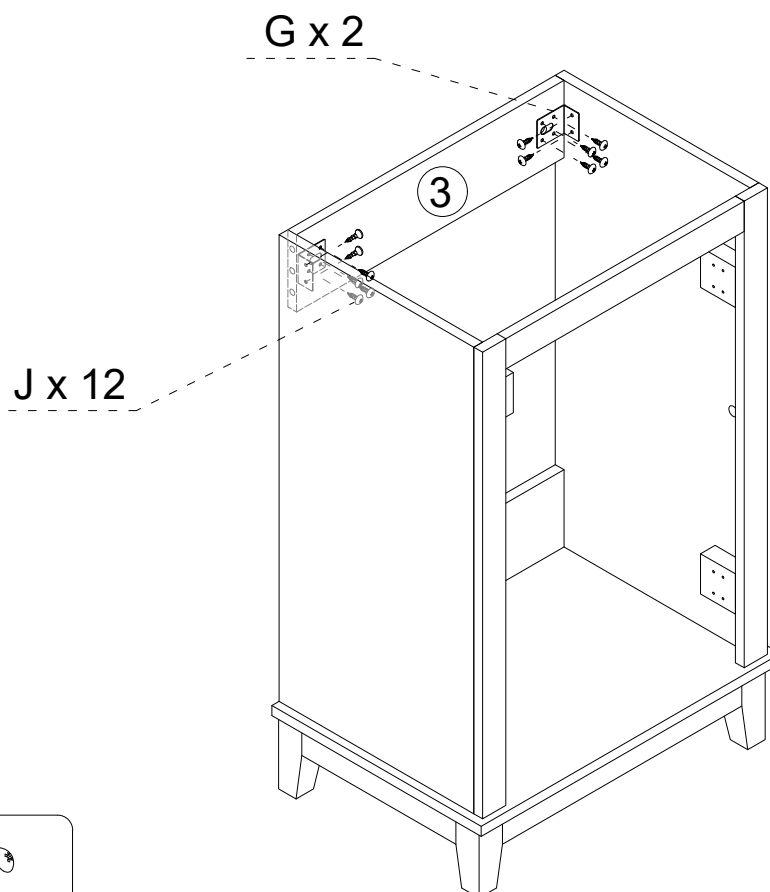
Step 6



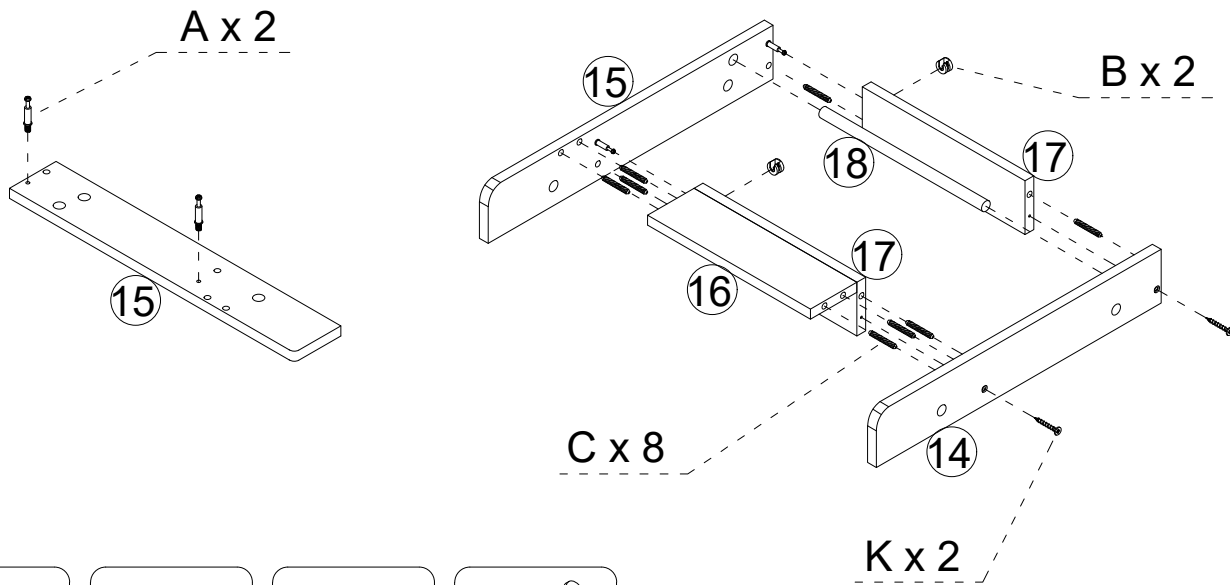
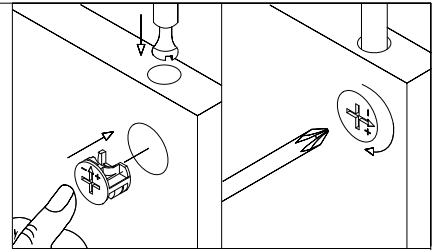
Step 7



Step 8

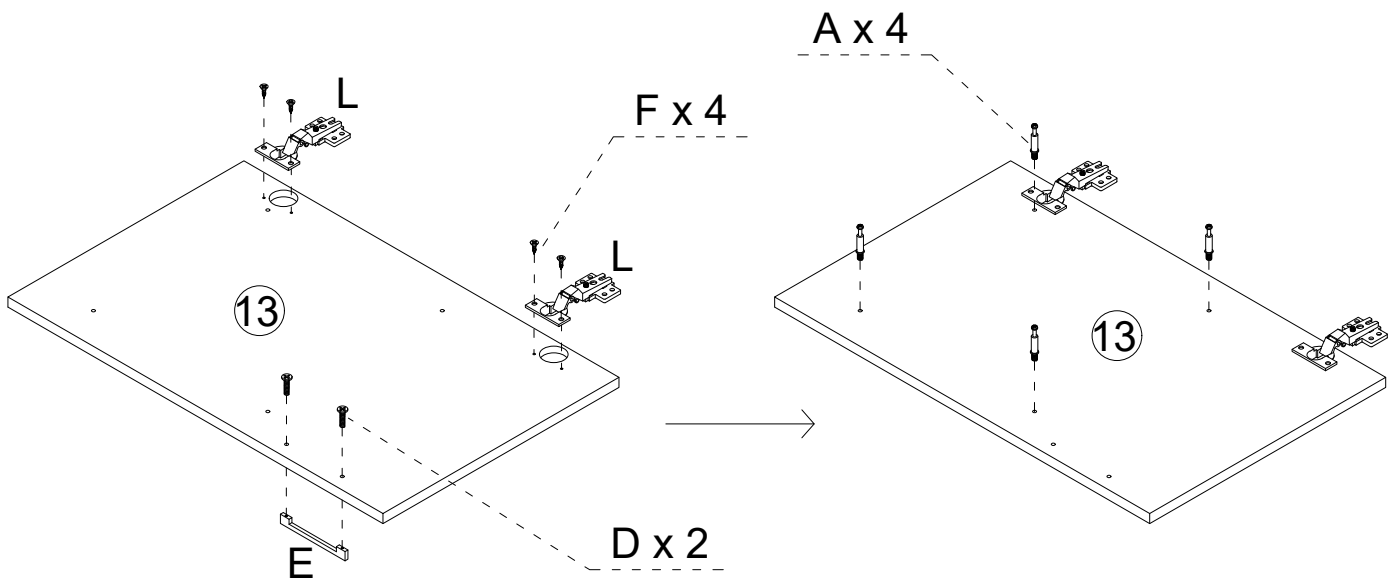


Step 9



- | | | | |
|-------|-------|-------|-------|
| | | | |
| A x 2 | B x 2 | C x 8 | K x 2 |

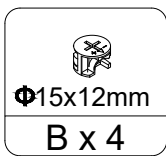
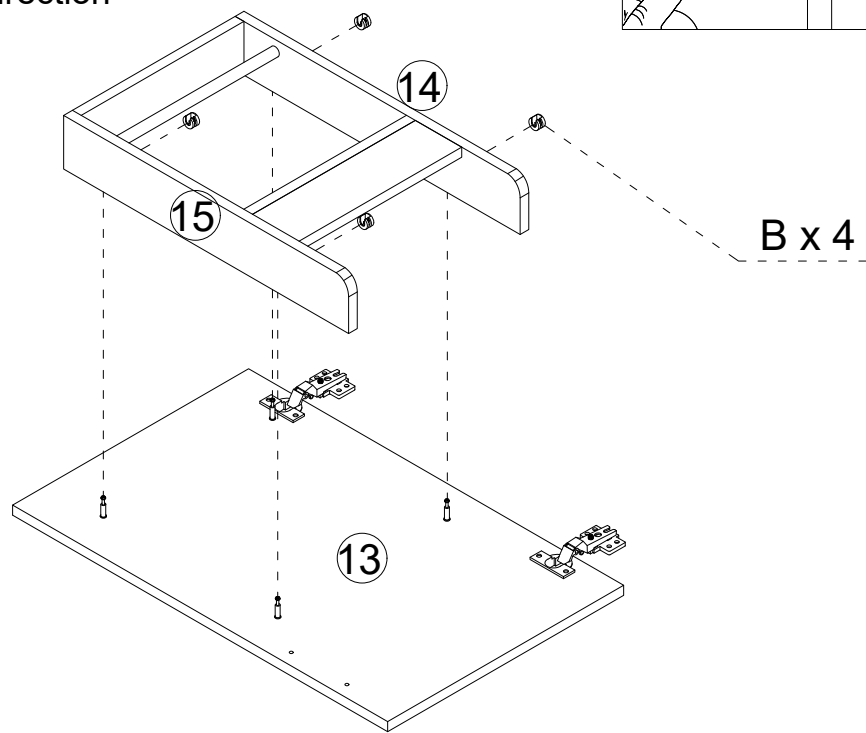
Step 10



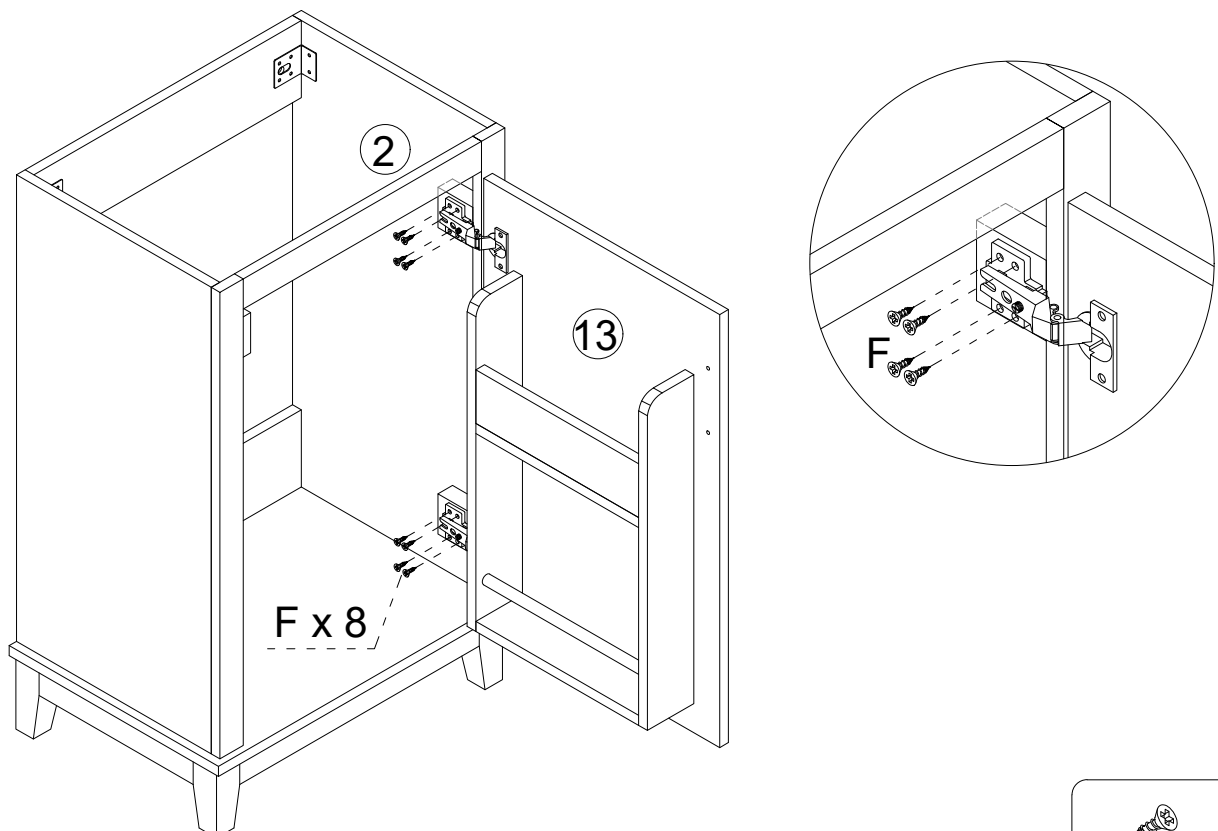
- | | | | | |
|-------|-------|-------|-------|-------|
| | | | | |
| A x 4 | D x 2 | E x 1 | F x 4 | L x 2 |

Step 11

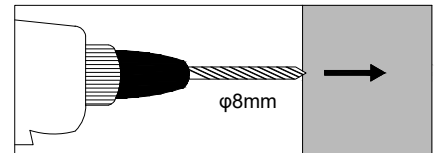
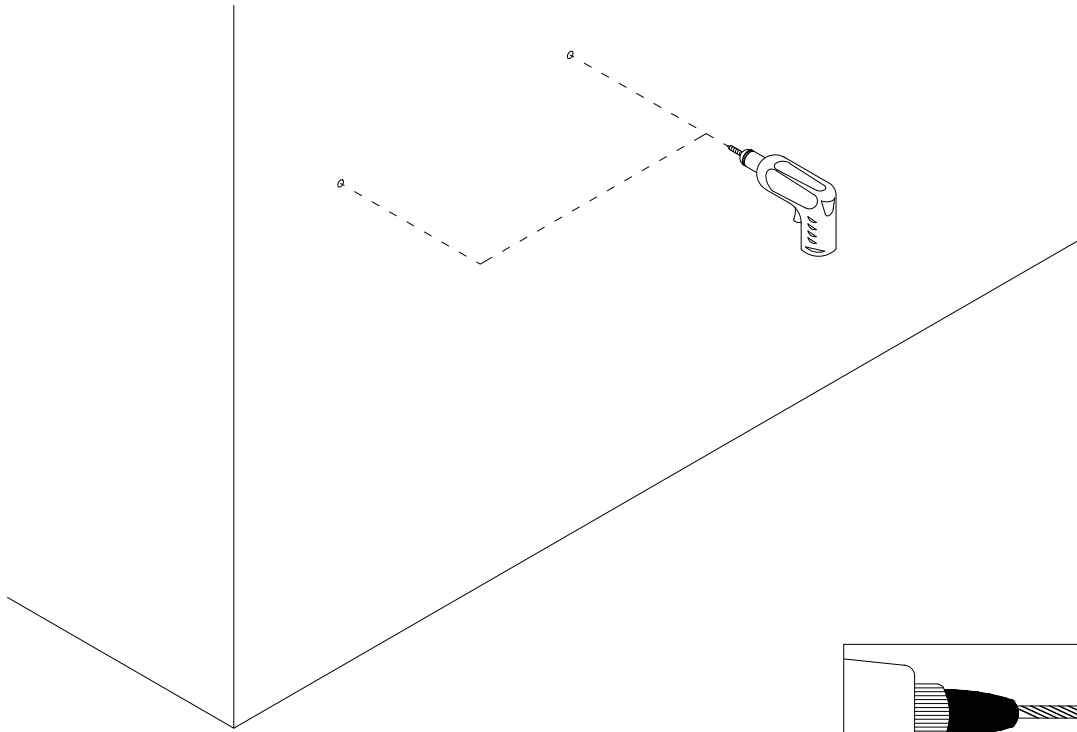
Pay attention to the direction



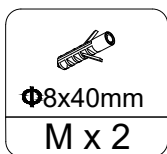
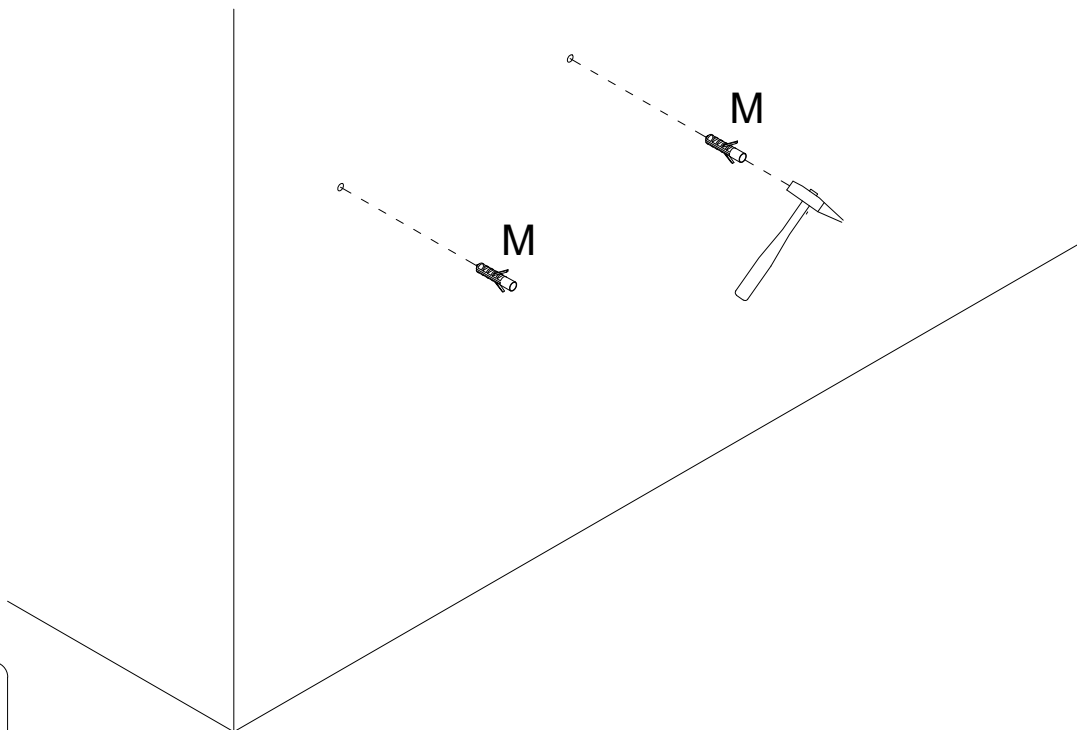
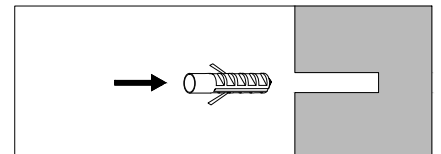
Step 12



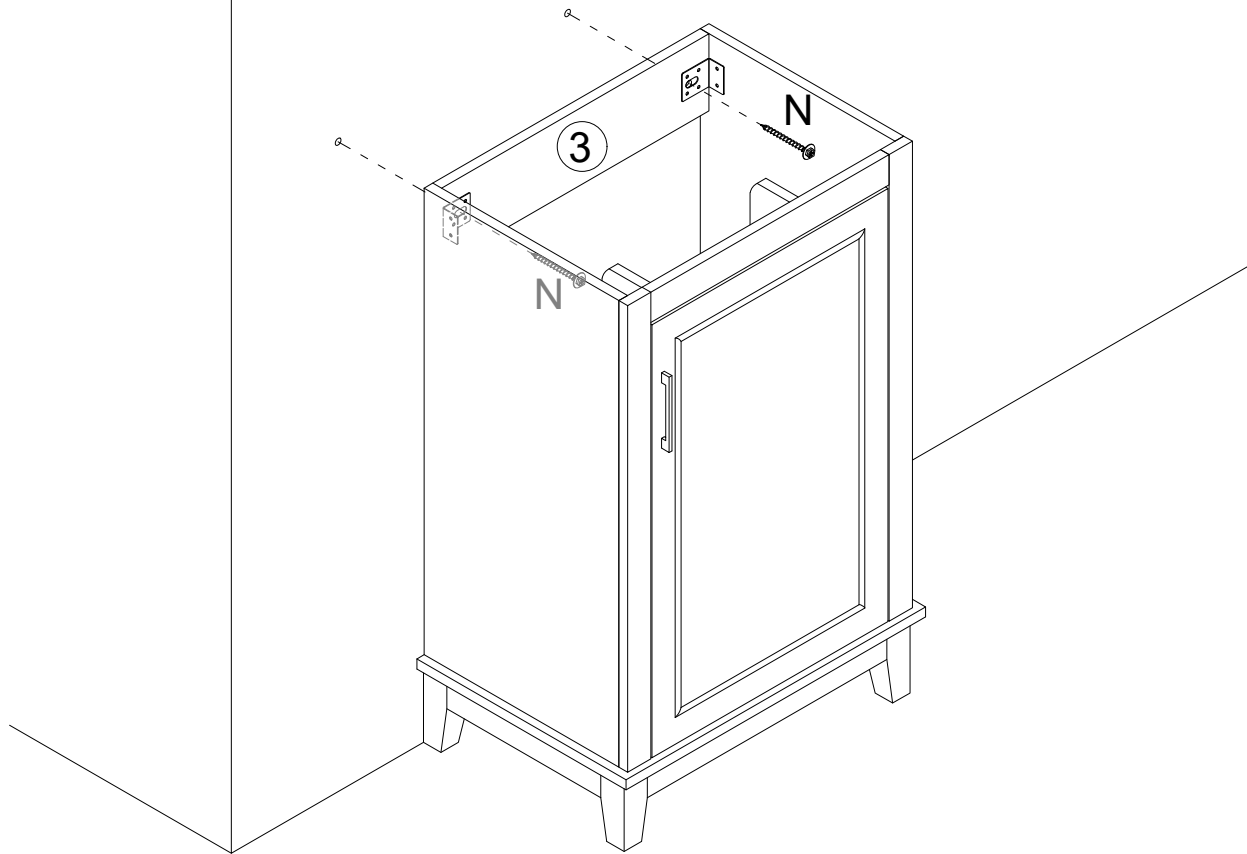
Step 13



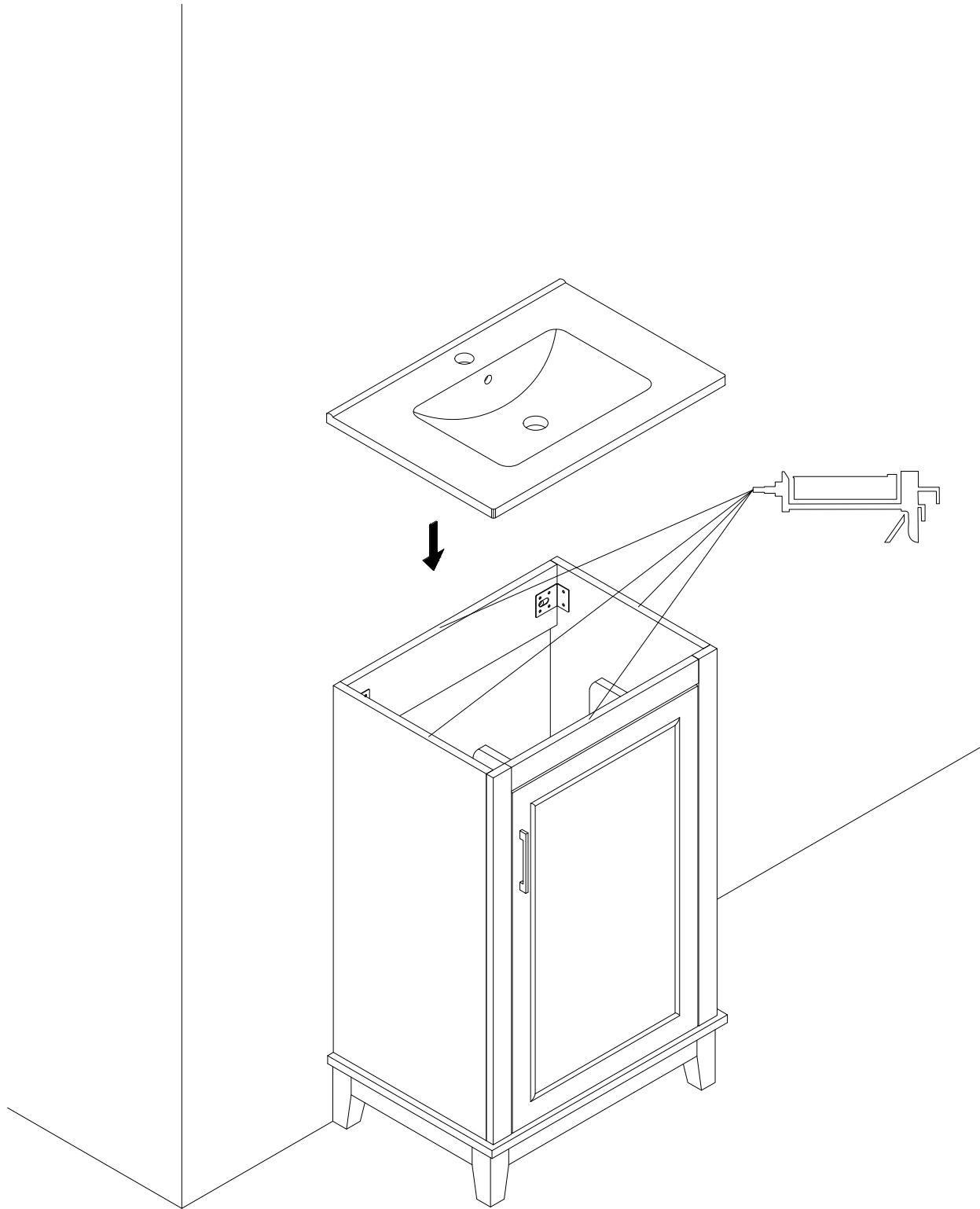
Step 14



Step 15



Step 16



Step 17

