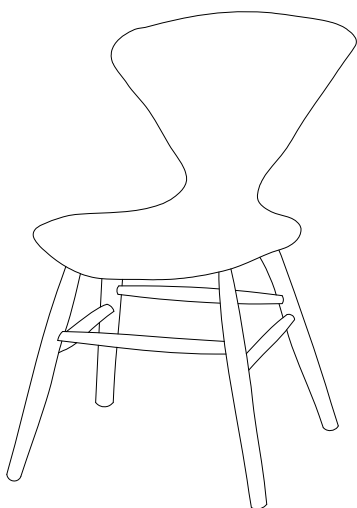


CHAIR

Thank you for purchasing the **Chair**!

Before you start, here is some helpful advice:

1. We suggest you spend a short time reading through this leaflet and then follow the simple step-by-step instructions.
2. Owing to the size and weight of the chair, we recommend that it is assembled by two adults, on a carpeted or padded area, in the room that it is intended for. Approximate assembly time: 30 minutes.
3. Please do not use any tools other than those provided or recommended in these instructions.
4. Please do not throw away any of the packaging or the instruction until you have checked all the components and hardware and the furniture is fully assembled. Please ensure that the packaging is disposed of in a safe and environmentally friendly way.
5. Assemble all components loosely until advised to tighten. Depending on use, it may be necessary to tighten the components from time to time, so please save the tools that have been provided.
6. Please keep all fitting out of reach of children.



Hardware:

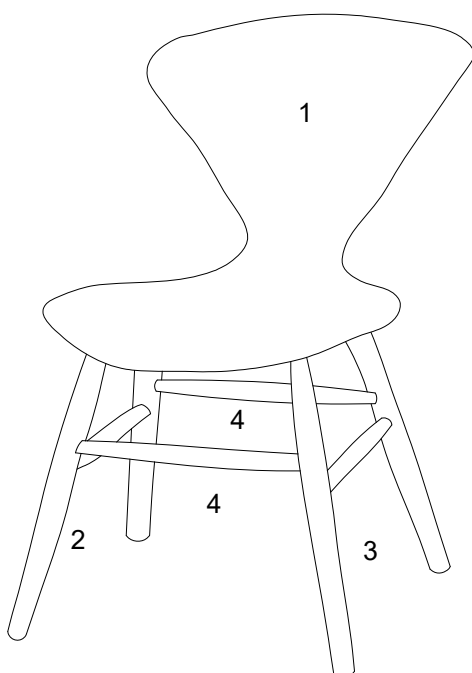
A  Bolt M6x25mm x 6

B  Allen Wrench M4 x 1

C  Screw M4x30mm x4

 PHILLIPS HEAD SCREW DRIVER
NOT PROVIDED

Component:



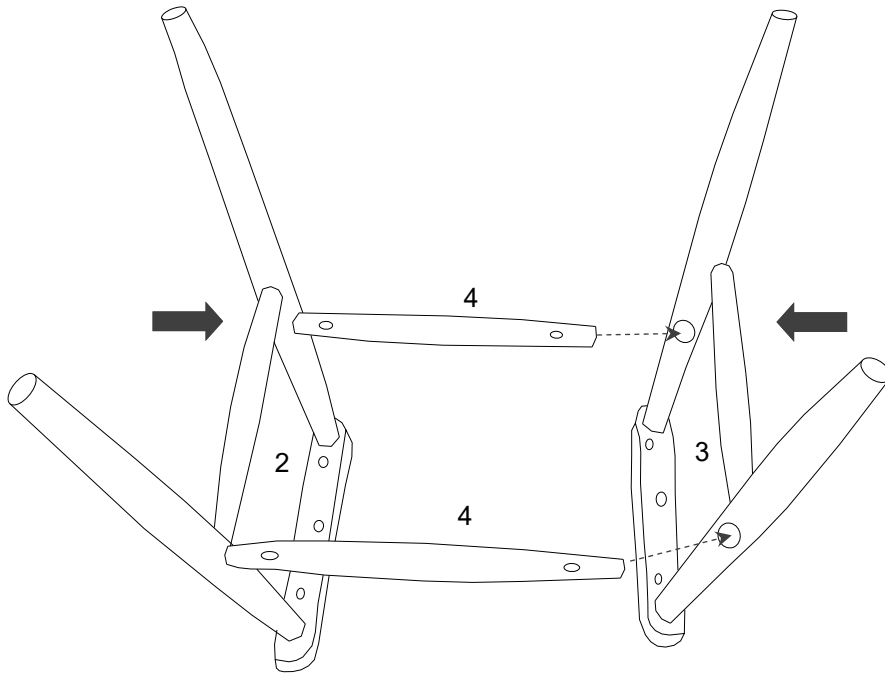
1	Chair Body	x1	2	Left Leg	x1	3	Right Leg	x1	4	Stretcher	x2
---	------------	----	---	----------	----	---	-----------	----	---	-----------	----

CHAIR

STEP 1:

Please put **Left Leg (2)** and **Right Leg (3)** upside down on a carpeted or padded area.

Insert **Stretcher (4)** into the pre-dilled holes on **Left Leg (2)** and **Right Leg (3)** as shown.



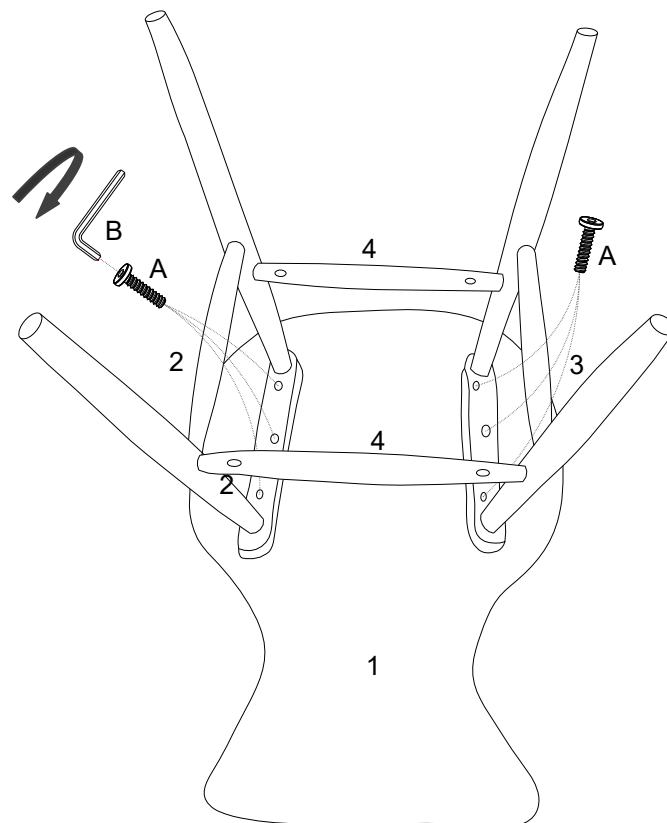
STEP 2:



Position the assembled **Left Leg (2)**, **Right Leg (3)**, and **Stretchers (4)** to the bottom of **Chair Body (1)** as shown.

Insert 3 pieces of **Bolt (A)** into the holes on bottom of **Chair Body (1)** through the holes on **Left Leg (2)**.

Do not fully tighten **Bolts (A)** at this step.

Repeat the same steps for **Right Leg (3)**.



	
Ax6	Bx1

Hardware & Tool required

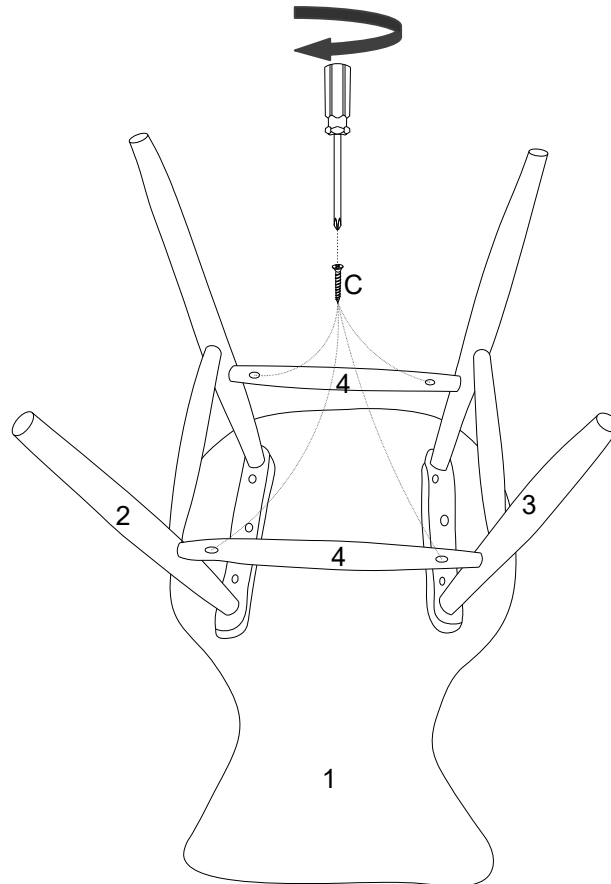
CHAIR



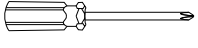
STEP 3:

Secure **Stretchers (4)** to **Left Leg (2)** and **Right Leg (3)** by using 4 pieces of **Screw (C)**.

Use **Phillips Head Screw Driver (Not provided)** to tighten **Screw (C)** clockwise until secure.

Use **Allen Wrench (B)** to tighten **Bolts (A)** from step 2 clockwise until secure.

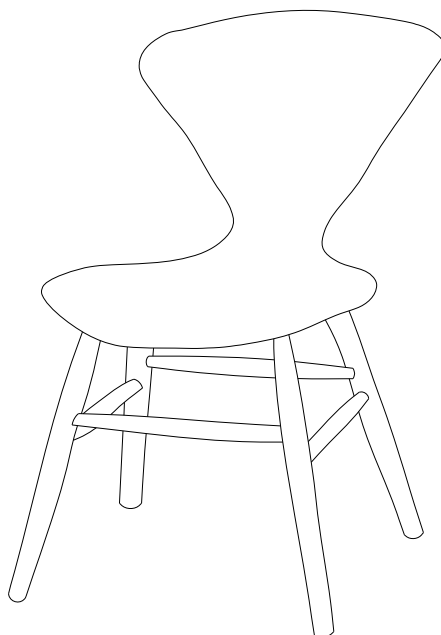


		
Bx1	Cx4	PHILLIPS HEAD SCREW DRIVER NOT PROVIDED

Hardware & Tool required

STEP 4:

Carefully turn over the assembled chair.



Assembly is complete. Your chair is ready to be use now!