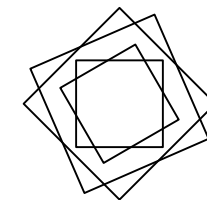
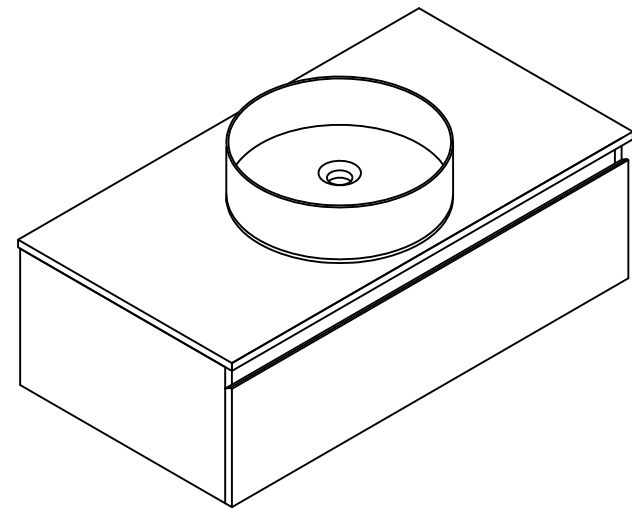


**Installation Manual-** BV B11830  
BV B11836

**MOTIVATE  
YOUR LIFE !**

## THANKS FOR WATCHING

Your feedback is invaluable to us and we would love to hear about your experience. Please take the time to leave us a review.


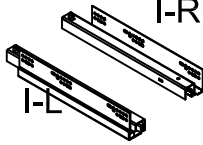








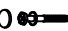





## Thank you for shopping with us!

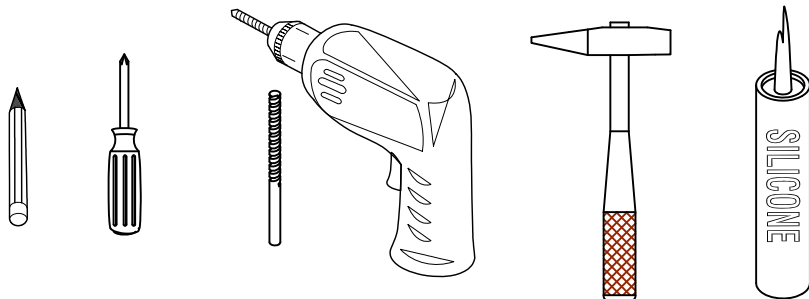
We encourage you to take a few minutes to go through this booklet. It contains important information on installation and care tips to keep your furniture looking as good as new.

# Item NO.:BV B11830 / BV B11836

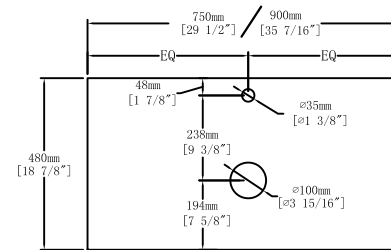
## Hardware

NO.	Draw	QTY	NO.	Draw	QTY
A	 Screws Ø4x14mm	30	I	 I-R I-L Track	1
B	 Two-in-one connector	29	J	 U-Shaped plastic	1
C	 Two-in-one connector	29	K	 Screws Ø4x20mm	6
D	 Wood plug	2	L	 Screws Ø4x10mm	7
E	 Plastic anchor(Ø10mm)	4	M	 Anti-collision gasket	4
F	 Screws for fix on the wall	4	N	 Screwdriver	1
G	 Bracket (53x70x44mm)	2			
H	 Bracket (19x19x35mm)	2			

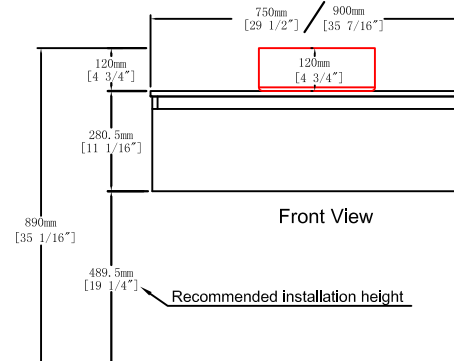
## Recommended tools



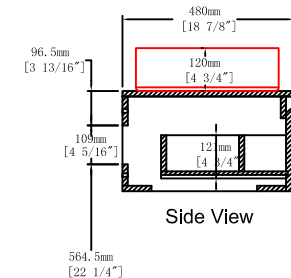
## Dimensions



Top View



Front View



Side View

Floor

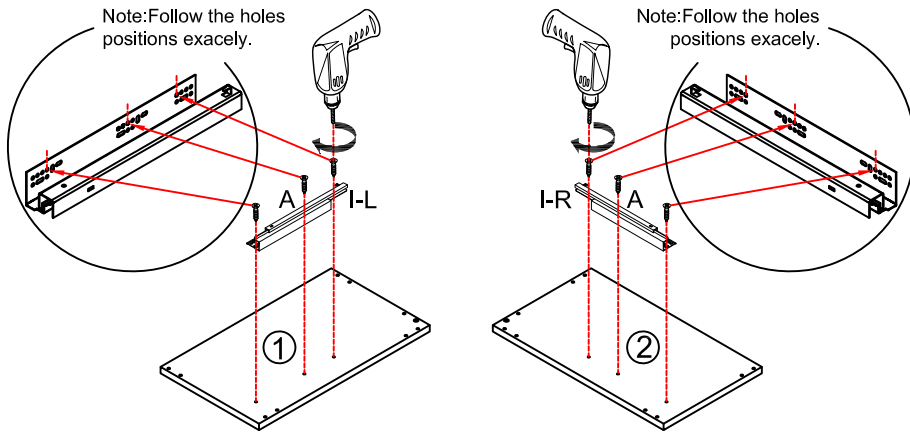
## CARE CLEANING AND MAINTENANCE

1. Dust regularly with a soft , dry cloth.
2. Avoid the use of all chemicals household cleaners, abrasives, or cleaners that contain lemon, vinegar, or other acids that may damage the finish.
3. Excessive exposure to sunlight and extreme changes in temperature and moisture can damage wood furniture.
4. The sink is fragile, please pay attention to maintaining its appearance.
5. Do not place hot appliances, such as curling irons and hot hair dryers directly on the countertop. Wipe spills immediately.

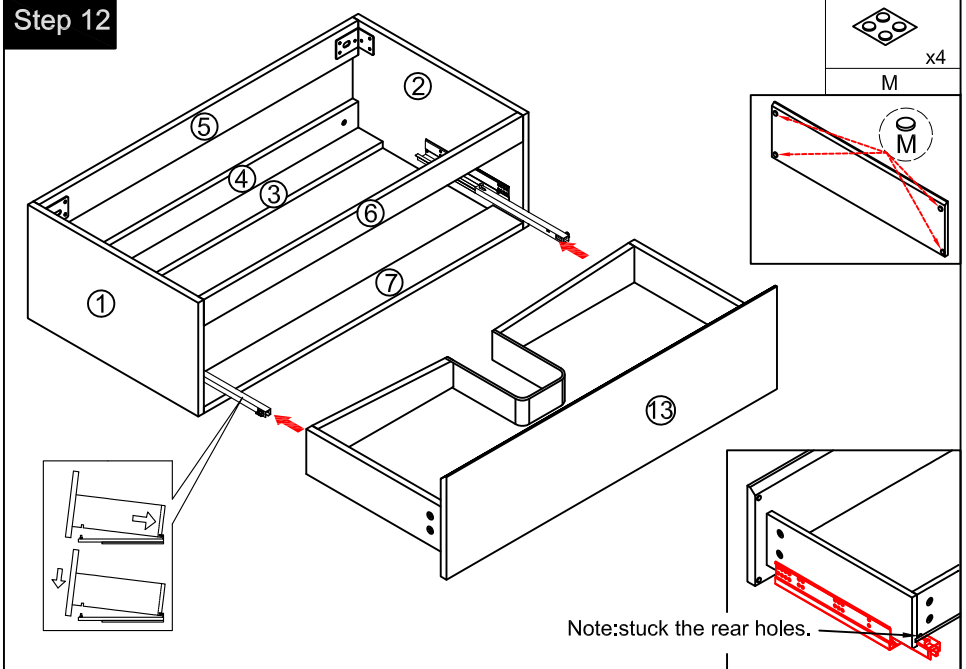


### Step 1

( $\varnothing 4 \times 14\text{mm}$ ) A x6	I-L I-L x1	 Tool
--	---------------	----------

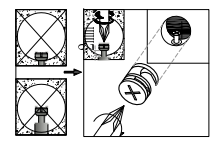
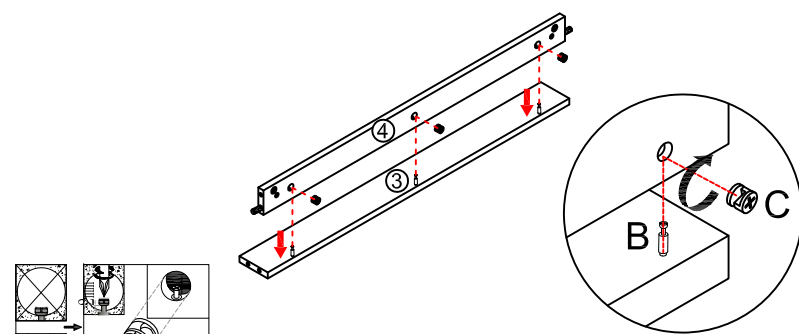


### Step 12

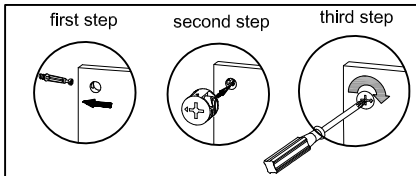
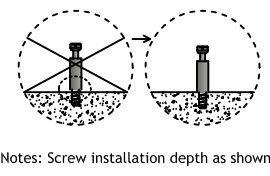
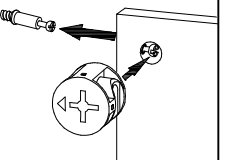


### Step 2

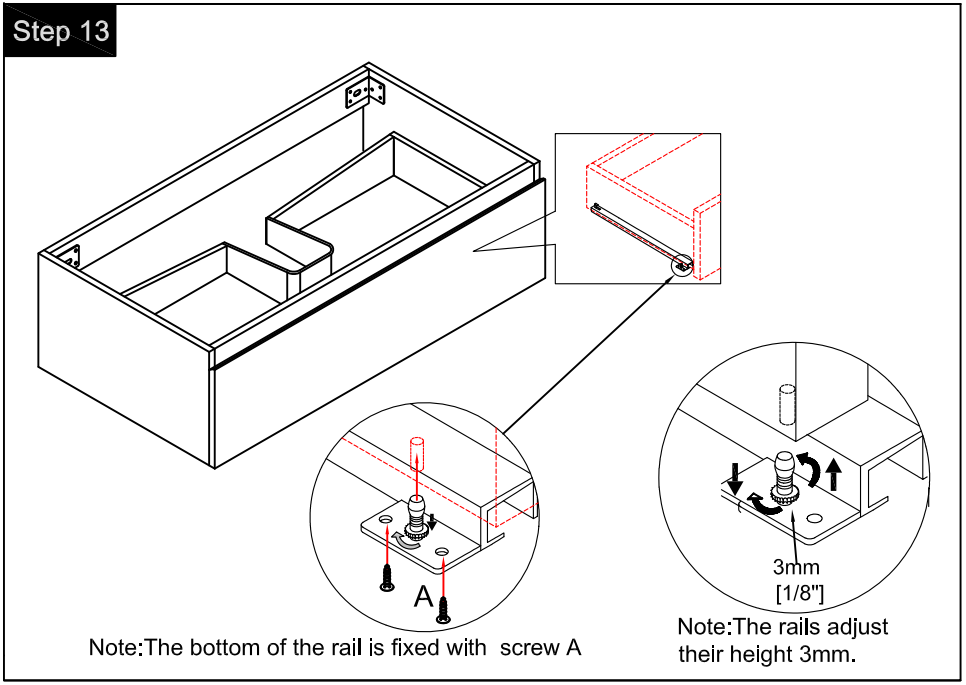
 B x3
 C x3
 N



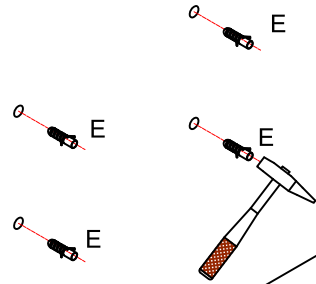
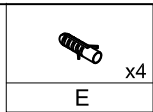
Attention: The lock handle arrow points to the side face.



### Step 13

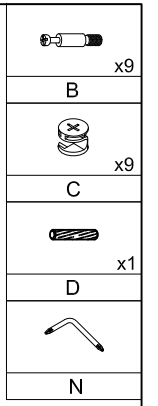
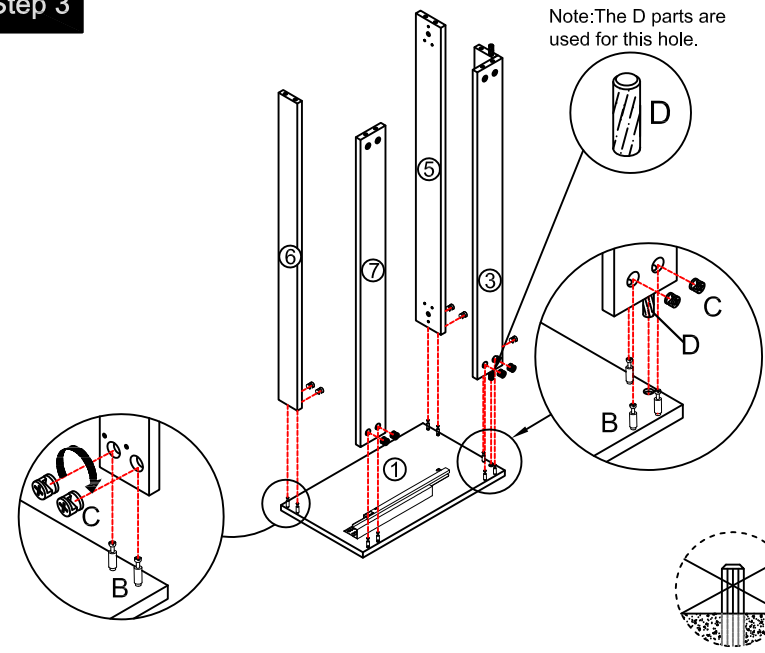


### Step 10

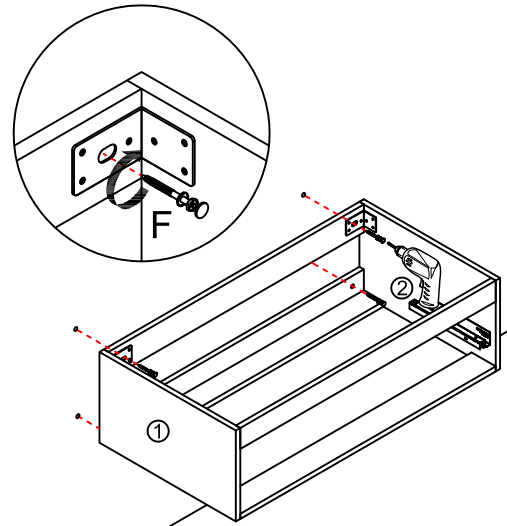
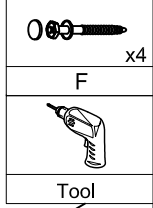


### Step 3

Note: The D parts are used for this hole.

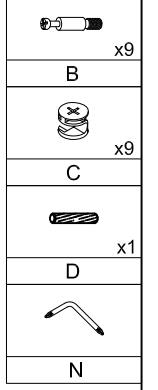
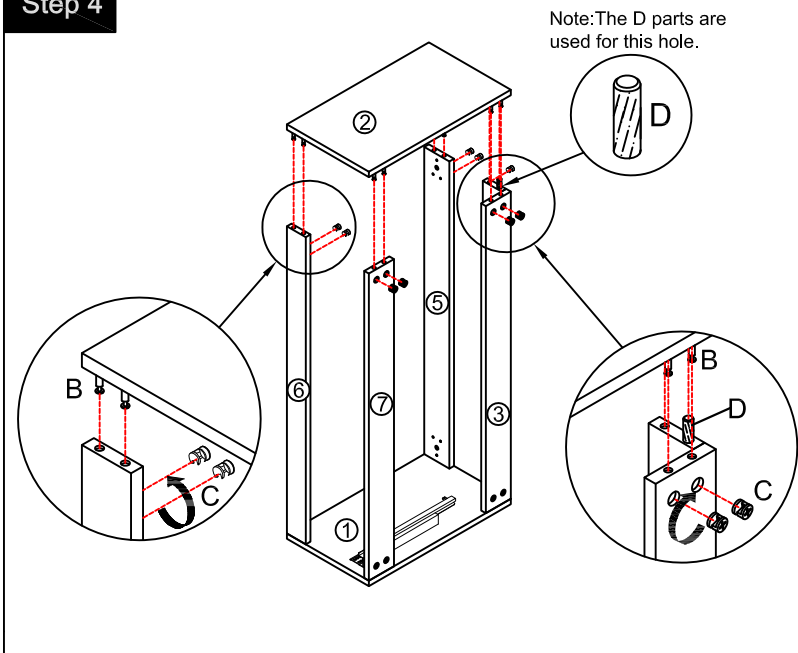


### Step 11

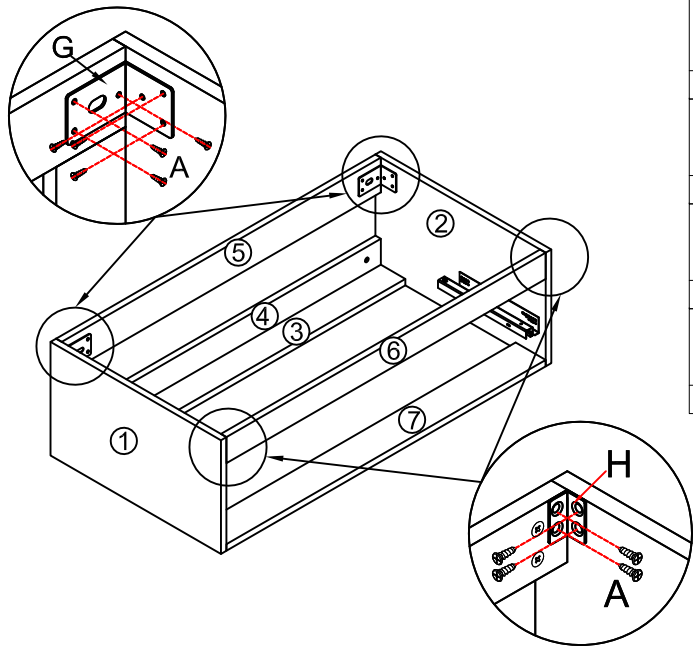


### Step 4

Note: The D parts are used for this hole.

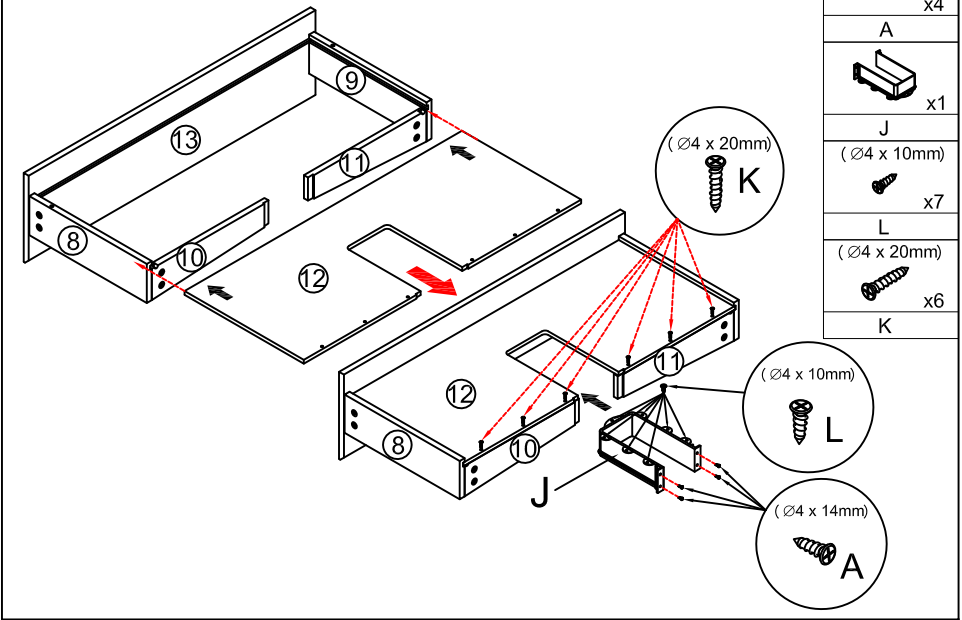


### Step 5



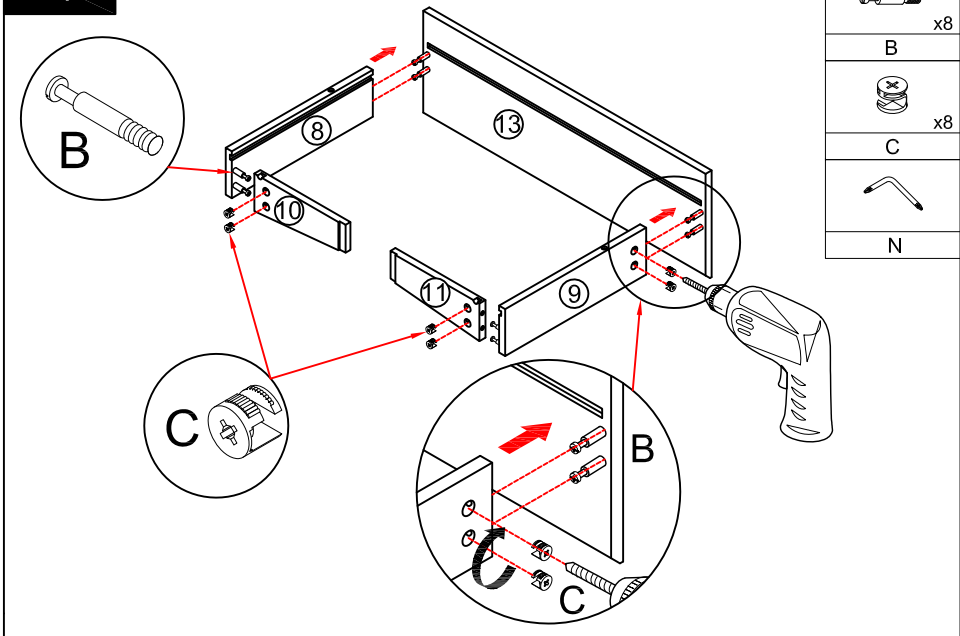
	x2
G	
	x2
H	
( $\varnothing 4 \times 14\text{mm}$ )	
	x20
A	
Tool	

### Step 7



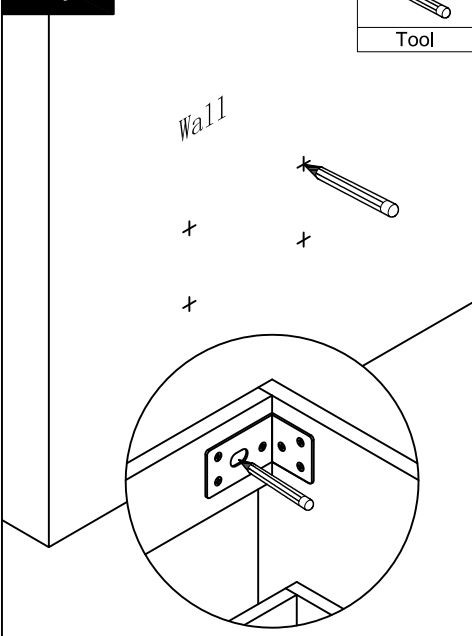
( $\varnothing 4 \times 14\text{mm}$ )	
	x4
A	
	x1
J	
( $\varnothing 4 \times 10\text{mm}$ )	
	x7
L	
( $\varnothing 4 \times 20\text{mm}$ )	
	x6
K	

### Step 6



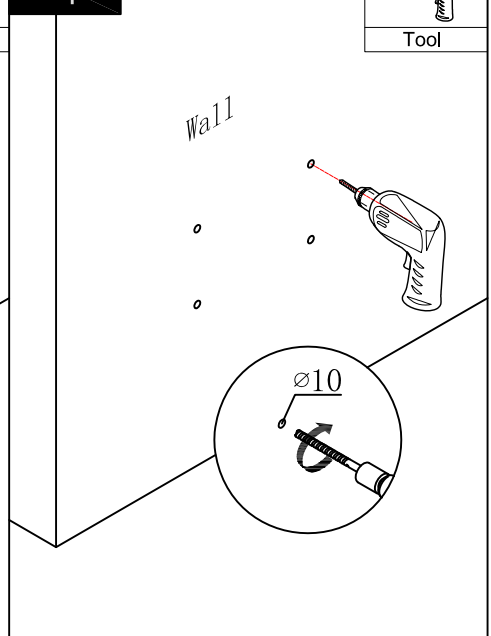
	x8
B	
	x8
C	
N	

### Step 8



Tool	

### Step 9



Tool	