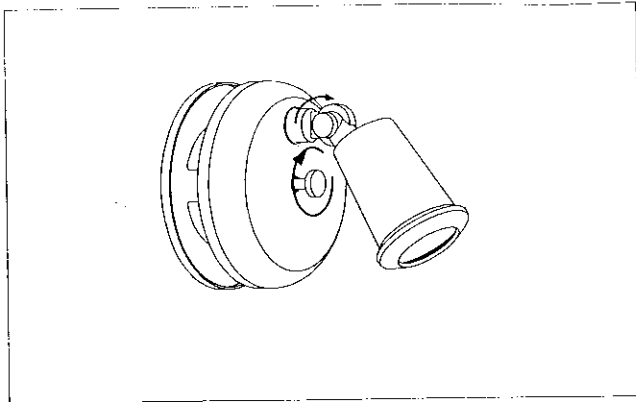


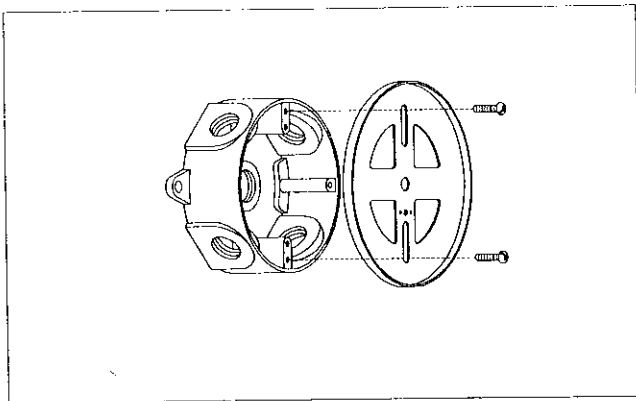
Quick Mount

1 LIGHT PAR FLOOD INSTALLATION INSTRUCTION

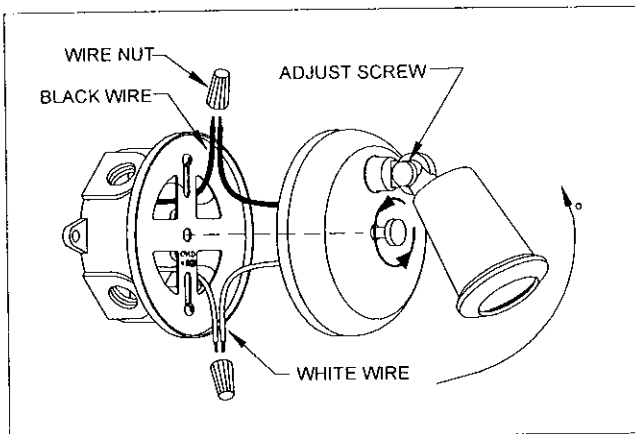
SUITABLE FOR OUTDOOR / INDOOR



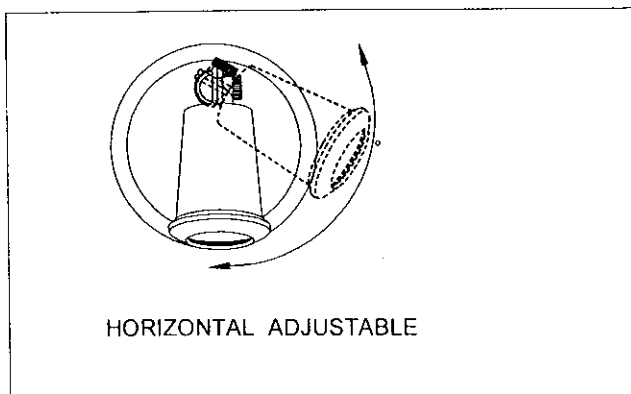
- Turn off power
- To loosen the center screw



- Attached backplate to junction box



- To connect power and install canopy to backplate



HORIZONTAL ADJUSTABLE

- To adjust PAR holder face down and the direction what you want to be...
- Turn on power.