



SPECIFICATIONS

COS-GRP366 Gas Range



COS-GRP366

Transform the way you cook with Cosmo's COS-GRP366 Gas Range. Cook a variety of different foods using the sealed, Italian-made 6 burner cooktop and convection oven with 4 functions. Equipped with LED panel lighting.

Features

- Designed for freestanding or slide-in
- 6 Italian-made sealed burners
- 5.4 cu. ft. convection oven
- 4 oven functions & oven light
- Oven cavity ventilation system for safe heat dissipation
- Cast iron grates
- Solid Metal Knobs
- LED panel lighting

Size	36 Inch / 5.4 cu. ft. Capacity
Fuel	Gas
Installation	Freestanding / Slide-In
Controls	Full Metal Knobs
Oven	Convection
Material	304-Grade Stainless Steel
Electrical	120V / 60Hz, 8.37A
Racks	2 Racks, 5 Positions
Oven Functions	Bake, Broil, Convection Bake, Convection Roast
Burners	<ul style="list-style-type: none">• Front Right / 20,000 BTU• Front Left / 15,000 BTU• Right Rear / 12,000 BTU• Left & Mid Rear / 9,000 BTU• Front Mid / 6,000 BTU• Bake Burner / 22,000 BTU• Broil Burner / 10,000 BTU



Auto Re-Ignition



Metal Knobs



Cast Iron Grates



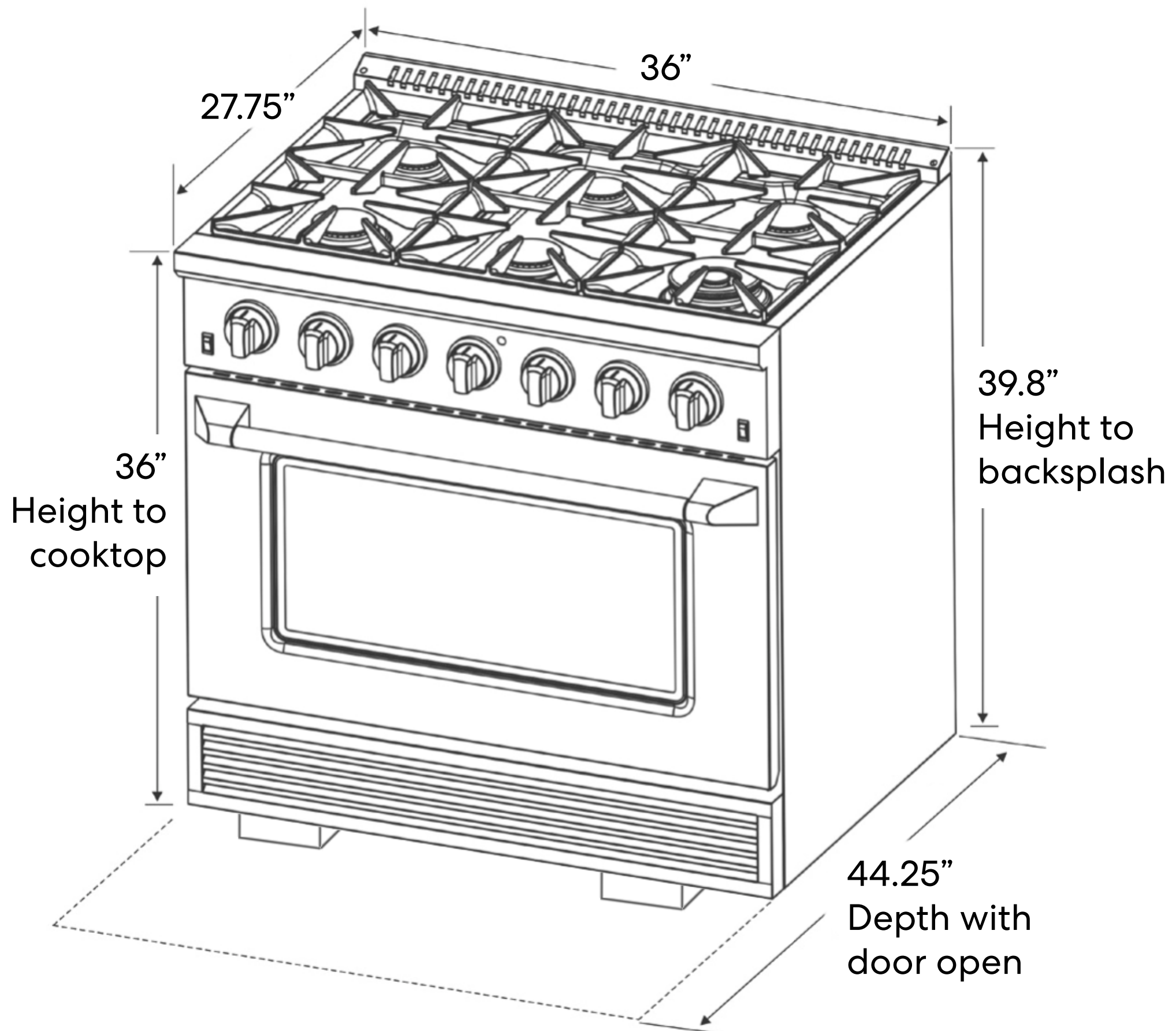
See Page 2 for dimensions

For more information, please visit: www.cosmoappliances.com



DIMENSIONS

COS-GRP366 Gas Range



Dimensions (WxDxH): 36" x 27.75" x 36-39.8"