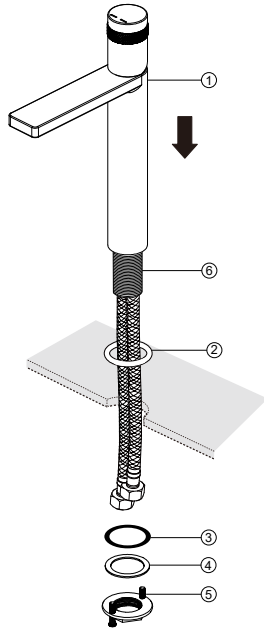


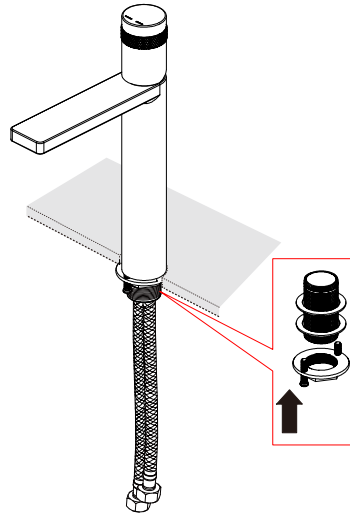
BEFORE INSTALLATION

- To insure proper installation, please read the following instructions carefully.
- Please make sure that the water supply has been shut off at the stop valve.
- EZANDA reserves the right to update product without notice.

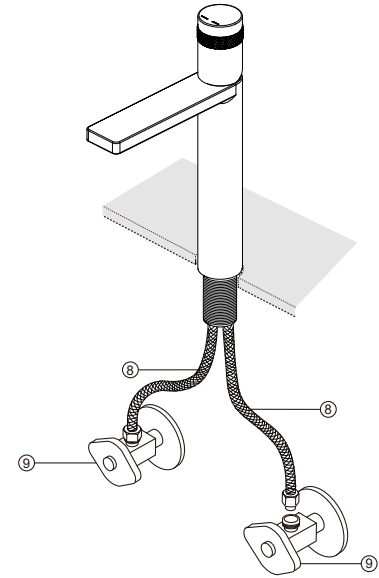
please contact **EZANDA** first ,
If you have any question or need help.
market@ezanda.com



1. Install Gasket ② onto Faucet Body ①.
Slide single hole faucet through the mounting hole.



2. Place Stainless Steel Washer ④ and Rubber Washer ③ onto Mounting Studs ⑥ under the deck, and tighten the Mounting Nuts ⑤ securely as shown.



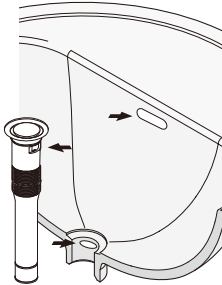
3. Connect and screw on the Supply Hoses ⑧ to Valves ⑨.
4. Turn on faucet to check for leaks.

· Every once in a while, please rinse the faucet with lukewarm soapwater , and wipe it clean with a soft duster cloth.
Please avoid any abrasive cleaners, steel wools, or corrosive chemicals.

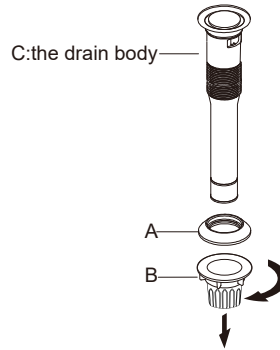


NOTES:

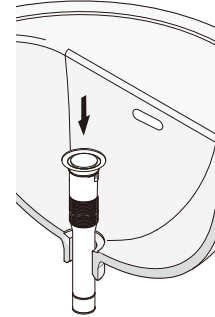
- Fits for sink WITH overflow hole.
- Clean the sink hole, make sure to remove debris.
- Please avoid using plumber's putty. The seal on top is leak-free. Plumber's putty might cause damage.
- Silicone and plumbing tape can be used for sealing requirement.



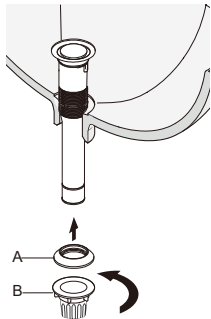
1 Unscrew components A & B to the seal.



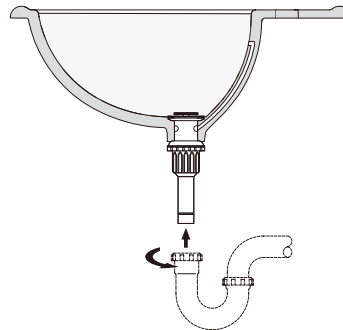
2 Slide the drain body C through the hole in the sink.



3 Screw components A & B back on as shown.



4 Connect the rear end of the drain to the Drain Pipe.



5 Push to activate.

