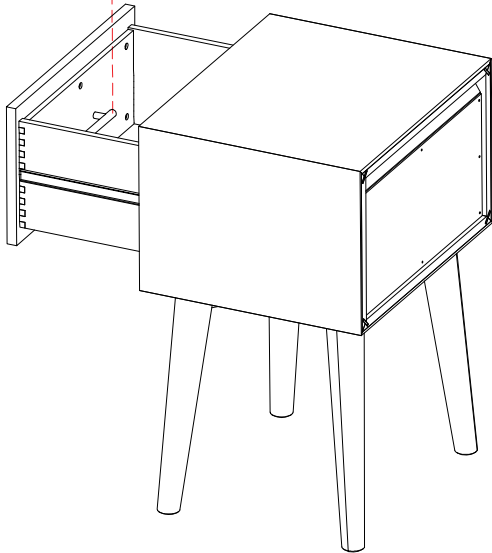
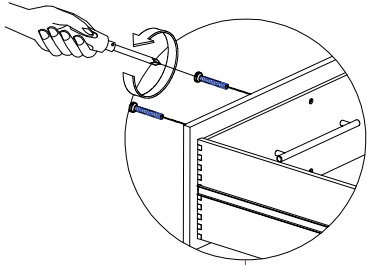


END TABLE

Assembly Instruction

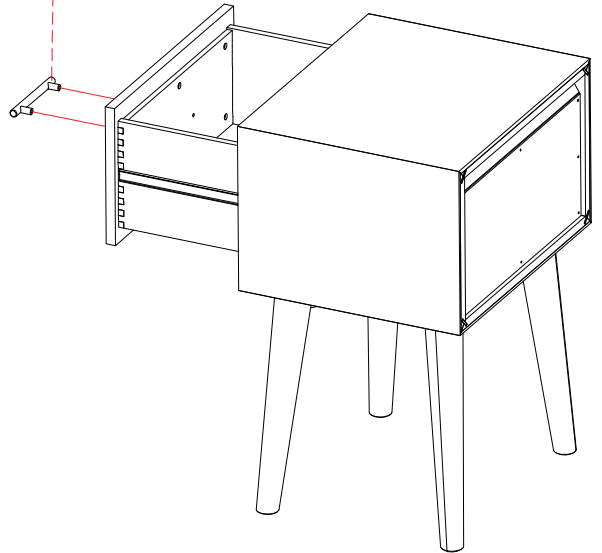
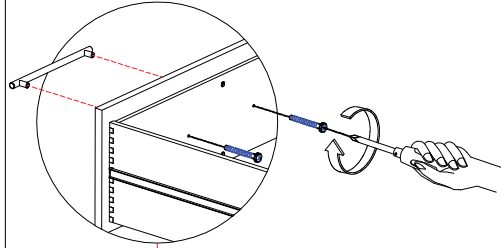
STEP 1

UNSCREW HANDLE



STEP 2

RE-SCREW ON REVERSE SIDE



FINISH

