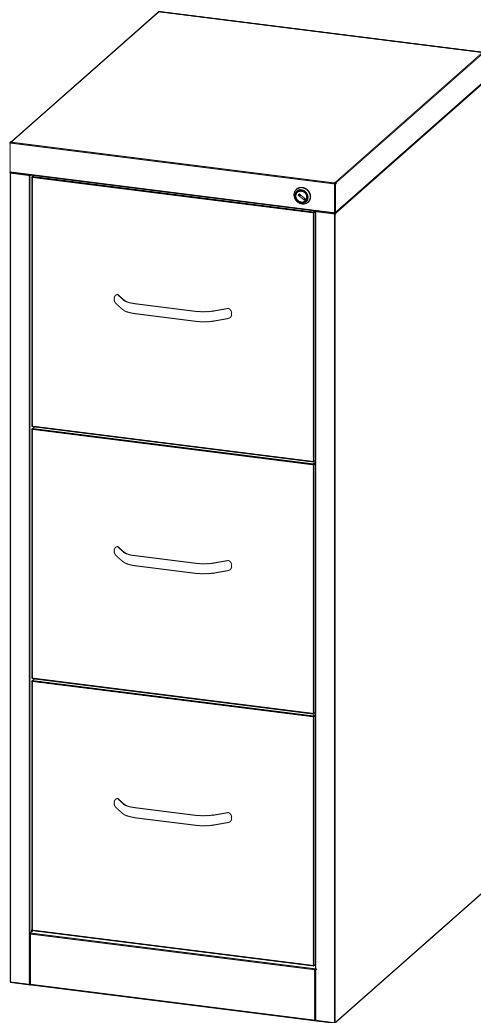


ASSEMBLY INSTRUCTION



CUSTOMER SERVICE CENTER

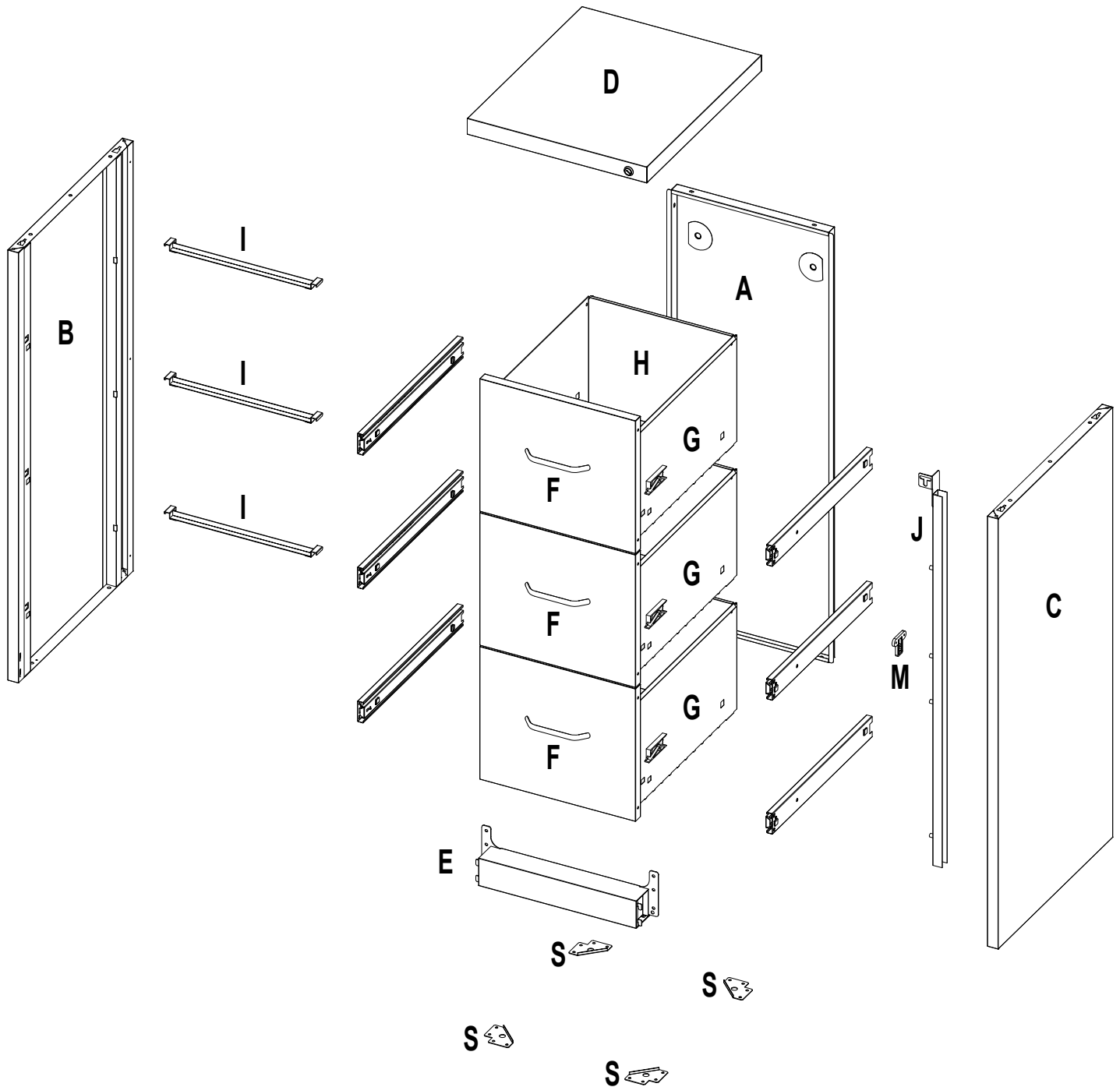
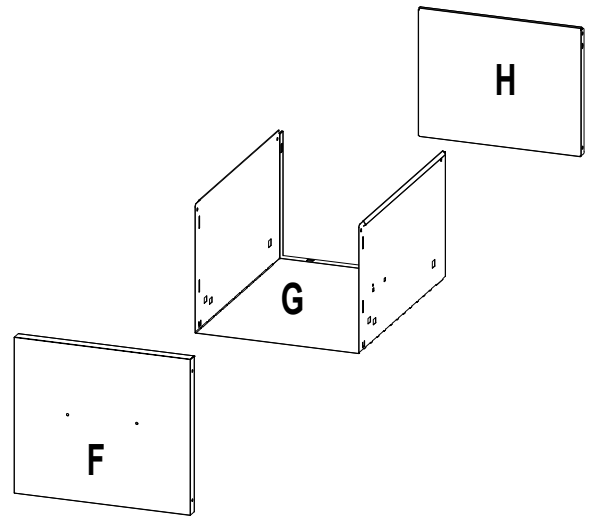
Dear customer, thank you very much for purchasing from us.

For any issues, please e-mail us

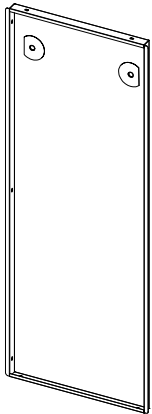
We will solve the issues for you within 24H .

Return & Warranty policy:

- 1.We offer 6-months warranty for our products. If you need any help, please contact us anytime directly.
- 2.To save your time and money (The return label in the sale platform is unpaid) please DO NOT return the product back without informing us but contact us directly.
- 3.If there' s any quality issue, please offer us some images or videos to confirm the problem so that we can offer you the best solution rather than just return back to cost your money.
- 4.If there's no quality issue but you want to return the product back, please contact us and we will help you with the return (time and money saving)

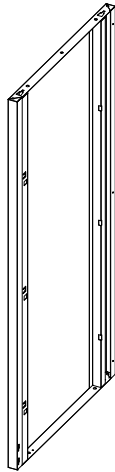


BACK PANEL



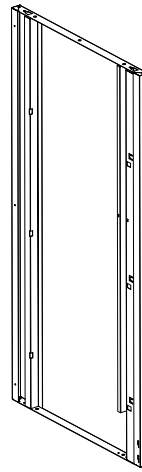
-A
-1 pc

LEFT PANEL



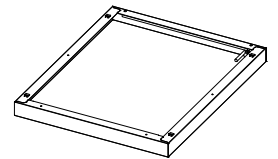
-B
-1 pc

RIGHT PANEL



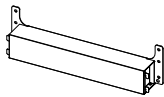
-C
-1 pc

TOP PANEL



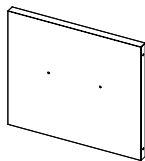
-D
-1 pc

FRONT FOOT



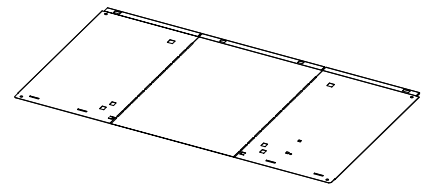
-E
-1 pc

DRAWER FRONT PANEL



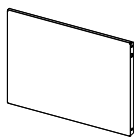
-F
-3 pcs

DRAWER PANEL



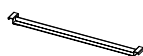
-G
-3 pcs

DRAWER BACK PANEL



-H
-3 pcs

HANGING FILE FOLDER BAR



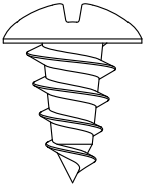
-I
-3 pcs

LOCK ROD



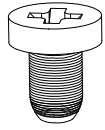
-J
-1 pc

SCREW



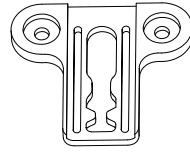
-K
-12 pcs
-M4×8

SCREW



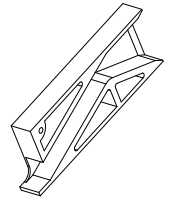
-L
-22 pcs
-M4×8

ANTI-TIPPING ACCESSORY



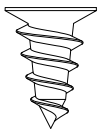
-M
-1 pc

DRAWER ACCESSORY



-N
-3 pcs

SCREW



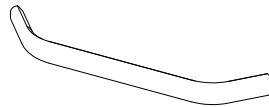
-O
-3 pcs
-M3×8

SCREW



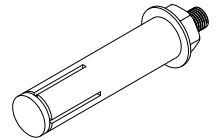
-P
-6 pcs
-M4×4

HANDLE



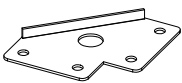
-Q
-3 pcs

EXPANSION SCREW



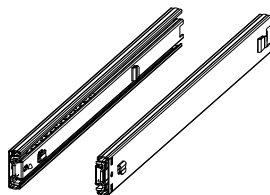
-R
-2 pcs

TRIANGULAR PLATE



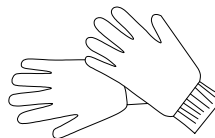
-S
-4 pcs

LEFT AND RIGHT SLIDING RAIL



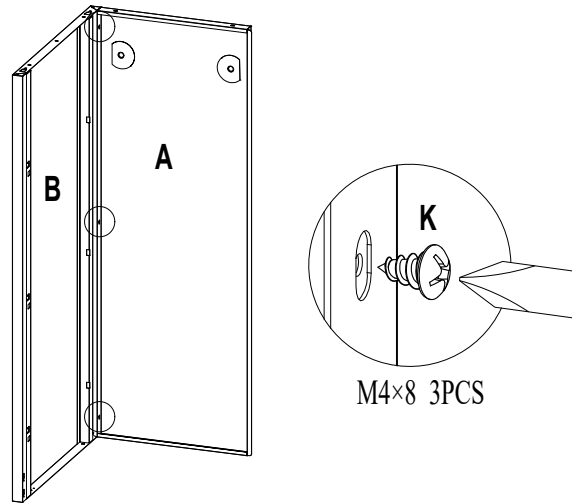
-T
-3 pcs

GLOVE



-U
-1 pc

Step 1 Connect back panel(A) with left panel (B), using 3 pcs screws (K).

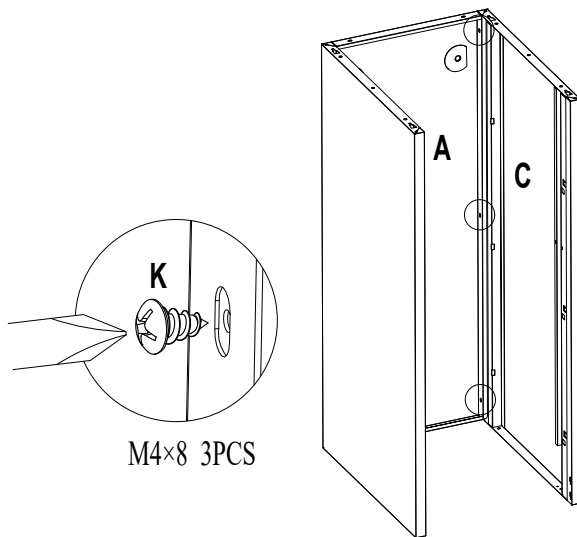


Need



Part A 1PC
Part B 1PC
Part K 3PCS

Step 2 Connect back panel(A) with right panel (C), using 3 pcs screws (K).

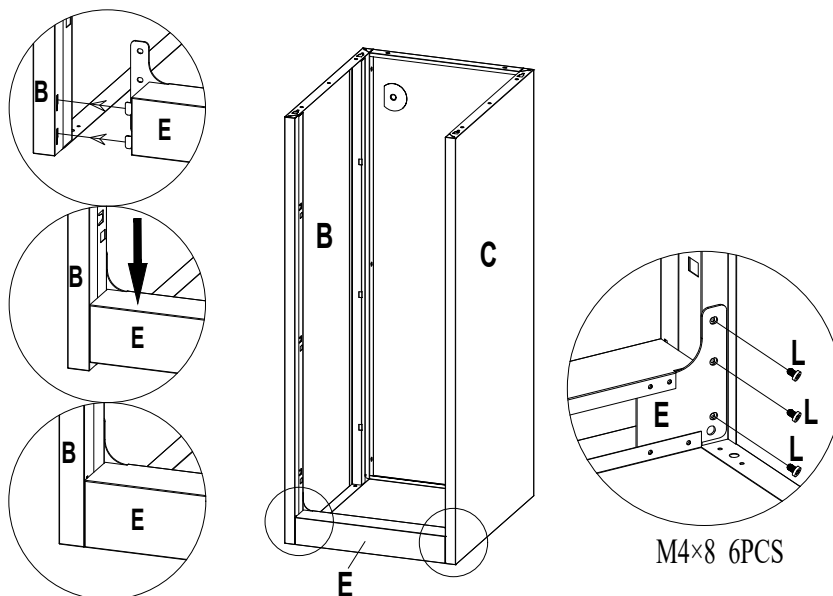


Need



Part C 1PC
Part K 3PCS

Step 3 Install front foot (E) using 6 pcs screws (L).

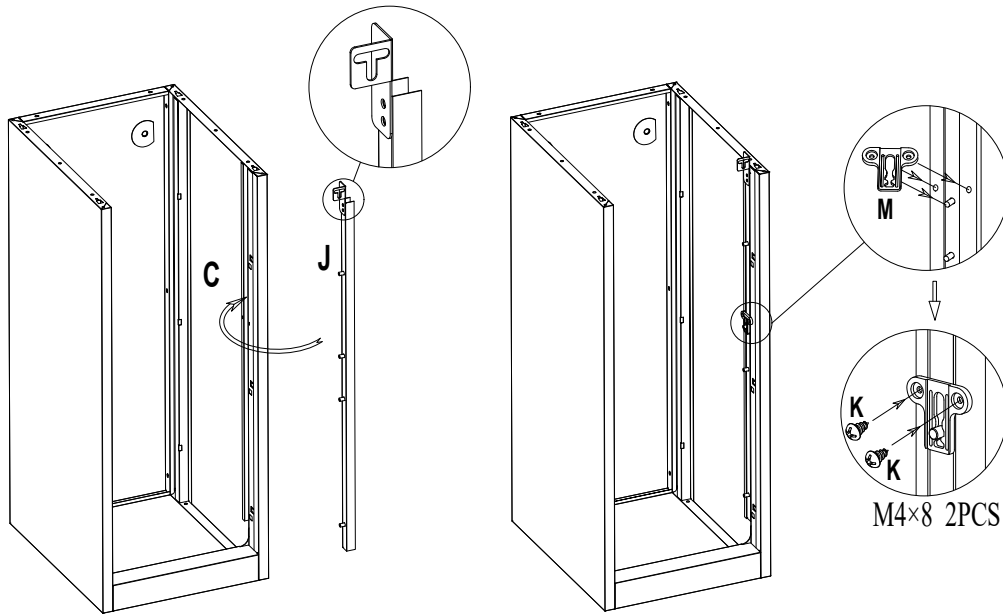


Need



Part E 1PC
Part L 6PCS

Step 4 Install lock rod (J) on the right panel (C), then using 2 pcs screws (K) to fix part (M).

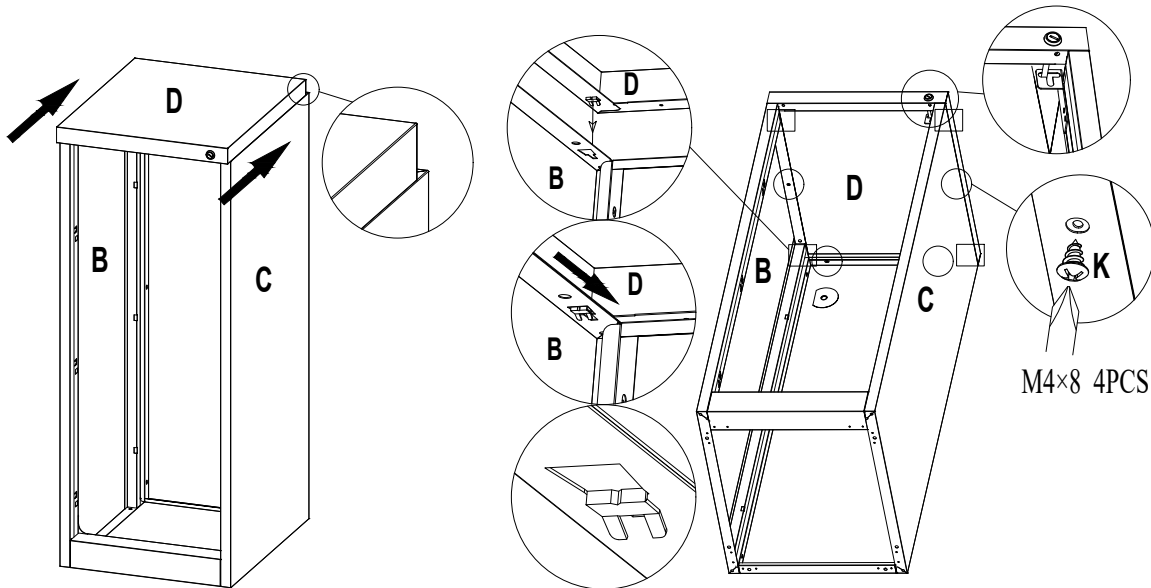


Need



Part J 1PC
Part M 1PC
Part K 2PCS

Step 5 Install top panel (D), using 4 pcs screws (K).

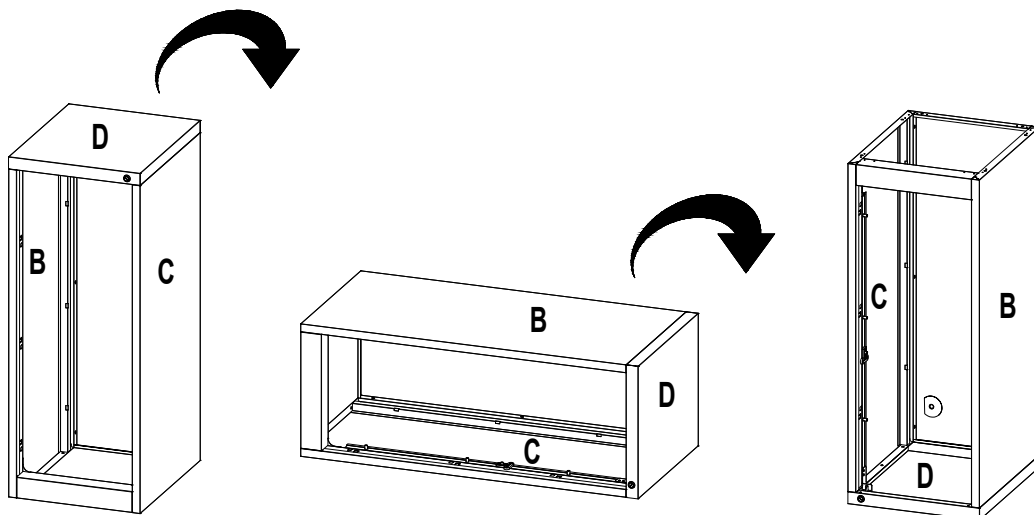


Need



Part D 1PC
Part K 4PCS

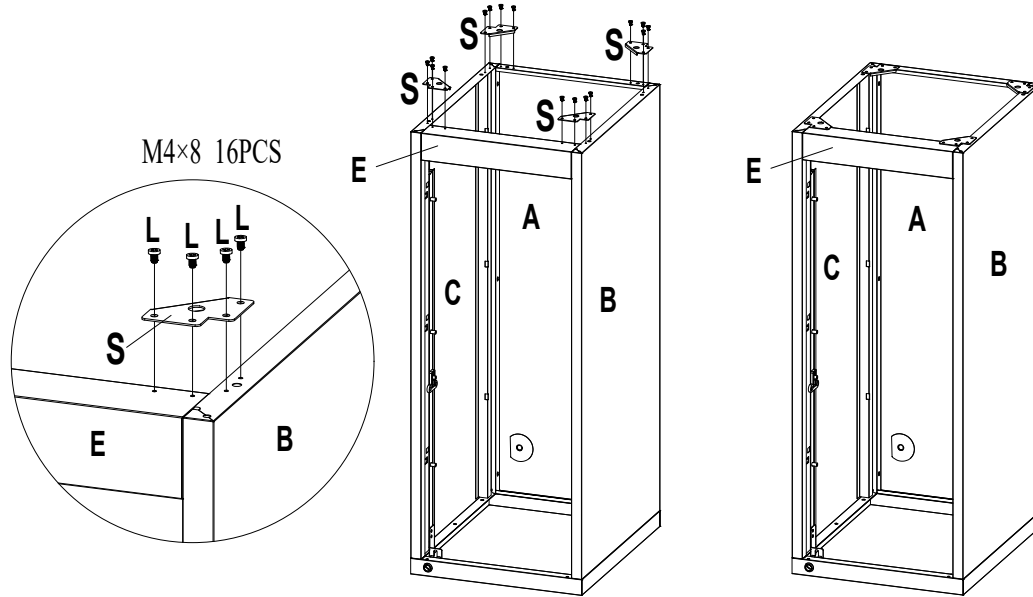
Step 6 Turn the cabinet upside down.



Need



Step 7 Install triangular plate (S) using 16 pcs screws (L).

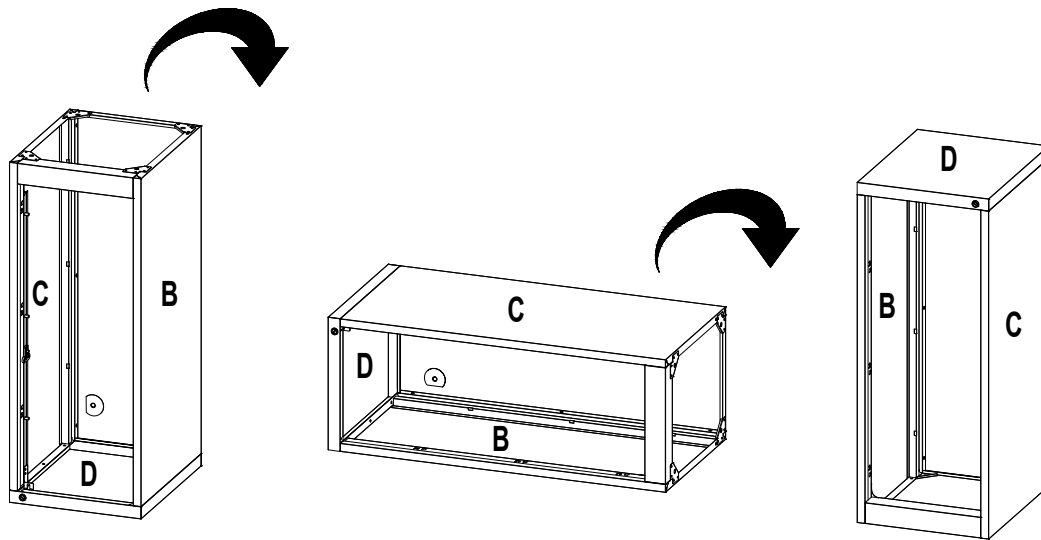


Need



Part S 4PCS
Part L 16PCS

Step 8 Turn the cabinet upright.



Need

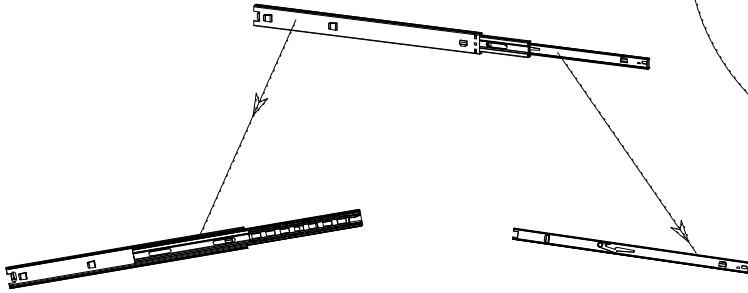


Step 9



Disassemble the rail (T).

1. Find the left rail, with "L" mark .
2. As the picture show to find the black plastic, then put down, the rail is take down.

Left



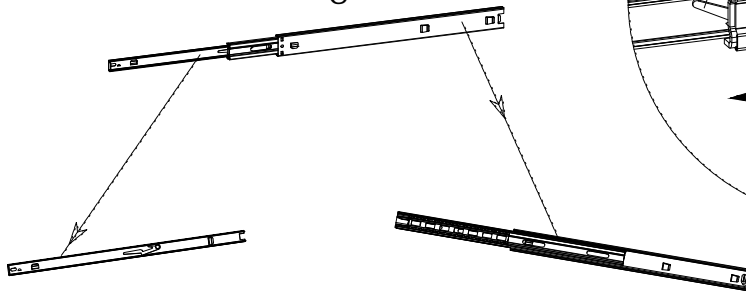
BLACK PLASTIC down

Need	
	
Part T 3PCS	



1. Find the right rail, with "R" mark .

2. As the picture show to find the black plastic, then put up, the rail is take down.

Right

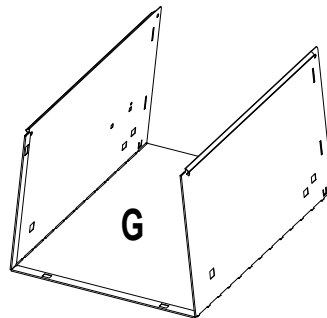
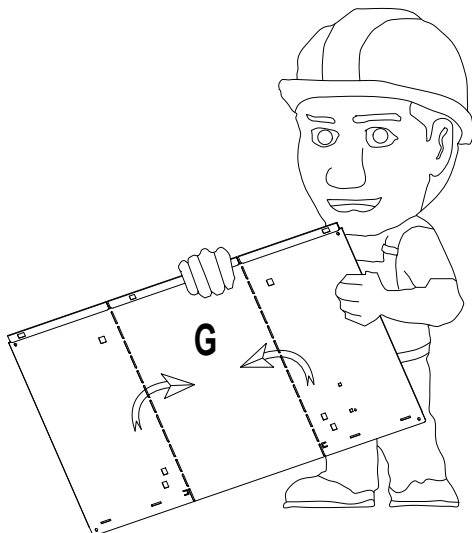




up

Need	
	
Part T 3PCS	

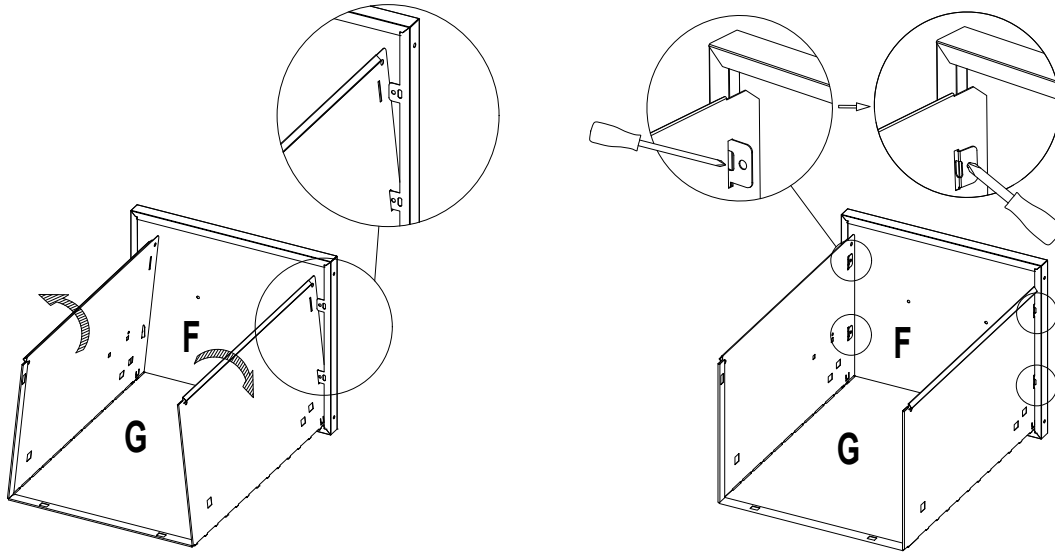
Step 10

Install the drawers.



Need	
	
Part G 3PCS	

Step 11 Connect drawer panel (G) with drawer front panel (F), then fixed the drawers as shown.

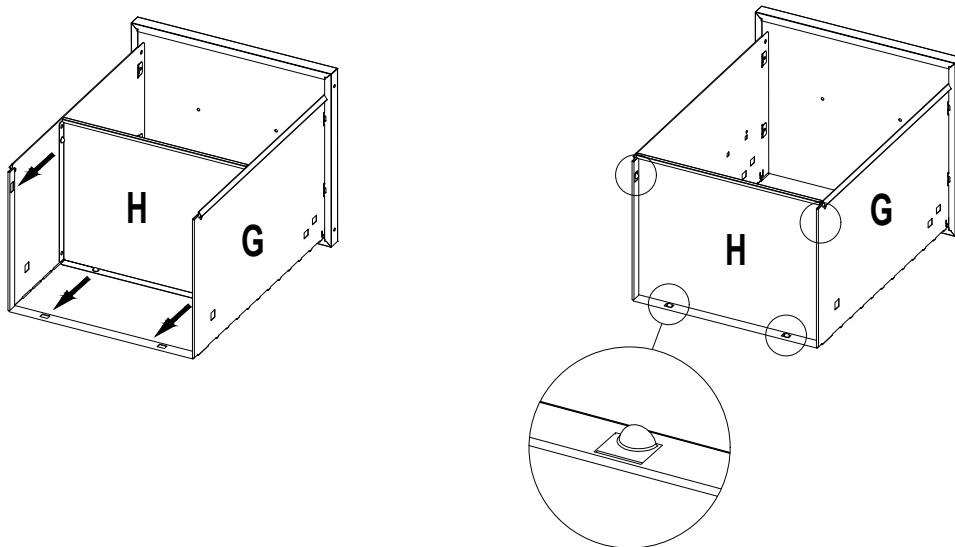


Need



Part F 3PCS

Step 12 Put drawer back panel (H) into the drawer and push it into the fixing hole.

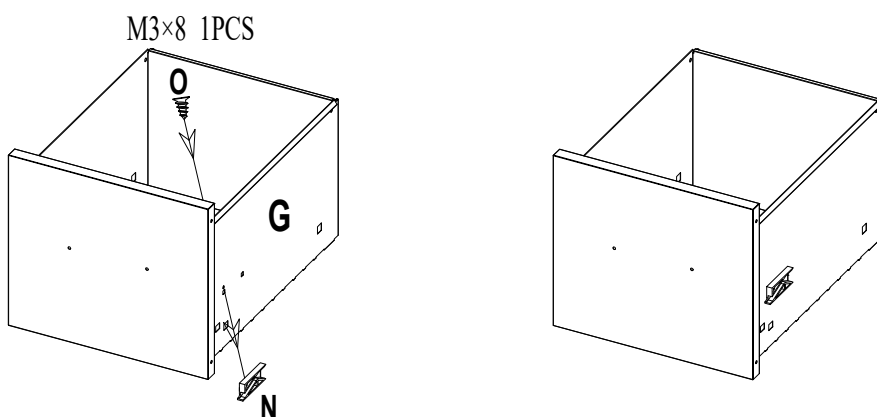


Need



Part H 3PCS

Step 13 Put part (N) on the right side of drawer, using screw (O) to fixed.



M3×8 1PCS

Need

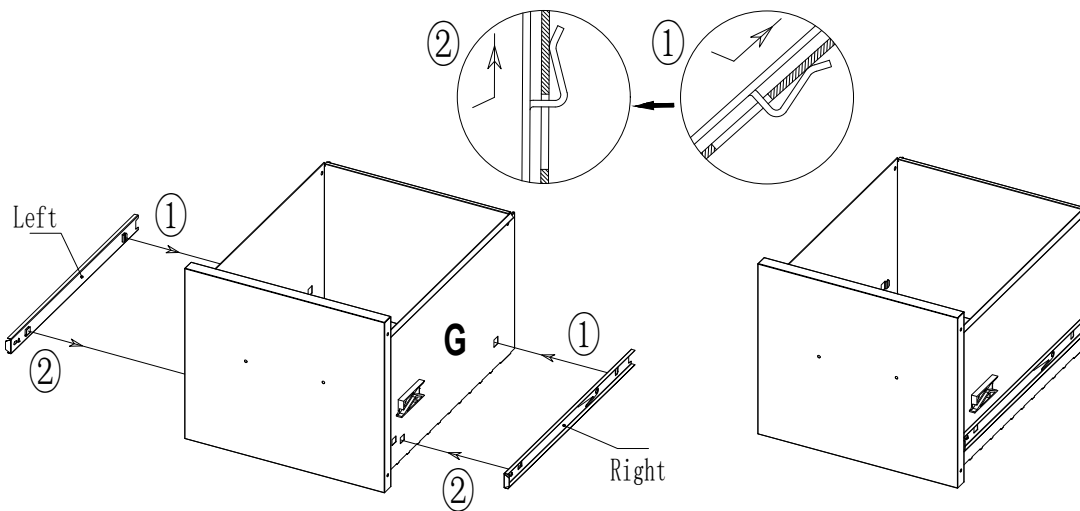


Part N 3PCS

Part O 3PCS

Step 14 Put inner rail on the both side of drawer.

Note: Pay attention to the left and right.

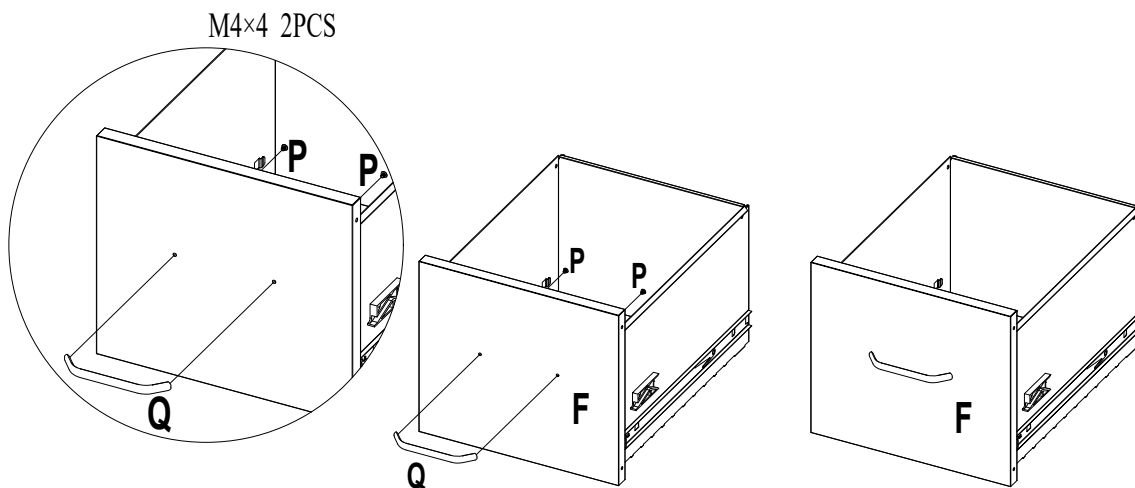


Need



Part T 3PCS

Step 15 Install handles (Q) using screws (P).

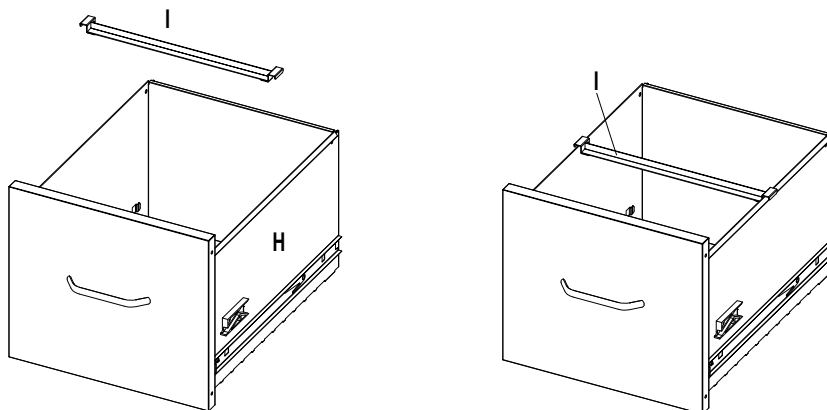


Need



Part P 6PCS
Part Q 3PCS

Step 16 Put the part (I) in each drawer.

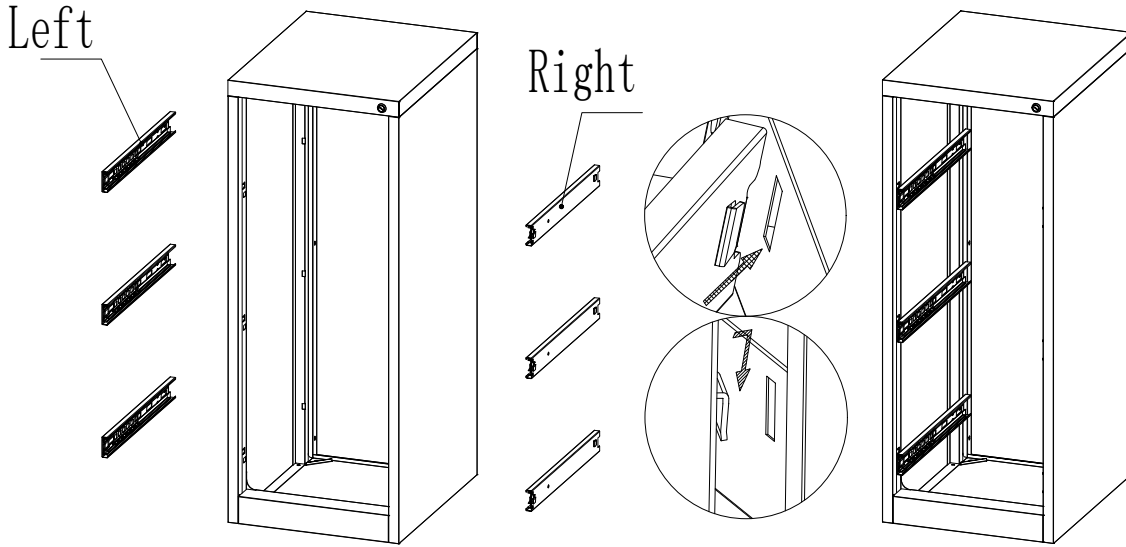


Need



Part I 3PCS

Step 17 Put the outer left rail on the left panel (B), outer right rail on the right panel(C).

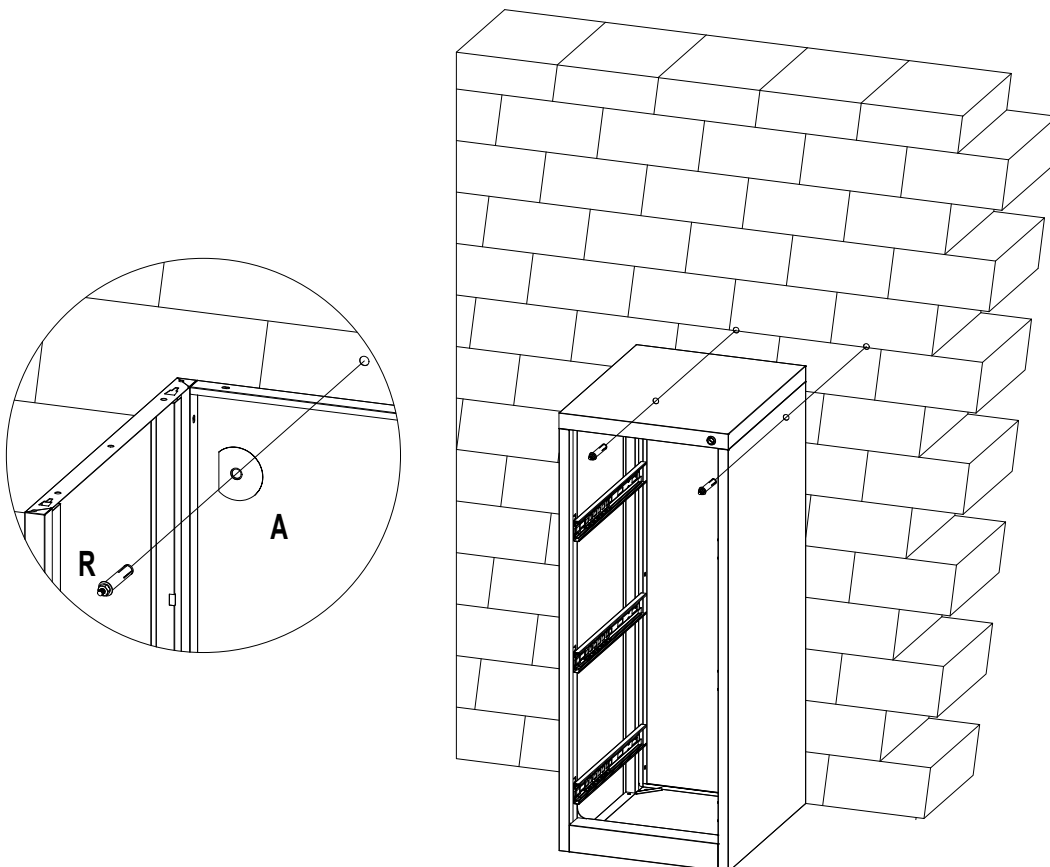


Need



Part T 3PCS

Step 18 Mounting the cabinet to the wall.



Need

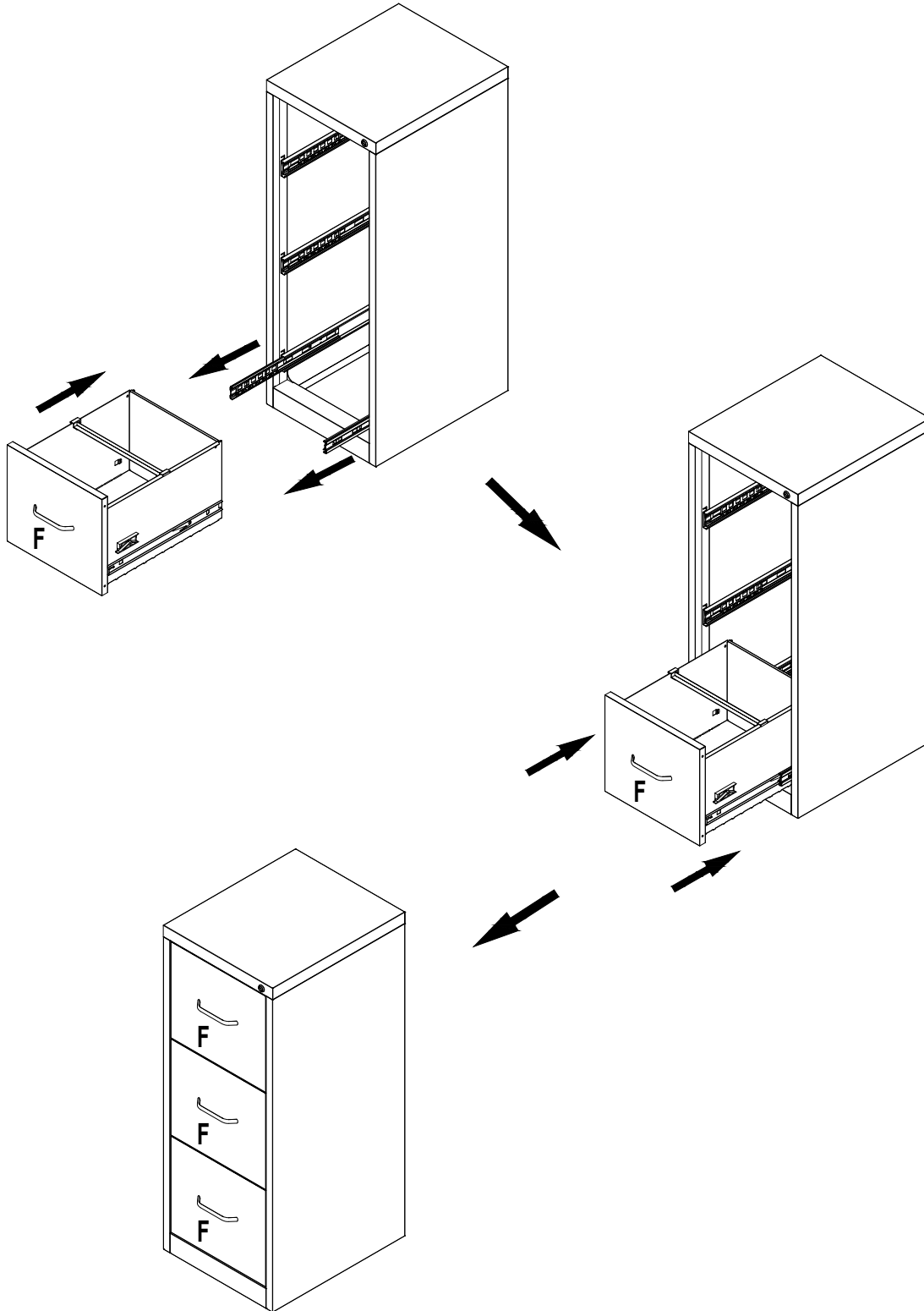


Part R 2PCS

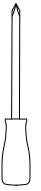
Step 19

Slide the drawers into the body frame.

1. Pull slide rail out of cabinet.
2. Put inner rail into outer rail, then push and pull test.



Need



Need



Need

