

To be installed by a certified electrician!

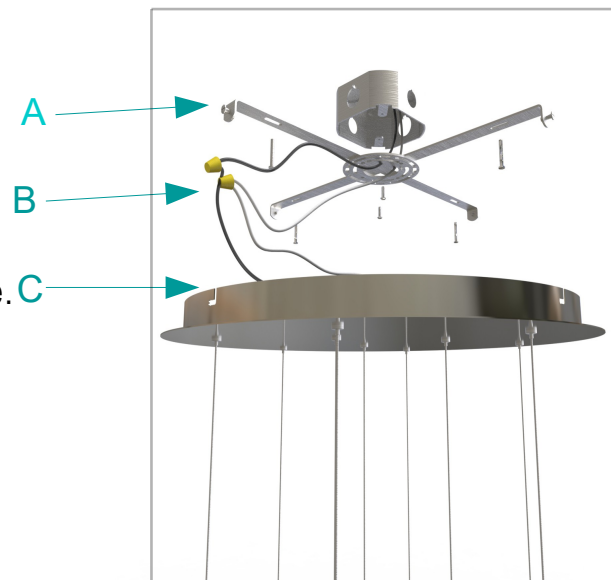
Ensure that the power is off.

- A Connect the mounting bracket to the junction box (required!). Add screws as needed.
- B Connect the wires.
- C Align the canopy with the screws push up and rotate.



- D Tighten all the screws.

NOTE: do not release the canopy until the screws have been tightened.



Pendant Installation

Do not attach pendants until canopy installation is completed.

- A Thread part A on to the wire.
- B Insert the LED bulb.
- C Thread part C onto part A.

Please note that the bulbs run in series, so they will only function with all LED bulbs correctly installed.

Turn on the light 💡

