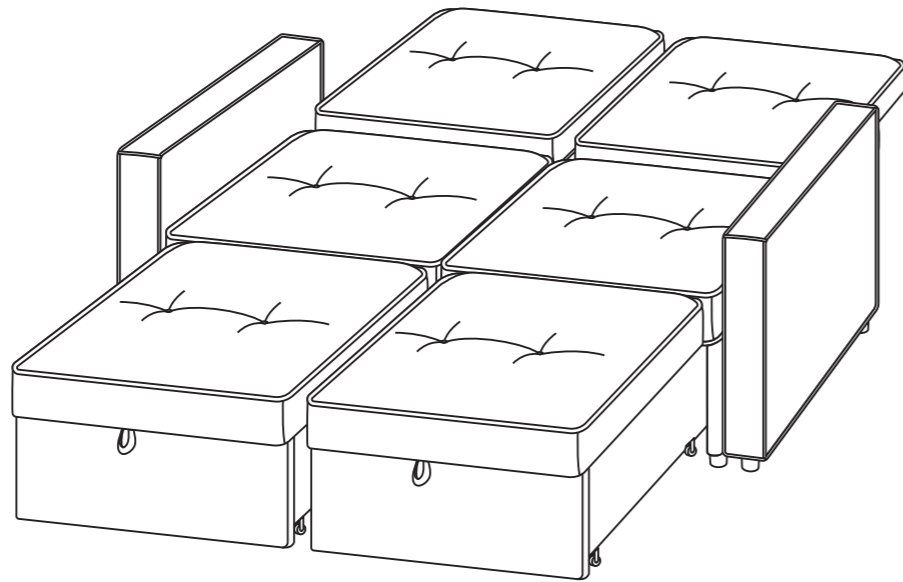
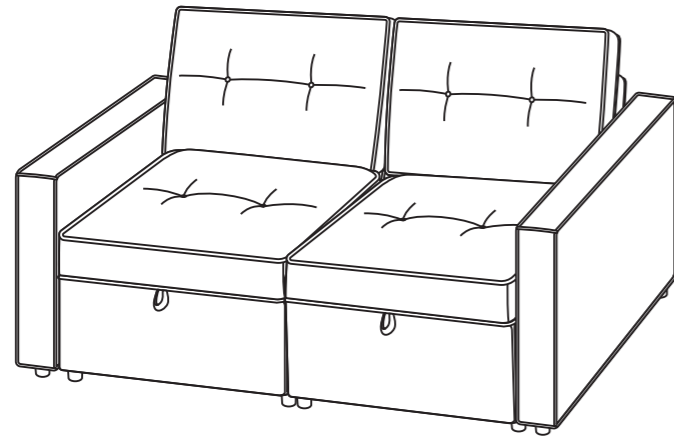


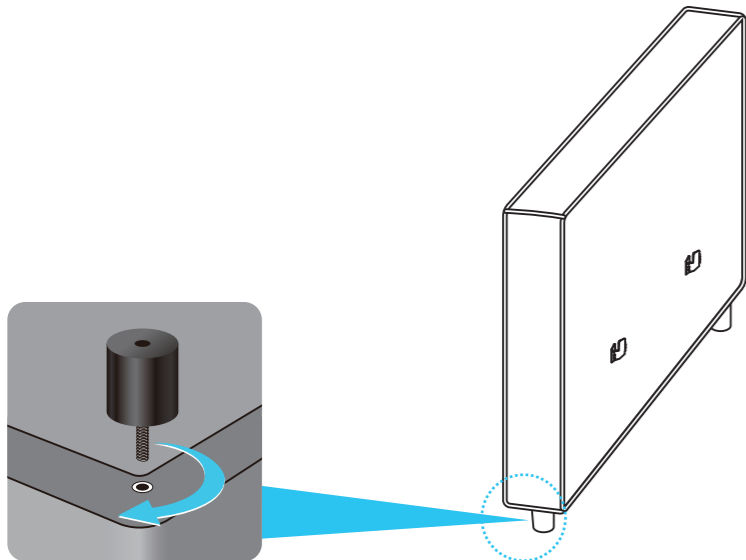
# ASSEMBLY INSTRUCTION

Cloud Couch modular sectional (L shape as example)



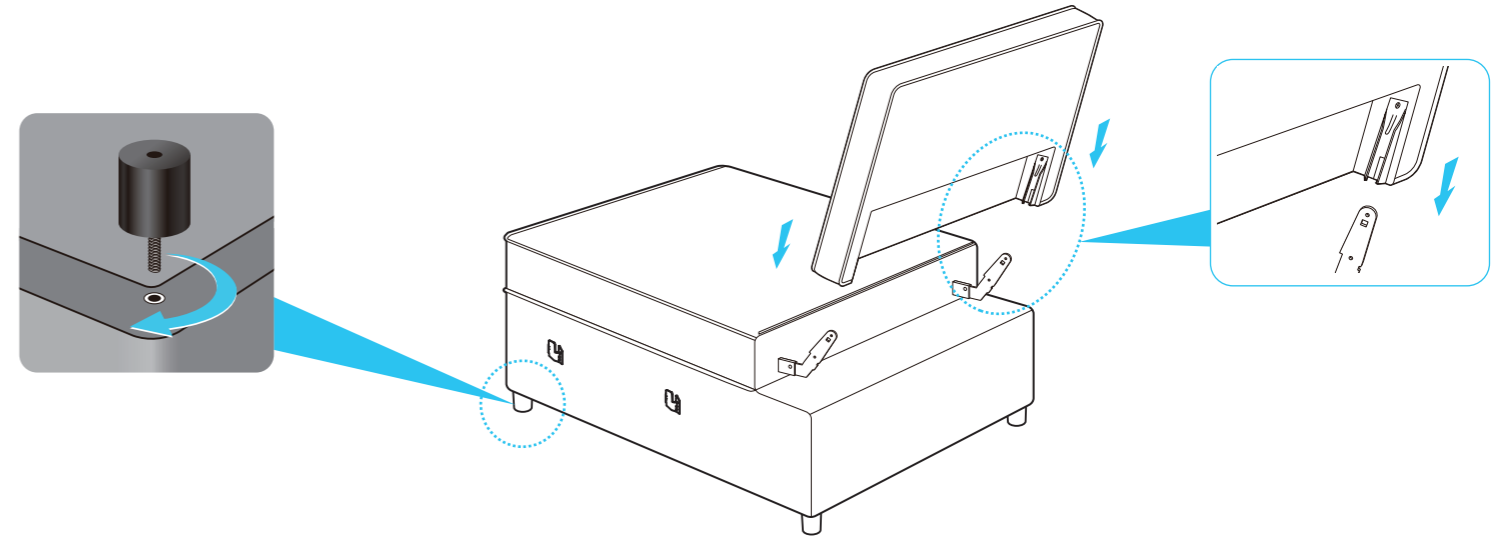
Left unit (Install legs to the bottom, slide armrests, backrest to the bottom seat, place sofa covers and cushions)

Step 1



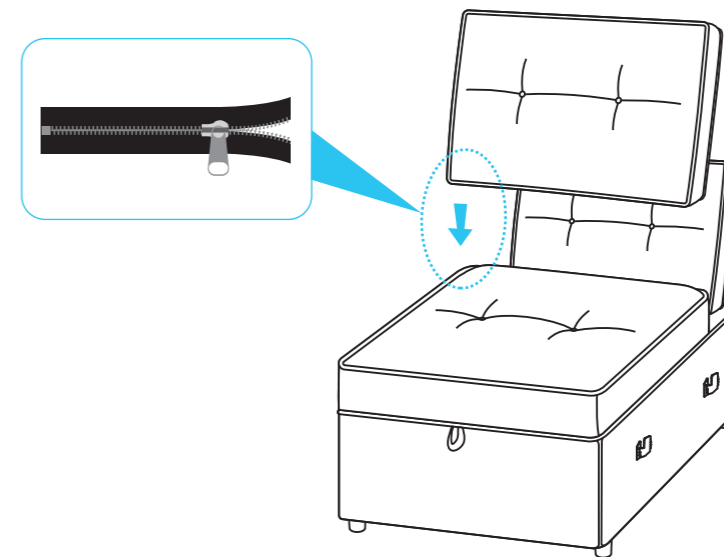
Intermediate unit (install the legs on the bottom of the base seat, cover the backrest on the base seat, place the slipcover and cushion)

Step 2



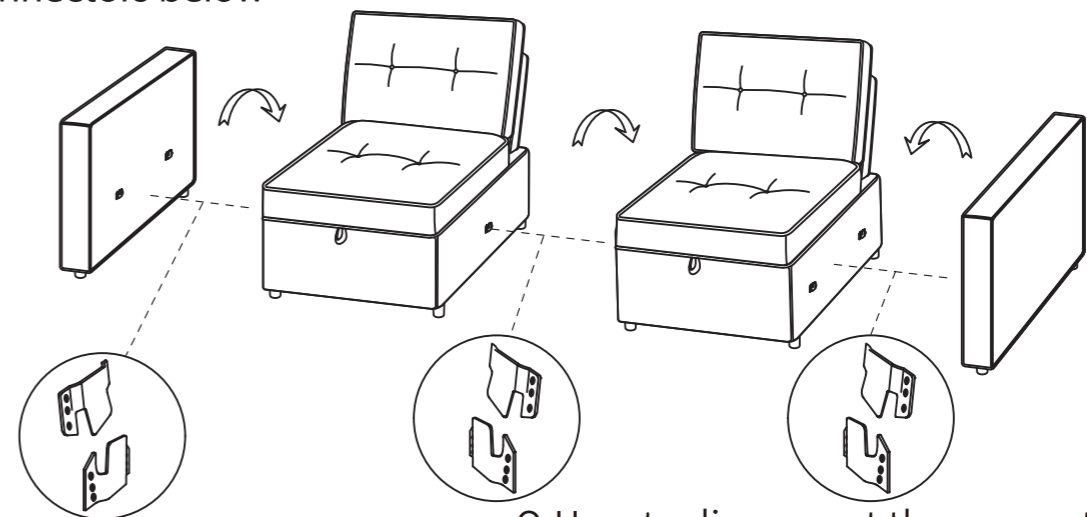
Right unit (Install legs to the bottom, slide armrests, backrest to the bottom seat, place sofa covers and cushions)

Step 3



Attach the legs to the bottom first, then connect the 3 seats with the connectors below

Step 4



Q: How to disconnect the connector underneath?

A: Lift the sofa module up to unlock it. ↑