

INSTRUCTION MANUAL

10FT x 20FT Gazebo

IF YOU PURCHASED THE PRODUCT ONLINE AND HAVE ANY

QUESTIONS OR CONCERNS PLEASE

CONTACT US WITH EMAIL OR TEXT

EMAIL: yardsightfurniture@outlook.com

TEXT: +1 323-400-0363

Thank you for your purchase of Gazebo and follow this assembly and operation guide.

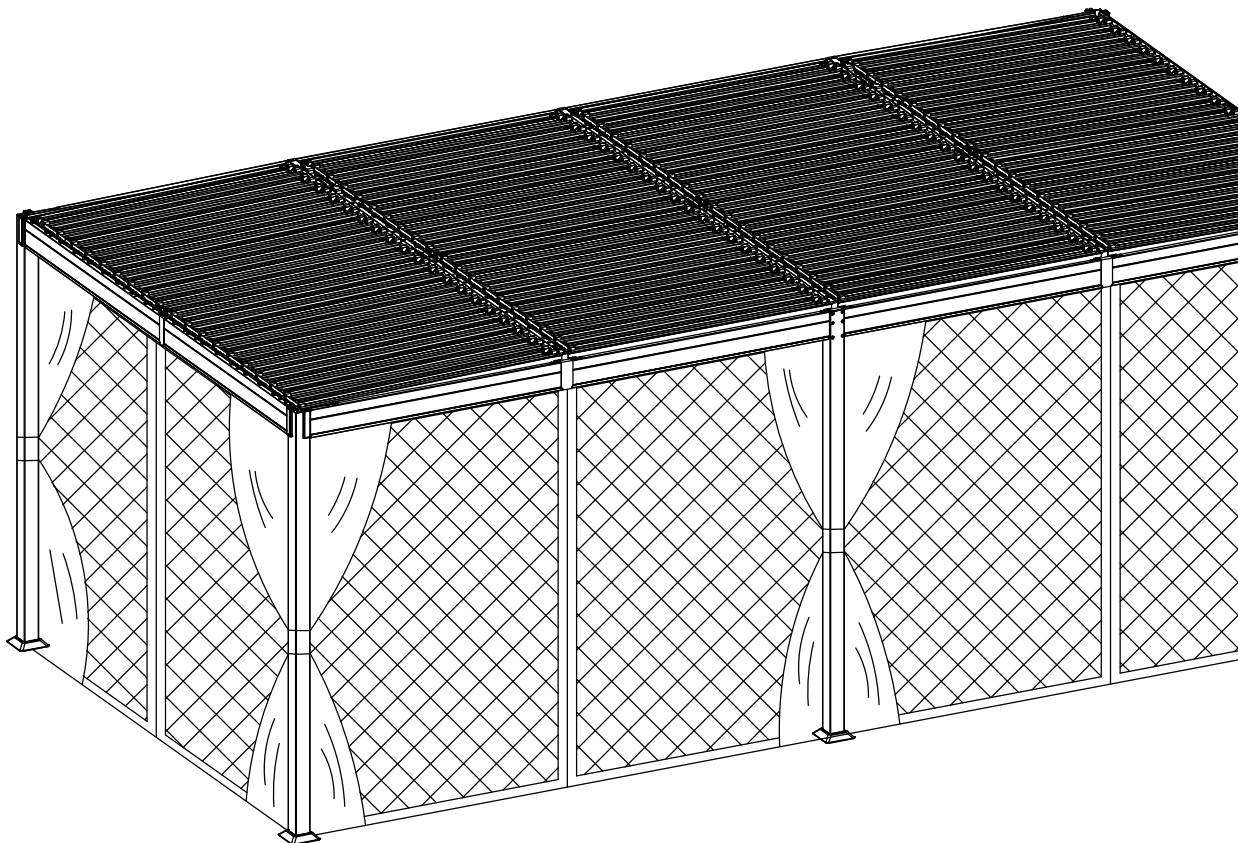
To reduce personal injury and damage to your gazebo, please attach your gazebo curtain to the post when it is incoming over **20 mph** wind.

We recommend a **five-person team** for assembly and disassembly.

If you like our products,
please follow more.

Care and Cleaning

- Wash frame parts and fabric with mild soap and water, rinse thoroughly.
- Dry the frame completely and allow the fabric to drip dry.
- Do not use bleach, acid, or other solvents on the fabric or frame parts.
- Please inspect and tighten all bolts or fasteners on a regular basis to ensure the proper performance and safety of your gazebo.



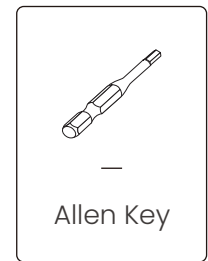
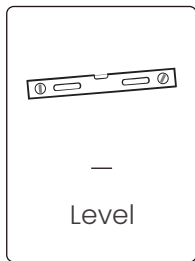
Warnings and Cautions

- Please retain this instruction for future usage and read carefully before assembly.
- Make sure you have all the parts & hardware as the item list shows.
- 5 adults or more are recommended to install your gazebo.
- Do not discard any of the packaging until you have checked that you have all the parts and pack of fittings.
- Check all bolts for tightness before use, and periodically check and tighten bolts to ensure your gazebo works properly.
- Some parts might have sharp edges/corners. Please follow basic safety precautions to reduce the risk of hurt.
- It is essential to place the gazebo on level ground and not less than 6 feet from any obstruction such as fences, garages, the house, overhanging branches, laundry lines, or electrical wires.
- Lastly, be careful the parts are not swallowed by pets and kids.

Pre-assembly

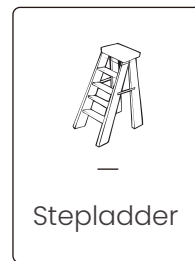
TOOLS THAT MAY BE REQUIRED (NOT included in the boxes)

*NOTE: Tools / equipment are not shown to actual size and scale



EQUIPMENT REQUIRED (NOT included in the boxes)

*NOTE: Equipment are not shown to actual size and scale



Matters needing attention



Five or more people are required for assembly.



Do not fully tighten screws prior to complete assembly.

Warranty

One Year Warranty

Frames

Frames constructions are warranted to be free from defects in material and workmanship for 1 year from item purchased. Damage to frame from negligence won't be covered by this warranty.

Bolts & nuts

Bolts and nuts are warranted to be free from defects in material and workmanship for 1 year from item purchased. Damage from exposure to chemicals (including not only oils, spills, fluids) won't be covered by this warranty.

Curtains & Netting

Curtains and netting are warranted to be free from defects in material and workmanship for 1 year from item purchased. Damage from exposure to chemicals (including but not only oils, spills, fluids) won't be covered by this warranty.

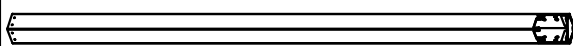
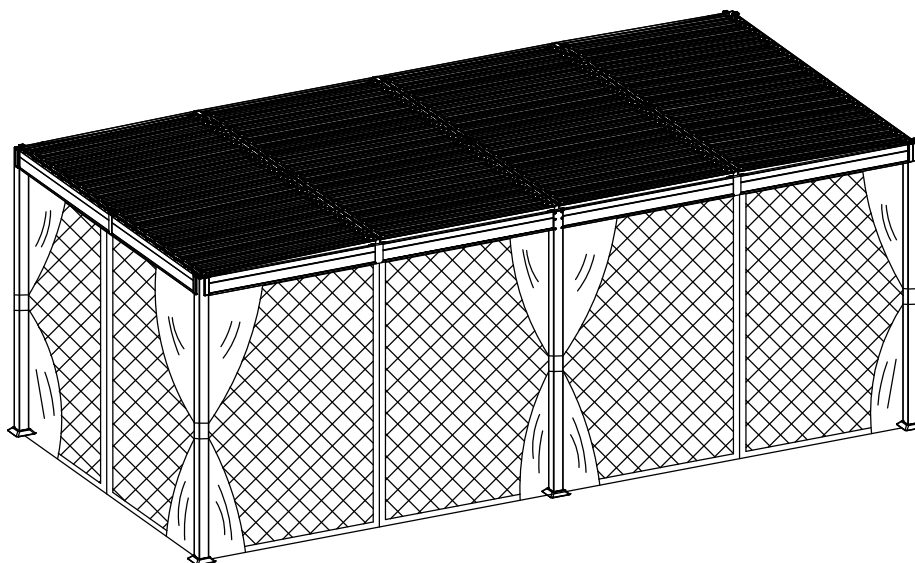
Warranty Limitation

This warranty is for the original purchase order only. (Order number required). This warranty is non-transferable.

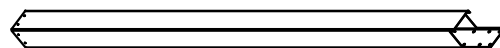
Box A		Box E		N6	2
Part #	Qty	Part #	Qty	N7	4
BL	1	S3	3	D1	6
B13	1	D5	3	D2	6
B10	2	S4	1	C4	8
B11	2	D6	1	C5	152
B12	2	S5	2	R1	2
		D7	2	L1	2
		K1	2	N3	2
Box B		K2	2	N4	2
Part #	Qty	K5	4	J2	2
A2	2	K6	4	J4	4
A3	2			J6	3
R	48			M	144
L	48	Box F		Q1	20
W	1	Part #	Qty	Q2	34
H	8	F	20	V1	4
H1	6	T	2		
H2	6	U5	1		
A4	2	U6	1	Box H	
J5	2			Part #	Qty
				A2	2
		Box G		L	24
Box C		Part #	Qty	R	24
Part #	Qty	B1	1	X1	8
F	28	B3	1	X3	8
		B9	2	E1	3
		G1	8	E3	3
Box D		G2	8	C9	4
Part #	Qty	L	4	1.2.3.4.5.6.7.8.9	
F	28	R	4	10.11.12.13.14.15	
		N5	2	16.17.18.19.20.21	
				22.23.24.25.26.27	
				1	

Attention:

1. Please do not fully tighten all the screws prior to complete assembly.
2. Please check the manual carefully and make sure you have received all the parts.
3. If there is any missing, please let us know the parts with the part number you need.
4. If there is any damage, please send clear photos to us, we will check and offer you best solution soon.



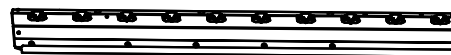
(A2) 4x



(A3) 2x



(B1) 1x



(BL) 1x



(B3) 1x



(B13) 1x



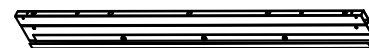
(B9) 2x



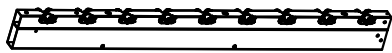
(B10) 2x



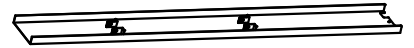
(B11) 2x



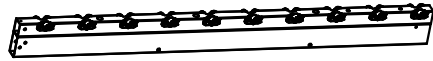
(B12) 2x



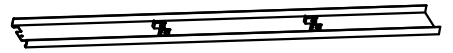
(S3) 3x



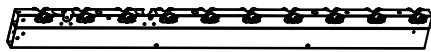
(D5) 3x



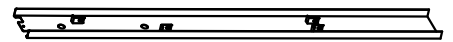
(S4) 1x



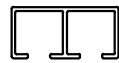
(D6) 1x



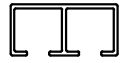
(S5) 2x



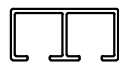
(D7) 2x



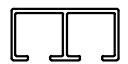
(K1) 2x



(K2) 2x



(K5) 4x



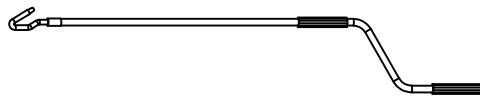
(K6) 4x



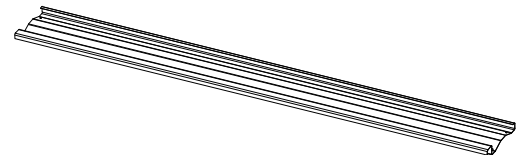
(G1) 8x



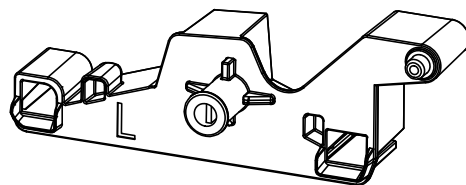
(G2) 8x



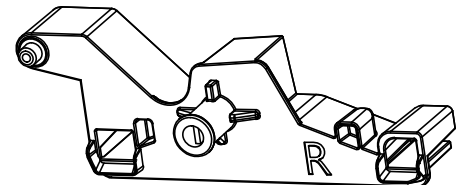
(T) 2x




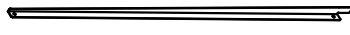


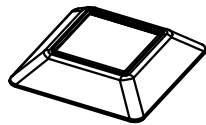
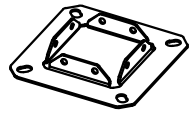
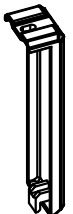

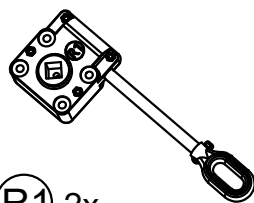
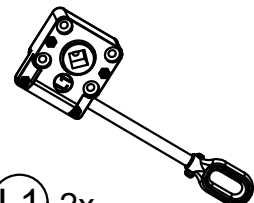
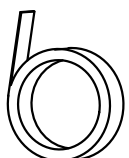


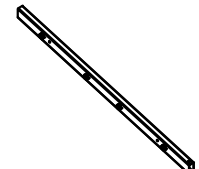
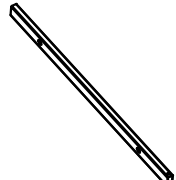
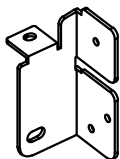
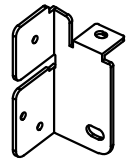
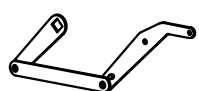
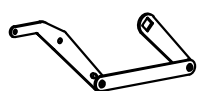
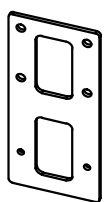
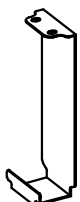
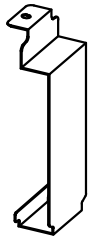
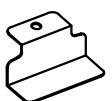
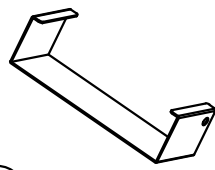


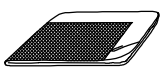


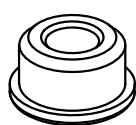
(F) 76x

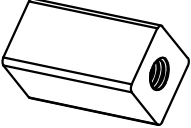

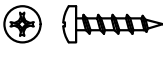





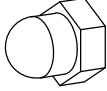
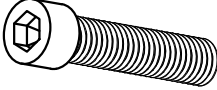
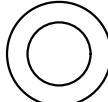

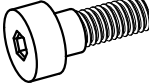
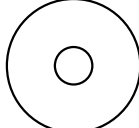

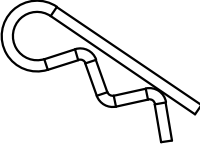



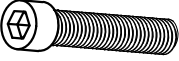
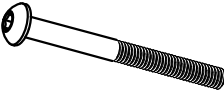

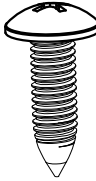
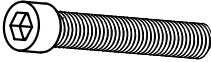


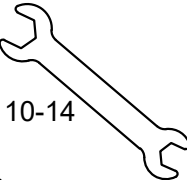



(L) 76x



(R) 76x

 N5 2x	 N6 2x	 N7 4x	
 H 8x	 D1 6x	 D2 6x	 C4 8x
 C5 152x	 R1 2x	 L1 2x	 W 1x
 X1 8x	 X3 8x	 E1 3x	 E2 3x
 H1 6x	 H2 6x	 N3 2x	 N4 2x
 A4 2x	 J2 2x	 J4 4x	 J5 2x
 J6 3x	 M 144x	 U5 1x	 U6 1x
 Q1 20x	 Q2 34x	 V1 4x	

 C9 4x	 M5x15 1 420x	 M4x20 2 304x	 M4x12 3 152x
 M6x15 stainless screw 4 8x	 M6x45 5 8x	 M5x24 6 4x	 M6x10 7 80x
 M6x12 8 8x	 M8x25 9 48x	 φ8.5*φ14*1 10 48x	 M5x10 11 4x
 12 4x	 φ5*φ18*1 13 4x	 14 4x	 15 4x
 16 4x	 M3x12 17 36x	 M6x10 18 24x	 M8x45 19 32x
 M6x65 20 22x	 21 12x	 M6x20 22 4x	 M8x50 23 12x
 3mm 24 1x	 4mm 25 1x	 10-14 26 1x	 6mm 27 1x

<1>

Plastic plugs and screws are protective materials.
Remove them before assembly.



A2 4x



D1 4x

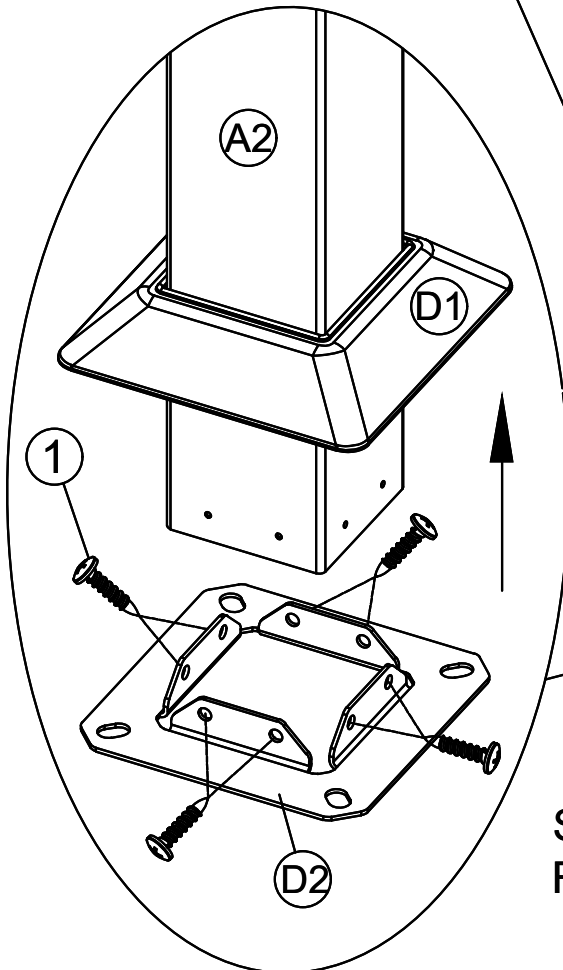
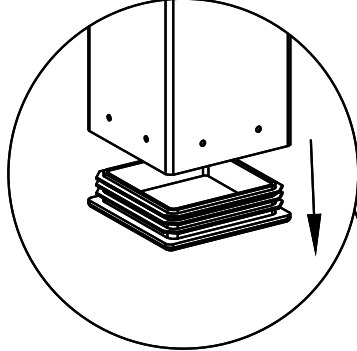
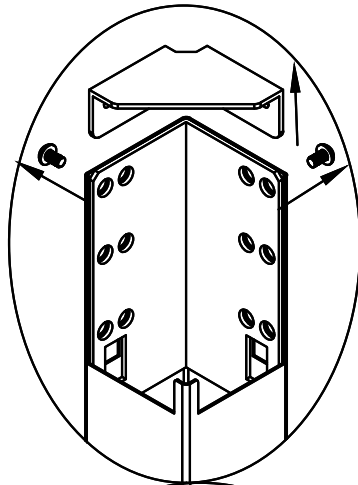


D2 4x

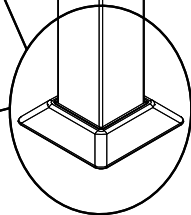
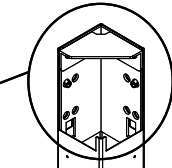


M5x15

1 32x



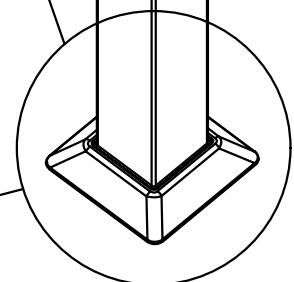
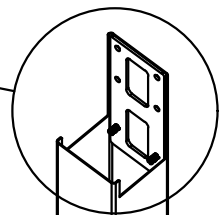
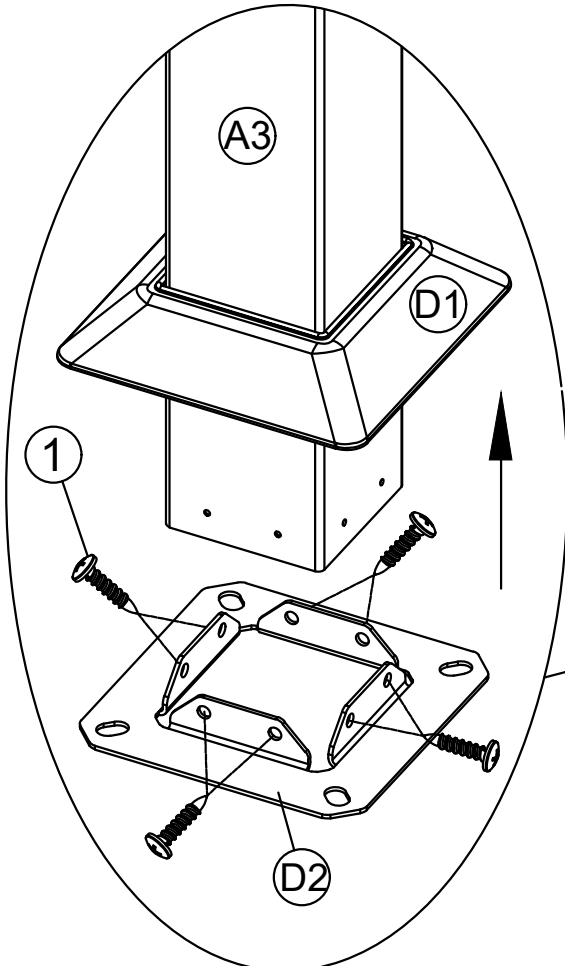
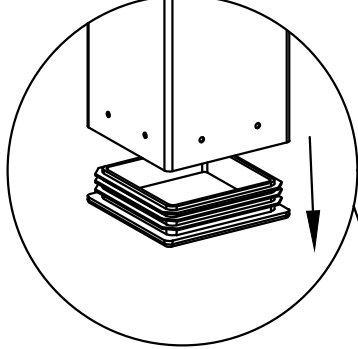
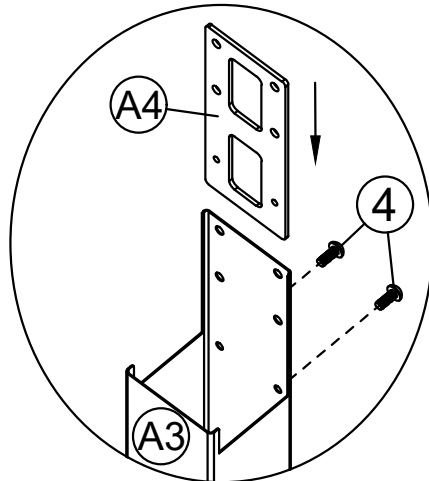
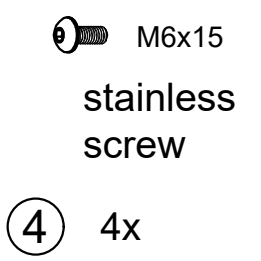
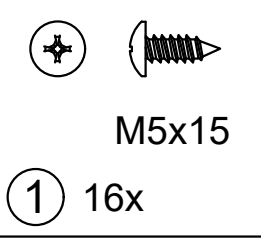
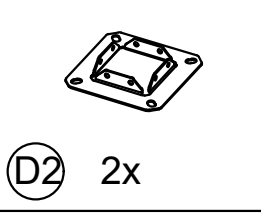
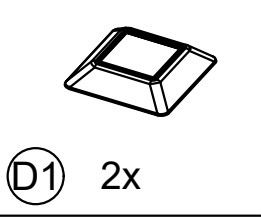
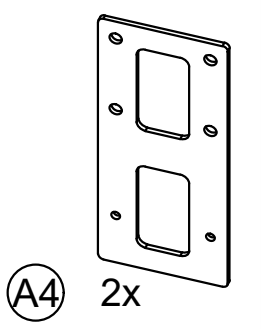
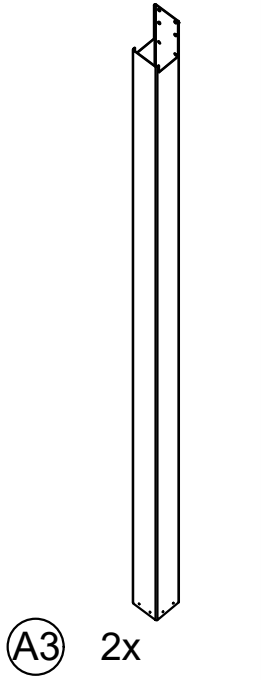
A2



Secure D2 to A2.
Repeat this step four times.

<2>

Plastic plugs and screws are protective materials. Remove them before assembly.

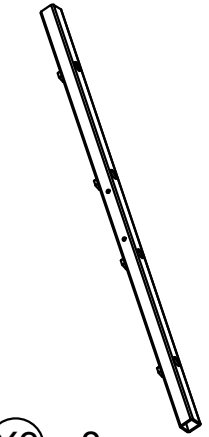


Repeat this step twice.

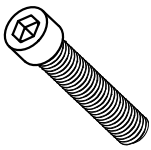
<3>

Please pay attention to the direction. If the installation is incorrect as shown in the picture, it will be impossible to install later.

(X1) 8x

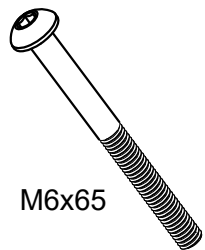


(X3) 8x



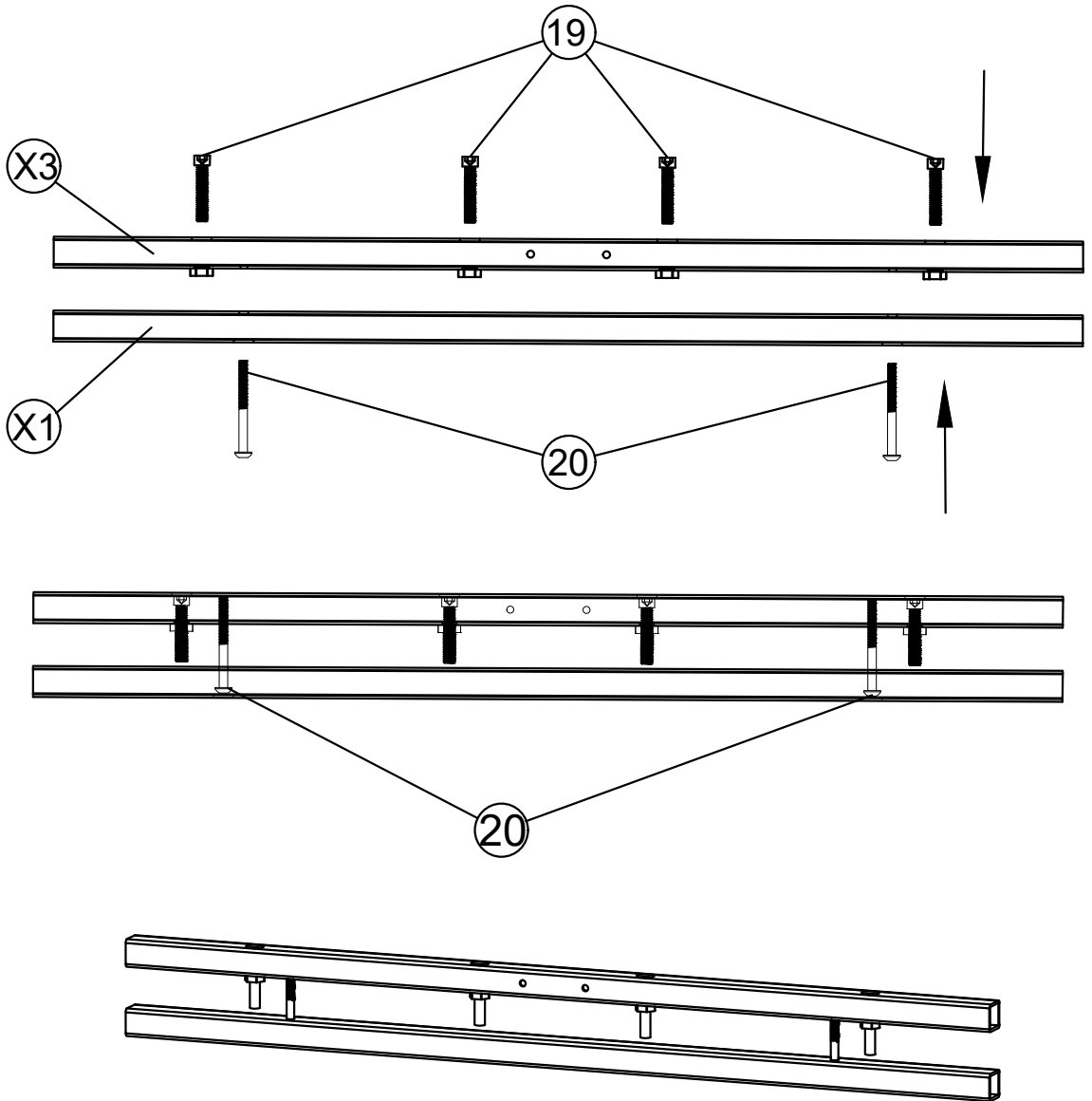
M8x45

(19) 32x



M6x65

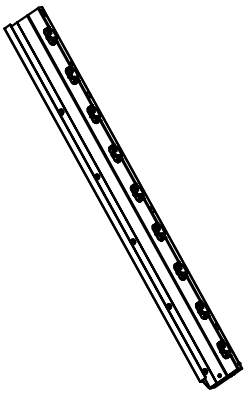
(20) 16x



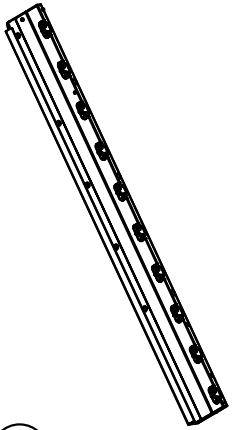
After assembly, the component is numbered AB for easy identification of the next operation.

Repeat component AB eight times.

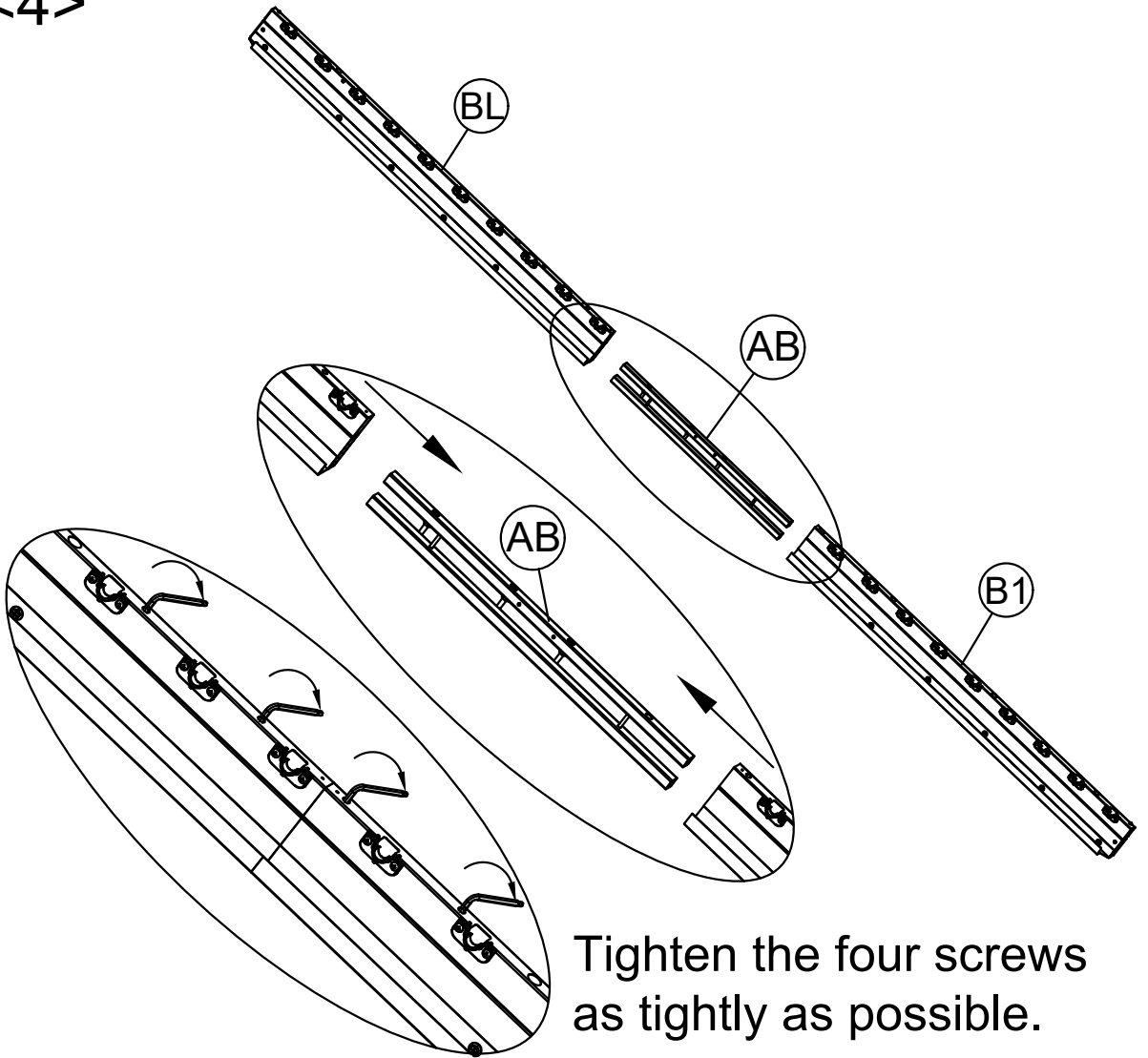
<4>



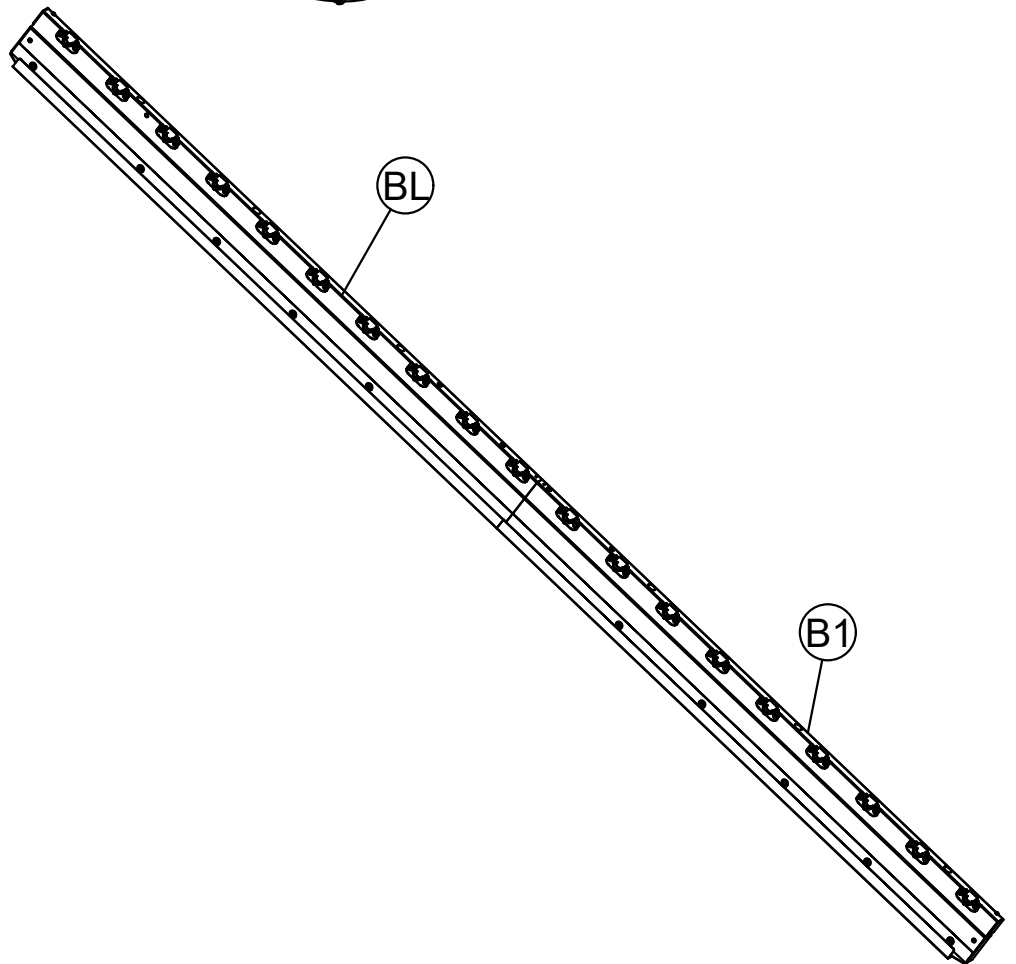
(B1) 1x



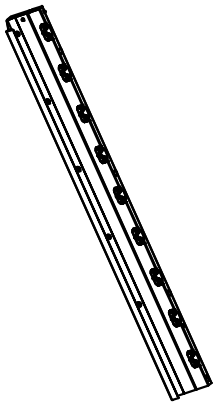
(BL) 1x



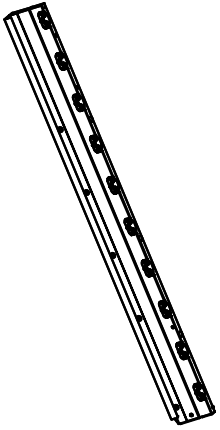
Tighten the four screws as tightly as possible.



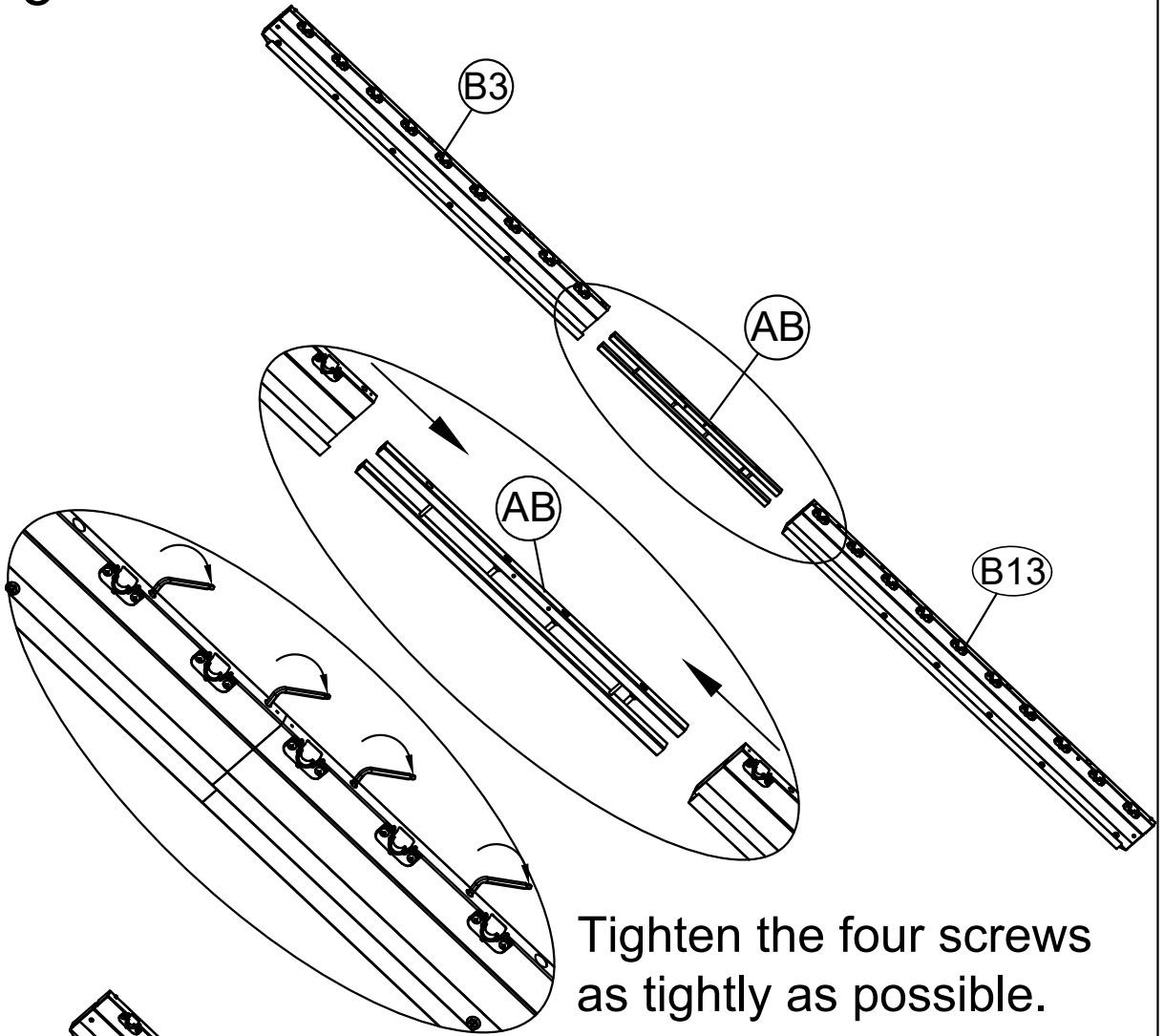
<5>



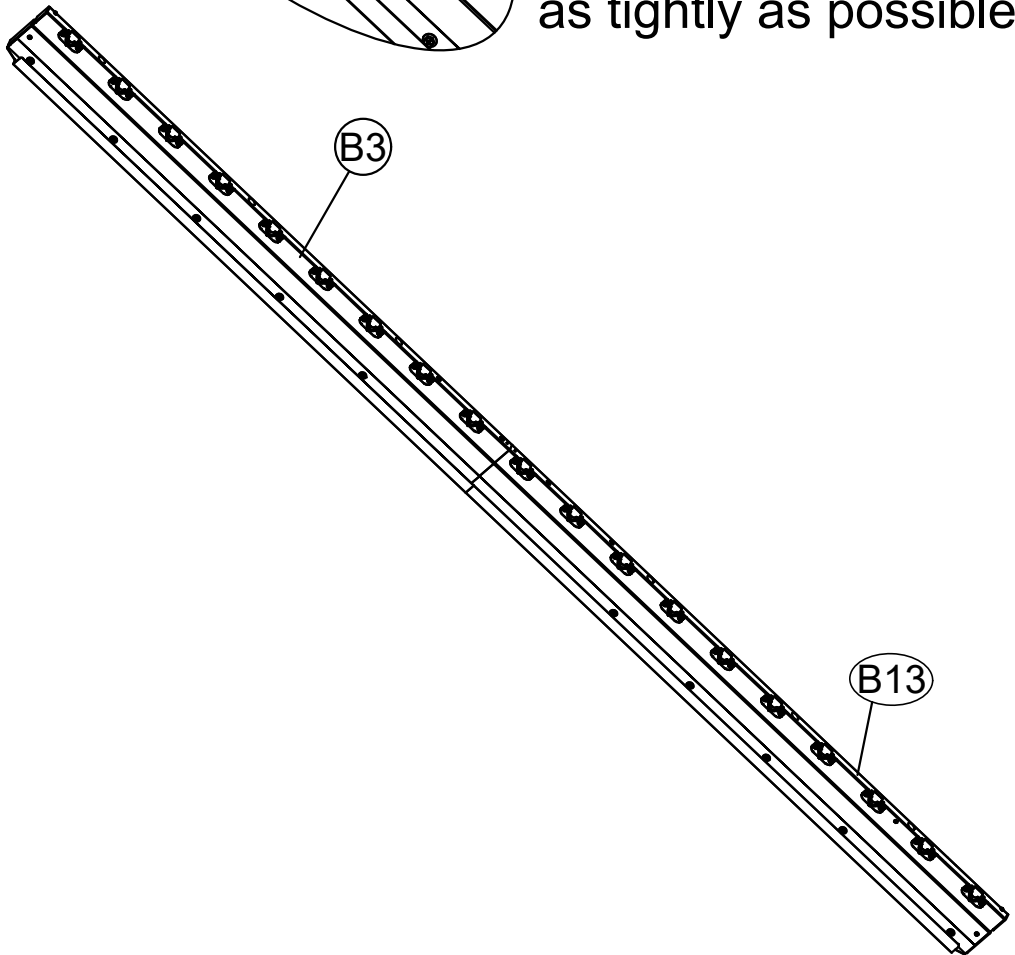
B3 1x



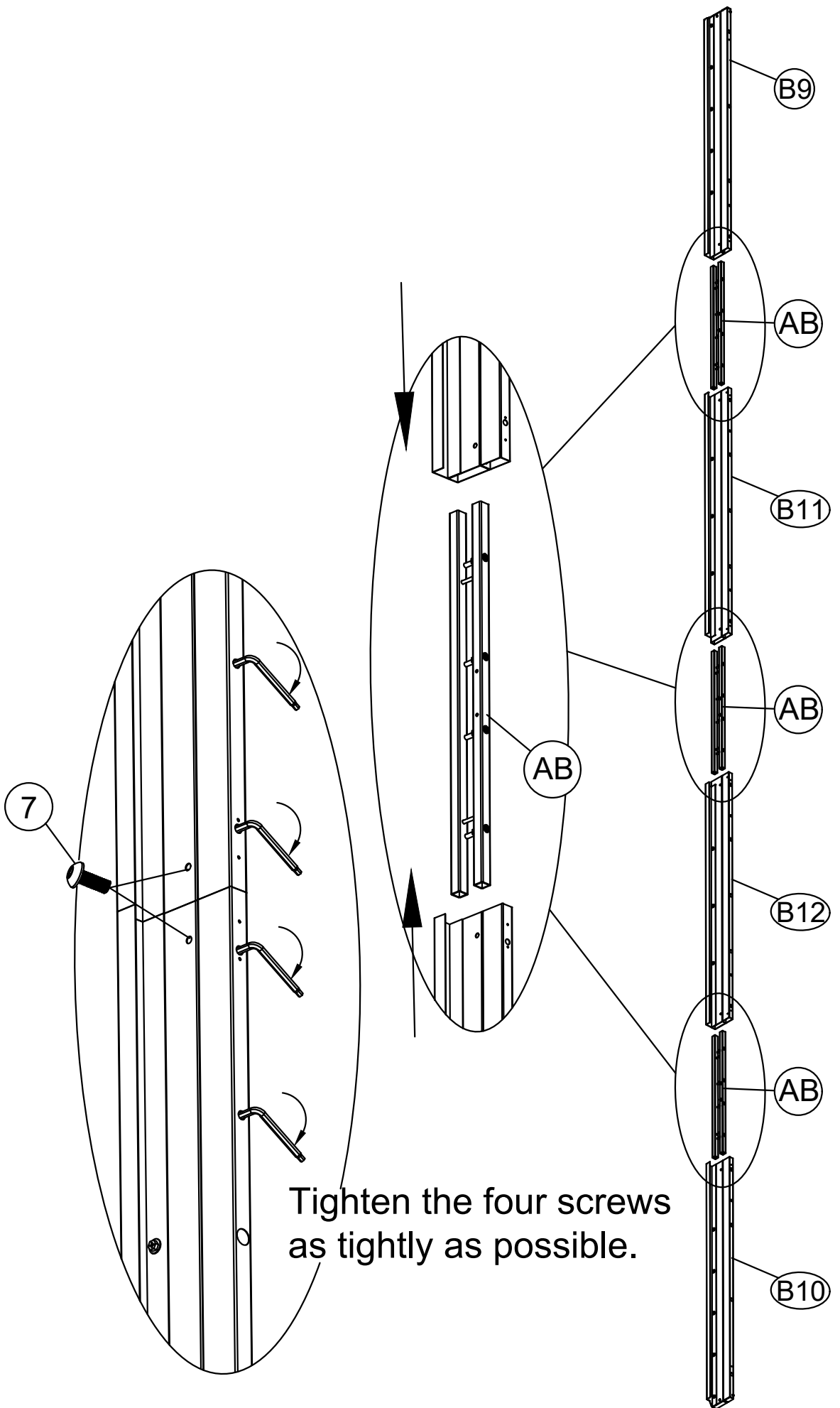
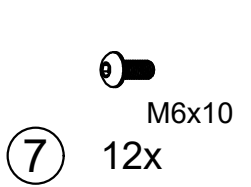
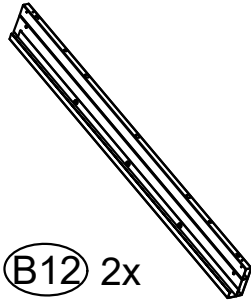
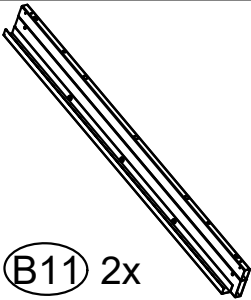
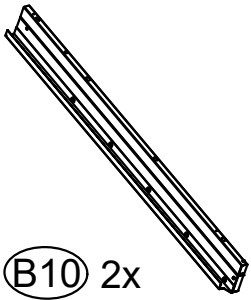
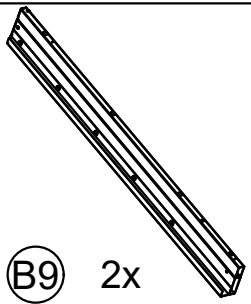
B13 1x



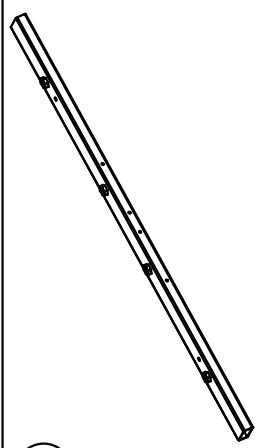
Tighten the four screws as tightly as possible.



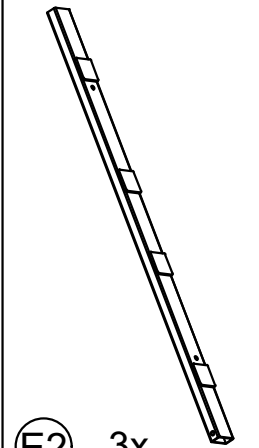
<6>



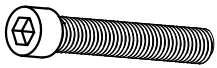
Repeat this step twice.



(E1) 3x

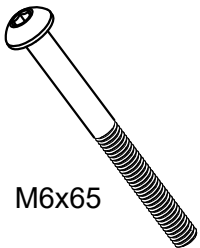


(E2) 3x



M8x50

(23) 12x

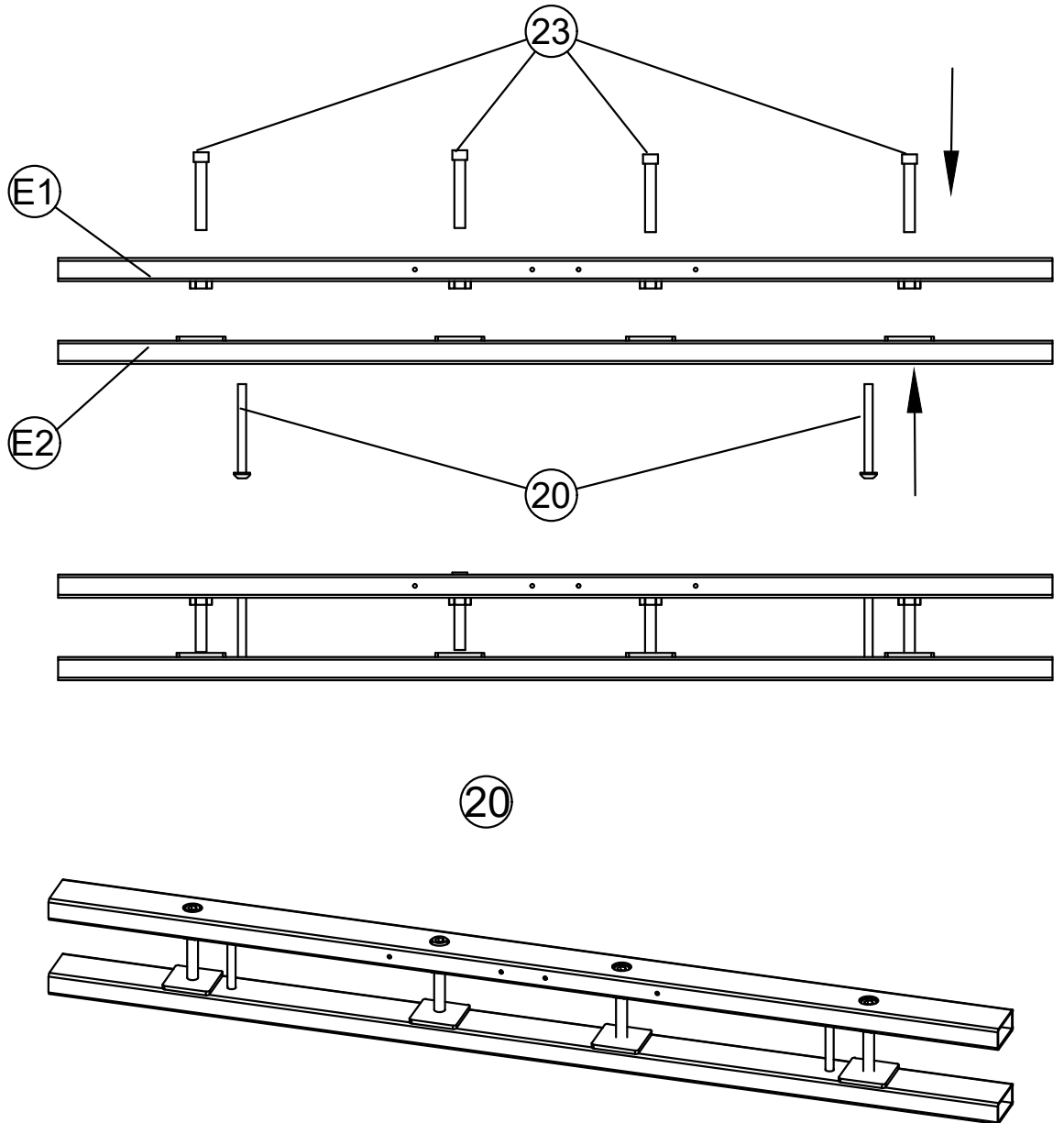


M6x65

(20) 6x

<7>

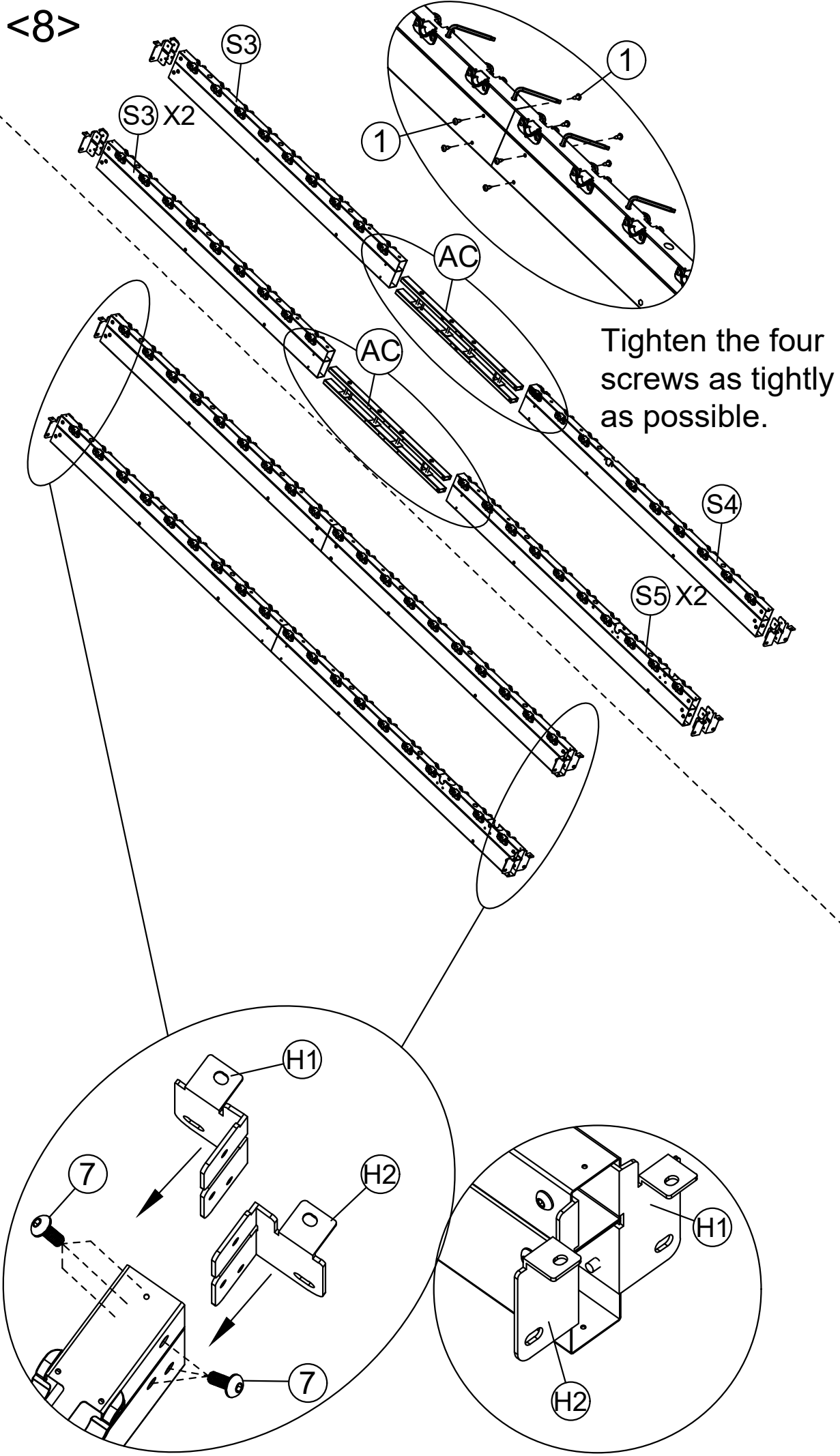
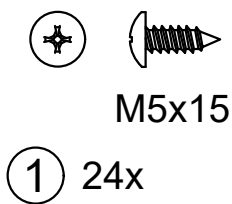
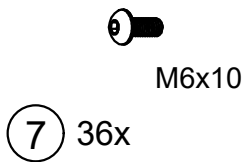
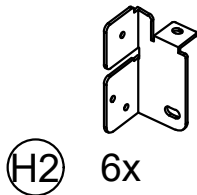
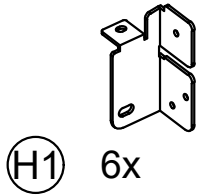
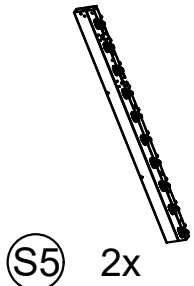
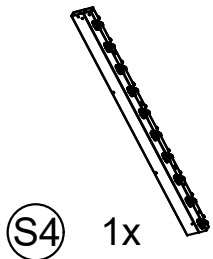
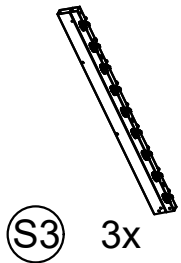
Please pay attention to the direction. If the installation is incorrect as shown in the picture, it will be impossible to install later.



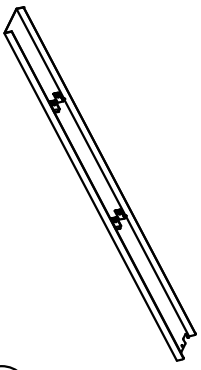
After assembly, the component is numbered AC for easy identification of the next operation.

Repeat component AC three times.

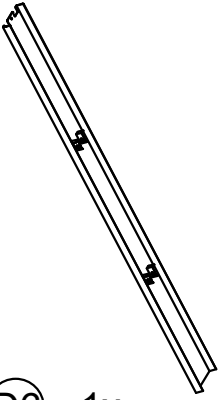
<8>



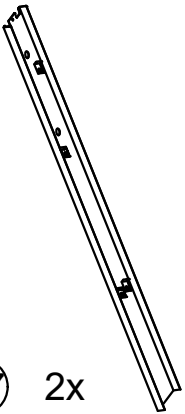
<9>



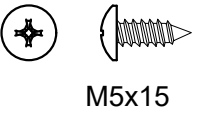
D5 3x



D6 1x

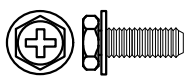


D7 2x



M5x15

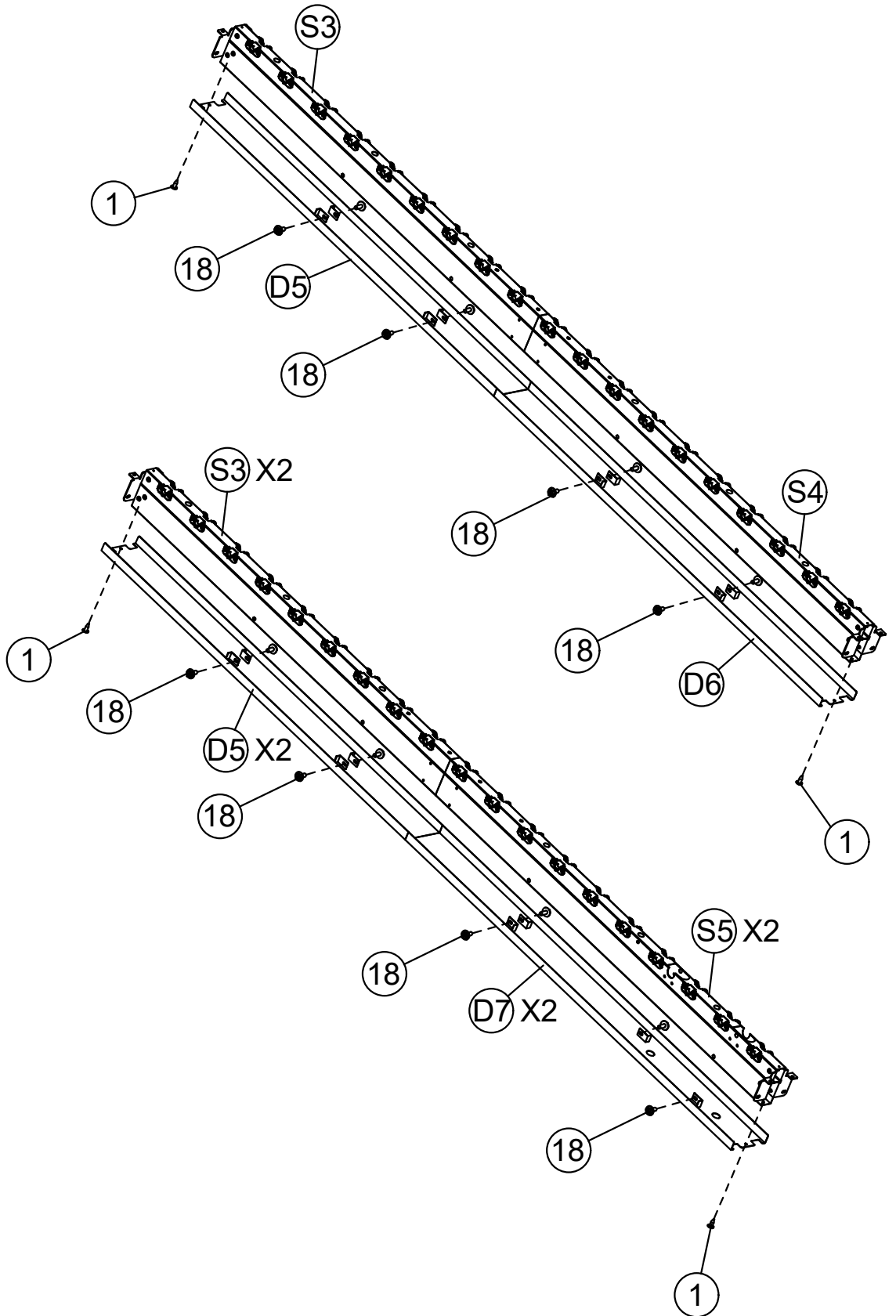
1 6x



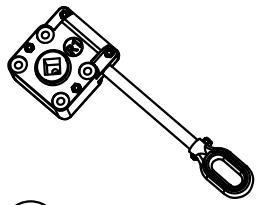
M6x10

18 24x

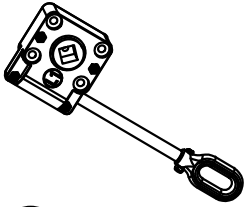
20



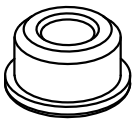
<10>



(R1) 2x



(L1) 2x

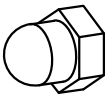


(V1) 4x



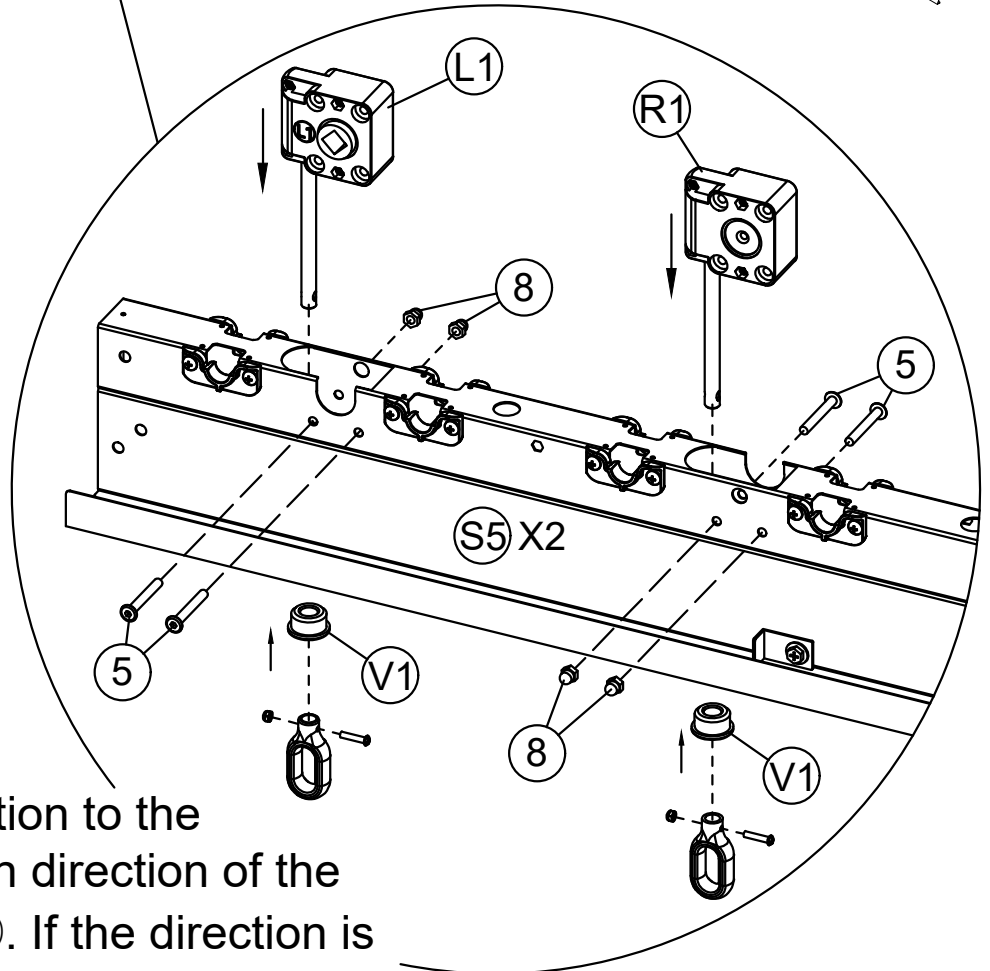
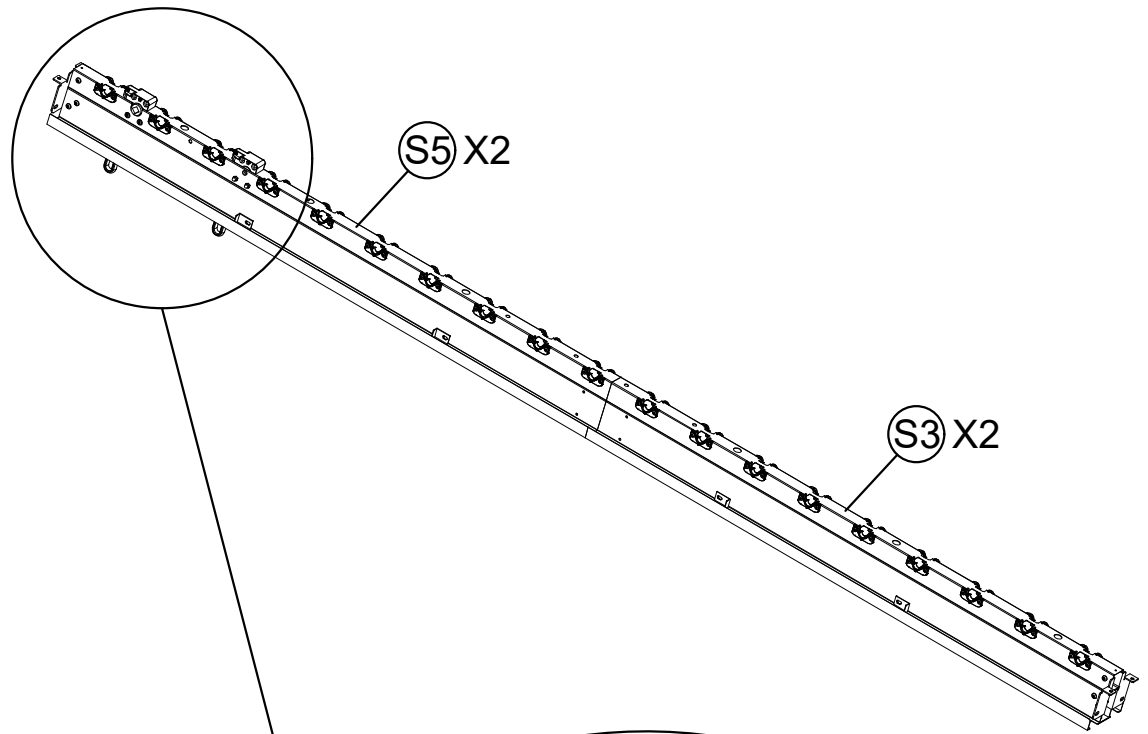
M6x45

(5) 8x



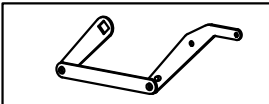
M6x12

(8) 8x

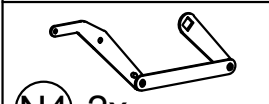


Pay attention to the installation direction of the screws (5). If the direction is incorrect, the following installation will not be possible.

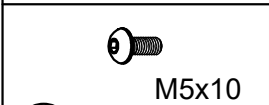
Repeat this step twice.



N3 2x



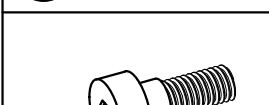
N4 2x



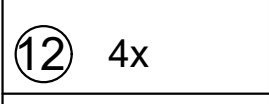
11 4x
M5x10



6 4x
M5x24



12 4x



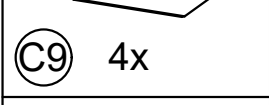
13 4x



C9 4x



N3 2x



N4 2x



11 4x
M5x10



6 4x
M5x24

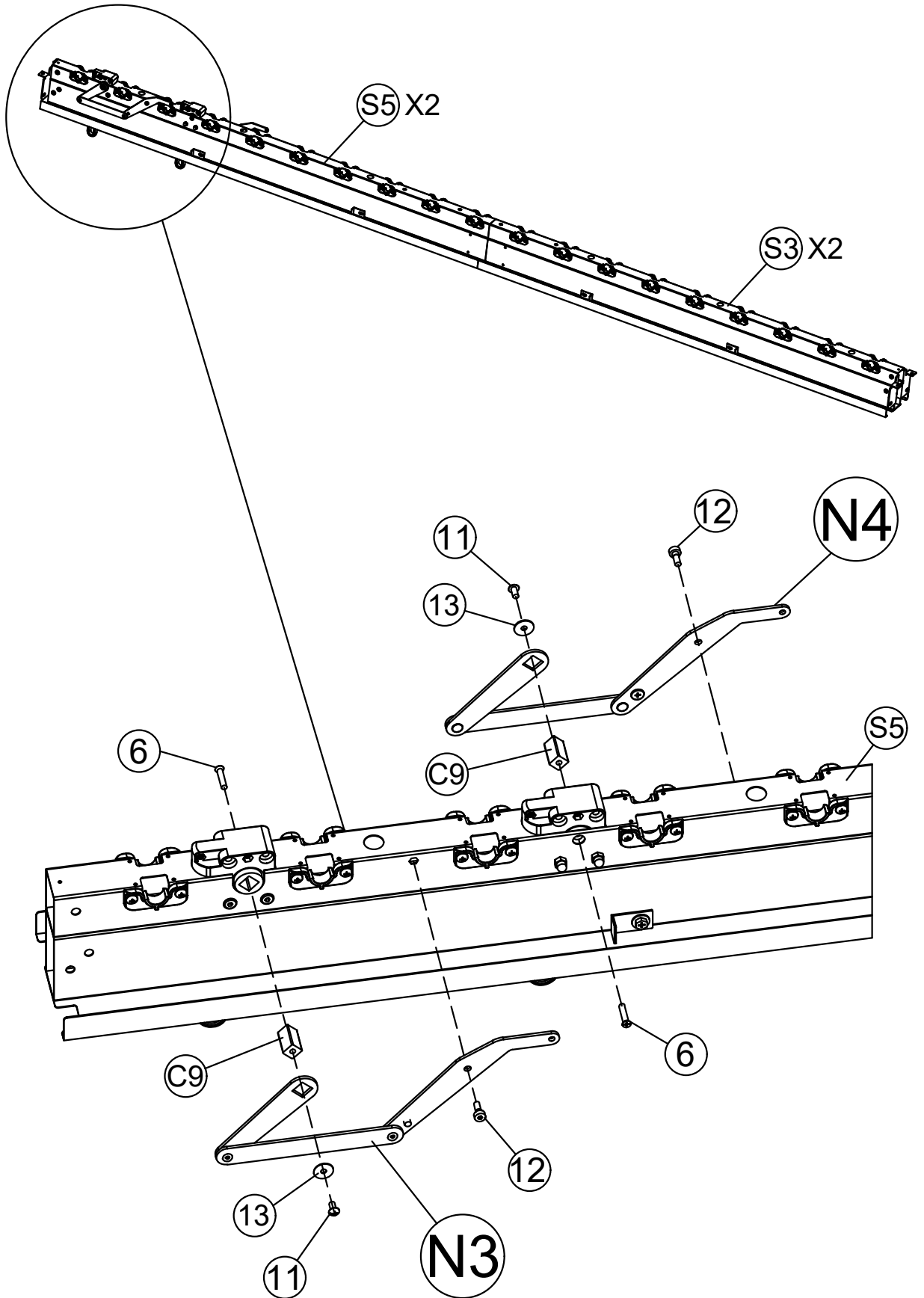


12 4x



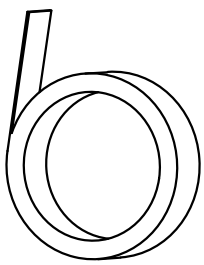
13 4x

<11>



Pay attention to N3 and N4. If the installation positions are installed incorrectly, subsequent installation will not be possible.

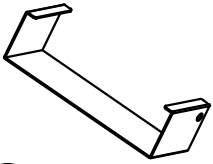
Repeat this step twice.



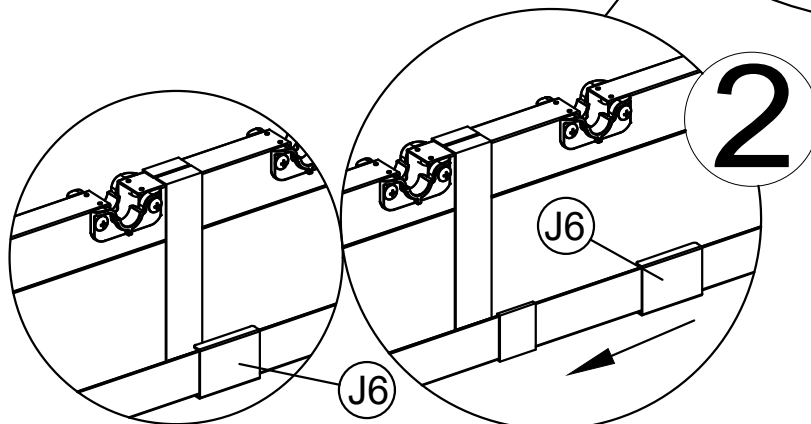
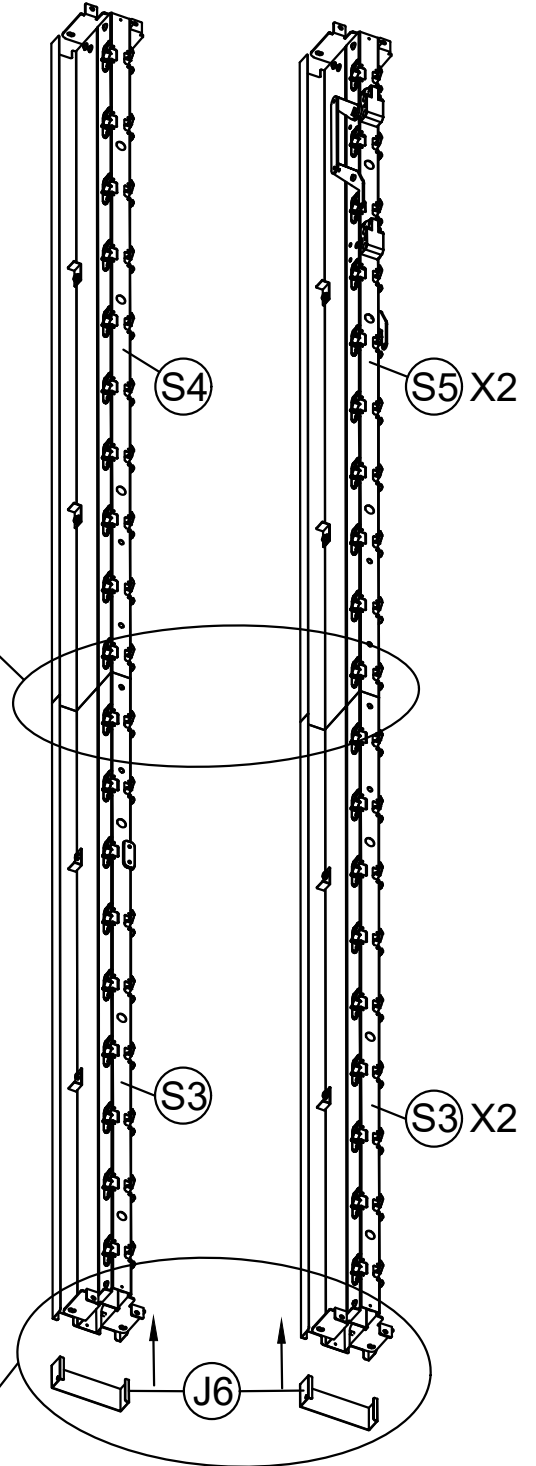
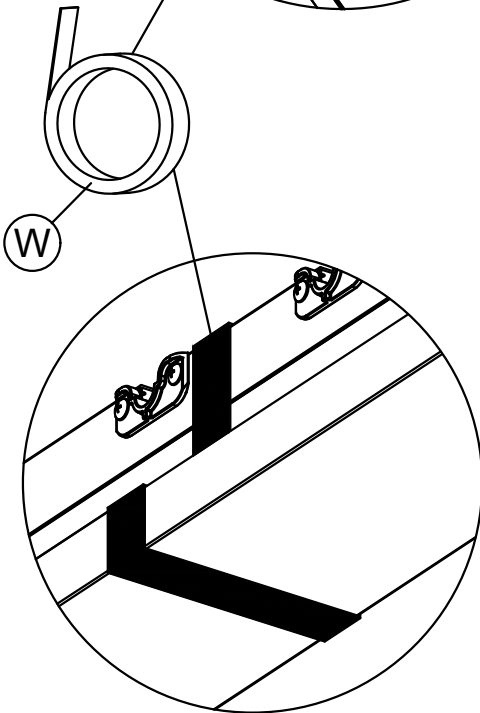
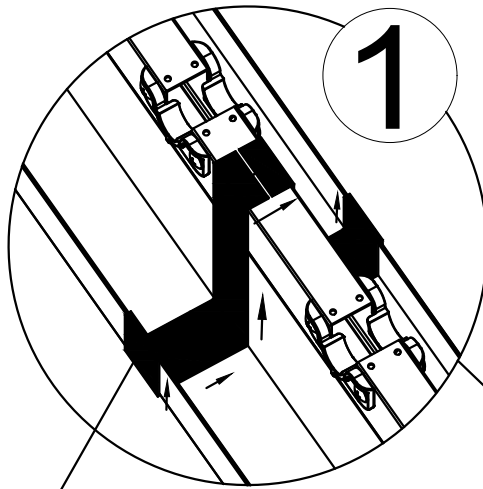
<12>

Wrap the crossbeam with waterproof tape all around. Make sure to wrap evenly on both sides. Press down firmly at the corners of the recessed area.

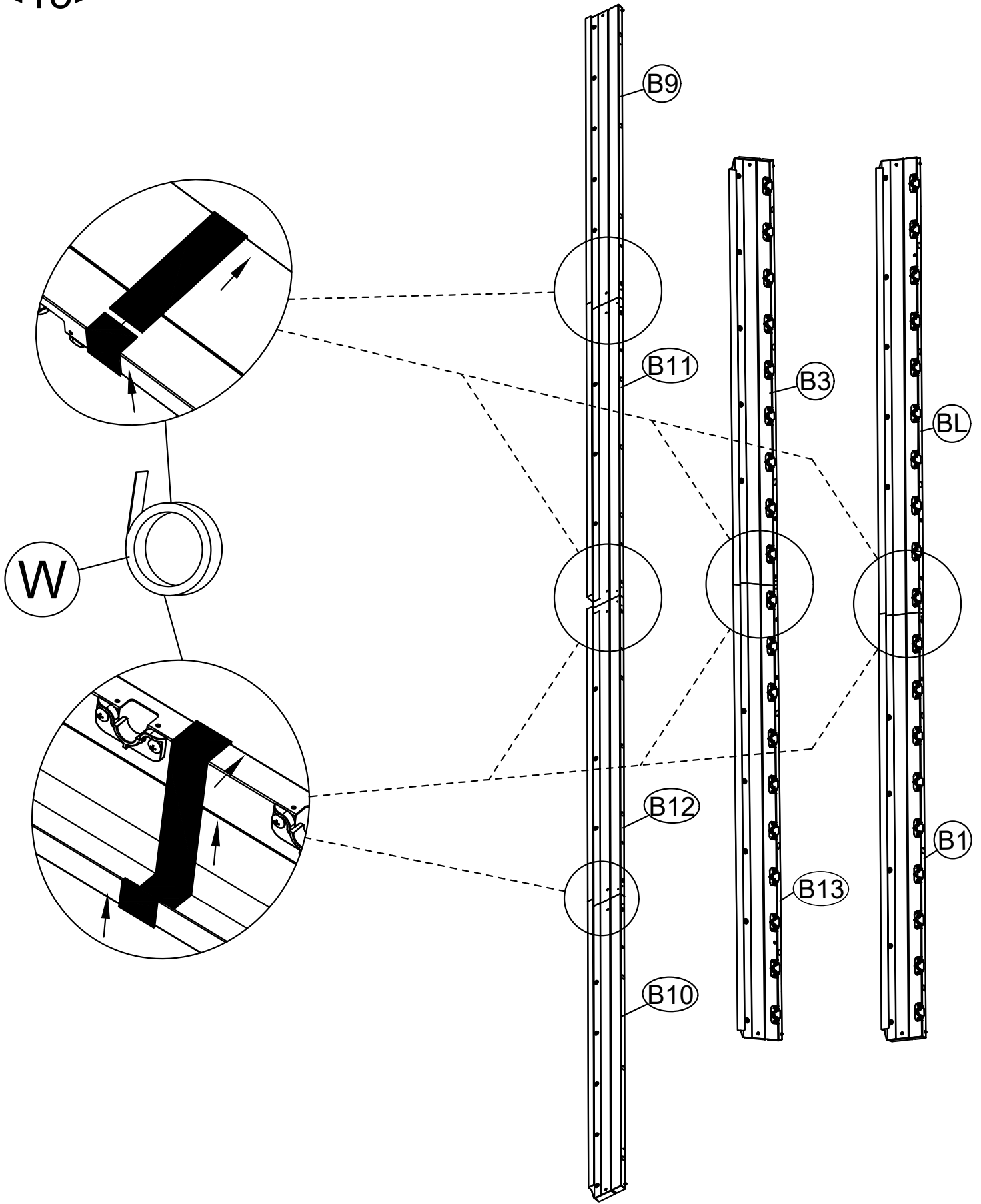
(W) 1x



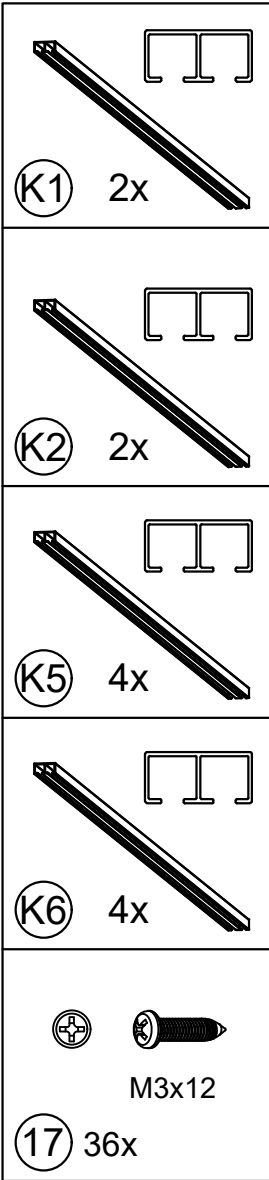
(J6) 3x



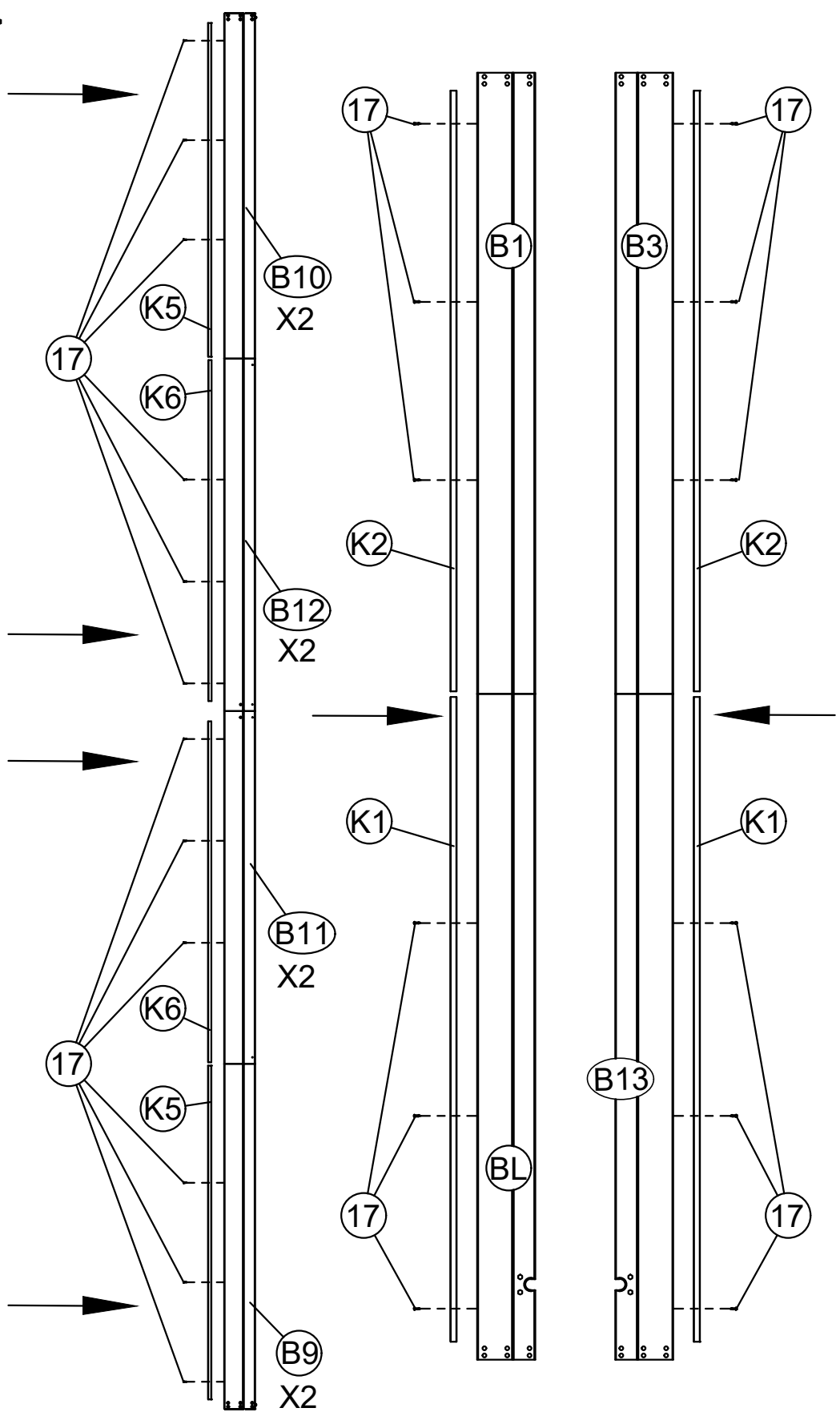
<13>



Wrap the crossbeam with waterproof tape all around. Make sure to wrap evenly on both sides. Press down firmly at the corners of the recessed area.

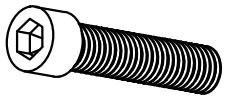


<14>



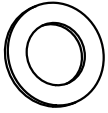
K1, K2, K5, and K6 curtain rods should be inserted into the corresponding beams. If the sequence is incorrect, the subsequent cover plates cannot be installed.

<15>



M8x25

9 24x

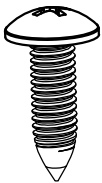


10 24x

6 M6x15

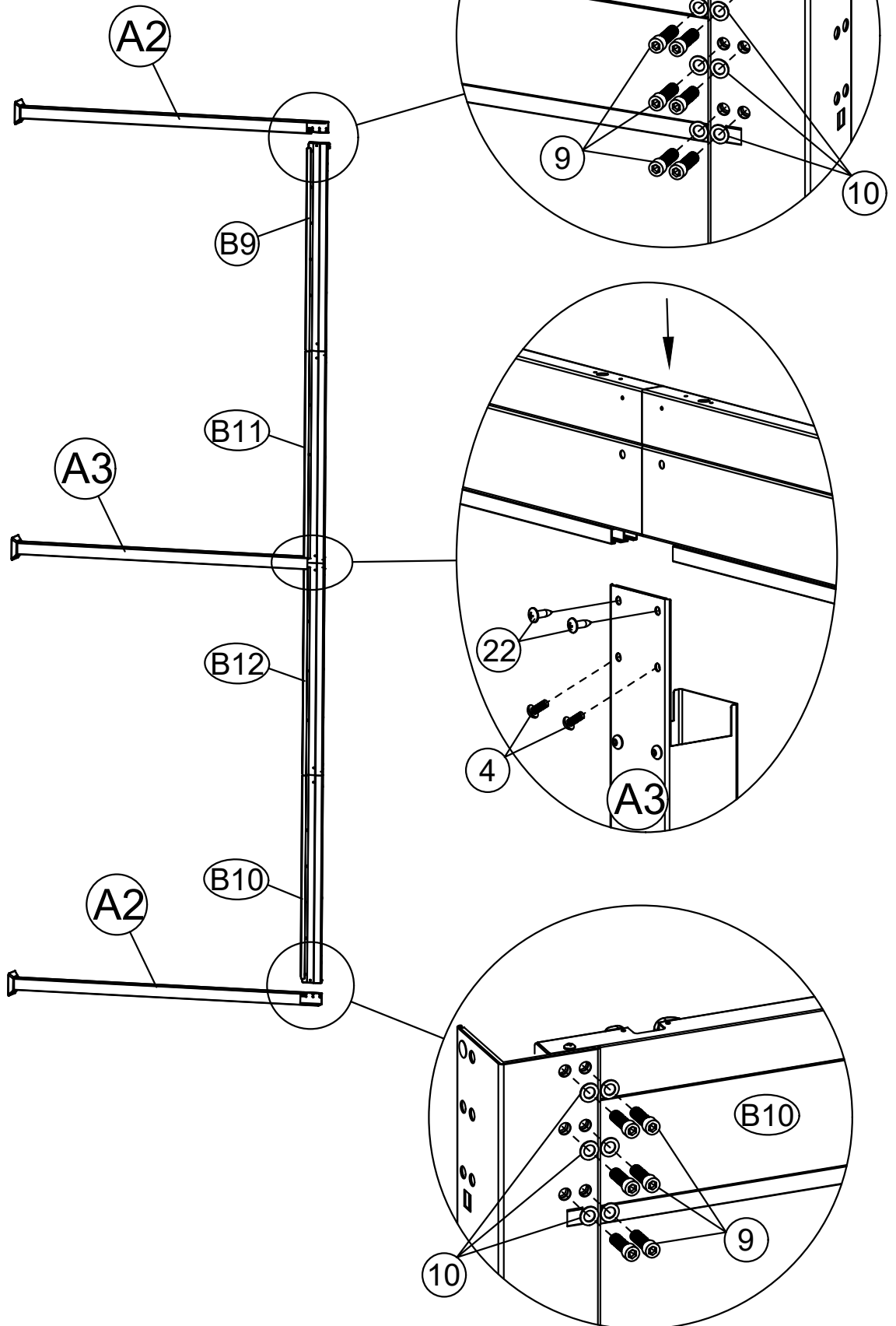
stainless
screw

4 4x

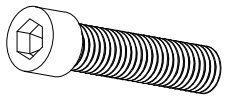


M6x20

22 4x

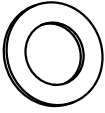


Repeat this step twice.

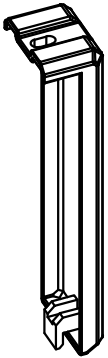


M8x25

9 24x

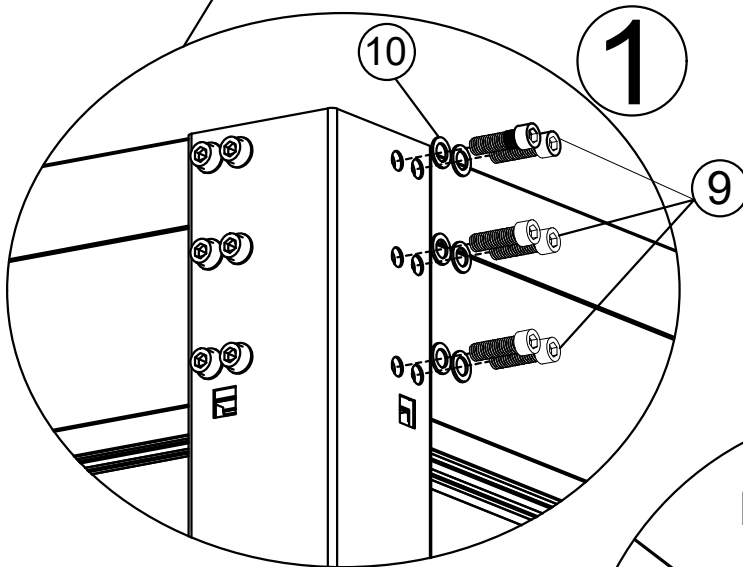
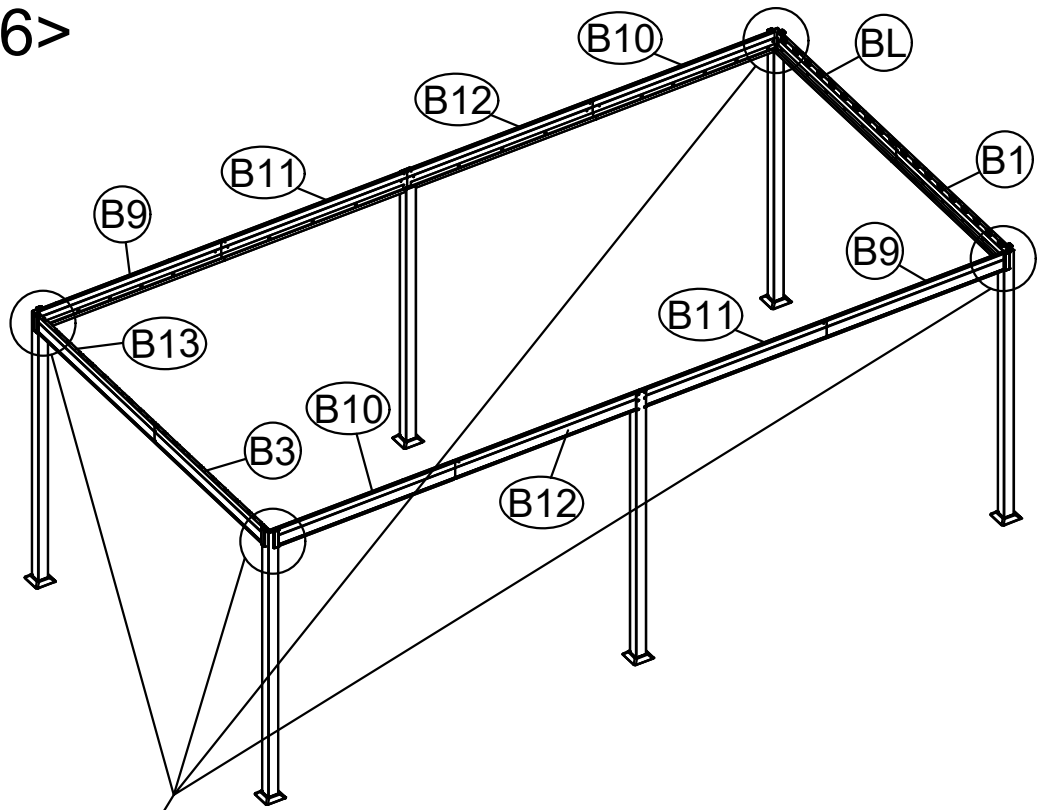


10 24x



C4 8x

<16>

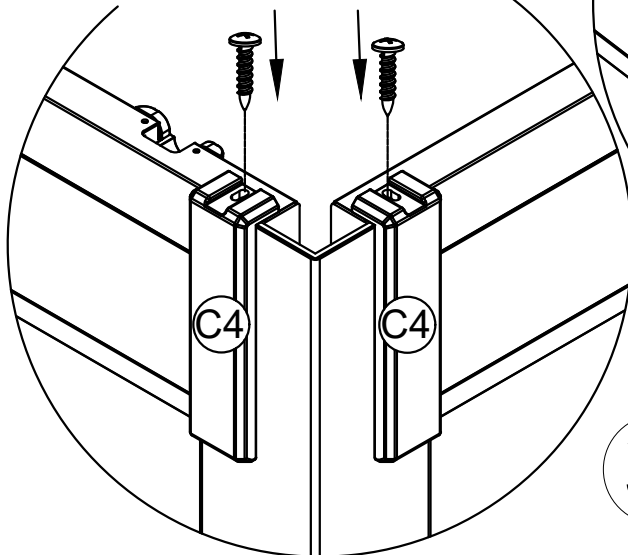


1



2

Reassemble the screws that were removed.



3

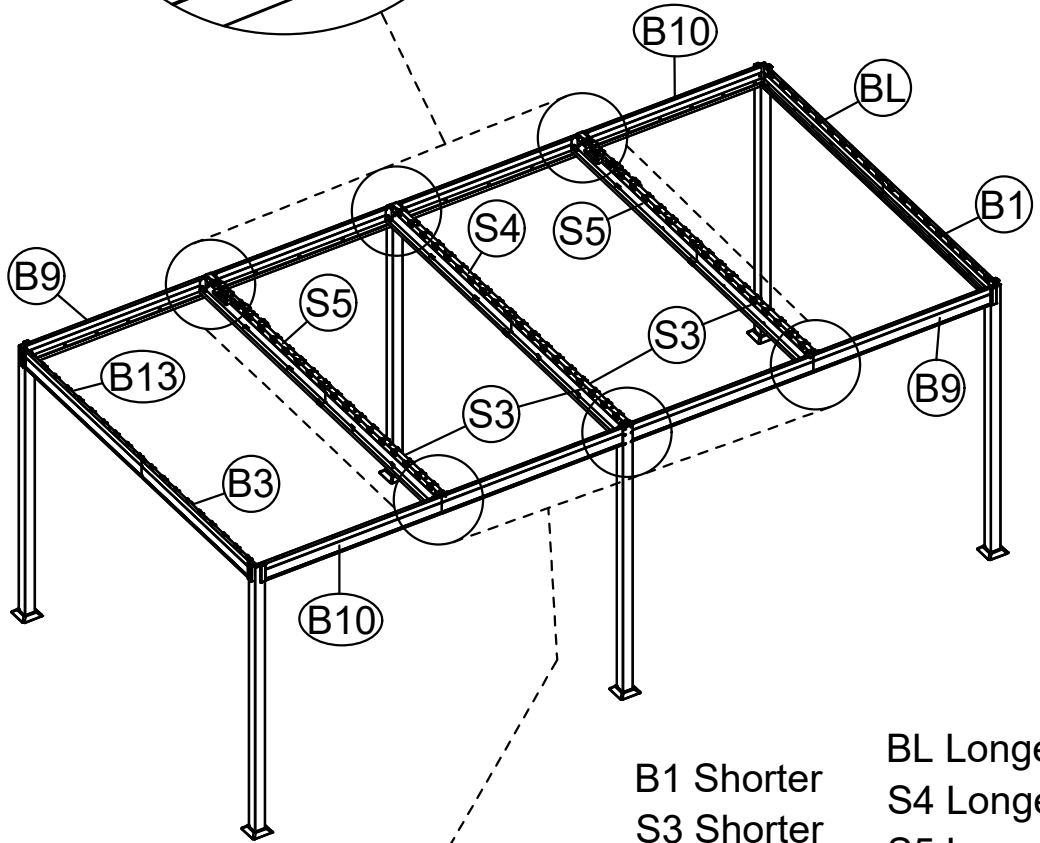


M5x15

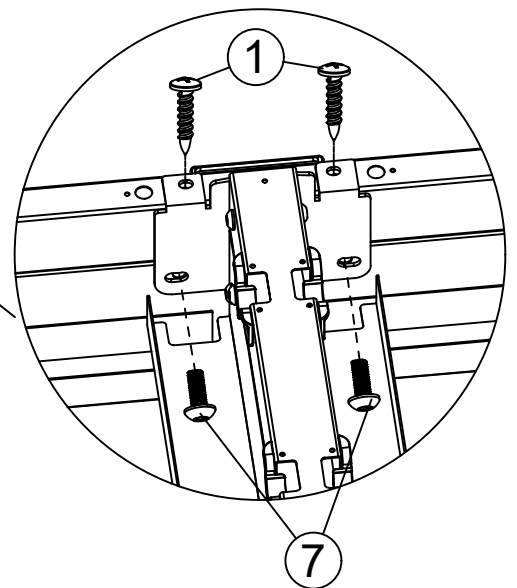
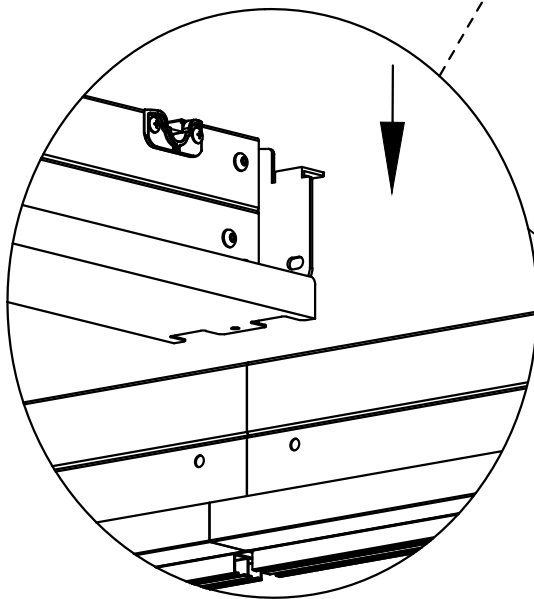
<17>

1 12x

Exit screw 7



B1 Shorter
 S3 Shorter
 B3 Shorter
 BL Longer
 S4 Longer
 S5 Longer
 B13 Longer

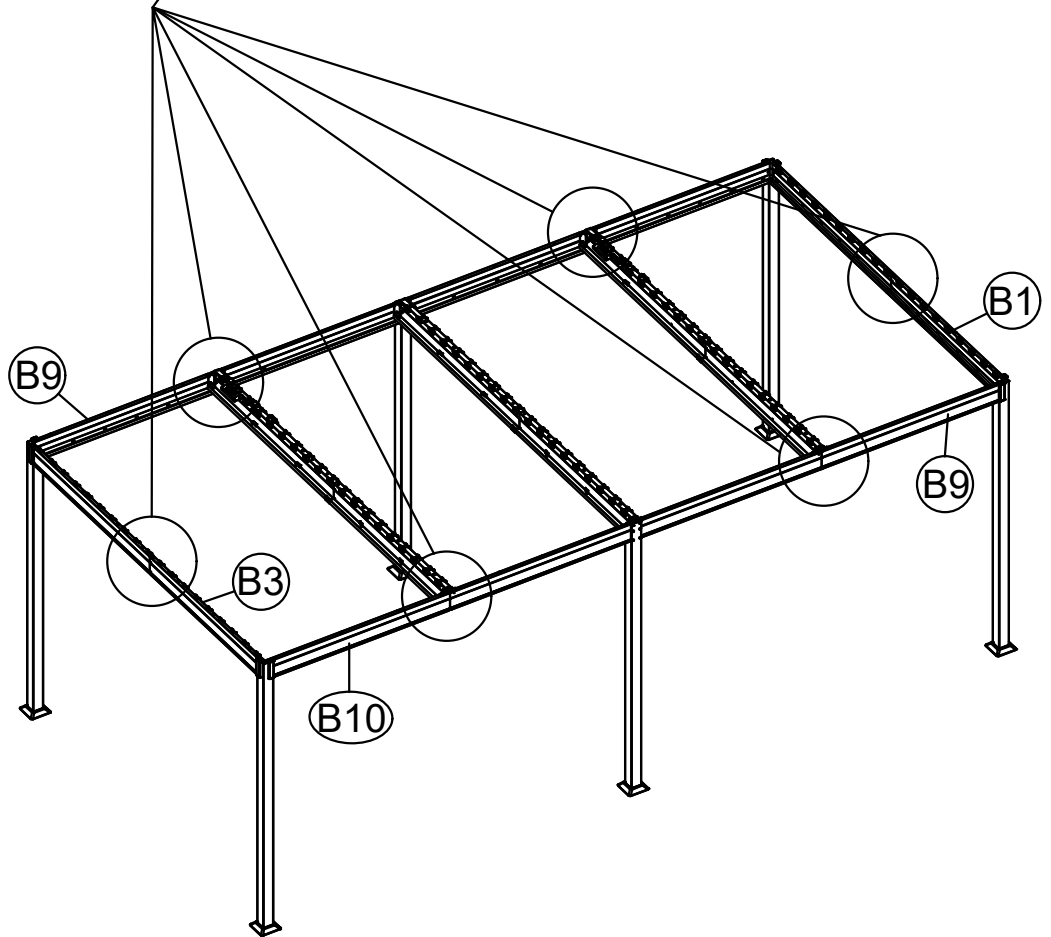
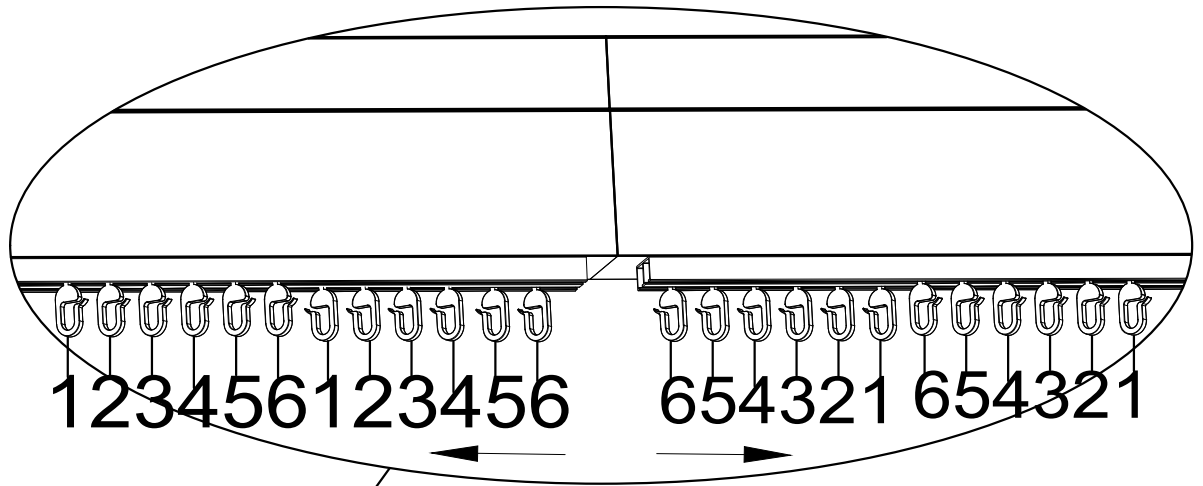


Shorter ones (S3, B1 & B3) are on the same side, while the longer ones (S4, S5, BL & B13) at the other side. If the installation direction is incorrect, the cover plate cannot be installed later.

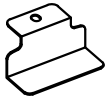


<18>

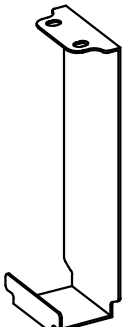
(M) 144x



<19>



J5 2x



J2 2x

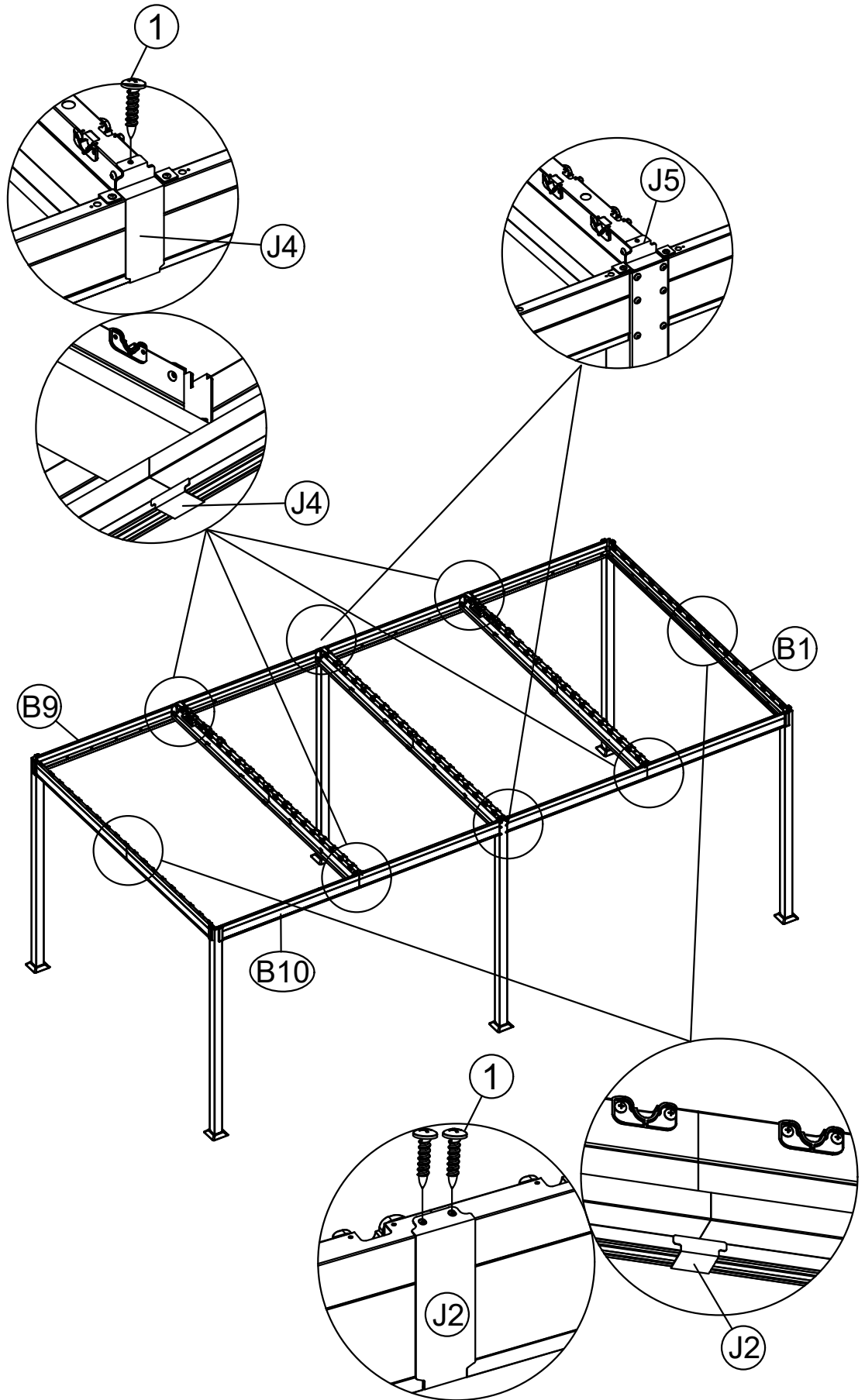


J4 4x



M5x15

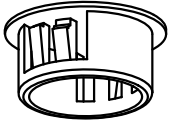
1 10x



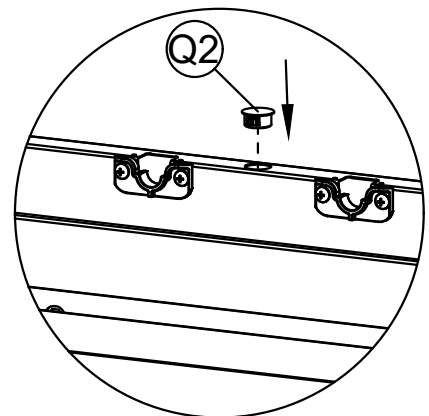
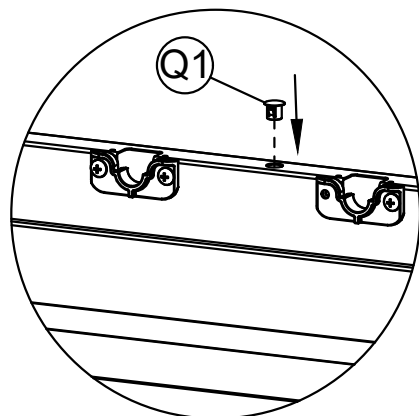
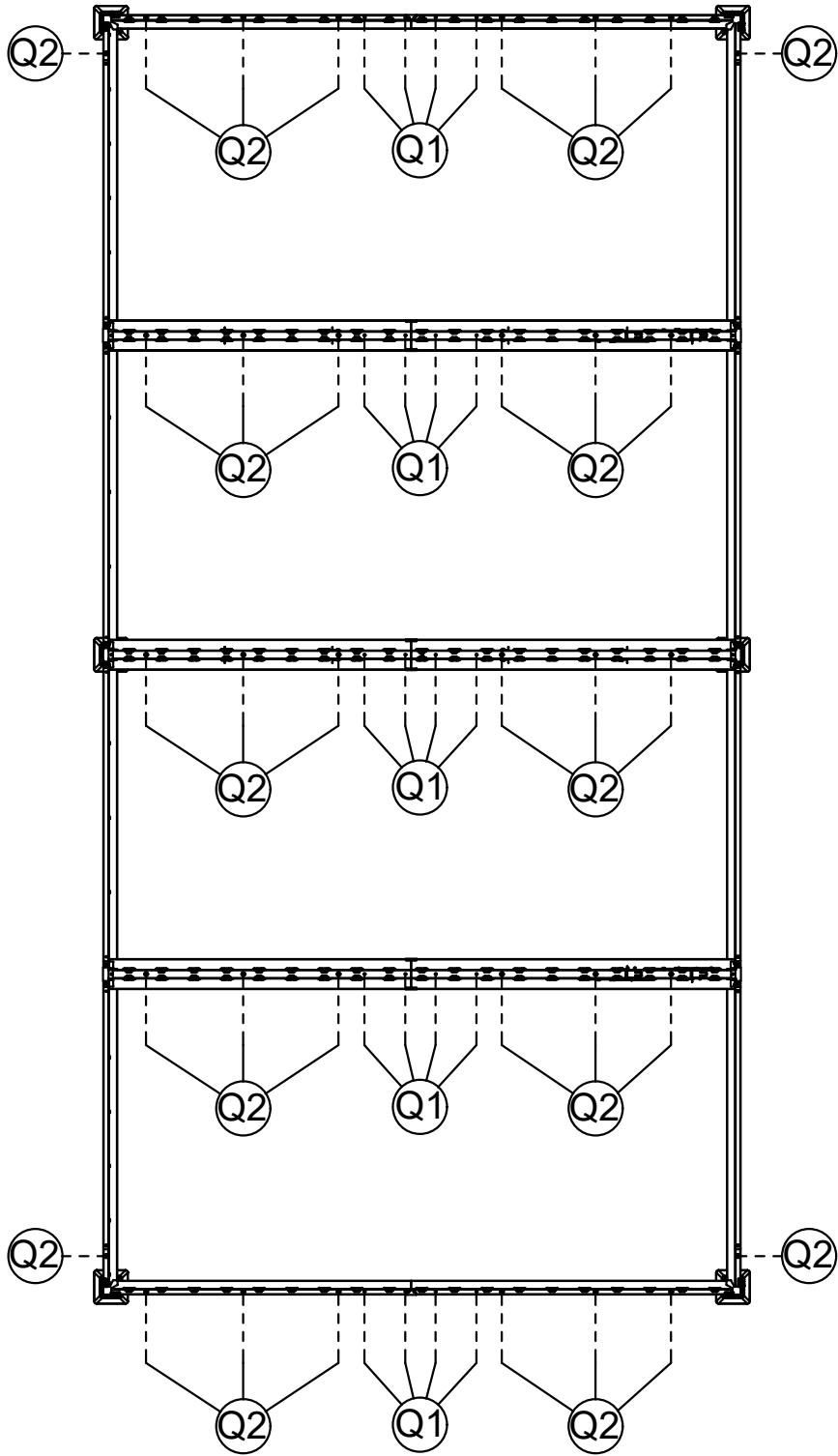
<21>



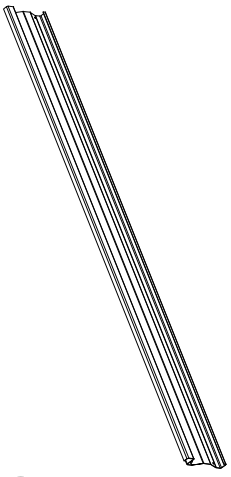
Q1 20x



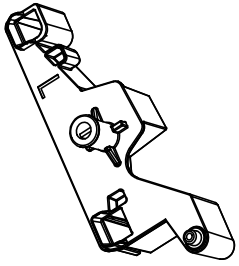
Q2 34x



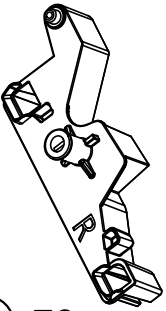
<22>



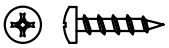
(F) 76x



(L) 76x

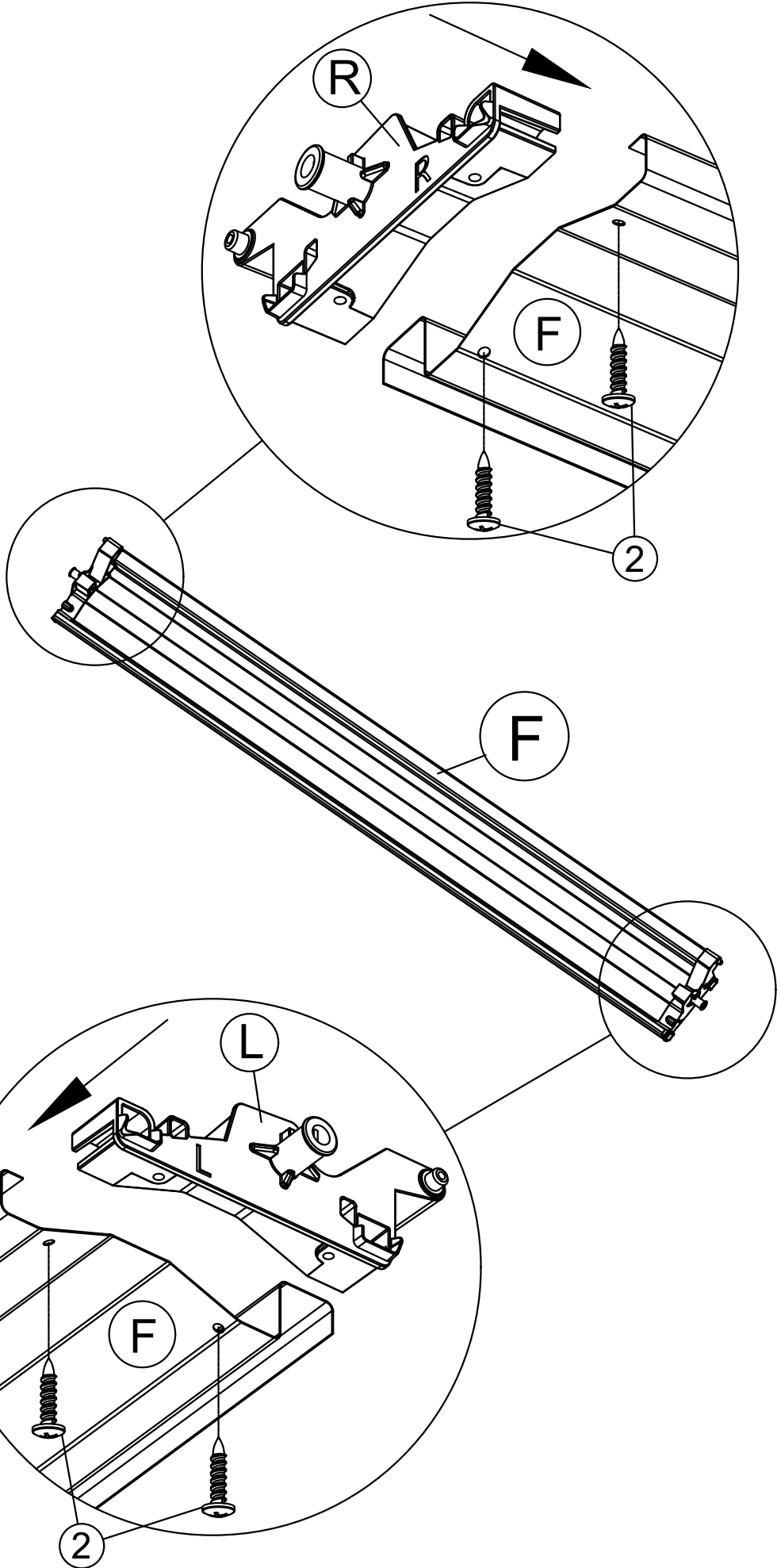


(R) 76x



M4x20

(2) 304x



<23>

G1 8x

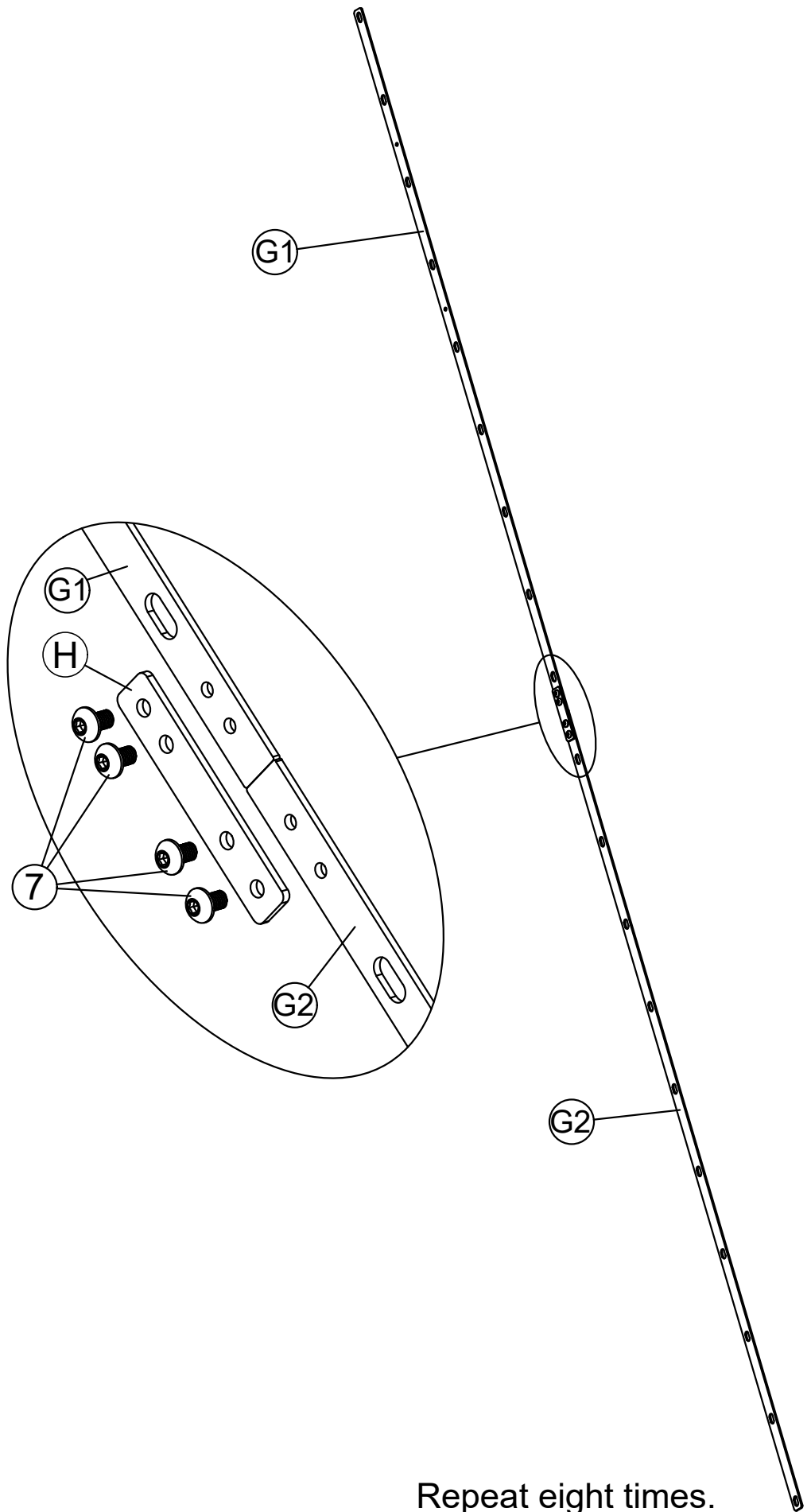
G2 8x

H 8x

7 32x

M6x10

34



Repeat eight times.

<24>

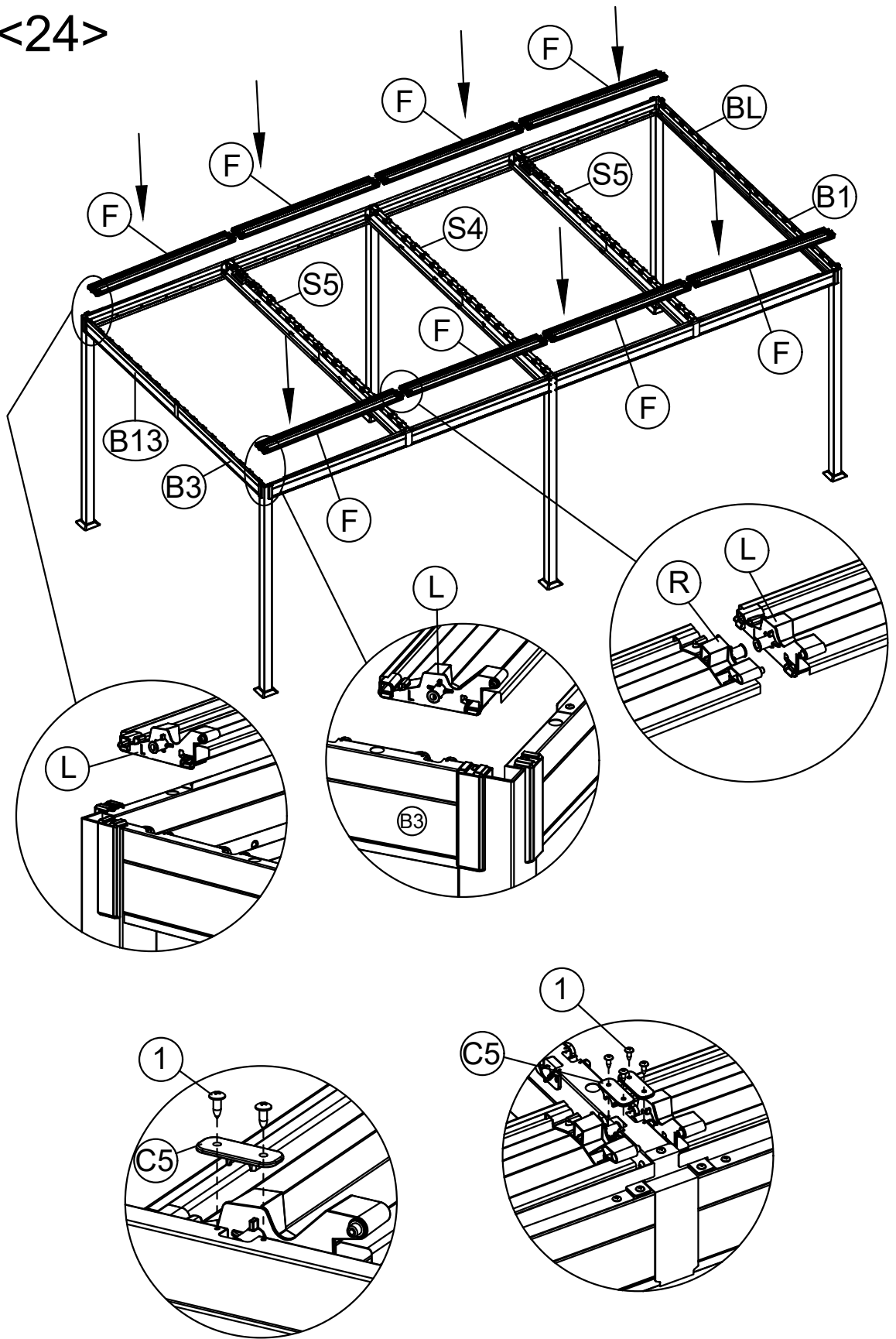


C5 16x



M5x15

1 32x



Pay attention to the placement direction. If it is incorrect, the following installation will not be possible.

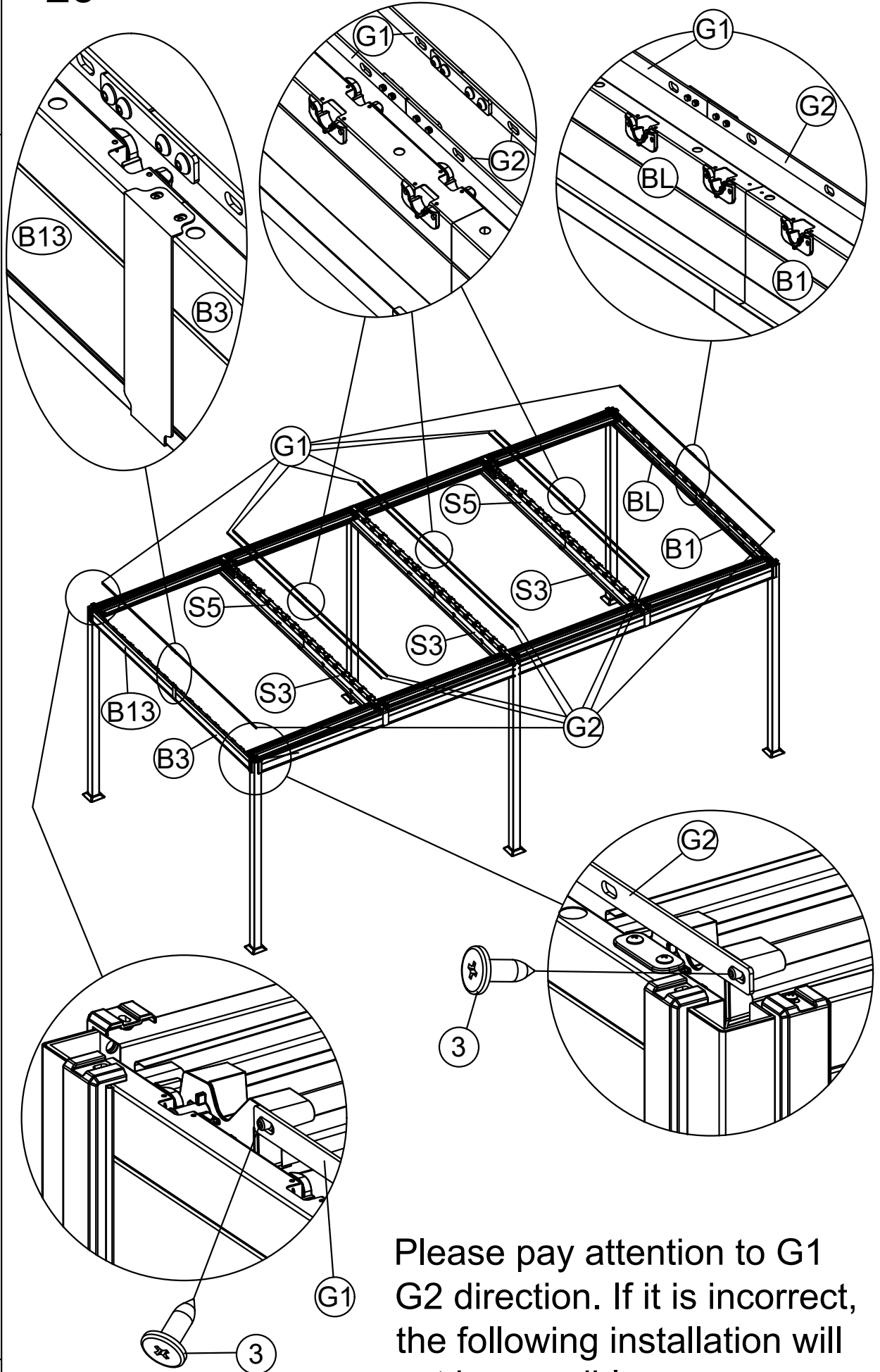


M4x12

<25>

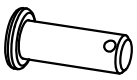
Pay attention to the direction of the screws.

3 16x

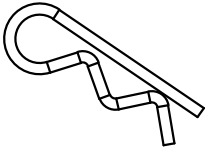


Please pay attention to G1 G2 direction. If it is incorrect, the following installation will not be possible.

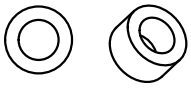
<26>



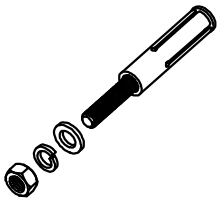
14 4x



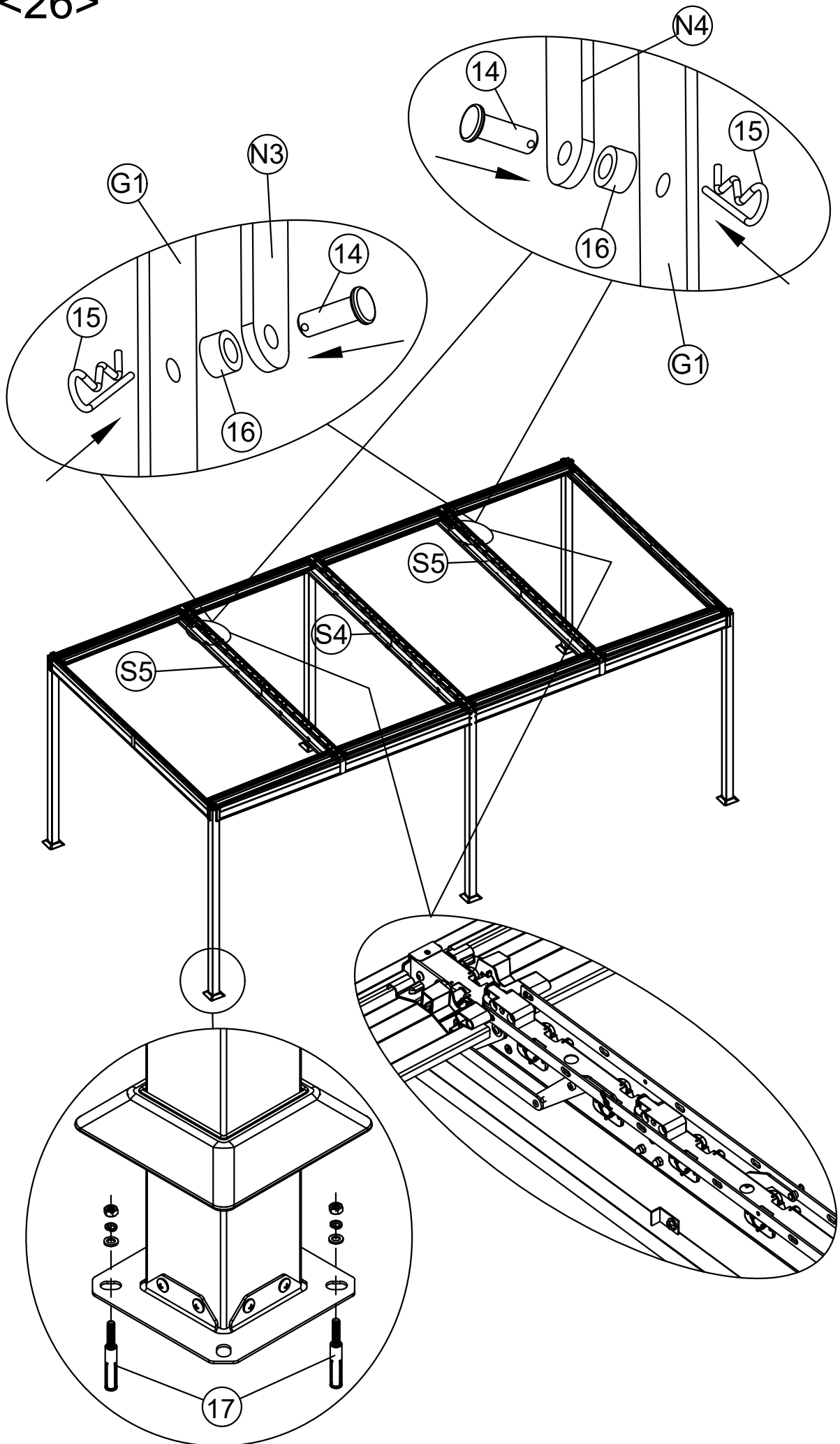
15 4x



16 4x



21 12x



<27>



M4x12

3 24x

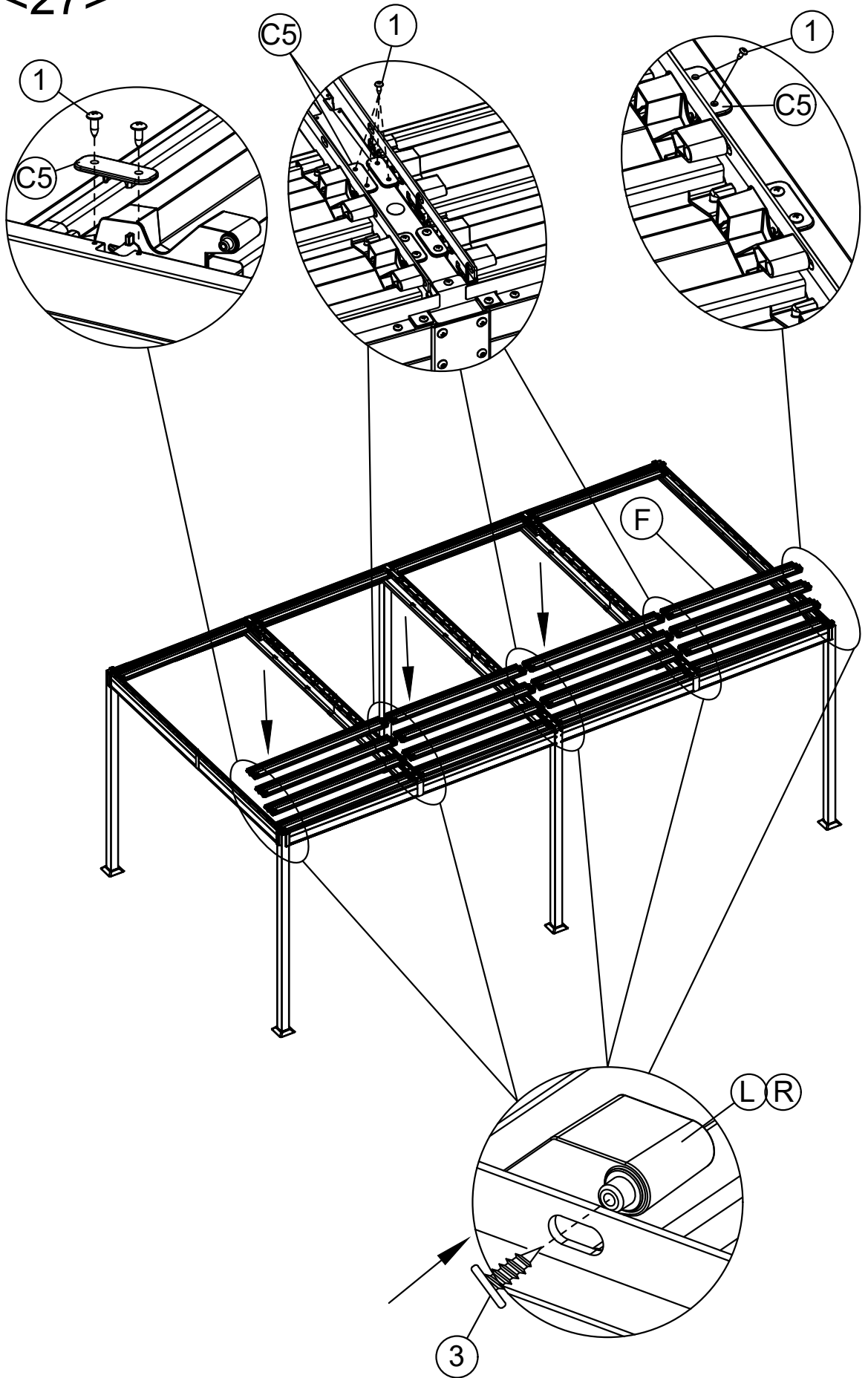


C5 24x



M5x15

1 48x





M4x12

3 112x



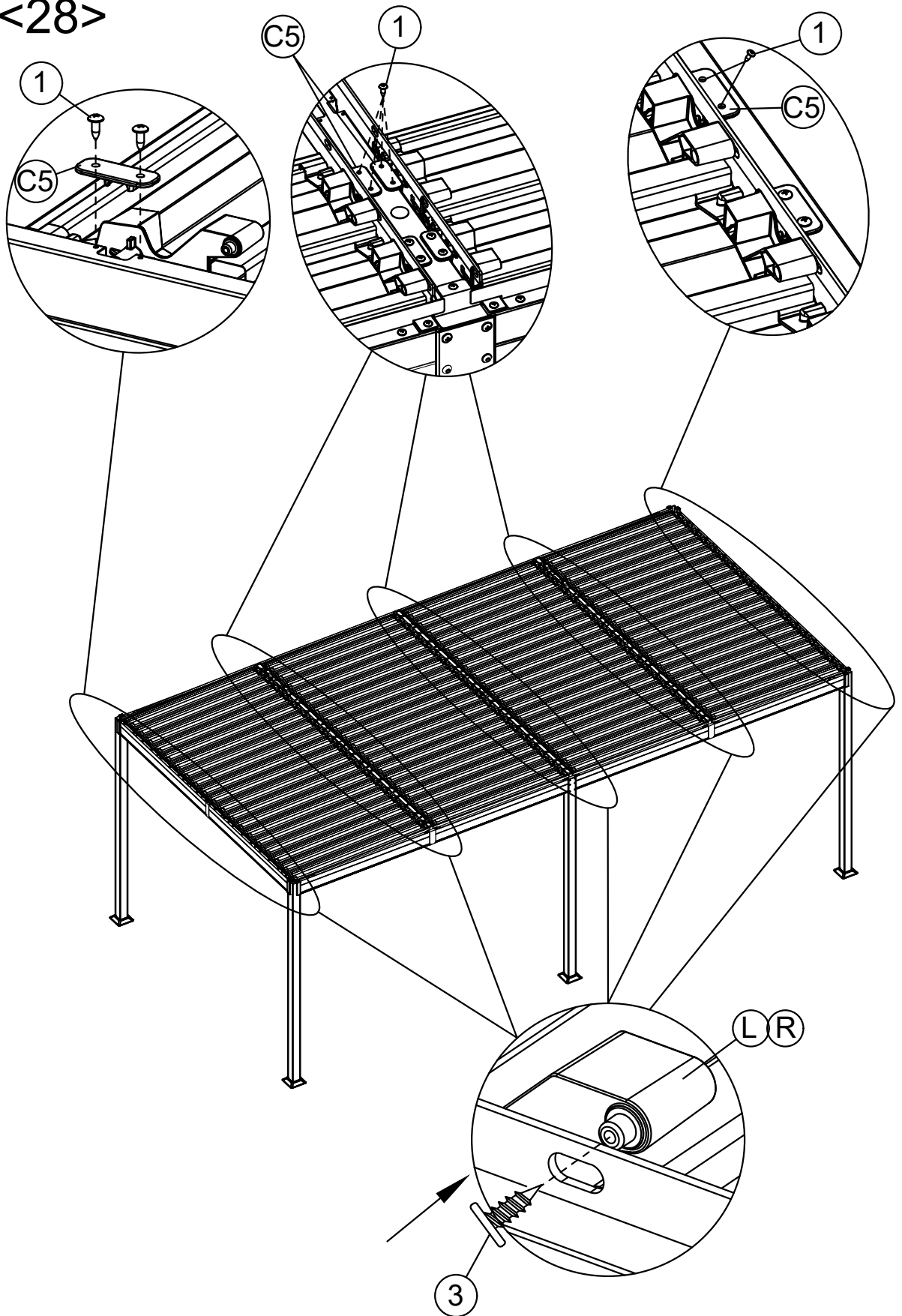
C5 112x



M5x15

1 224x

<28>

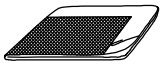


Finish louvers assembly with the same steps.

<29>



U5 1x



U6 1x

