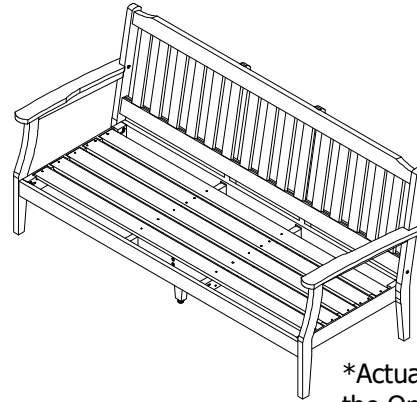
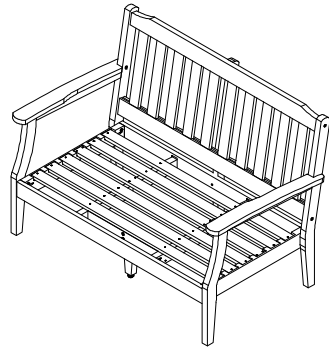


# Deep Seating Loveseat & Sofa

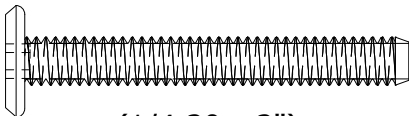
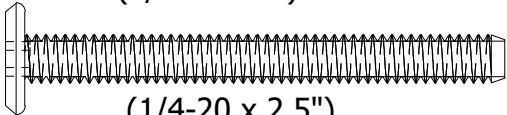
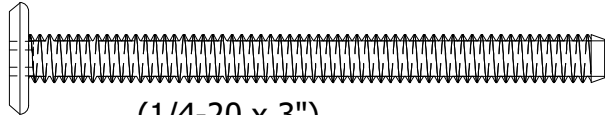
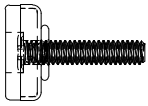
## Assembly Guide



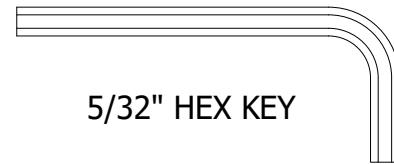
DSL02  
DSL03

\*Actual Style May Vary from  
the One Pictured in this Guide

### HARDWARE INCLUDED

- A**  Qty: 12  
(1/4-20 x 2")
- B**  Qty: 6  
(1/4-20 x 2.5")
- C**  Qty: 2  
(1/4-20 x 3")
- D**  Qty: 3  
(Leveling Foot)

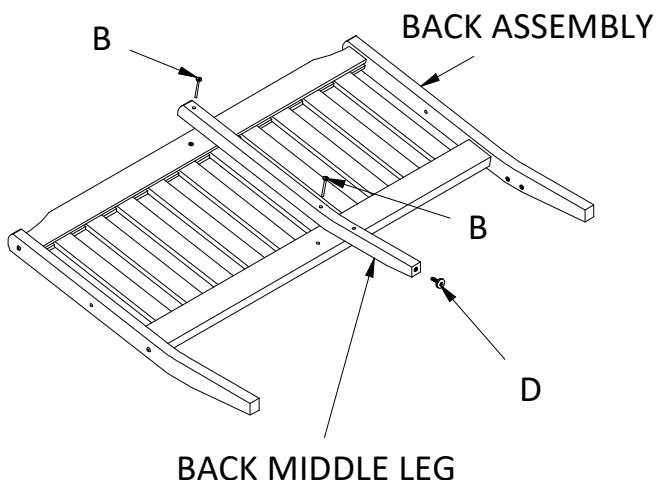
### TOOLS INCLUDED



5/32" HEX KEY

### IMPORTANT!

DO NOT fully tighten bolts until all bolts are started.



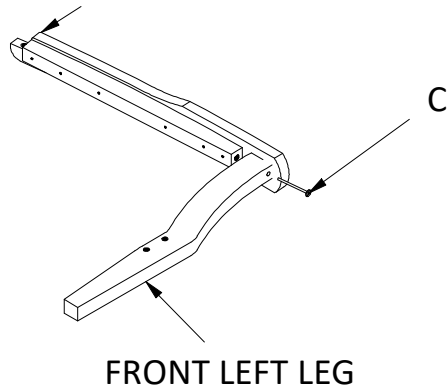
#### STEP 1

Lay the Back Assembly on the ground and attach the Back Middle Leg with (2) B Bolts. **(If you are building the Sofa you will have (2) Back Middle Legs and (6) B bolts.)**

#### STEP 2

Attach (1) D Leveling foot to the Back Middle Leg. (Adjust height as needed) **(If you are building the Sofa you will have (2) D Leveling Feet)**

### LEFT ARM ASSEMBLY



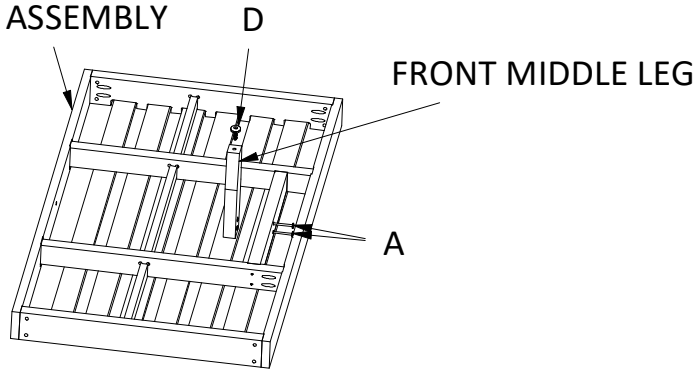
### STEP 3

Attach the Front Left Leg to the Left Leg Assembly using (1) C bolt.

### STEP 4

Repeat Step 3 for attaching the Front Right Leg & Right Arm Assembly.

### SEAT ASSEMBLY



### STEP 5

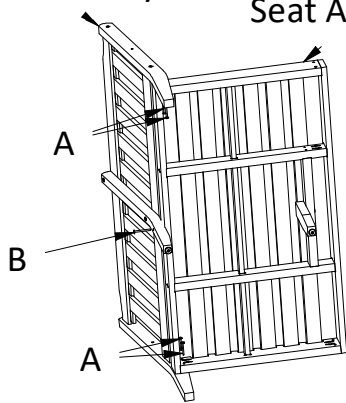
Attach the Front Middle Leg to the Seat Assembly using (2) A Bolts.

### STEP 6

Attach (1) D Leveling foot to the Front Middle Leg. (Adjust height as needed)

### Back Assembly

### Seat Assembly



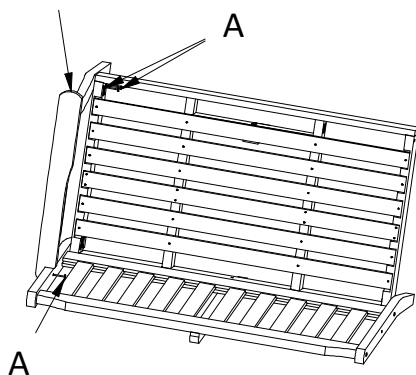
### STEP 7

Attach the Back Assembly to the Seat Assembly using (1) B Bolt & (4) A Bolts As Shown.

### STEP 8

If you are Building a Sofa you will you Have (2) B Bolts.

### Left Arm Assembly



### STEP 9

Attach the Left Arm Assembly Using (3) A Bolts as shown.

### STEP 10

Repeat Step 9 on the other side.