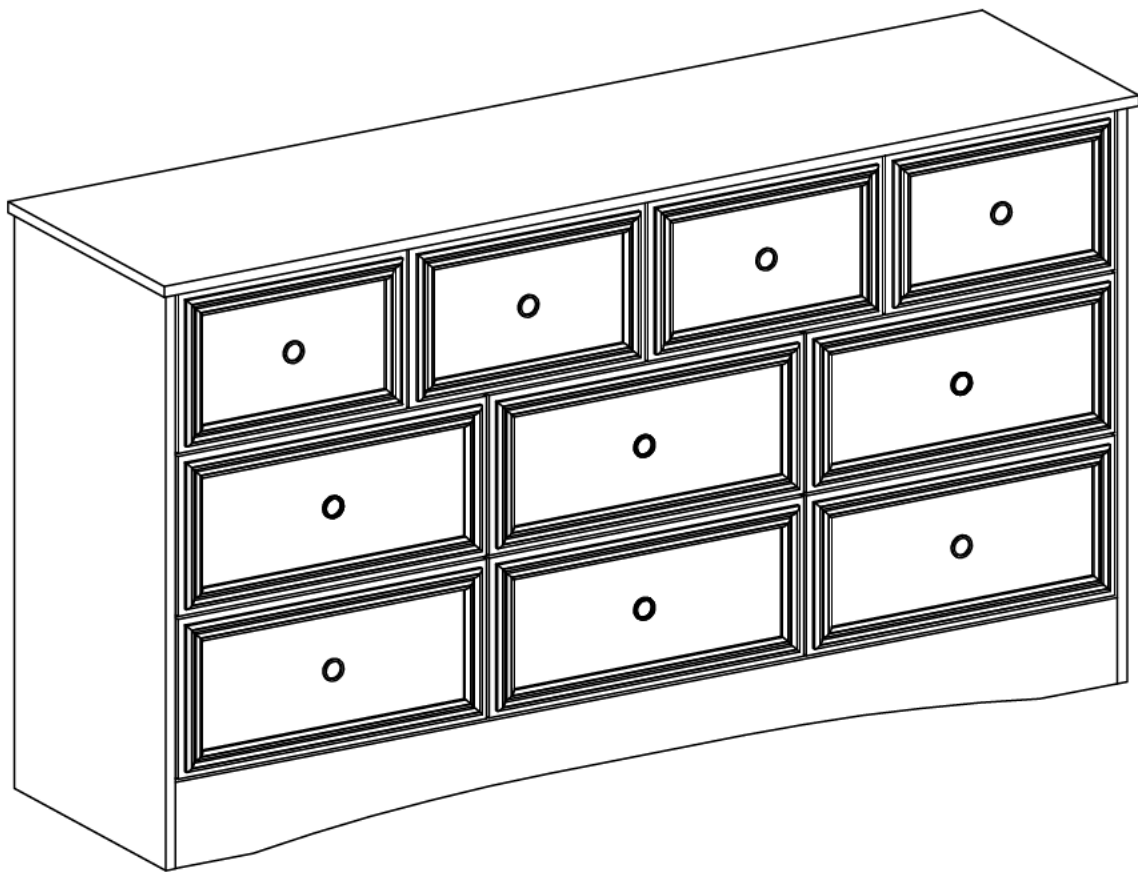


10 DRAWER DRESSER USER MANUAL



⚠ WARNING



**Children have died from furniture tipover.
To reduce the risk of furniture tipover:**

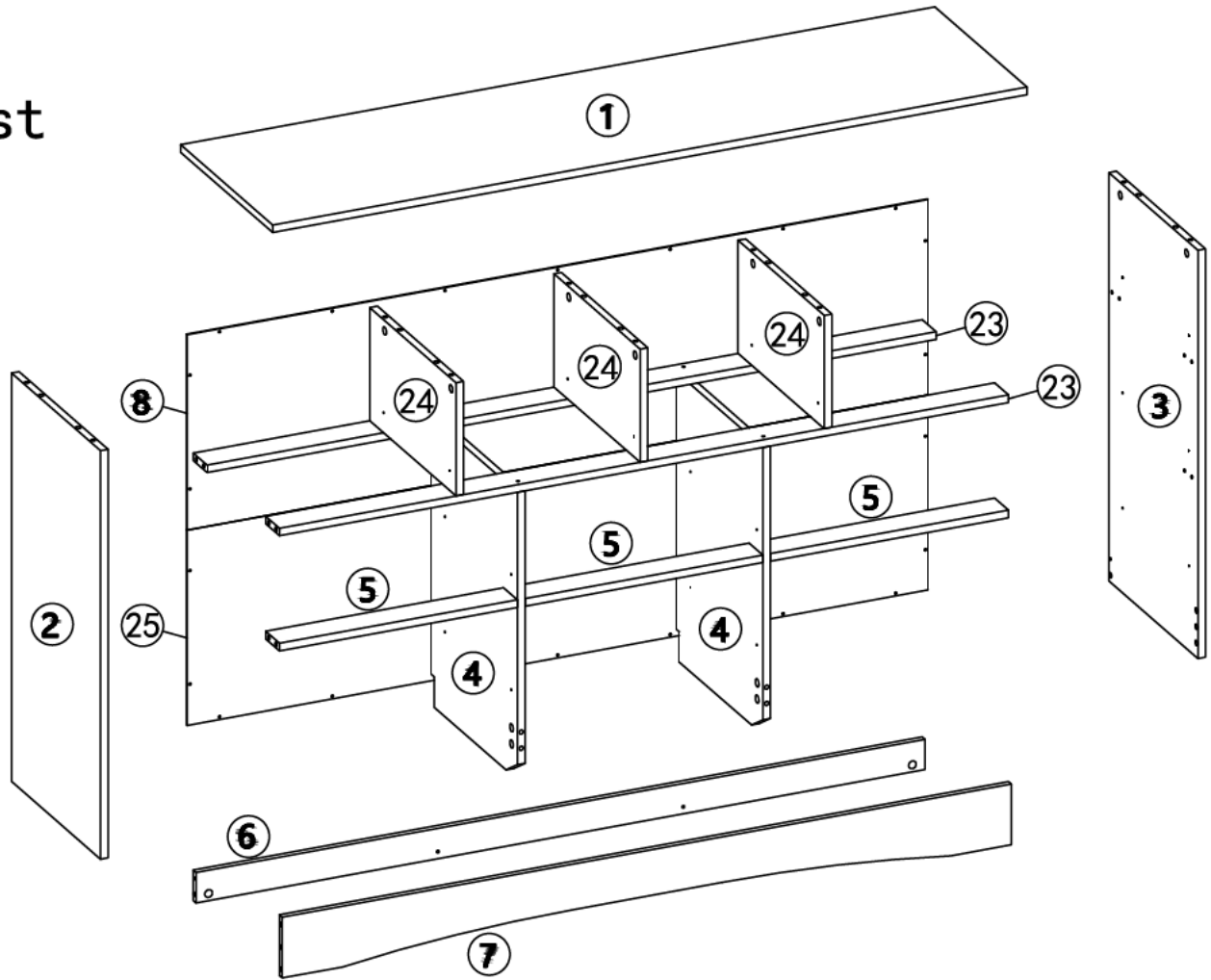
- ALWAYS install tip-over restraint provided.
- NEVER open more than one drawer at a time.
- NEVER allow children to stand, climb or hang on drawers, doors, or shelves.
- Place heaviest items in the lowest drawers.
- FOR use with televisions weighing 135 lbs or less.
- Use with heavier televisions may result in instability causing tip-over resulting in death or serious injury.



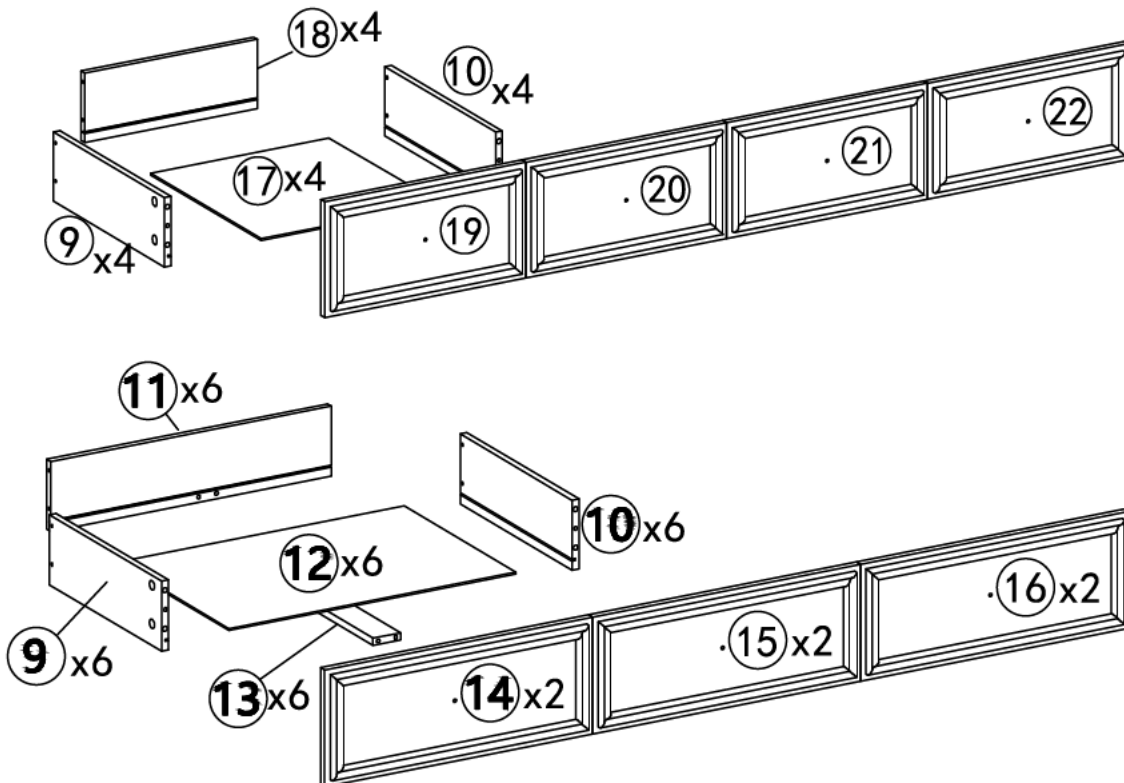
**Use of tip-over restraints may only reduce,
but not eliminate, the risk of tip-over.**

STRUCTURE FOR REFERENCE TO ASSEMBLY













Chest



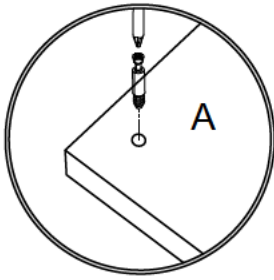
Drawers



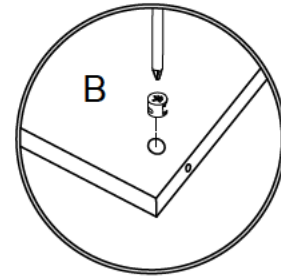
List of Parts

No.	Hard ware	Quantity
A		92+5
B		24+2
C		92+5
D		64+4
E		20+2
F		10
G		10+1
H		120+5
I		28+2
J		10
K		40+3
L		2

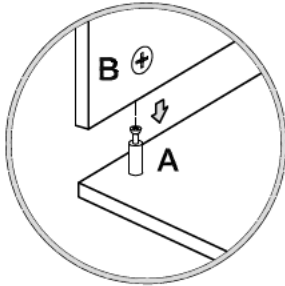
How to use the cam lock system



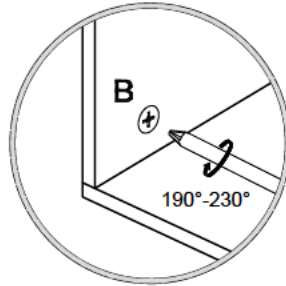
1. Screw cam bolt into panel



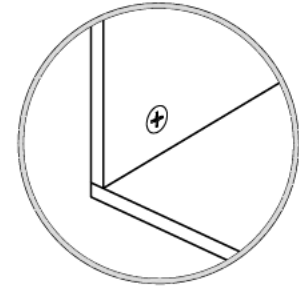
2. Push cam into panel - arrow feature on cam top points to panel edge



3. Align cam bolt(s) with cam(s) and insert all the way into cross-bored hole(s)

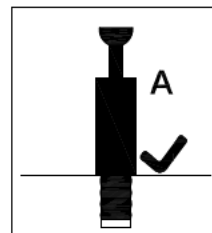
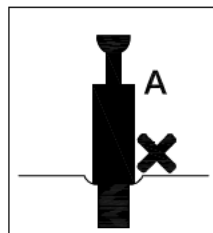
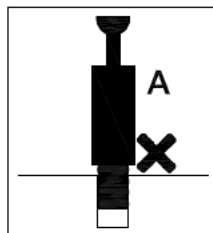
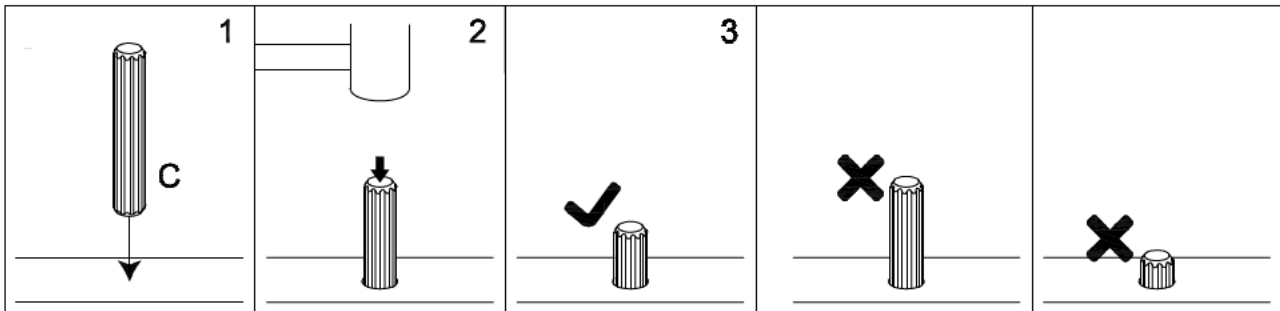


4. Rotate cam(s) clockwise 190°-230° to lock panels together



5. Panels should be tight against each other and connection should be rigid

Insert the wood dowel [C] at least half way by tapping lightly with a rubber mallet, IF NECESSARY.



⚠ WARNING

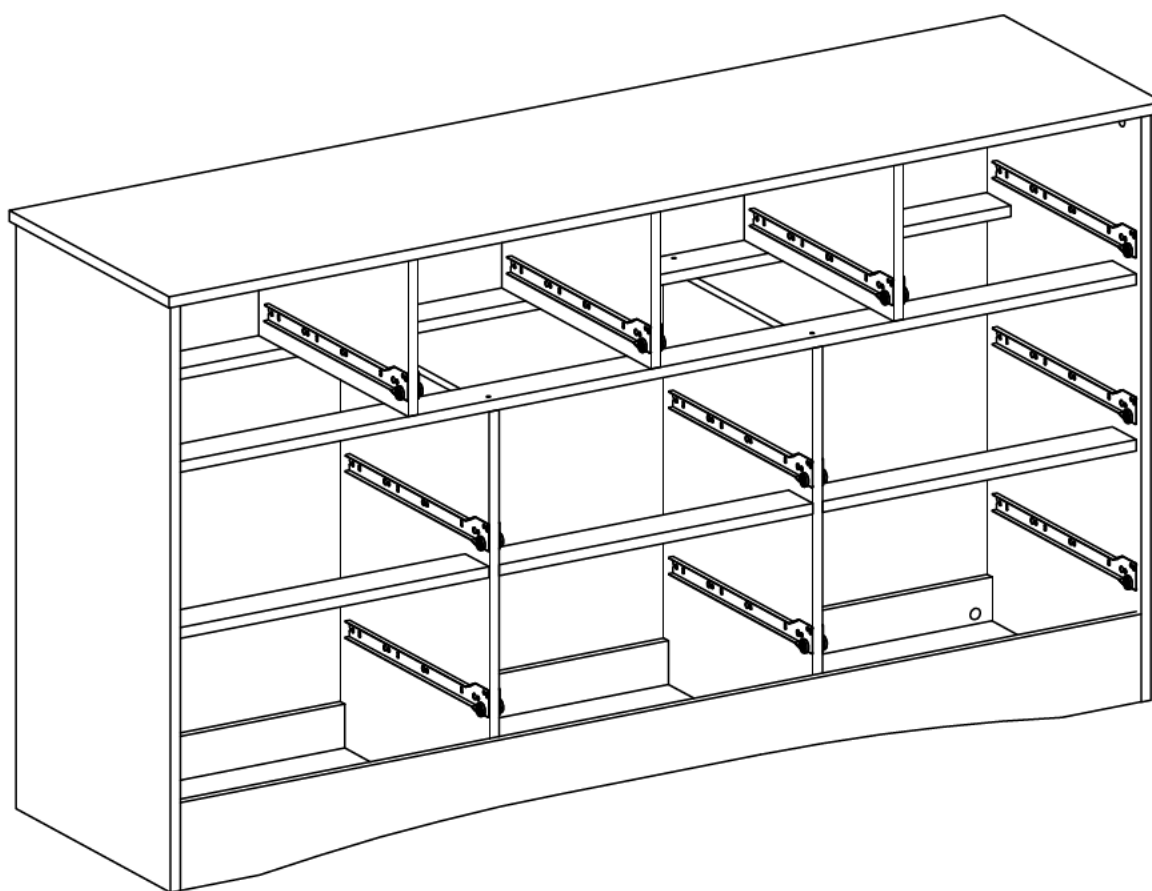
- Unit must be placed on a level surface or leveled with included hardware (when applicable).
- Do not sit or stand on or allow children to climb, sit or stand on the assembled product.
- For safety reasons, it is imperative that this unit be mounted to the wall.
- Do not use without installing the tip restraint.
- Unit can tip over causing severe injury or death.
- Do not exceed the recommended weight limits.
- Evenly distribute the weight on each level and always keep the heavier loads on the bottom.
- Before cutting, drilling or hammering into any wall or floor surface, verify the location of electrical, plumbing and gas lines. Cutting may cause serious injury.

You are now ready to assemble the dresser

Before installation, observe each structure of the drawer dresser.

It is divided into 5 parts in total:

1. Install the Boards Slides(②③④⑳)
2. Install the Frame Part(⑤⑥⑦㉓)
3. Install the Top Panel and Back Panel
4. Install the Drawers
5. Install the Drawers Slides



WARM TIPS:

Here has 4 kind of Slide J, 2 kind of Boards Slides(left and right) and 2 kind of Drawers Slides(left and right)

Step 1-1

(J)



3pcs

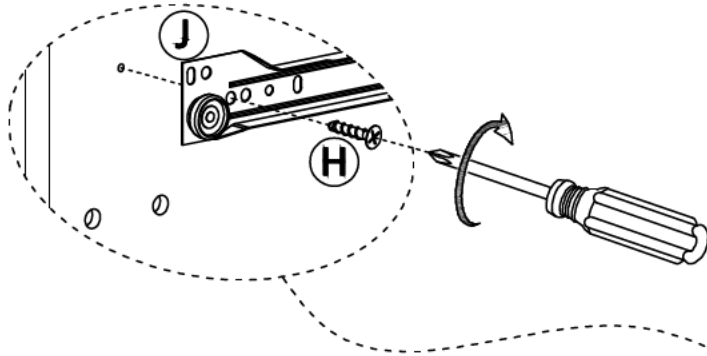
(H)



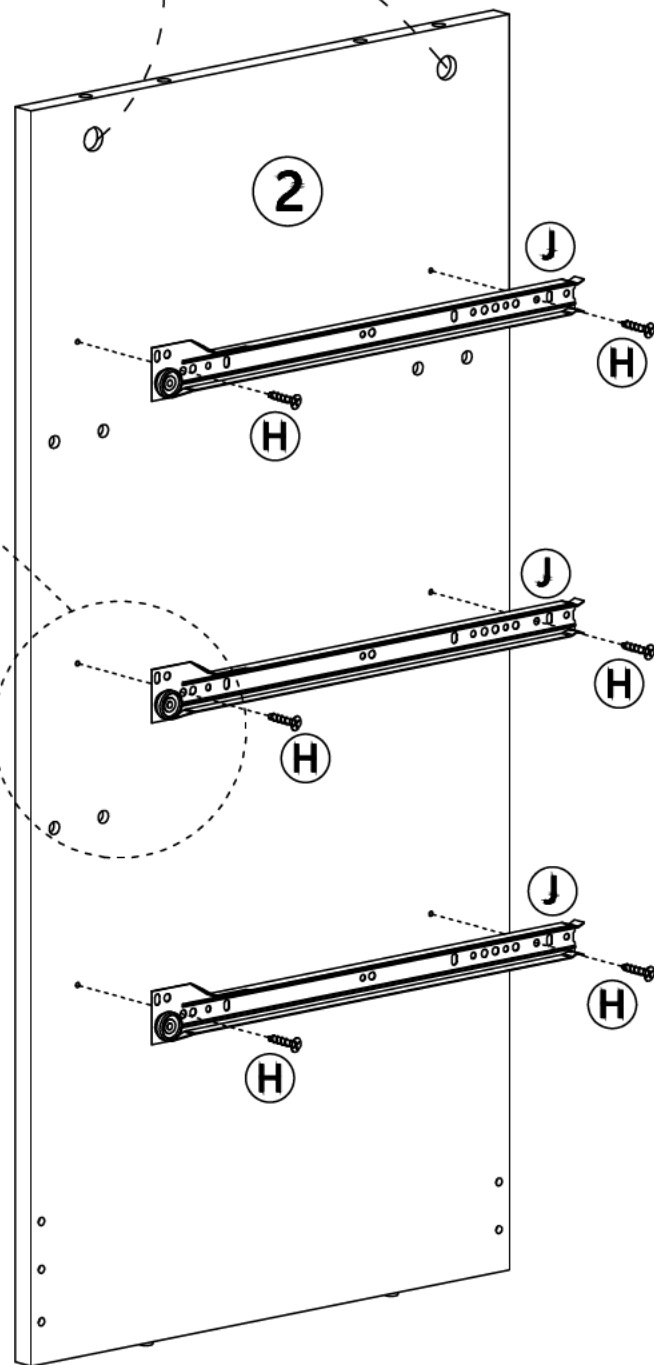
9pcs

When building it make sure to take note of the drawer slides is the one with a flat end.

Make sure the two large pre-drilled hole are on the upside.



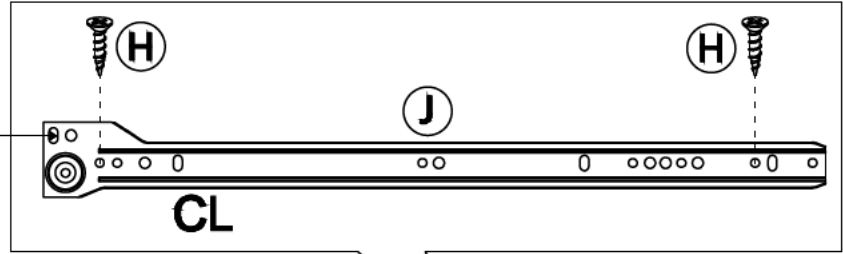
All the white wheels should be on the same side as the HORIZONTAL two adjacent small holes in the middle. And two adjacent small pre-drilled holes are for A screw to install reinforcement connect boards, not for H screw to install sliding rail. The white wheel is on the lower side.



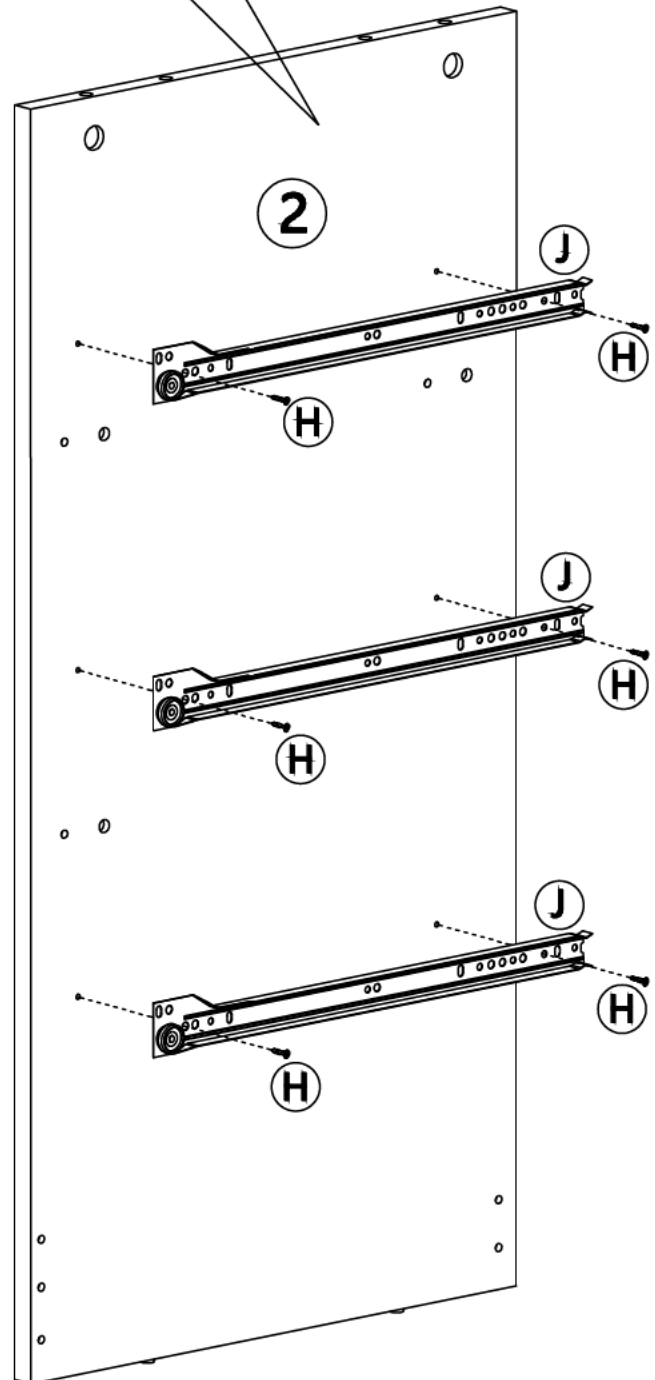
Step 1-2

NOTE:When you screw the screws, please refer to the illustration carefully to make sure that the slide screws correspond to the position.

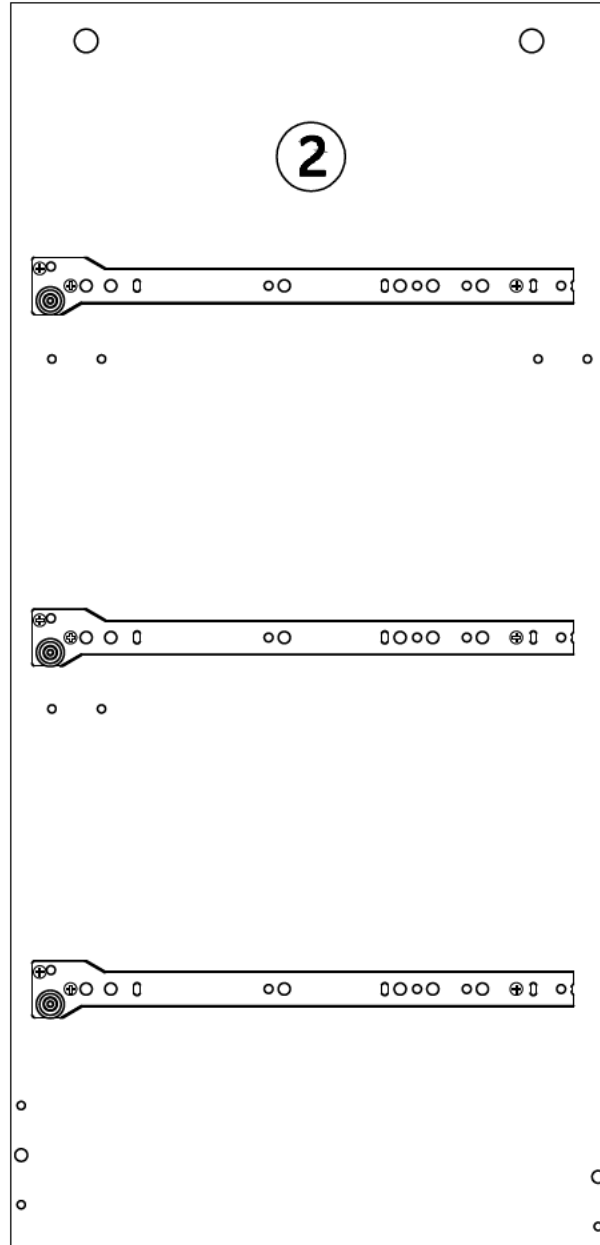
Fix the slide first: The LOWER row of holes of the slide has two corresponding pre-drilled holes. Start with the screw in the FIRST hole in the BELOW row holes of the slide closest to drawer face.



The first hole in the UPPER row holes of the slide is without the corresponding pre-drilled hole, after fix the position of the slide and then screw on.



Step 1-3



Check the position of the slides in this finished picture.

Step 2-1

(J)



3pcs

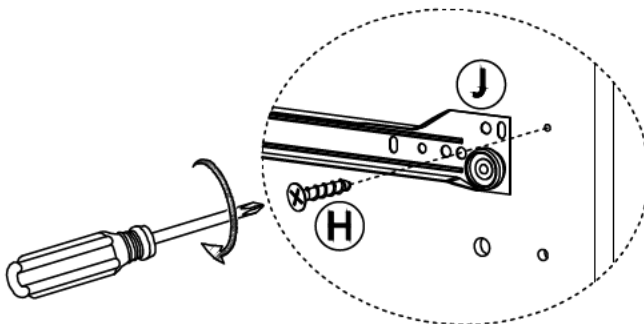
(H)



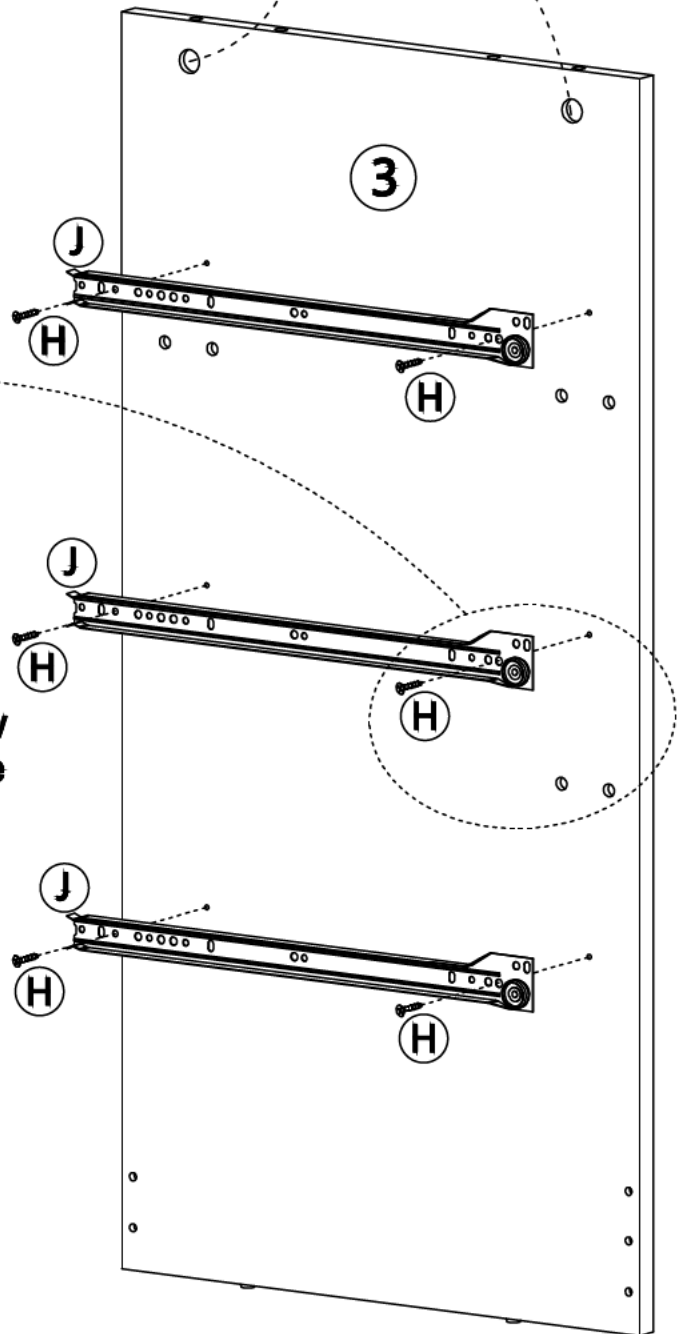
9pcs

When building it make sure to take note of the drawer slides is the one with a flat end.

Make sure the two large pre-drilled hole are on the upside.

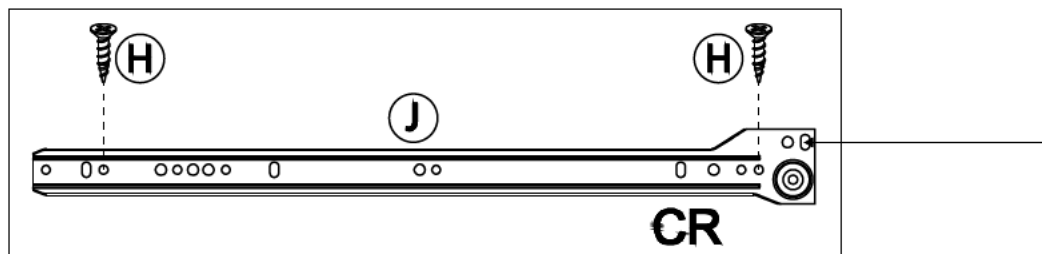


All the white wheels should be on the same side as the HORIZONTAL two adjacent small holes in the middle. And two adjacent small pre-drilled holes are for A screw to install reinforcement connect boards, not for H screw to install sliding rail. The white wheel is on the lower side.

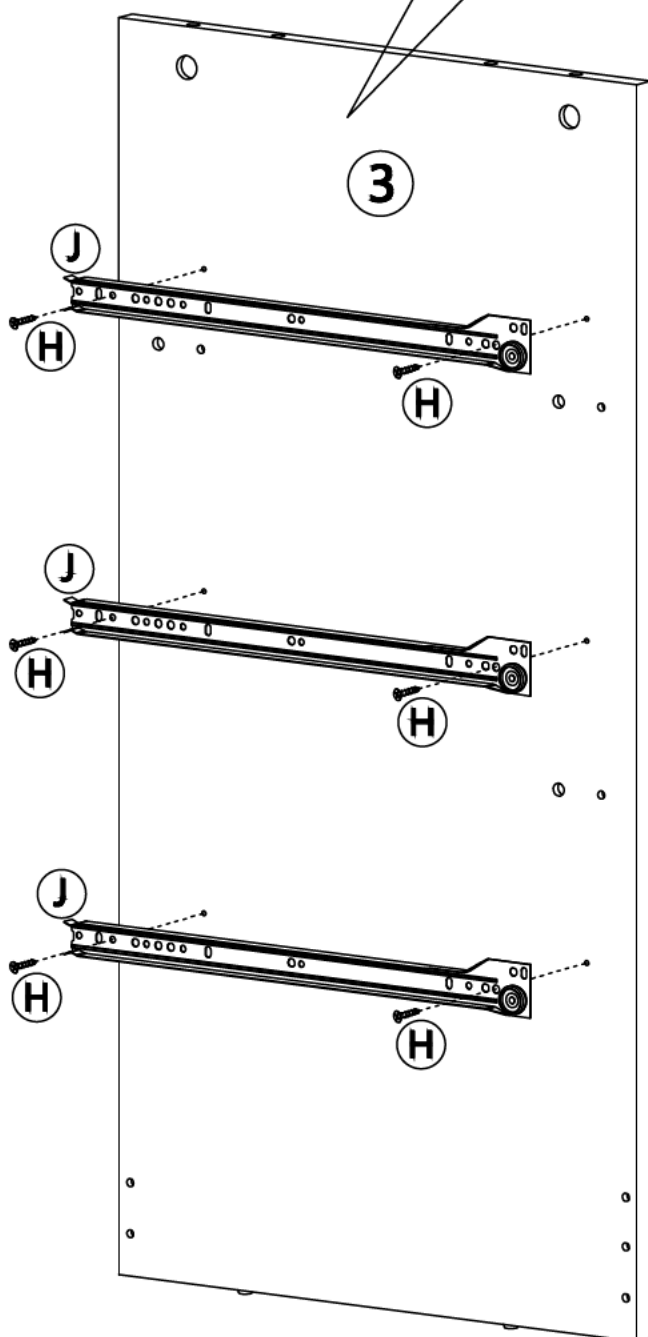


Step 2-2

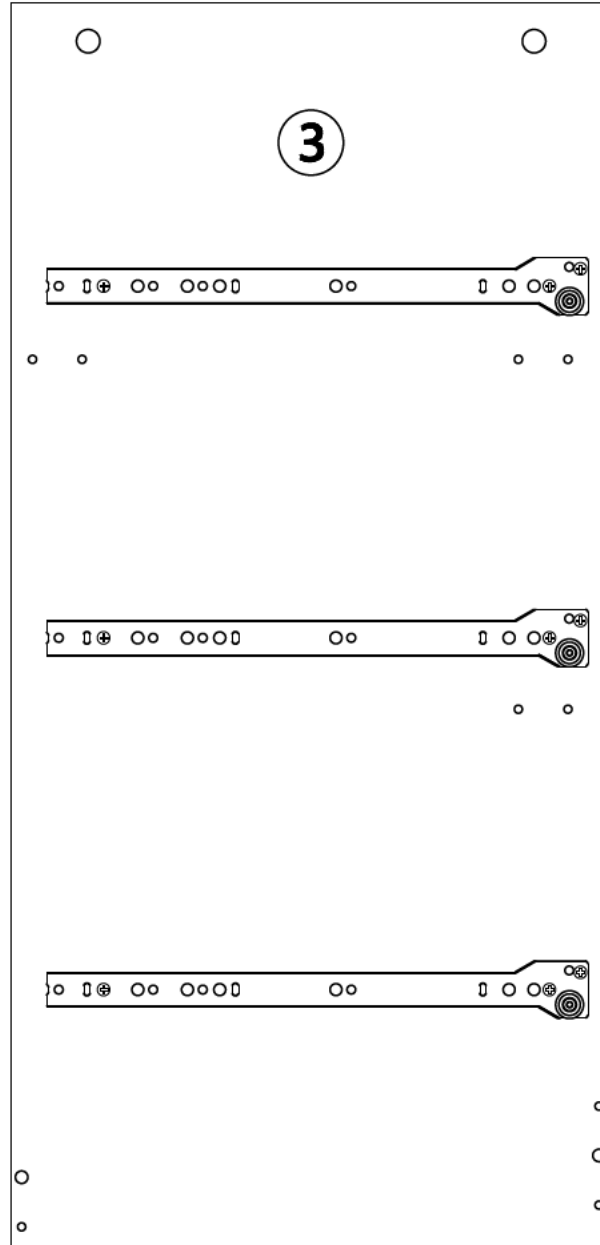
NOTE:When you screw the screws, please refer to the illustration carefully to make sure that the slide screws correspond to the position.
Fix the slide first: The LOWER row of holes of the slide has two corresponding pre-drilled holes. Start with the screw in the FIRST hole in the BELOW row holes of the slide closest to drawer face.



The first hole in the UPPER row holes of the slide is without the corresponding pre-drilled hole, after fix the position of the slide and then screw on.



Step 2-3



Check the position of the slides in this finished picture.

Step 3-1

(J)



2 pcs

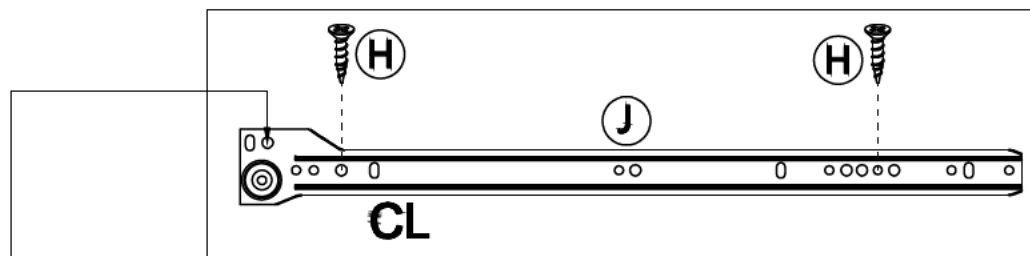
(H)



6 pcs

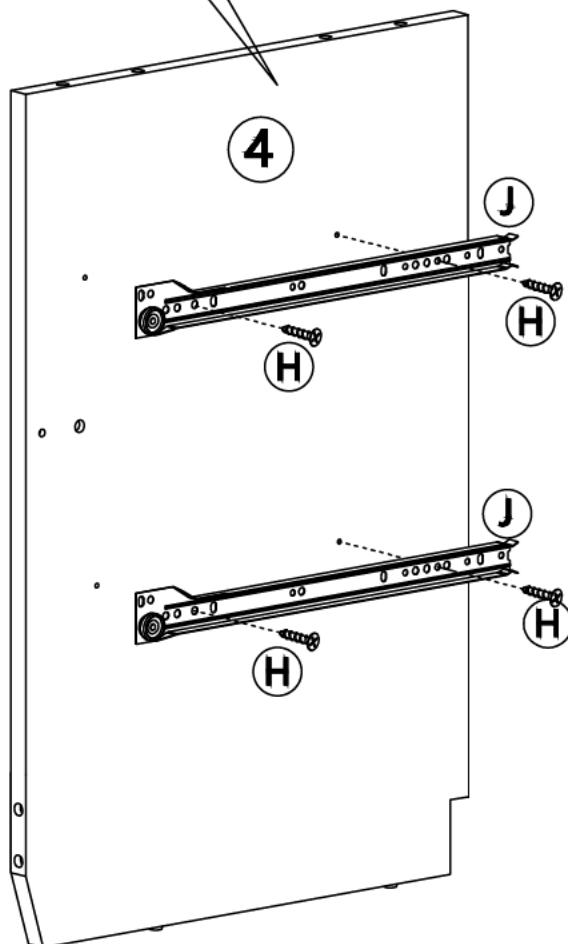
NOTE:When you screw the screws, please refer to the illustration carefully to make sure that the slide screws correspond to the position.

Fix the slide first: The LOWER row of holes of the slide has two corresponding pre-drilled holes. Start with the screw in the THIRD hole in the BELOW row holes of the slide closest to drawer face



The second hole in the UPPER row holes of the slide is without the corresponding pre-drilled hole, after fix the position of the slide and then screw on.

Install two slides on the right side of board #4.



Consistent with the previous steps, all the white wheel should be on the same side as the two HORIZONTAL adjacent small holes in the middle. The white wheel is on the lower side.

Step 3-2

(J)

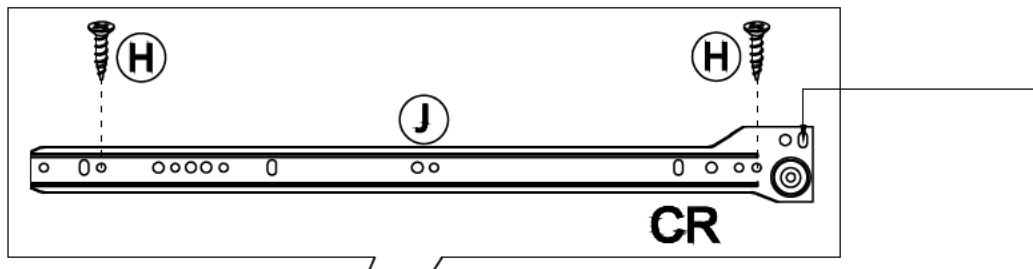
CR 2pcs

(H)

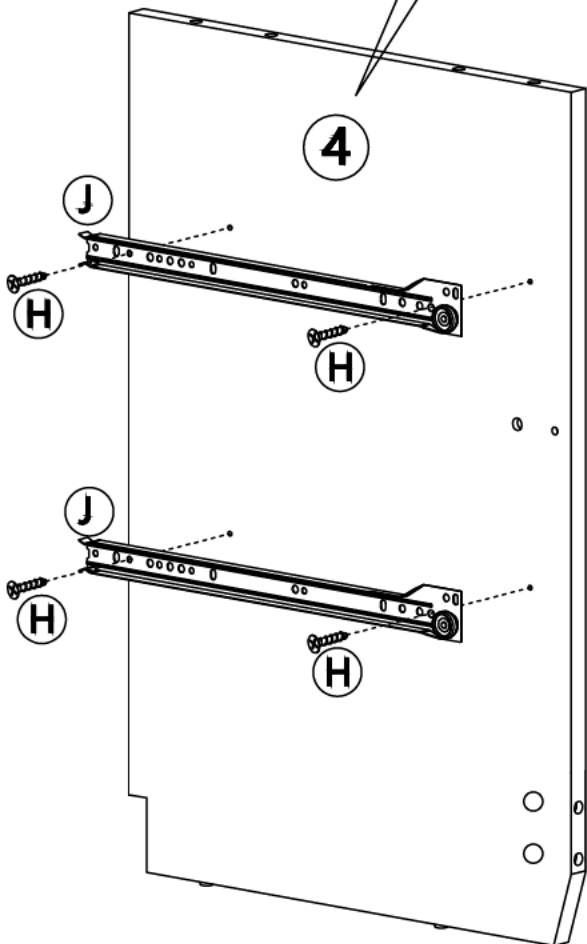
6 pcs

NOTE:When you screw the screws, please refer to the illustration carefully to make sure that the slide screws correspond to the position.

Fix the slide first: The LOWER row of holes of the slide has two corresponding pre-drilled holes. Start with the screw in the FIRST hole in the BELOW row holes of the slide closest to drawer face



The first hole in the UPPER row holes of the slide is without the corresponding pre-drilled hole, after fix the position of the slide and then screw on.

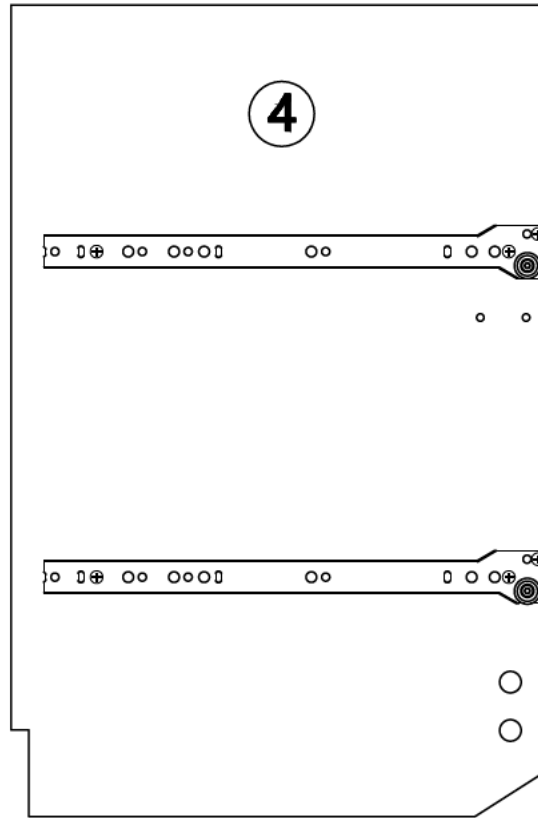


Then install two slides on the left side of board #4.

Consistent with the previous steps, all the white wheel should be on the same side as the two HORIZONTAL adjacent small holes in the middle. The white wheel is on the lower side.

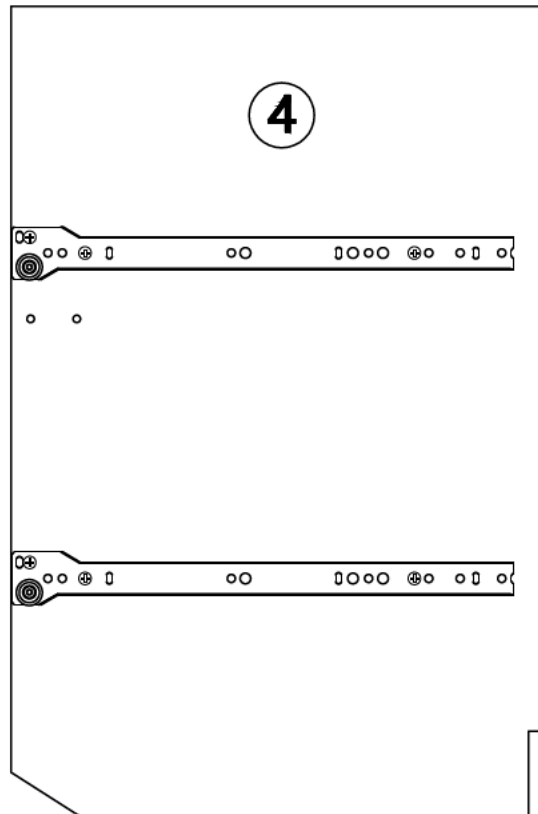
Step 3-3

Left side of board #4



Right side of board #4

Note that the screws in front of the right slides are screwed into the third hole.



If you are confused, you can also refer to the position of this slide in the wood board

Step 4-1

ⓐ



3 pcs

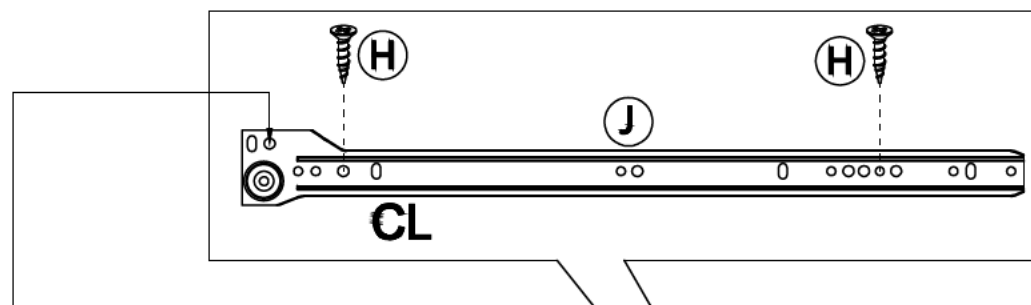
ⓓ



6 pcs

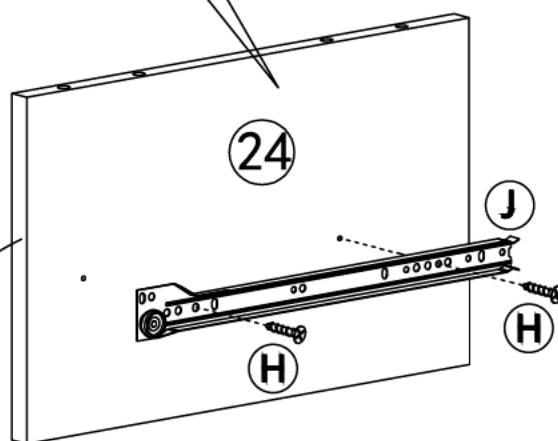
NOTE:When you screw the screws, please refer to the illustration carefully to make sure that the slide screws correspond to the position.

Fix the slide first: The LOWER row of holes of the slide has two corresponding pre-drilled holes. Start with the screw in the THIRD hole in the BELOW row holes of the slide closest to drawer face



The second hole in the UPPER row holes of the slide is without the corresponding pre-drilled hole, after fix the position of the slide and then screw on.

The side with the smooth edgebanding is in the front



X3

Install first slide rail on the right side of board #24.

Step 4-2

ⓐ

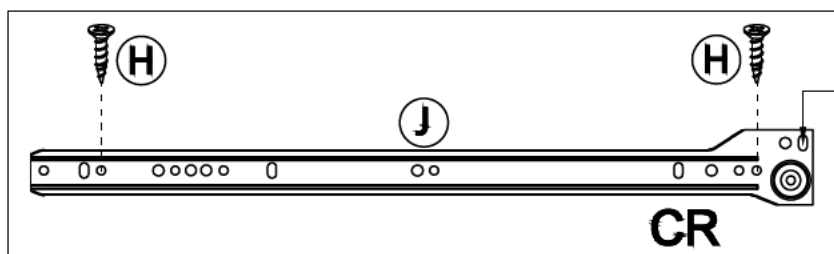
CR 3 pcs

ⓓ

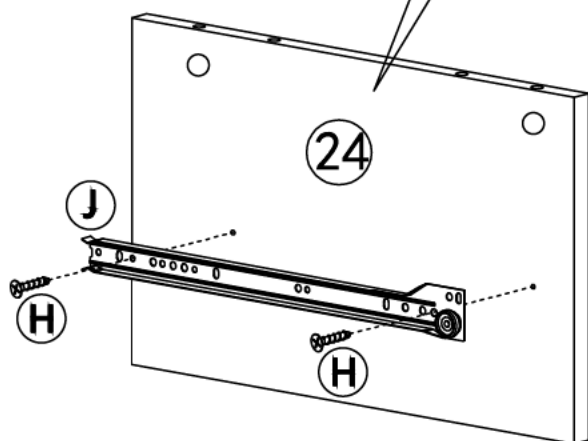
6 pcs

NOTE:When you screw the screws, please refer to the illustration carefully to make sure that the slide screws correspond to the position.

Fix the slide first: The LOWER row of holes of the slide has two corresponding pre-drilled holes. Start with the screw in the FIRST hole in the BELOW row holes of the slide closest to drawer face



The first hole in the UPPER row holes of the slide is without the corresponding pre-drilled hole, after fix the position of the slide and then screw on.

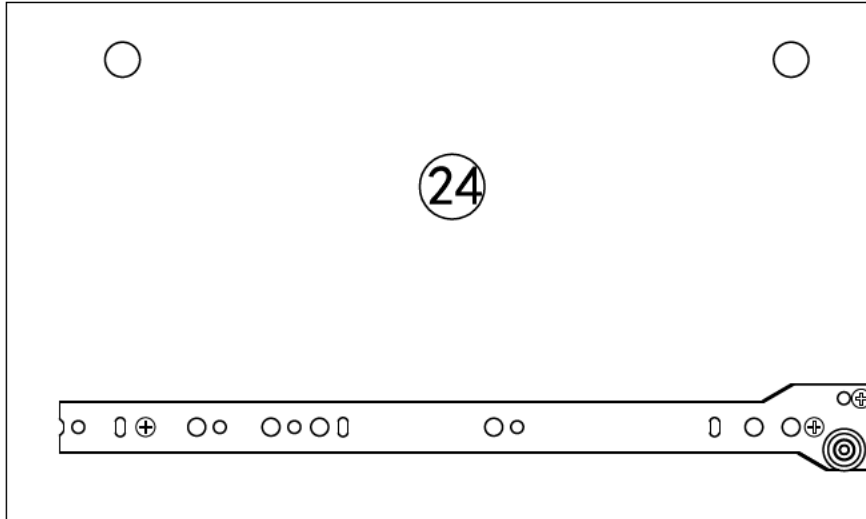


X3

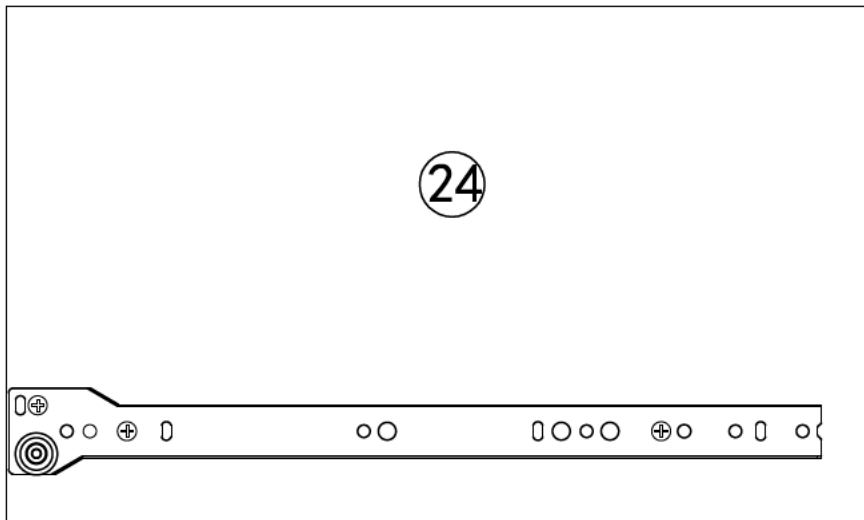
Install second slide rail on the left side of board #24.

Step 4-3

Left side of board #24



Right side of board #24



The left and right slides are oriented in the same direction.

If you are confused, you can also refer to the position of this slide in the wood board

Step 5

A

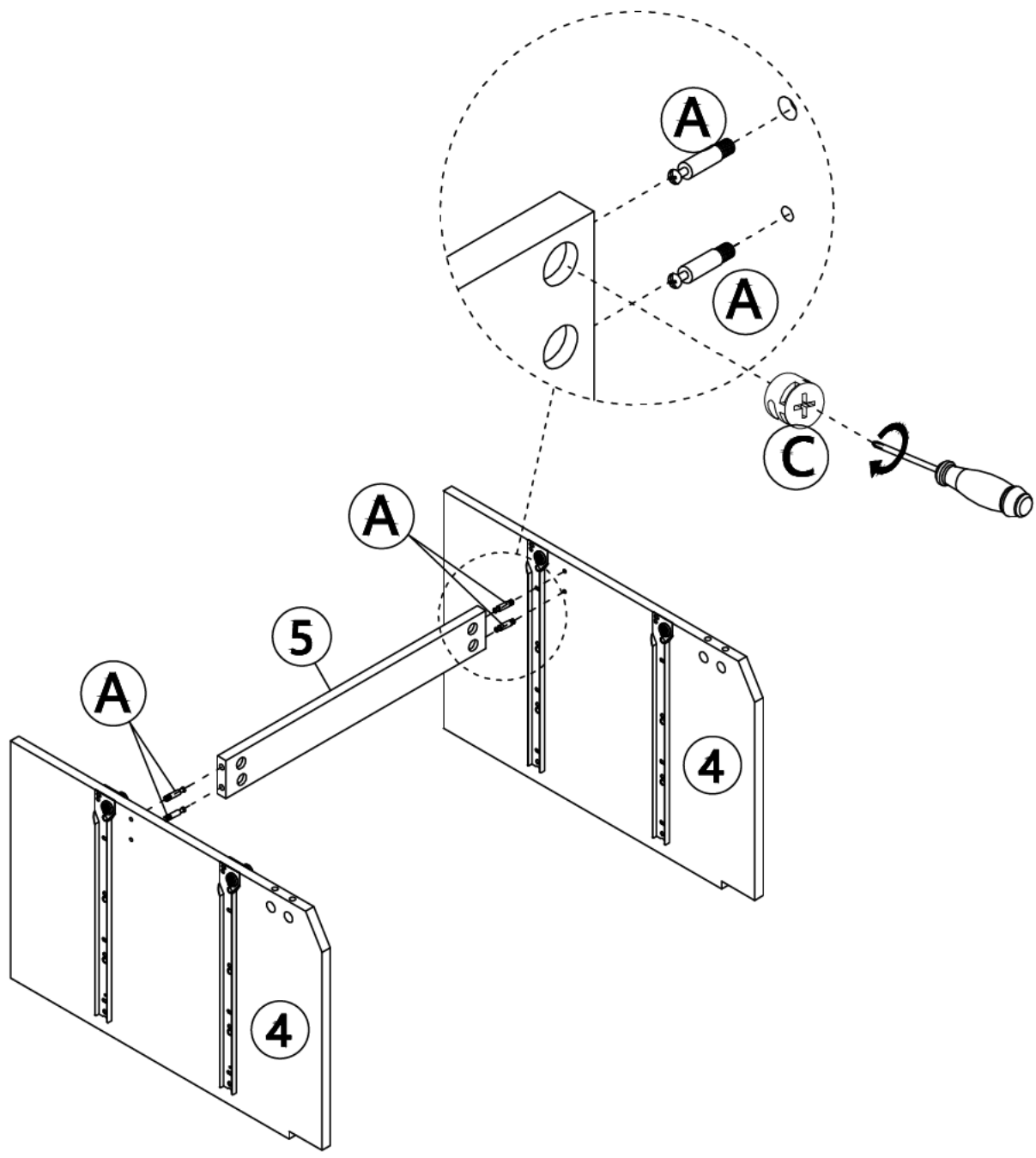


4 pcs

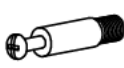
C



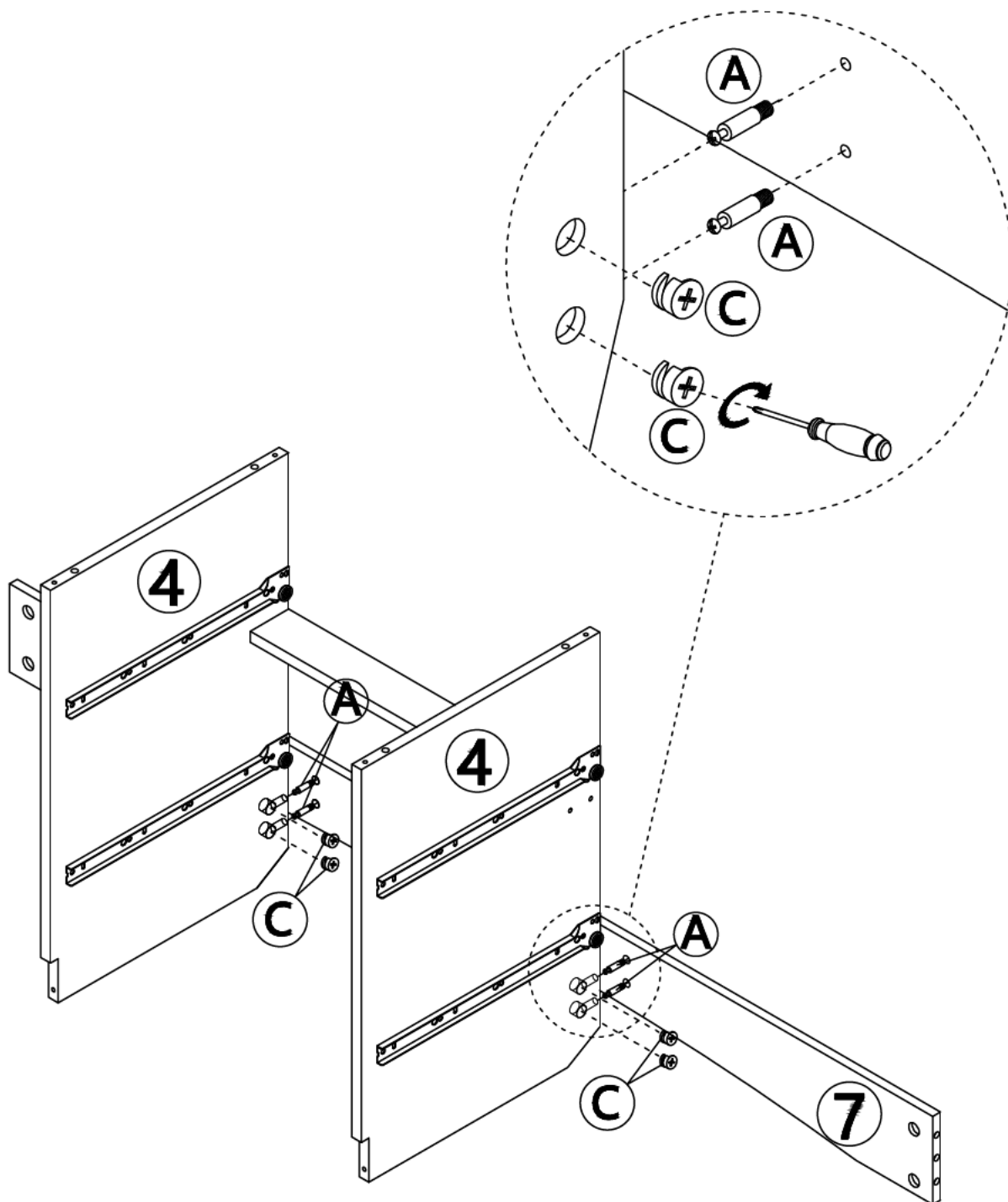
4 pcs



Step 6


A  4 pcs

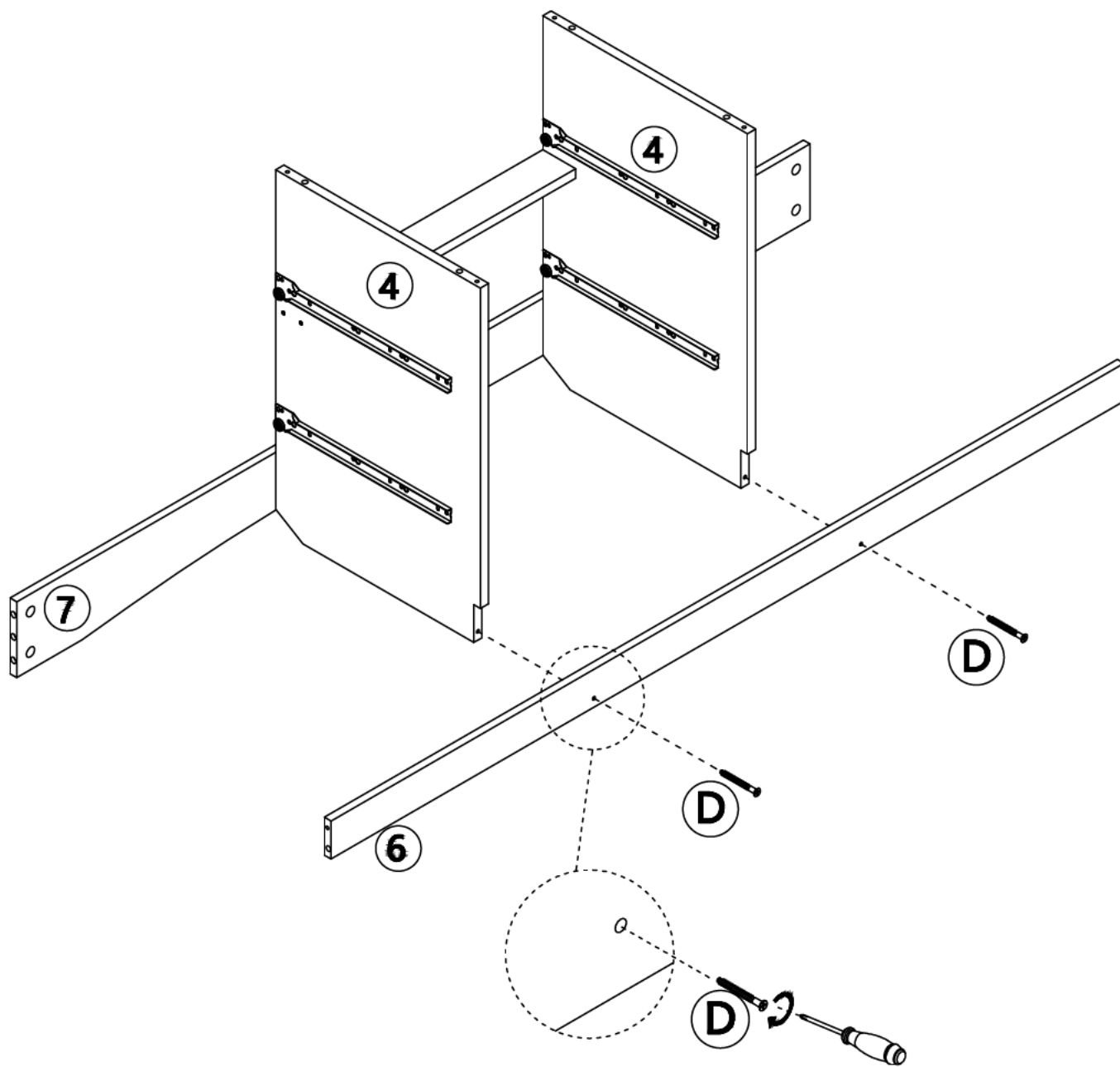
C  4 pcs




Screw A on plate 7

Step 7

ⓓ  2 pcs

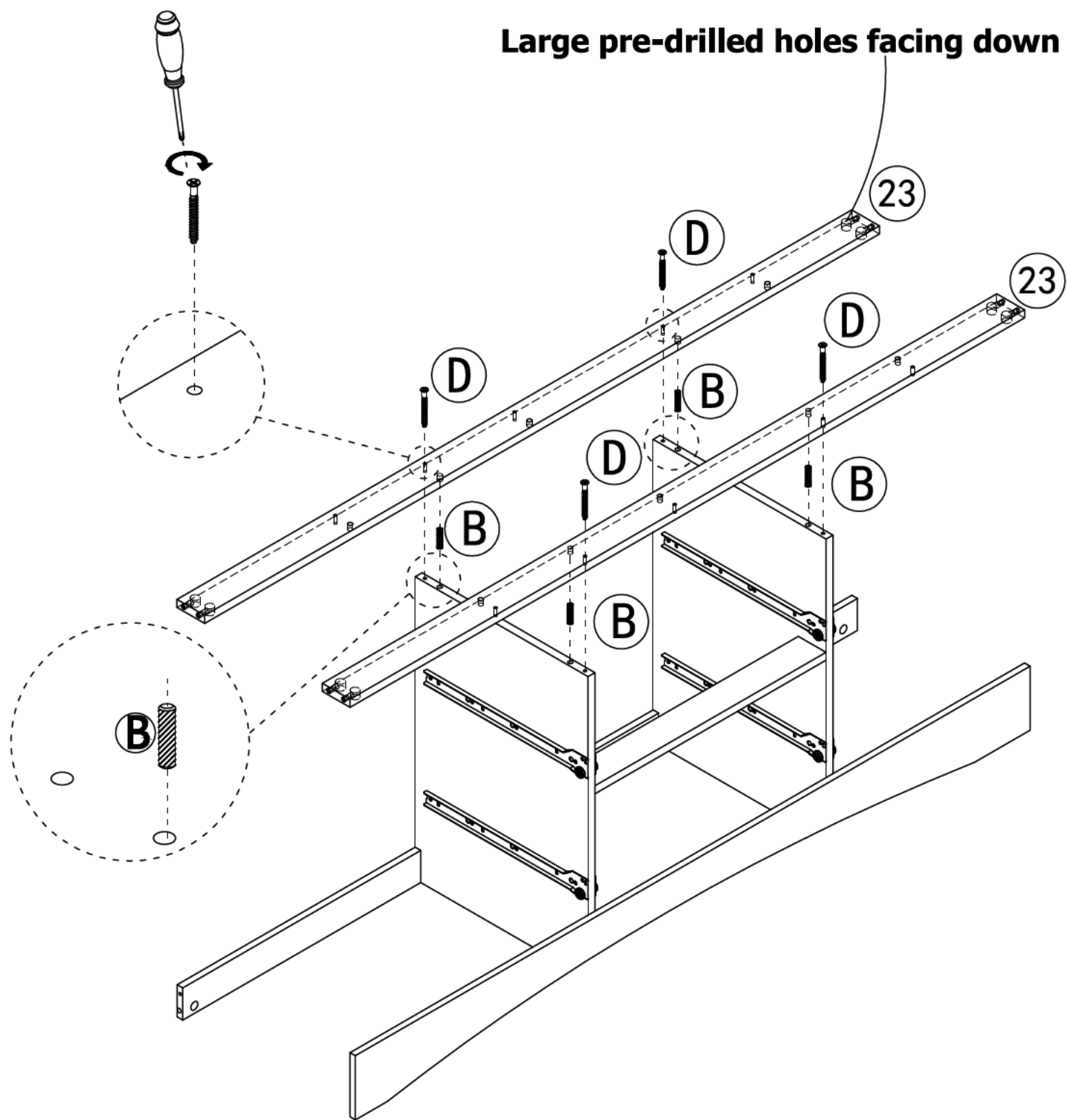


Step 8

D  4pcs

B  4pcs

Large pre-drilled holes facing down



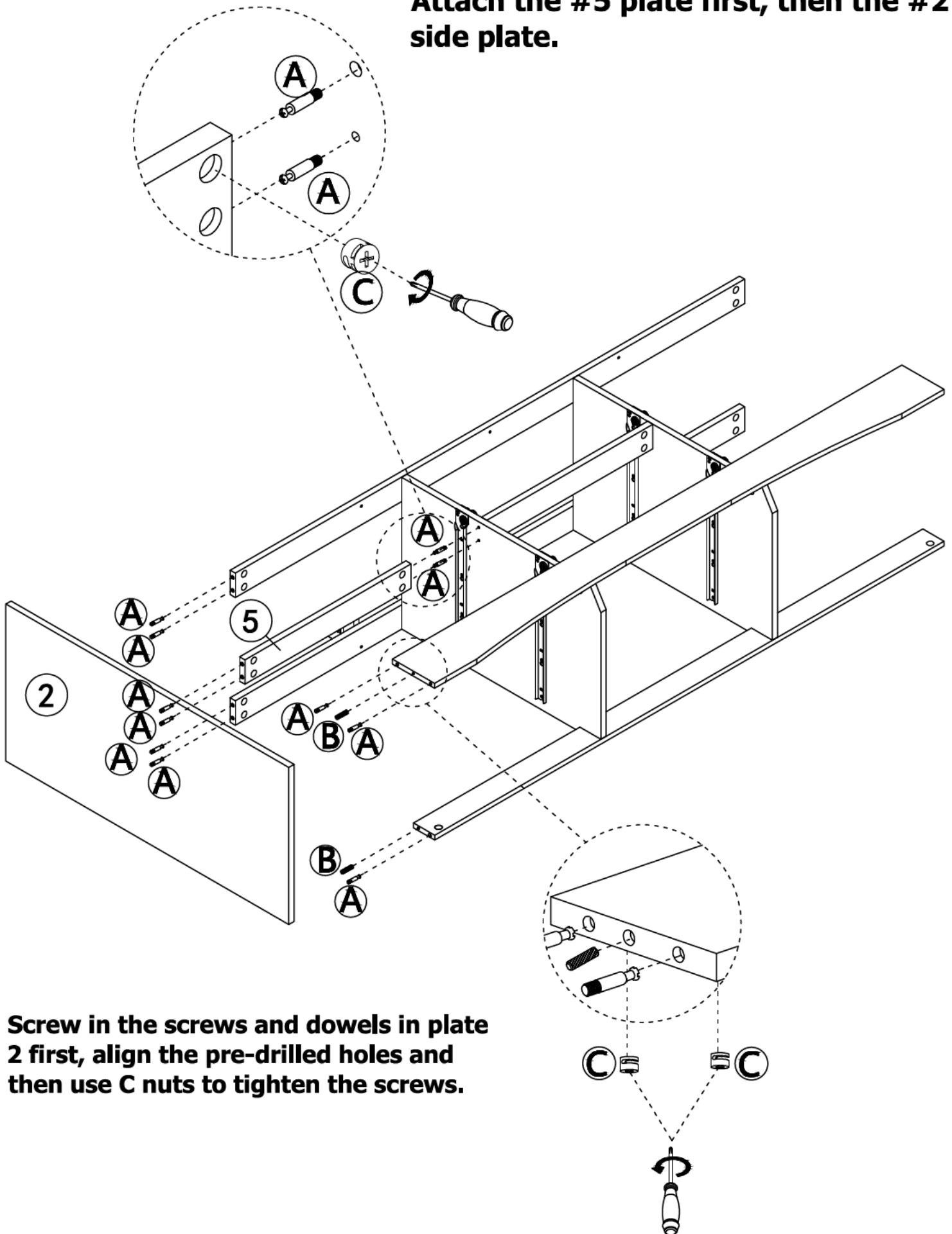
Step 9

A  11pcs


B  2pcs

C  11pcs

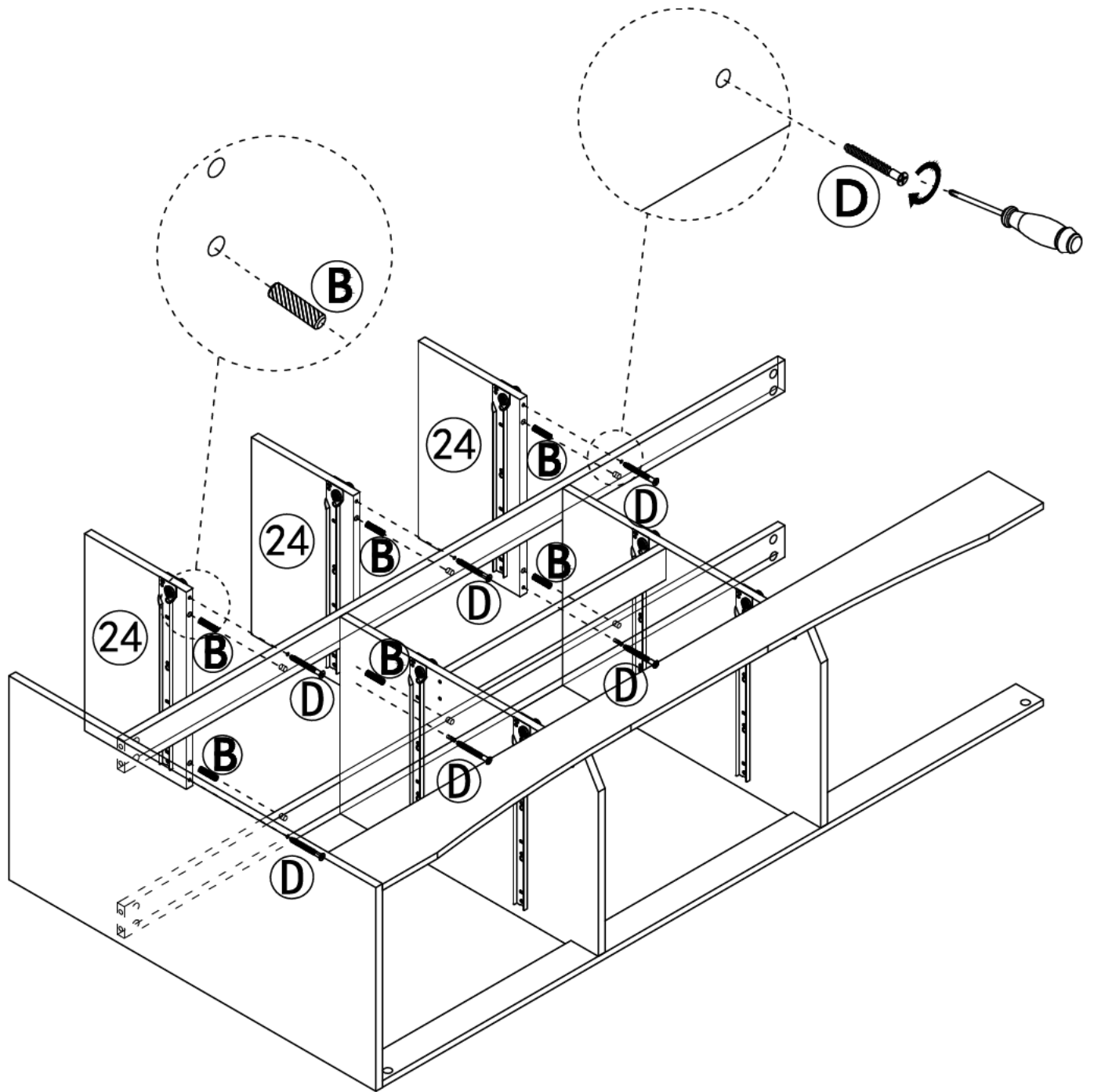
Attach the #5 plate first, then the #2 side plate.




Step 10

D  6 pcs

B  6 pcs



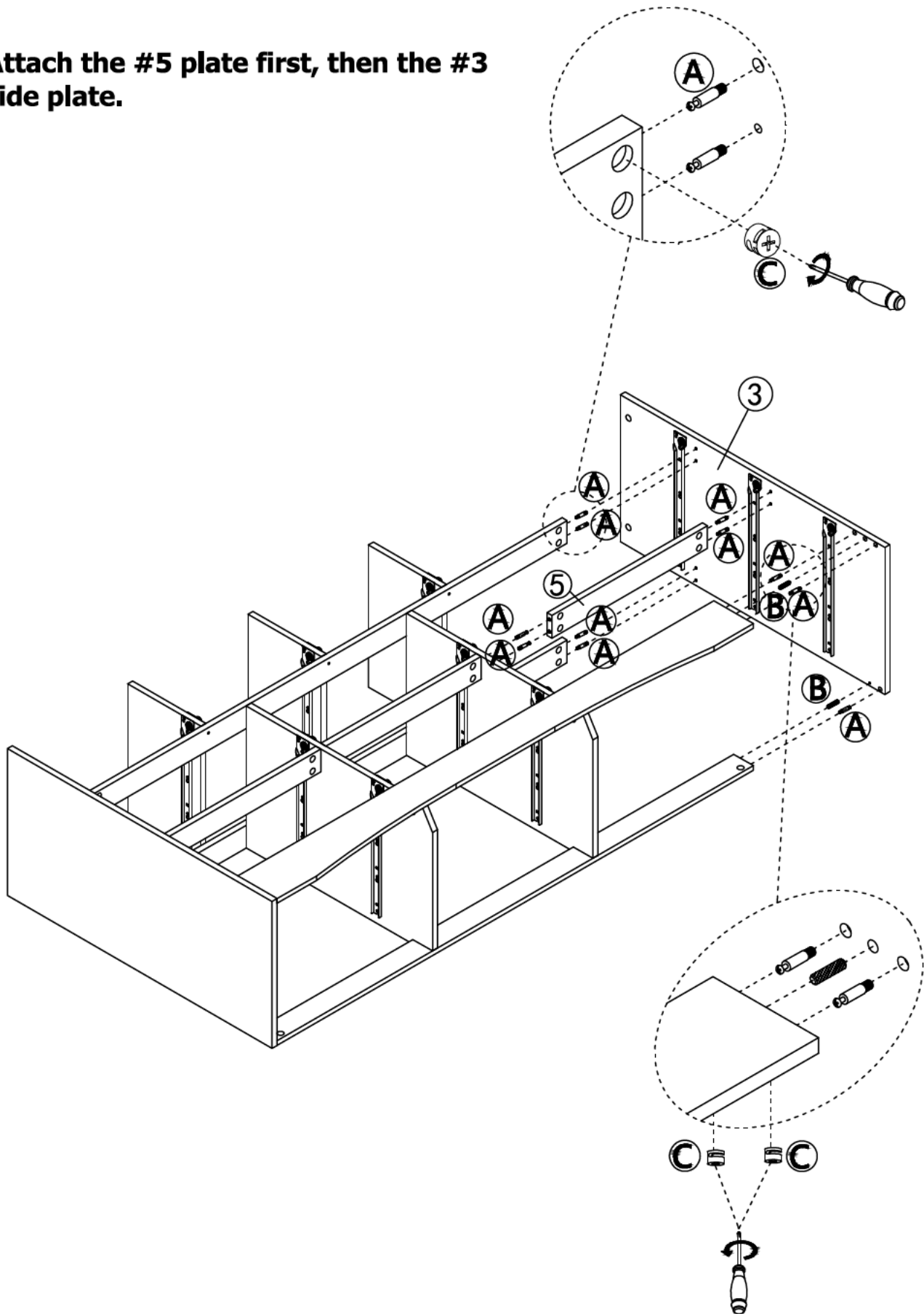
Step 11

A  11pcs

B  2pcs

C  11pcs

Attach the #5 plate first, then the #3 side plate.

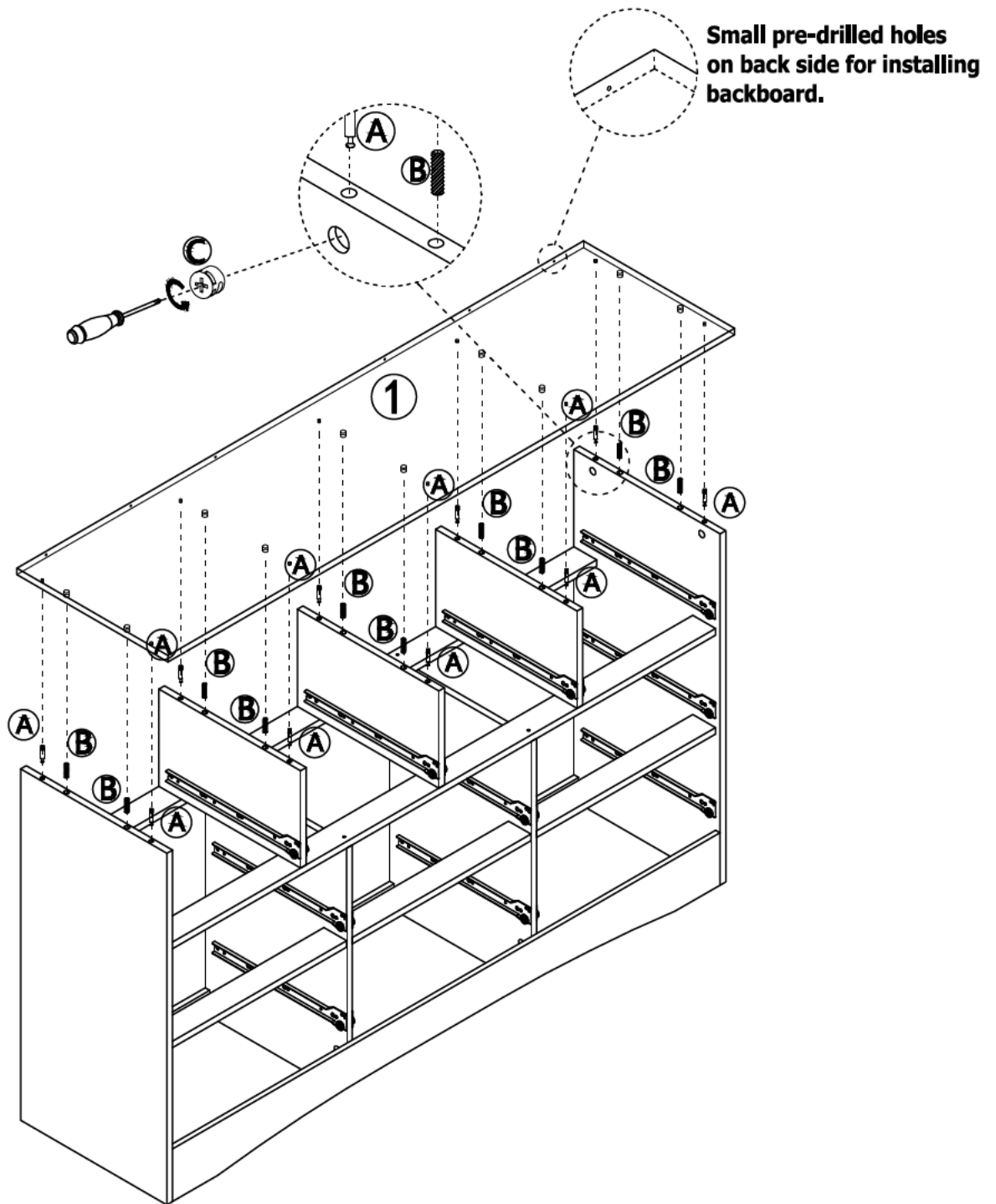


Step 12

A  10pcs

B  10pcs

C  10pcs



When assembling ① board. Insert A sticks in the ① board first and insert B sticks in ②③④ board, then align all the pre-drilled holes and put them together gently. Finally use the C nut to tighten with A.

Step 13

Ⓛ

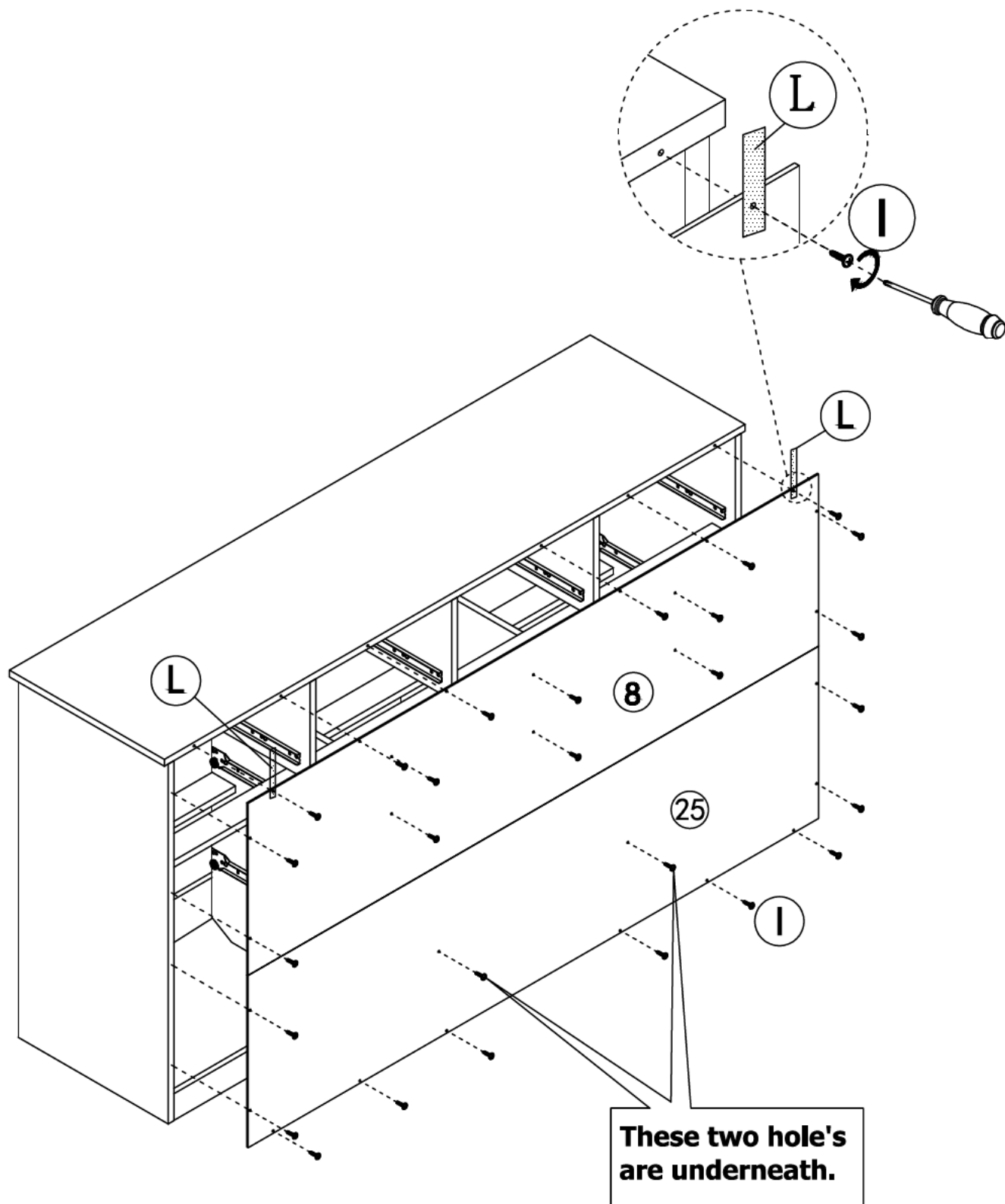


28 pcs

Ⓛ




2 pcs

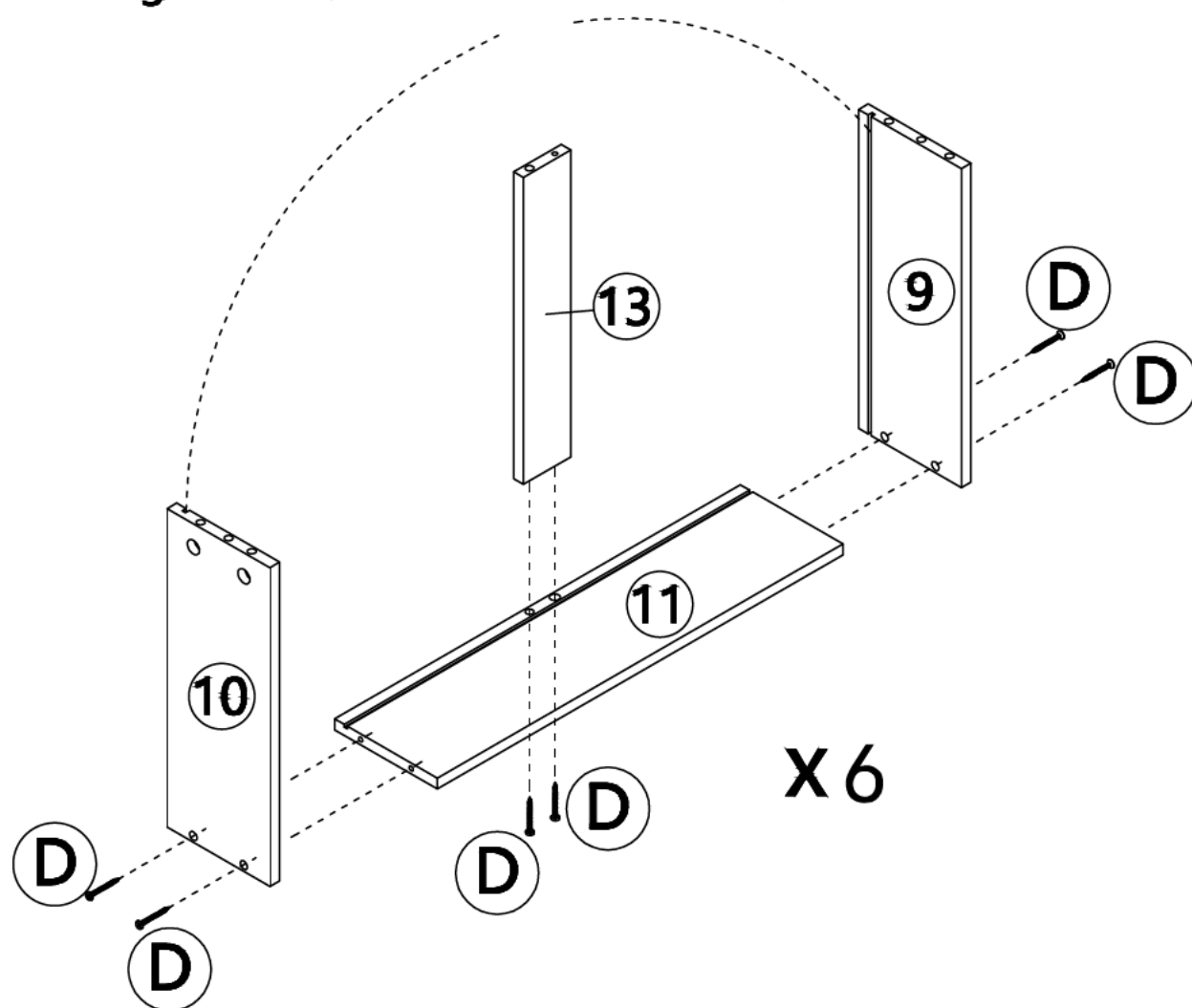


Let's put the chest down first, then tighten the screws from top to bottom, be careful not to invert board #8.

Step 14

D  36pcs


The long groove is used to install the bottom plate, make sure to take note of installing the grooves of these boards on the same side.



Start assembling the six large drawers

Step 15

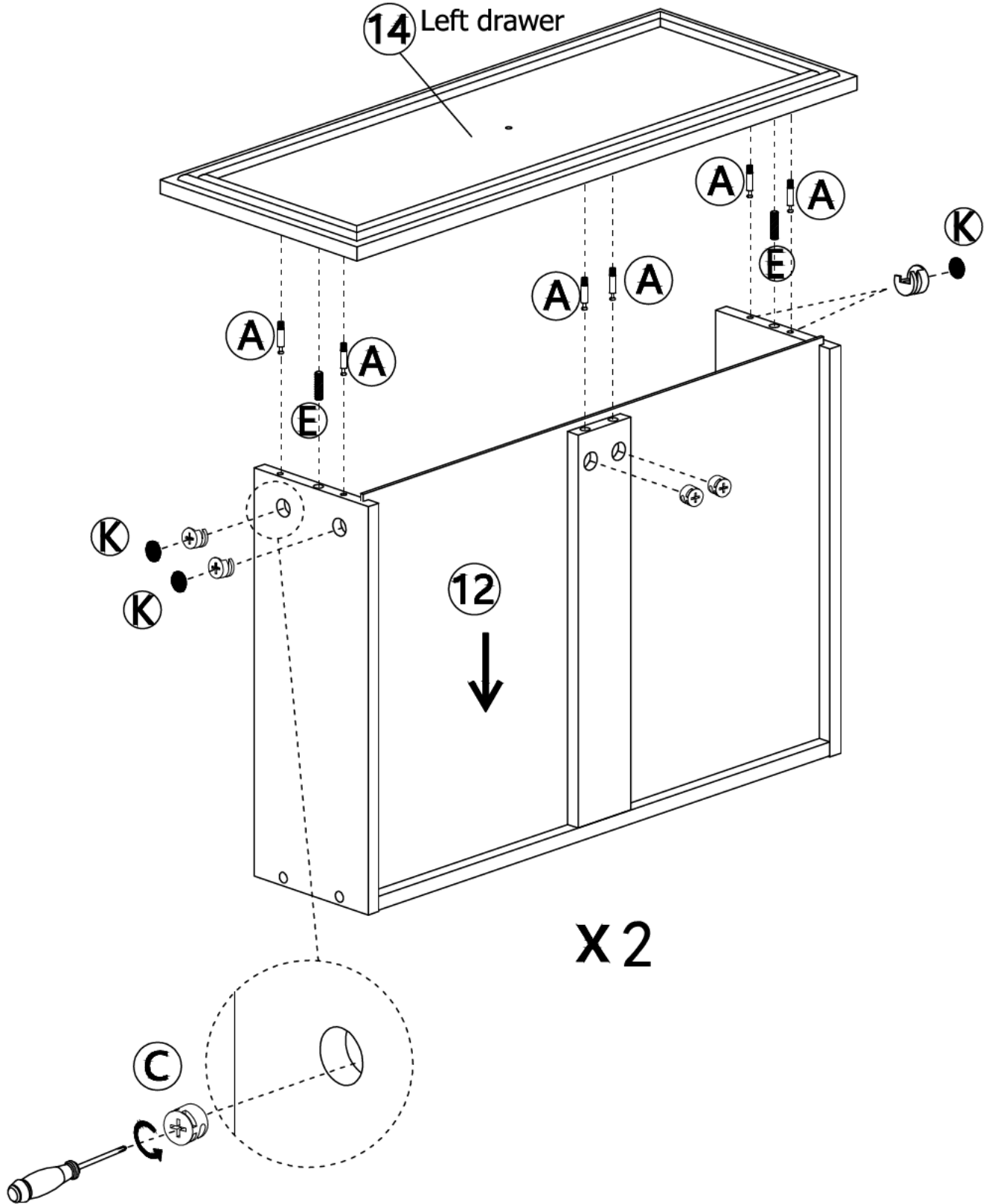
(A)  12pcs

(C)  12pcs

(E)  4pcs

Note that the left drawer 14 is not the same as the middle drawer 15 and the right drawer 16, placing it in the wrong position will result in the gap between the drawers becoming larger and the drawers not working and falling out.

(K)  8pcs




Place bottom wood panel to along the slot of **(9)** **(10)** first, and assemble drawer plank.

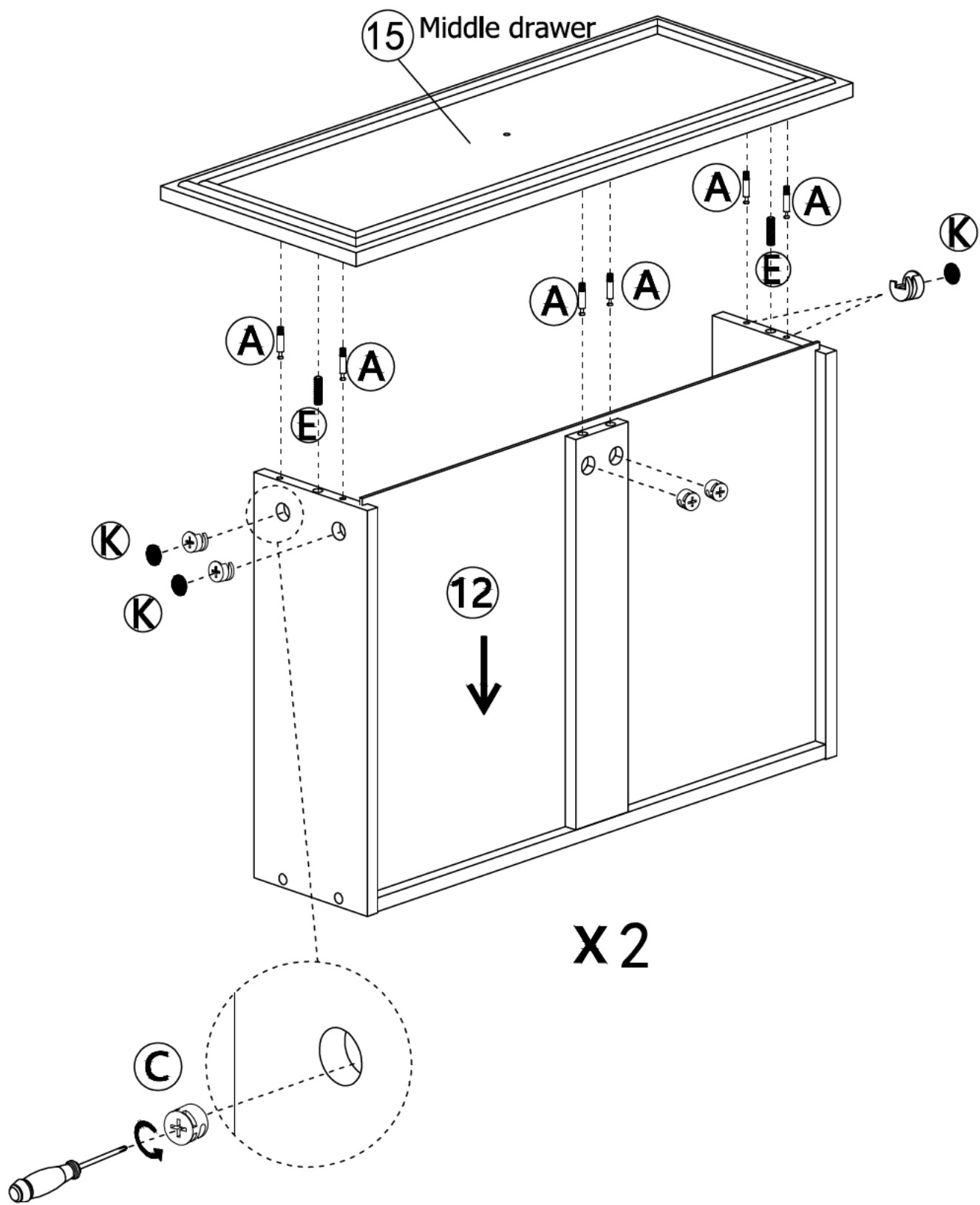
Step 16

A  12pcs

C  12pcs

E  4pcs

K  8pcs

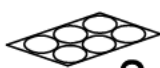


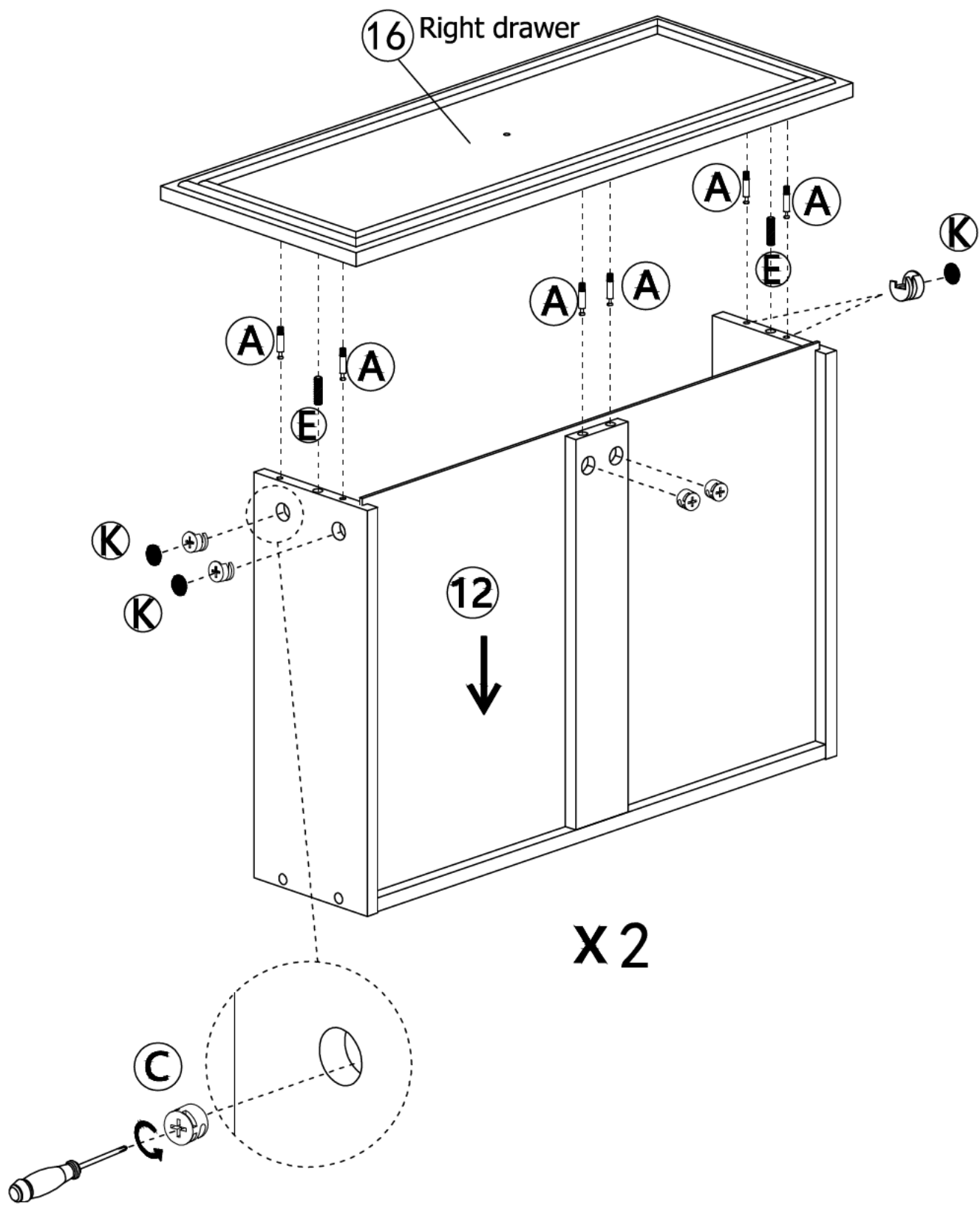
Step 17

A  12pcs

C  12pcs

E  4pcs

K  8pcs



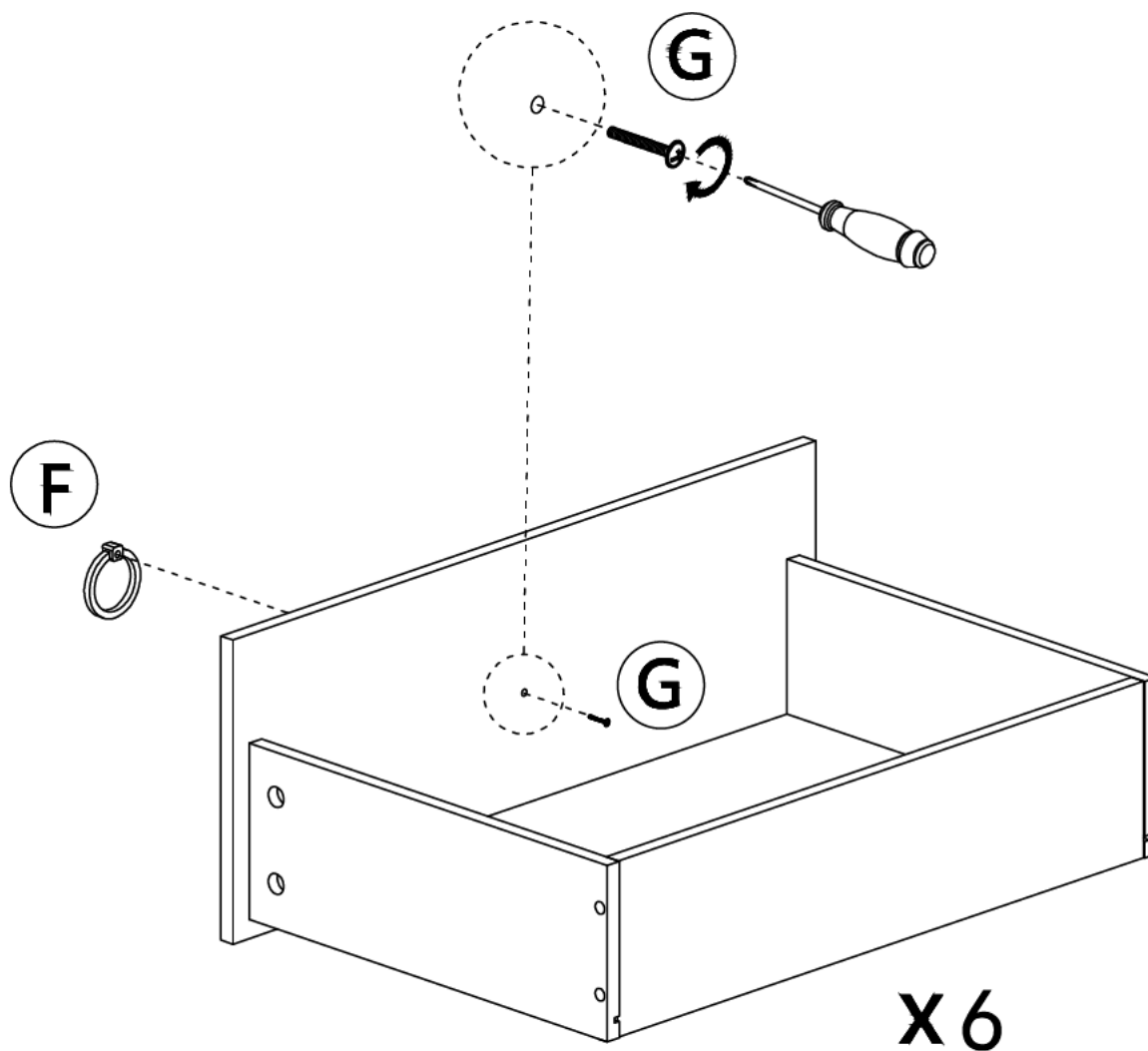
Step 18

(F)

 6 pcs

(G)

 6 pcs



Insert screw G first, then align the pre-drilled holes of the pull, and tighten the screws.

Step 19

(H)



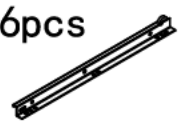
36 pcs

(J)

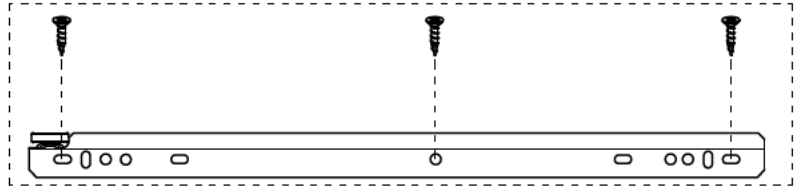


6 pcs

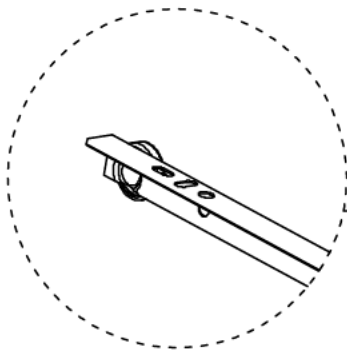
6 pcs



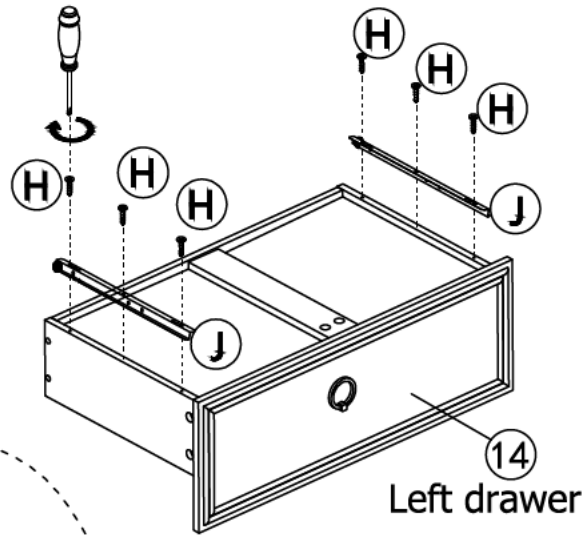
-Install the drawer slides (J) on the drawer side panels (9) & (10) as below shown.



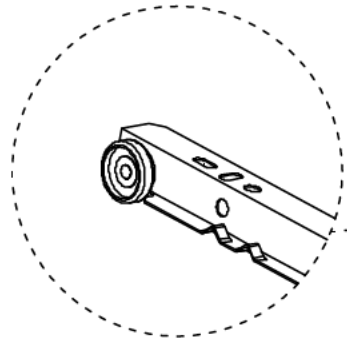
14,15,16 drawers are all different, putting them in the wrong place will cause the drawers not to work, put them in the right place.



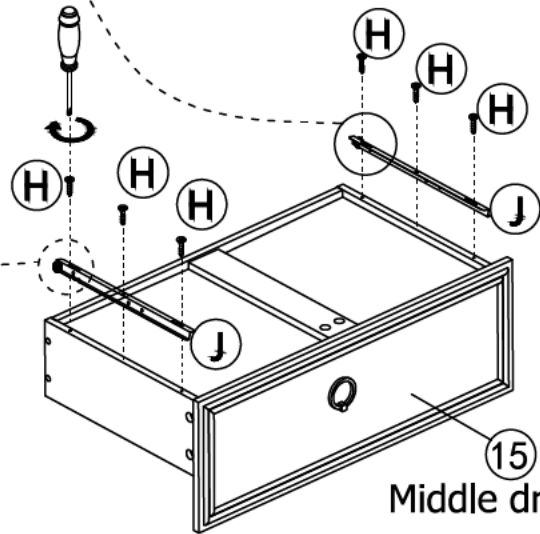
X2



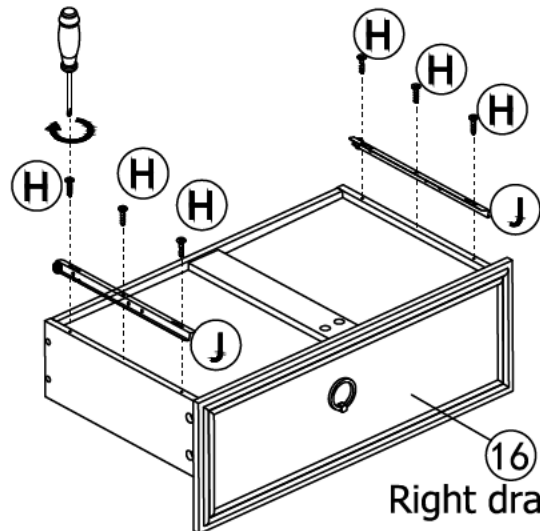
14 Left drawer



X2



15 Middle drawer



16 Right drawer

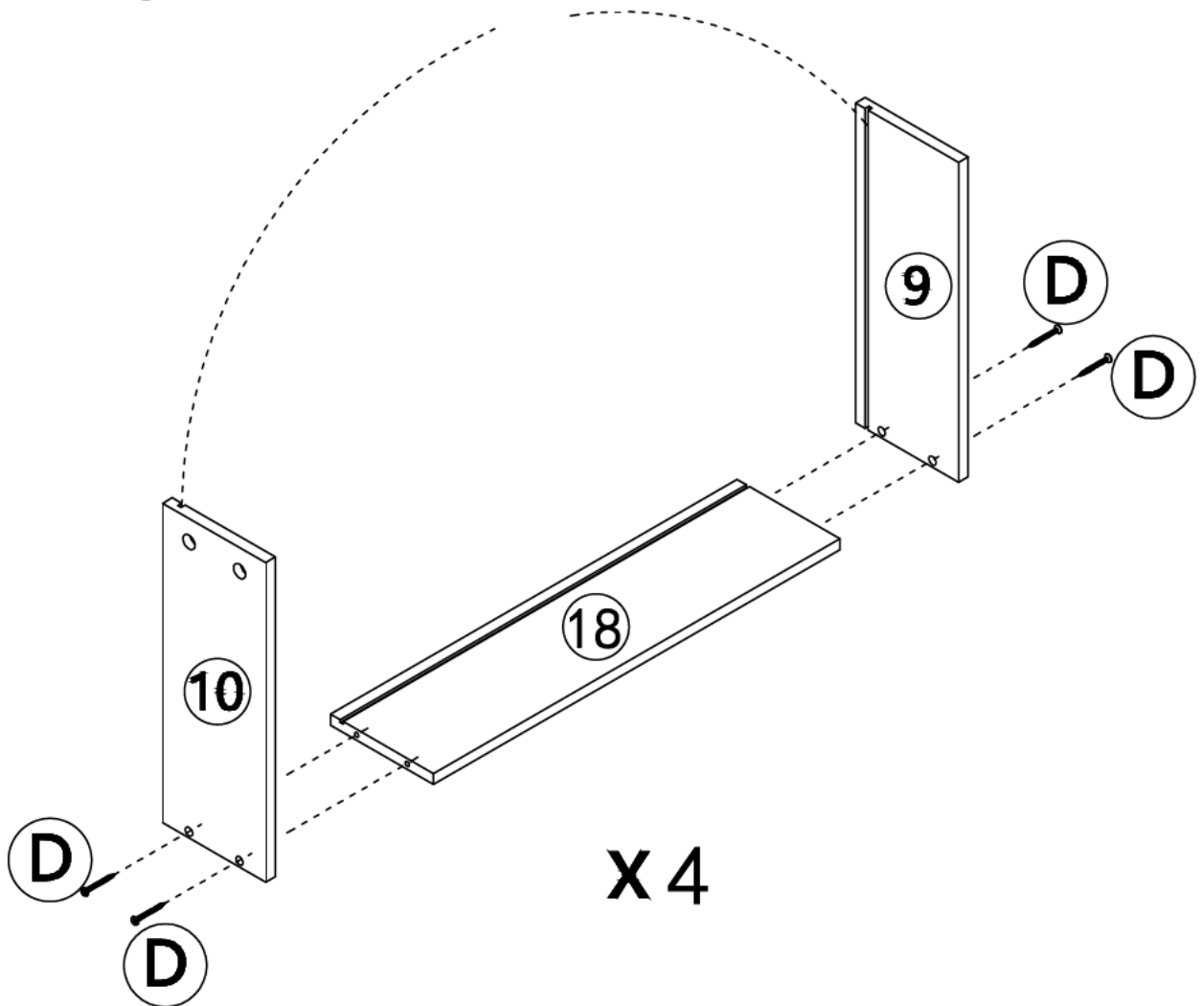
When building it make sure to take note of the drawer slides is the one similar to Z shape. And the white wheels should be installed on the back side. Repeat the previous step to install the remaining drawers.

X2

Step 20

ⓓ — 16pcs

The long groove is used to install the bottom plate, make sure to take note of installing the grooves of these boards on the same side.



Start assembling the four smaller drawers

Step 21

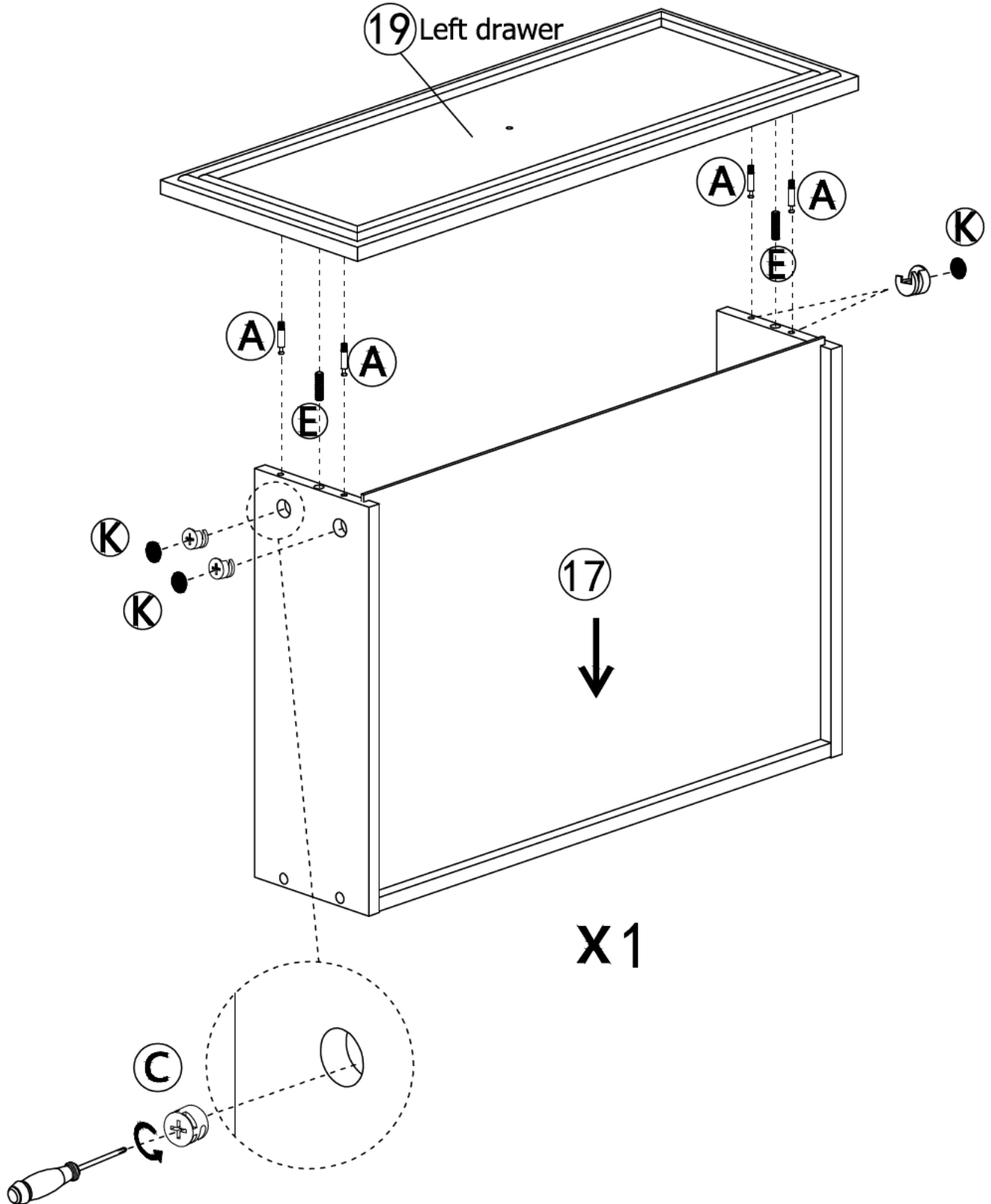
(A)  4pcs

(C)  4pcs

(E)  2pcs


Note that the left drawer 19 is not the same as the middle drawer 20.21 and the right drawer 22, placing it in the wrong position will result in the gap between the drawers becoming larger and the drawers not working and falling out.

(K)  4pcs



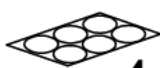
Place bottom wood panel to along the slot of (9) (10) first, and assemble drawer plank.

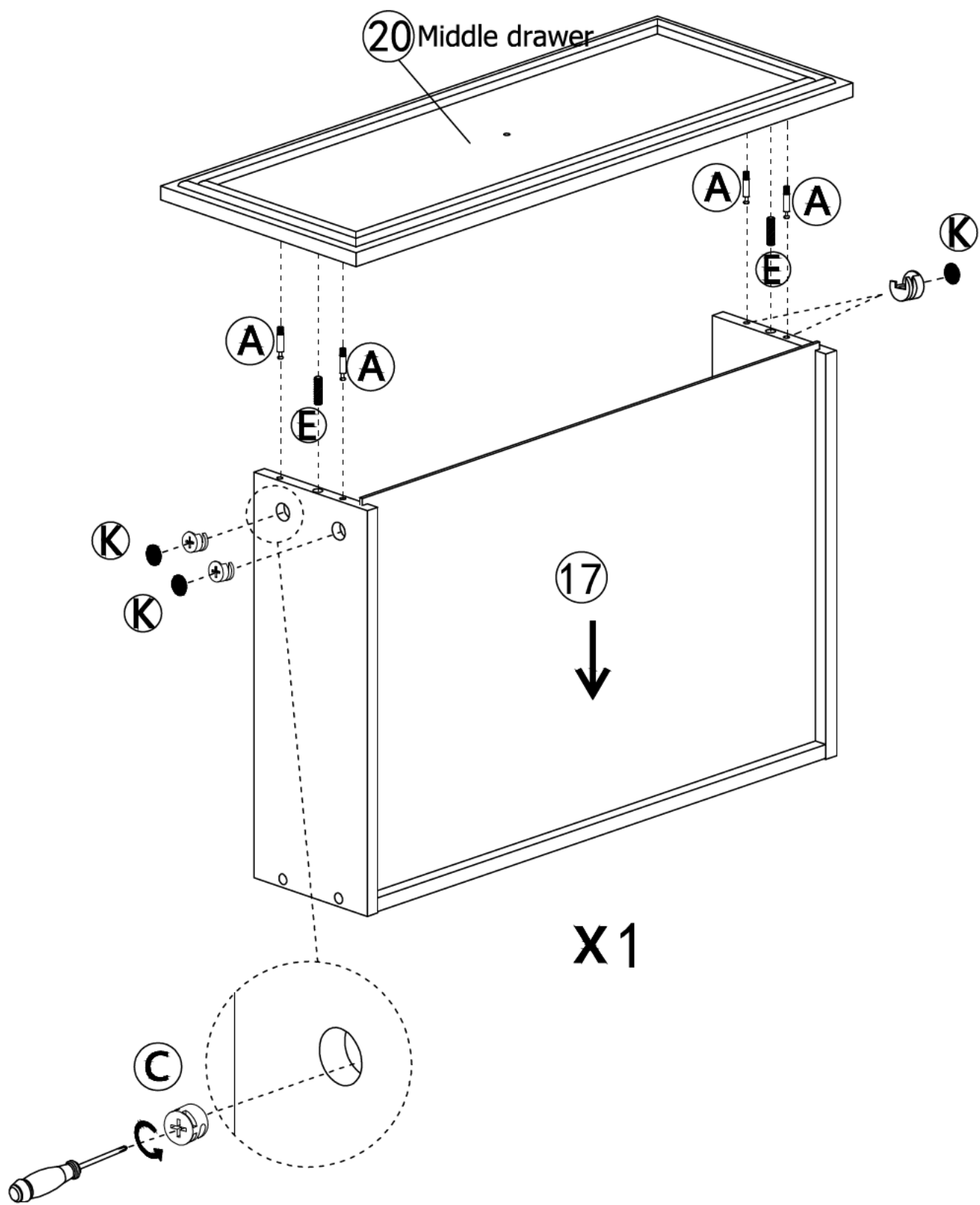
Step 22

A  4pcs


C  4pcs

E  2pcs

K  4pcs




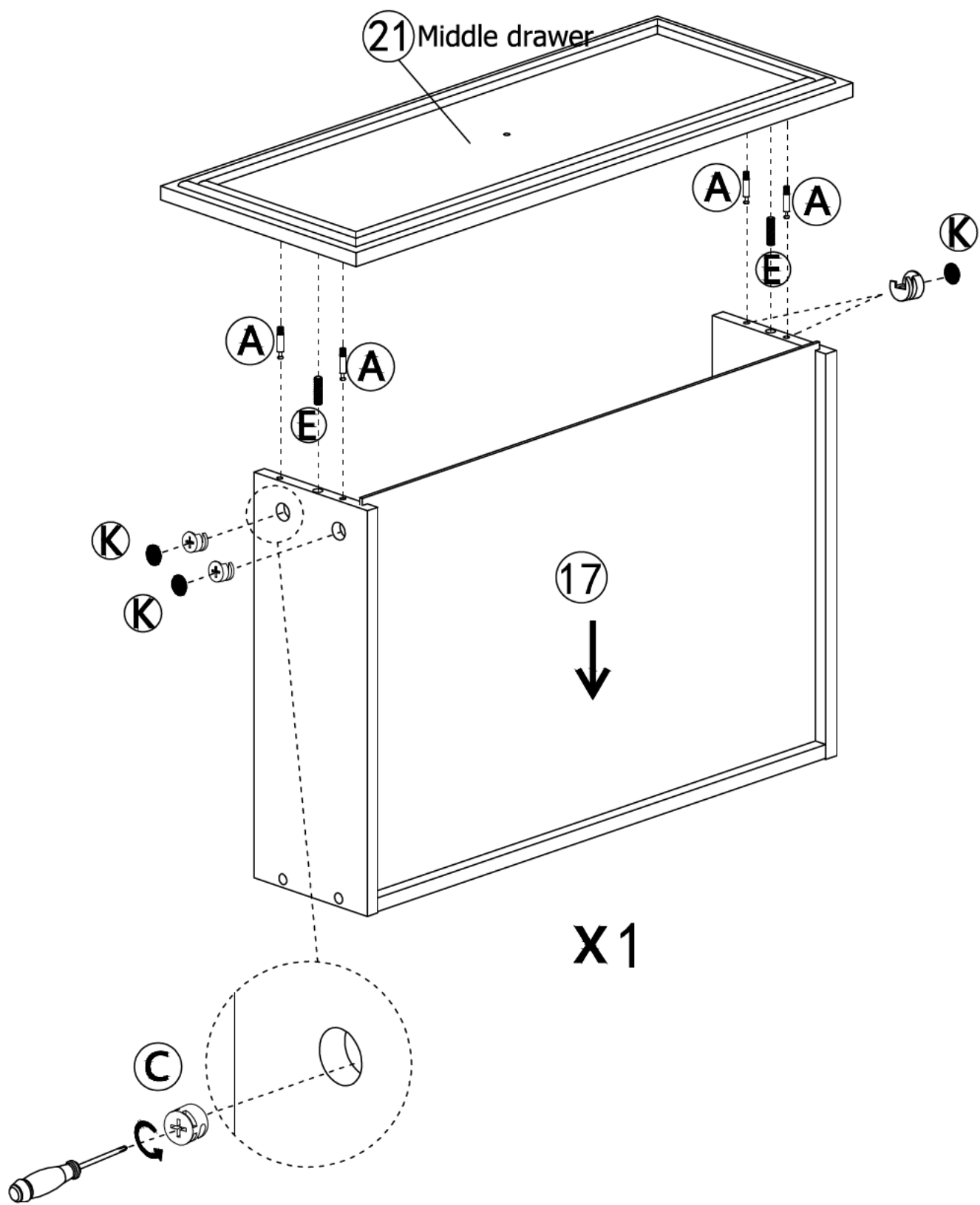
Step 23

A  4pcs

C  4pcs


E  2pcs

K  4pcs




X1

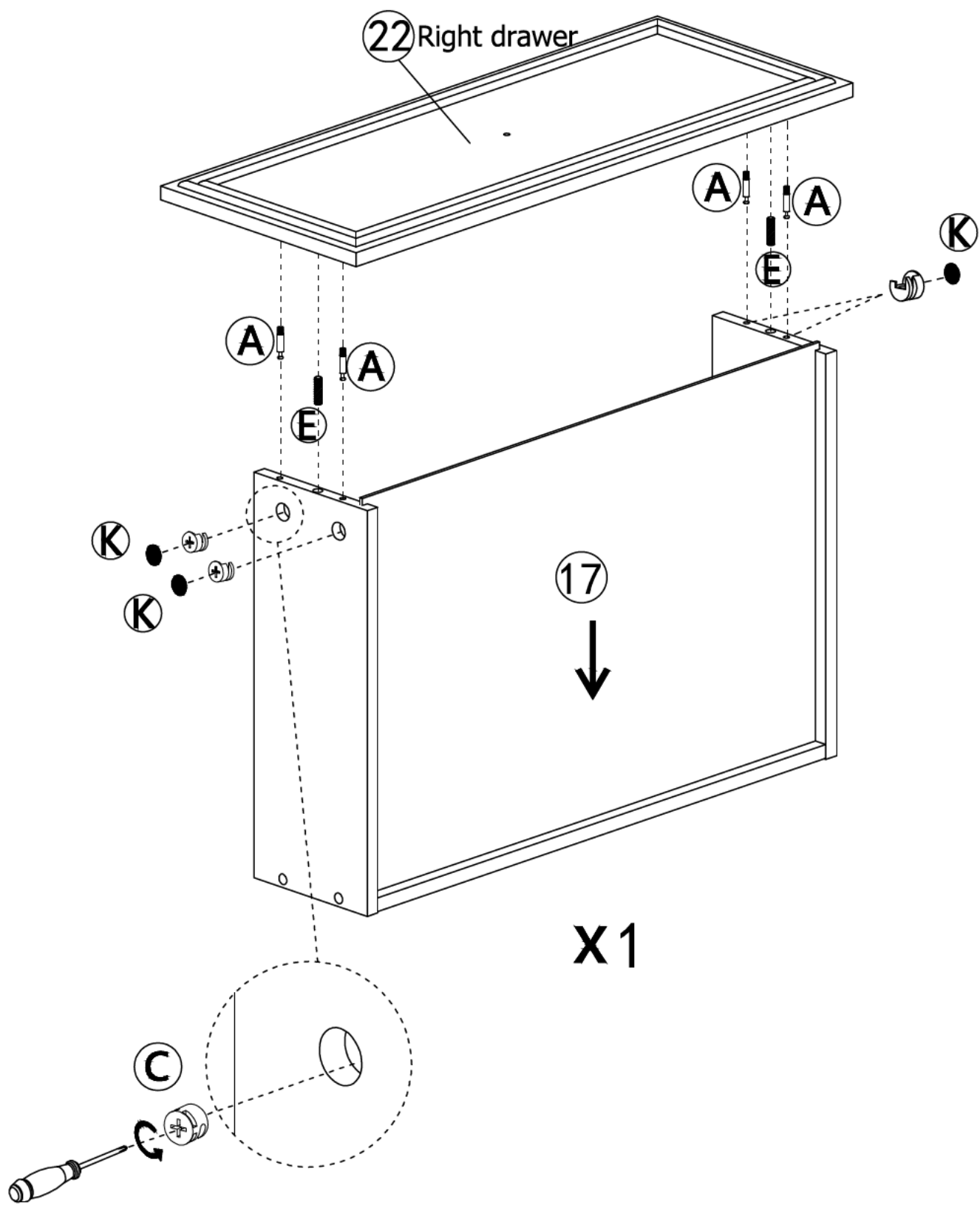
Step 24

A  4pcs

C  4pcs

E  2pcs

K  4pcs



X1

Step 25

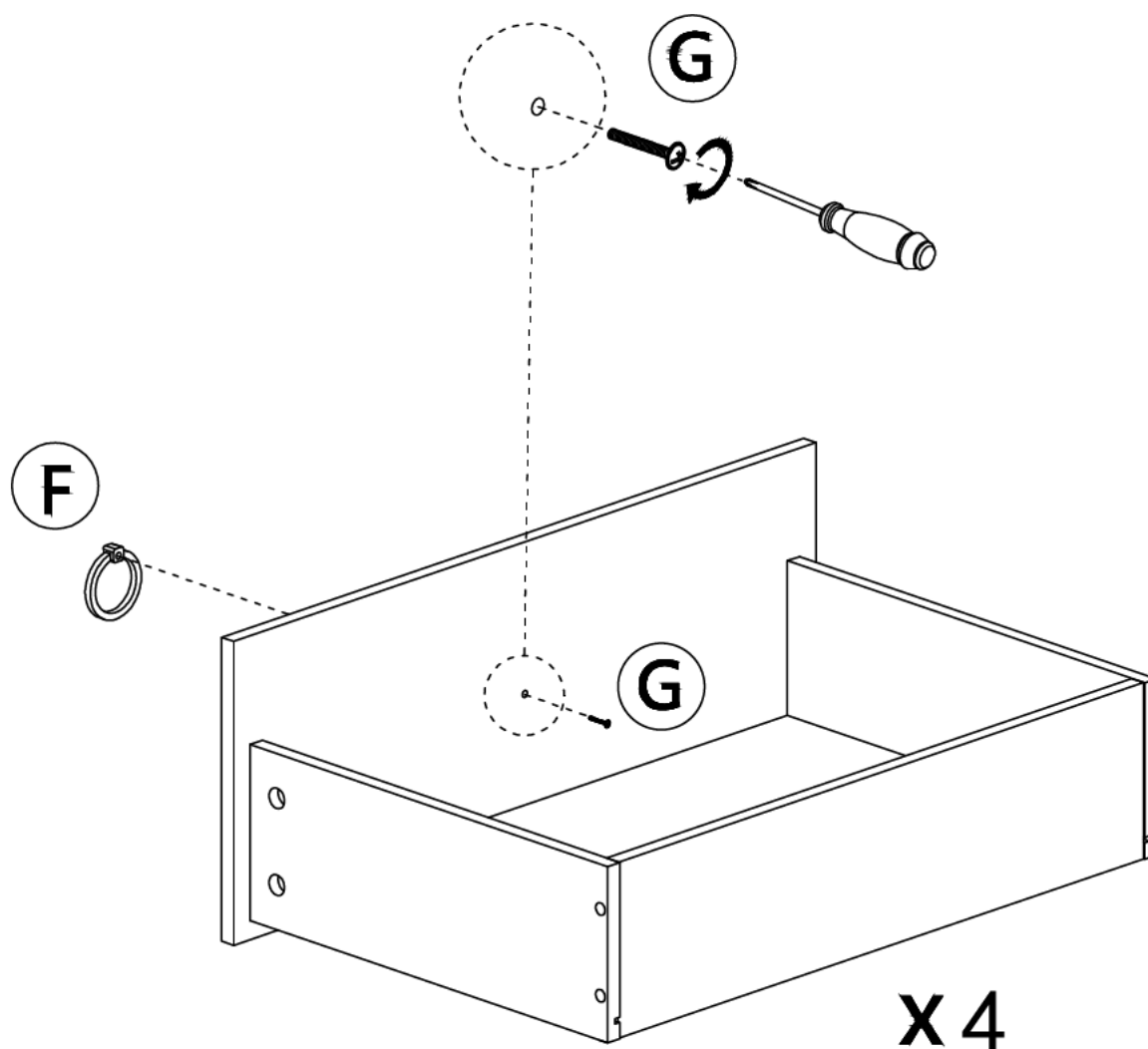
(F)

 4 pcs

(G)



4 pcs



Insert screw G first, then align the pre-drilled holes of the pull, and tighten the screws.

Step 26

(H)

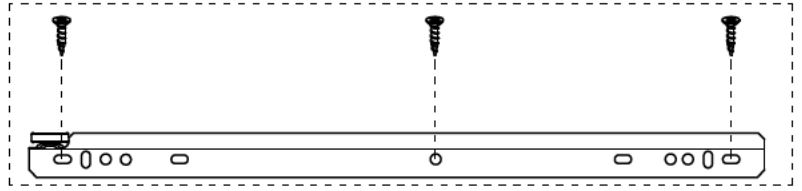
24 pcs

(J)

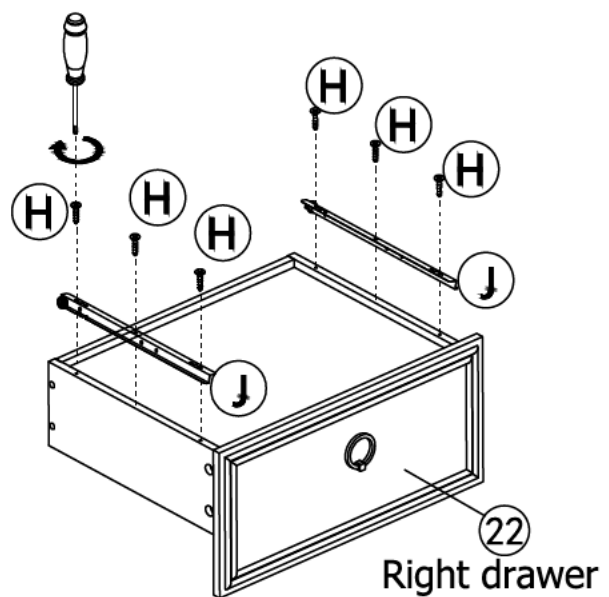
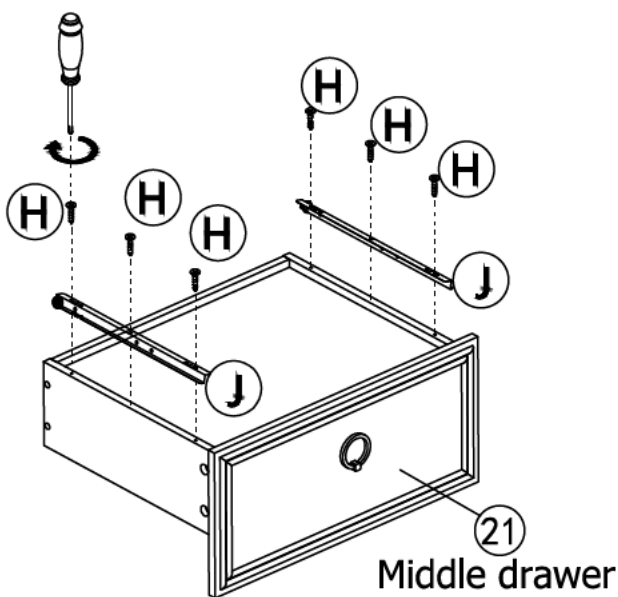
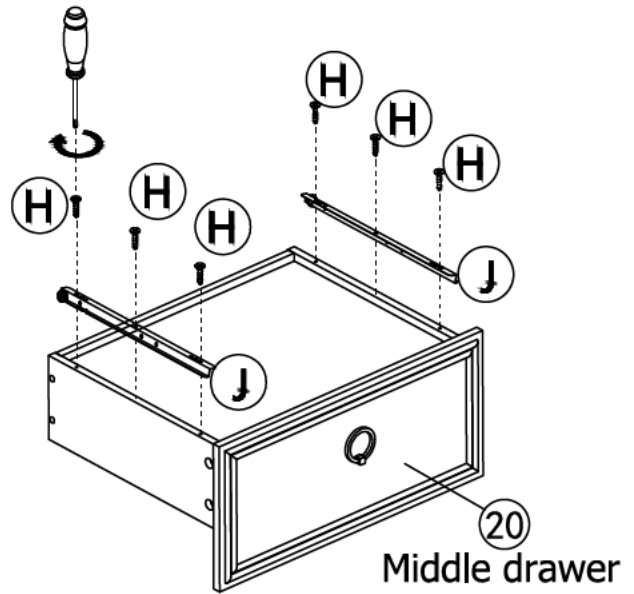
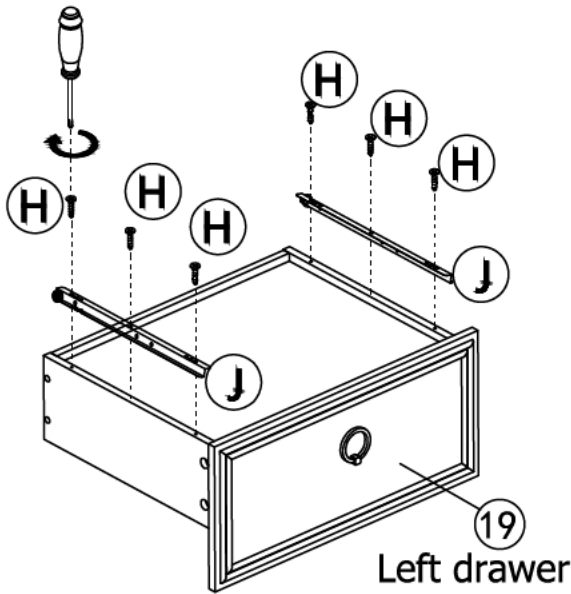
4 pcs

4 pcs

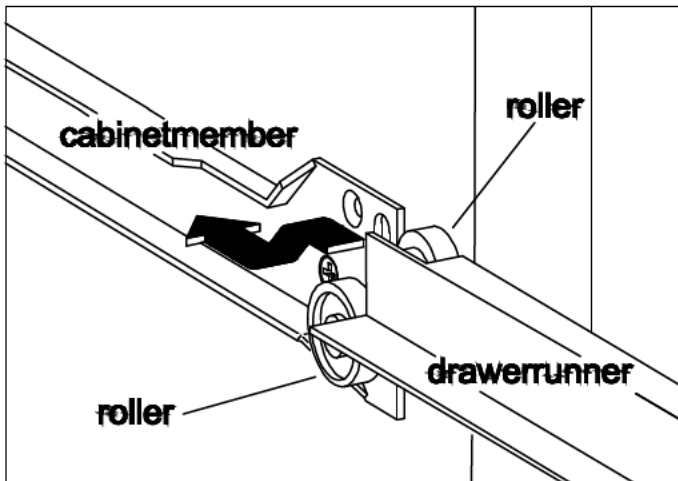
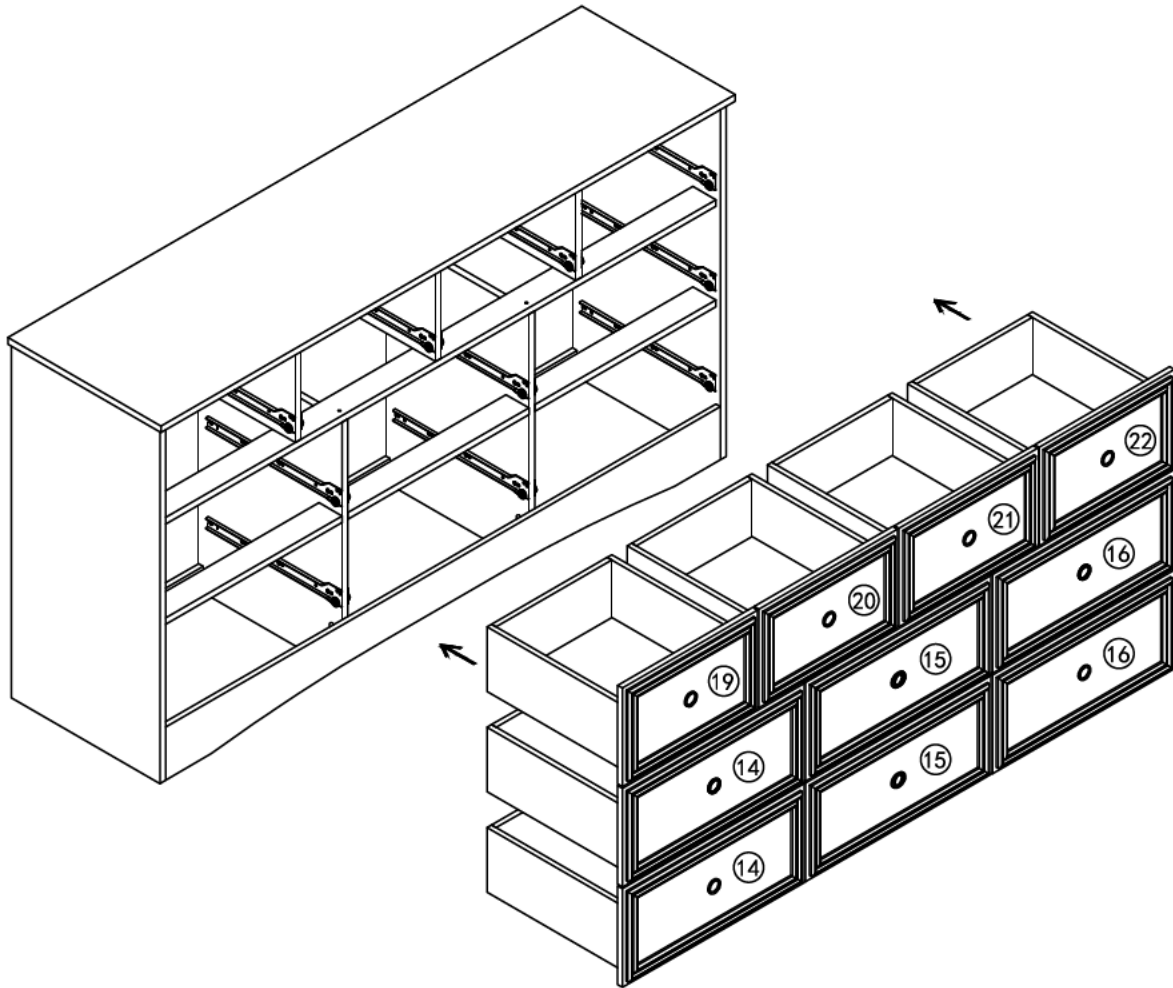
-Install the drawer slides (J) on the drawer side panels (9) & (10) as below shown.



19,20,21,22 drawers are all different, putting them in the wrong place will cause the drawers not to work, put them in the right place.



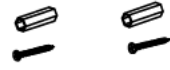
Step 27



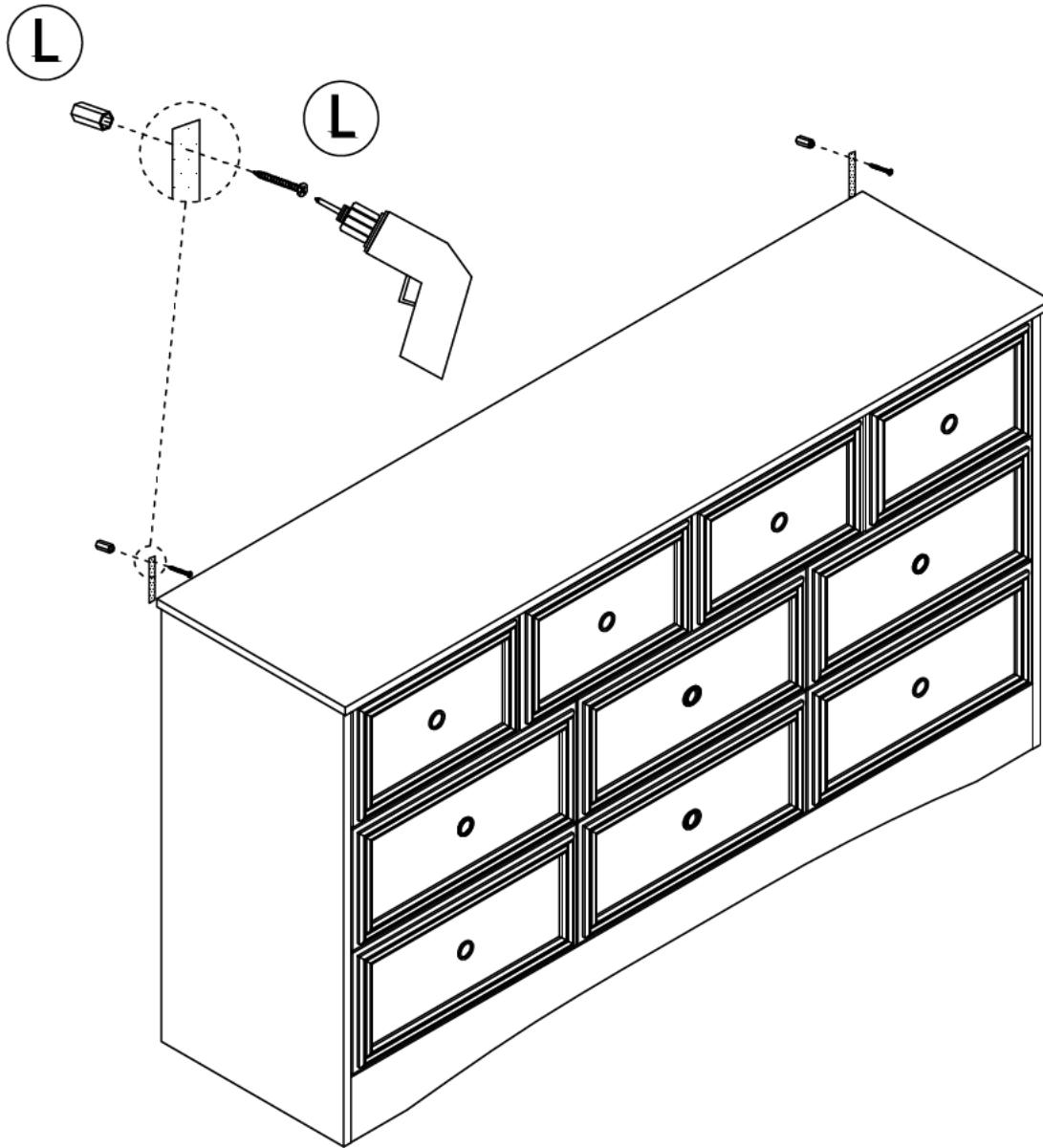
When you put the drawer, please note that the drawer wheels on top of the wheels of the slide, then check whether the drawer is smooth when pulled out. Otherwise, the drawer will not be aligned with other drawers.

Step 28

(L)



2pcs



Tools required (not included): phillips screwdriver, stud finder, tape measure, pencil, power drill and 3/16" drill bit.

Now, follow the instructions printed on the plastic bag containing the tipping restraint hardware to attach the tip-over restraints to the unit and the wall.

NOTE: The tipping restraint hardware included is for wooden stud wall construction. It must be attached to a wall stud. depending upon your wall construction, different anchor hardware maybe required. please contact your local hardware store for assistance. young children can be seriously injured by tipping furniture. you must install the tipping restraint hardware with the unit to prevent the unit from tipping, causing any accidents or damage.

The tipping restraints are intended only as a deterrent, they are not a substitute for proper adult supervision. the tipping restraints are not earthquake restraints. if you wish to add the extra security of earthquake restraints, they must be purchased and installed separately.

FINAL

Great, you got a 10 drawer dresser !

