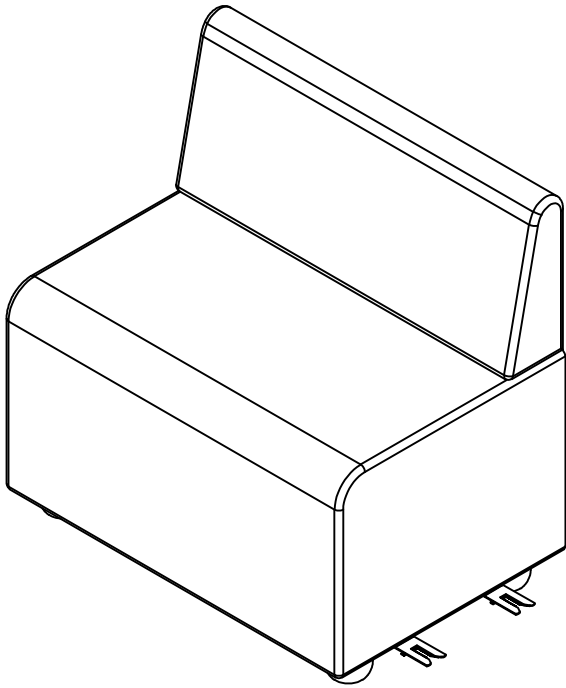




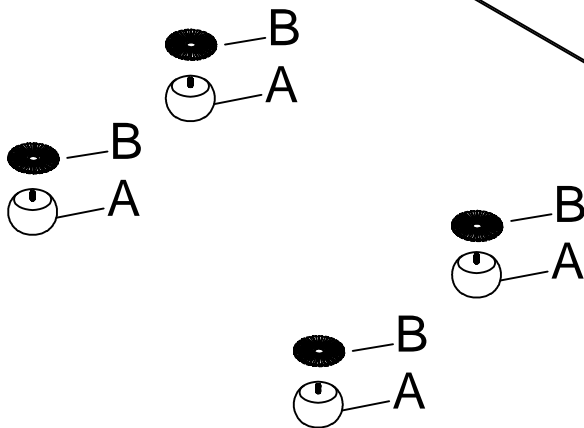
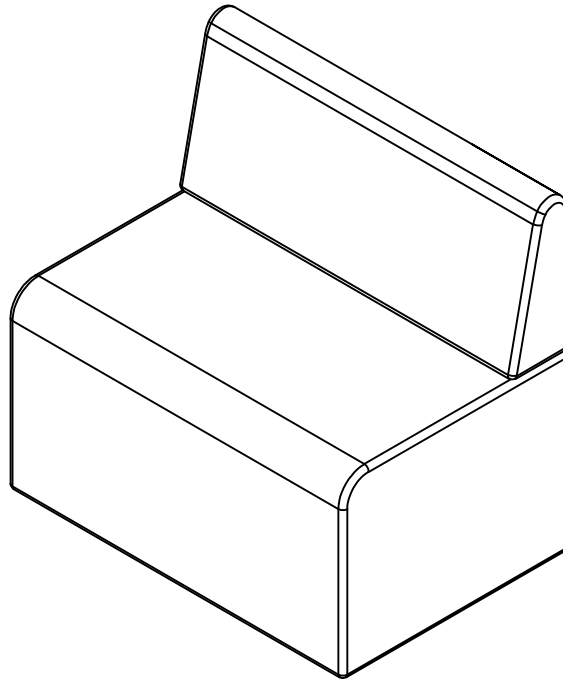
# ASSEMBLY INSTRUCTION

## CLEMENCE DINING CHAIR AND A HALF



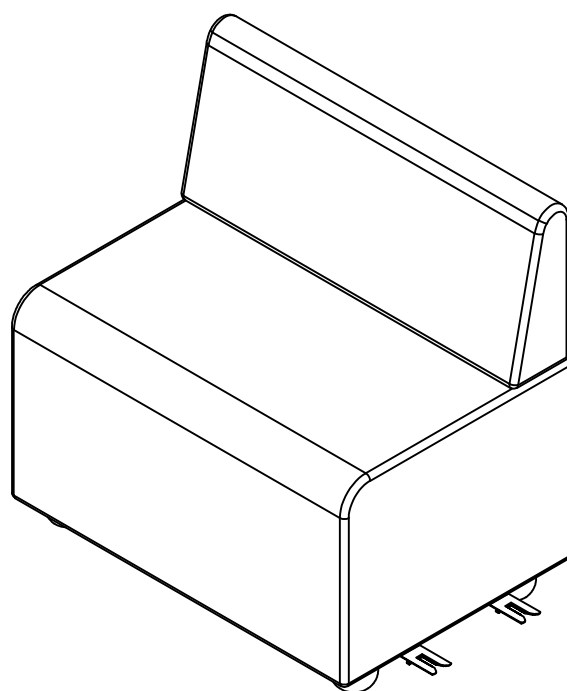
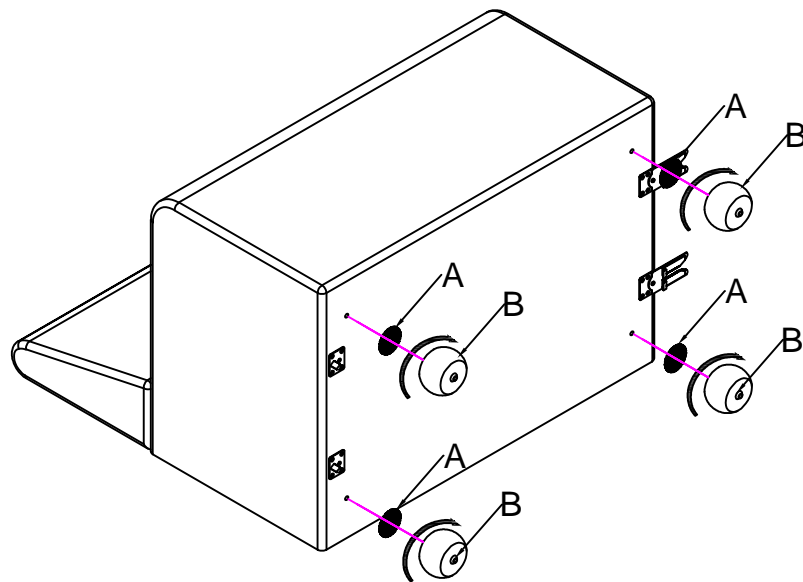
### HARDWARE LIST

A		Leg	4Pcs
B		Lock Washers Ø40mm	4Pcs



# ASSEMBLY INSTRUCTION

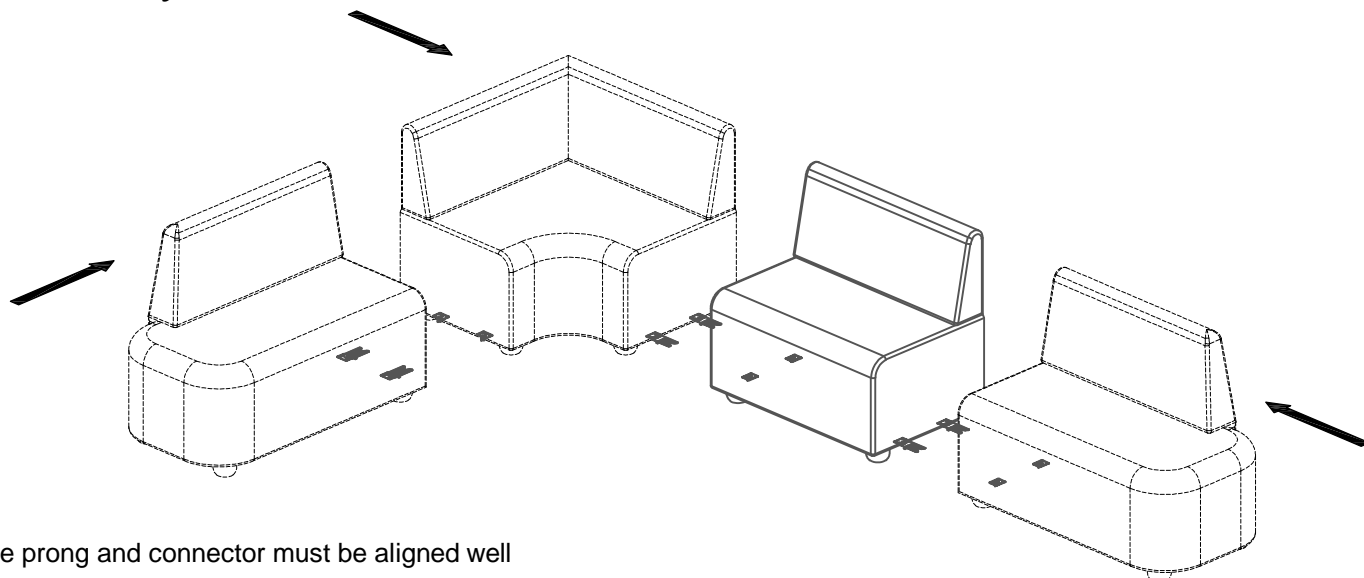
## CLEMENCE DINING CHAIR AND A HALF



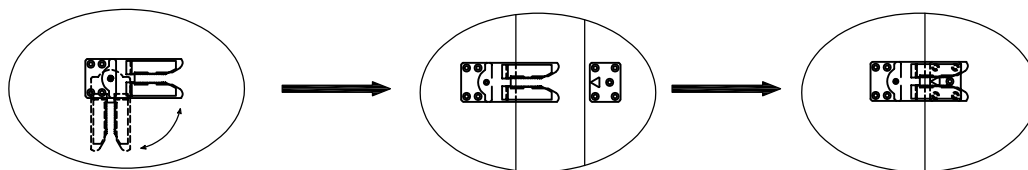
# ASSEMBLY INSTRUCTION

## Clemence Dining Banquette L Shape 127"

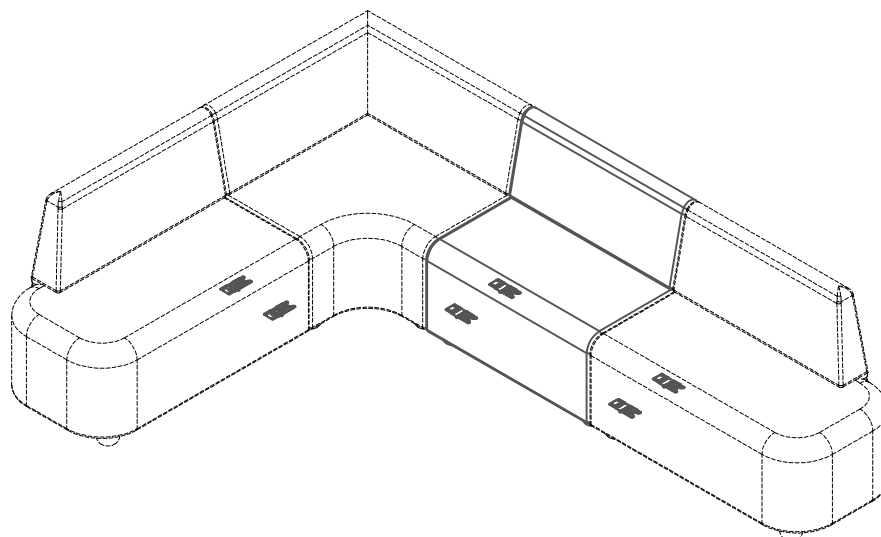
### Assembly of the sectionals



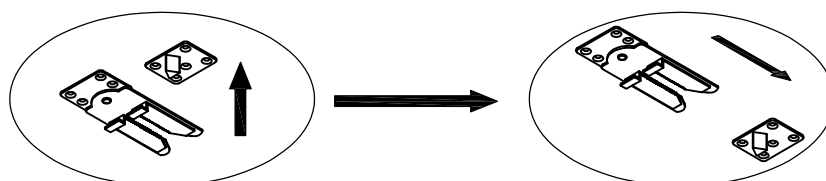
The prong and connector must be aligned well



### How to disconnect



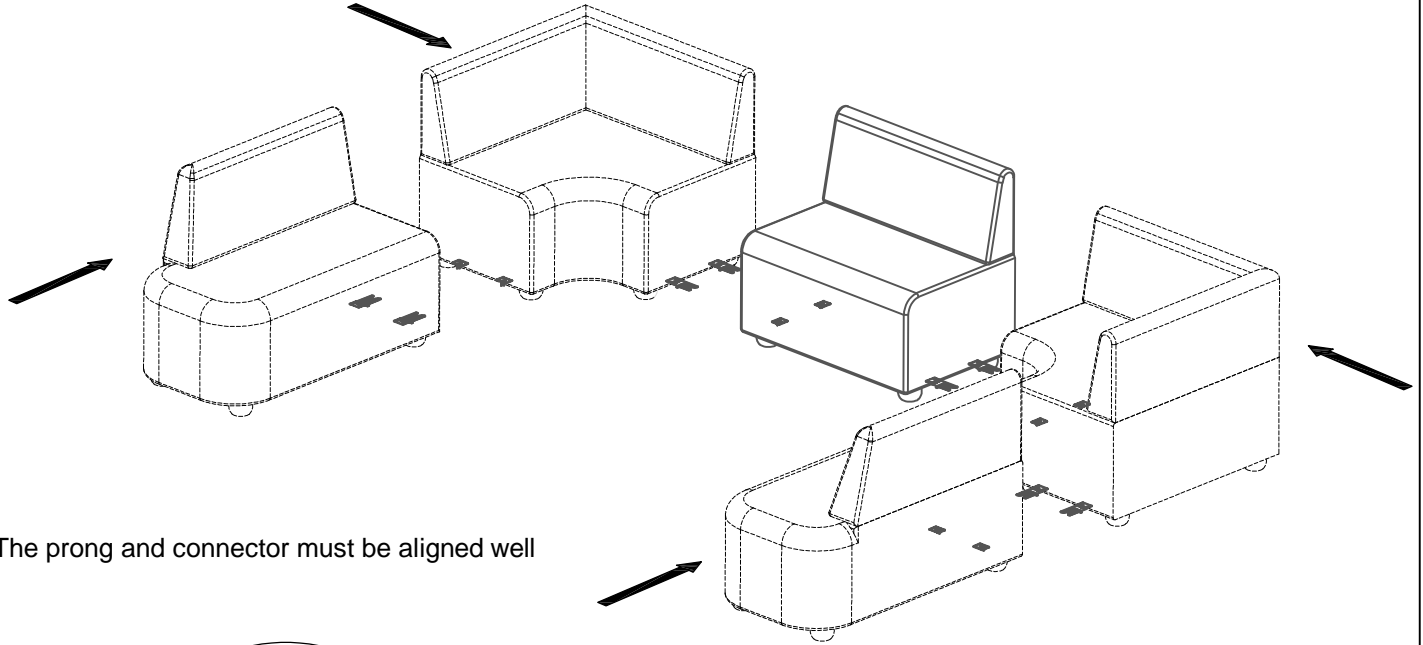
Lift up the right sectional and pull it out



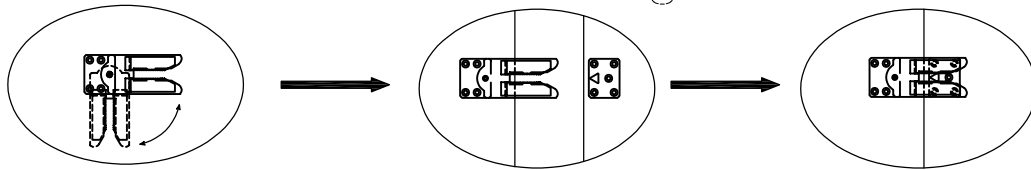
# ASSEMBLY INSTRUCTION

## Clemence Dining Banquette U Shape 117.5"

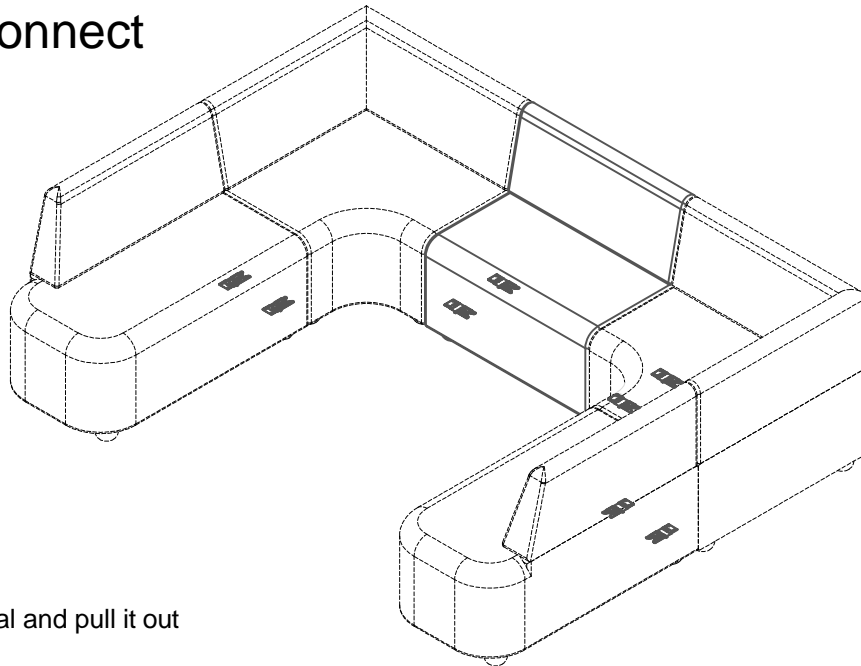
### Assembly of the sectionals



The prong and connector must be aligned well



### How to disconnect



Lift up the right sectional and pull it out

