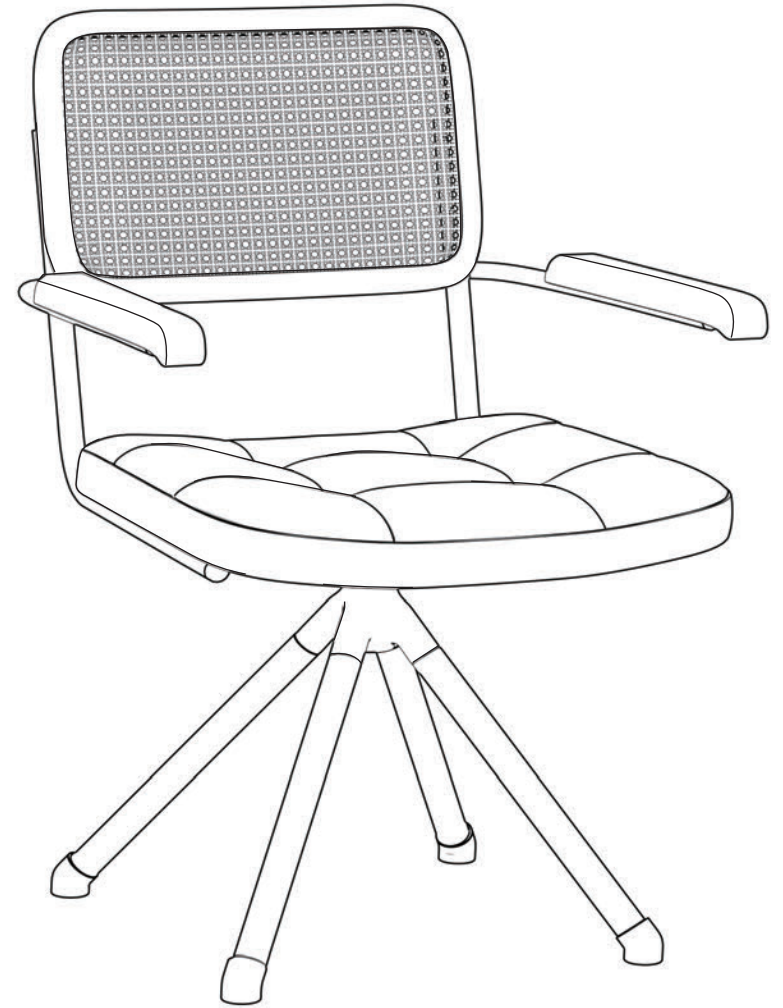
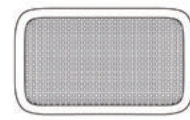


ASSEMBLY INSTRUCTIONS

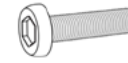


DINING CHAIR

7



Gx1



Kx4



Please tighten
screw **K** to **100%**

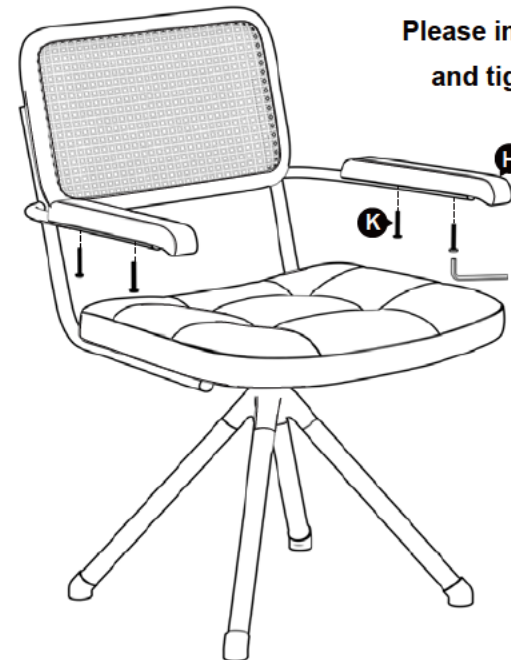
8



Hx2



Kx4



Please install screw **K** to **100%**
and tighten screw **L** to **100%**

Be sure to keep spare parts.

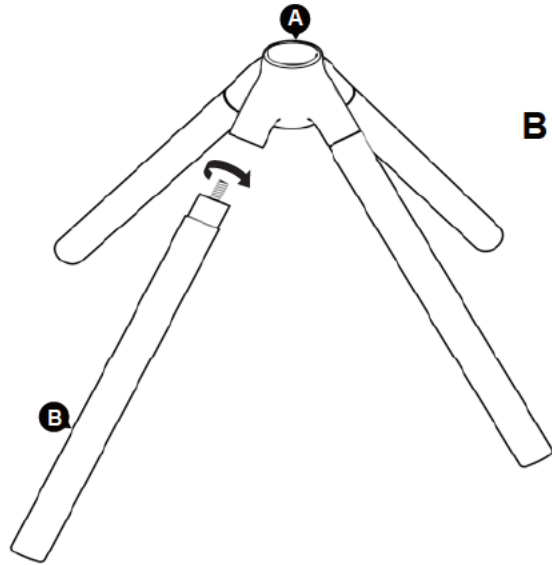
If screws or nails of a product are damaged or lost,
or screws or nails of a subsequent product are
damaged or aged, spare parts can be used to replace them.

1

Ax1



Bx4



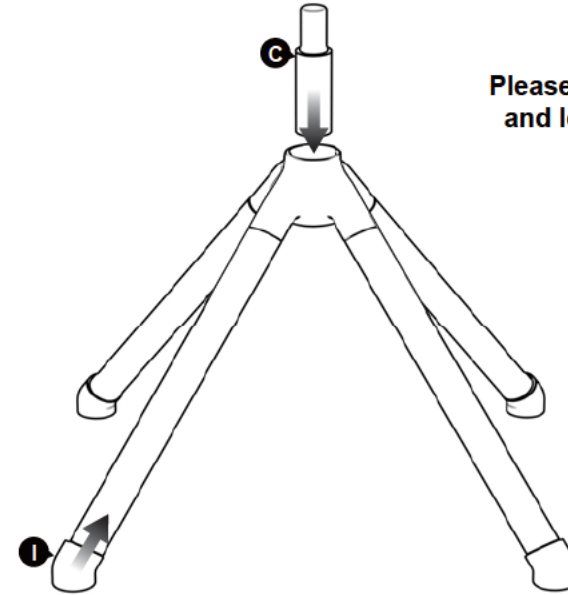
Please tighten
B 100% clockwise

2

Cx1



Ix4



Please slip I into part B
and level with the floor

3

Dx1



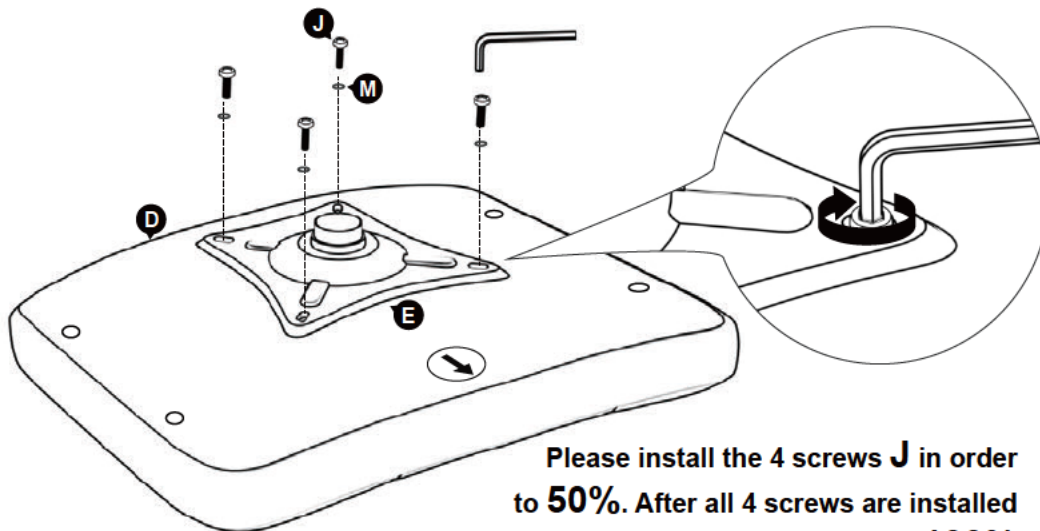
Ex1



Jx4



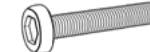
Mx4



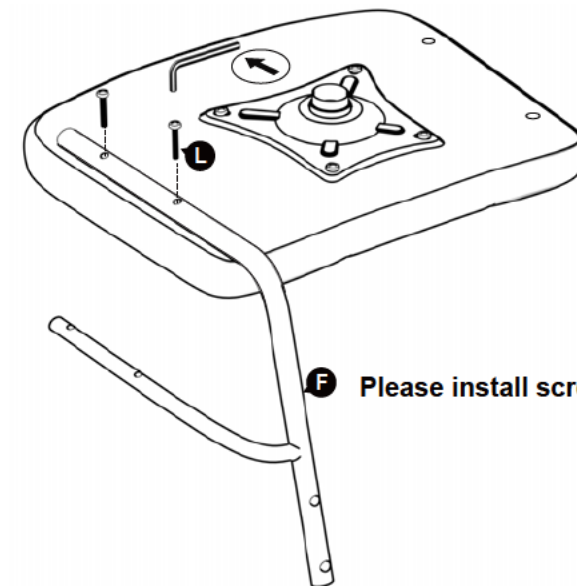
Please install the 4 screws J in order
to 50%. After all 4 screws are installed
tighten all screws to 100%

4

Fx1 (L)

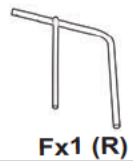


Lx2



Please install screw L to 50%

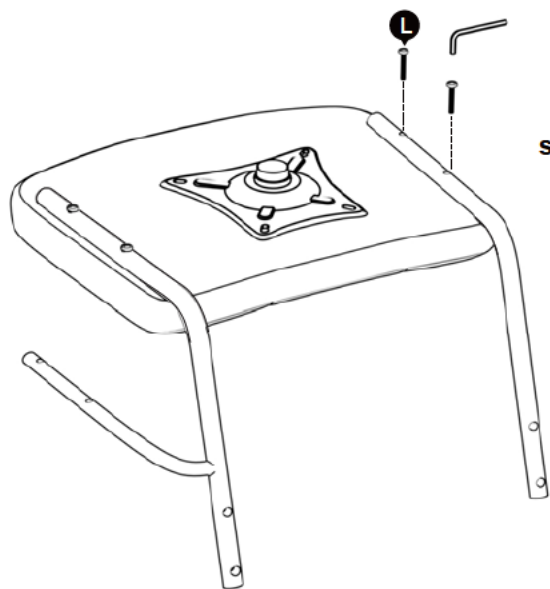
5



Fx1 (R)



Lx2

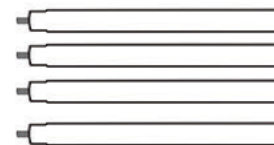


Please install screw **L** to 50%

SPARE PARTS



Ax1



Bx4



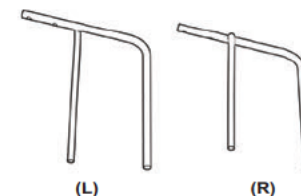
Cx1



Dx1



Ex1



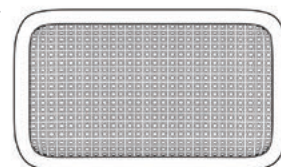
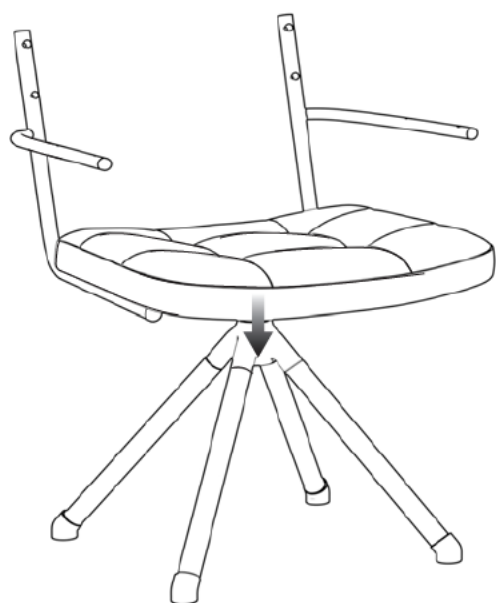
(L)

(R)

Fx2

Please note that part F has a left and right distinction.

6



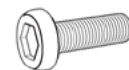
Gx1



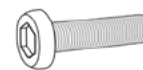
Hx2



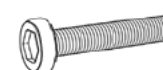
Ix4



Jx4+1extra
(M6*25mm)



Kx8+1extra
(M6*35mm)



Lx4+1extra
(M6*40mm)



Mx4



Nx1