

Installation Instruction



Assembling

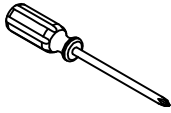
Estimated time for assembly



45 : 00

What you need

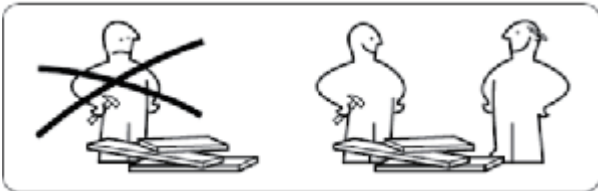
- Use the packaging carton as a working surface to prevent product damage during assembly
- Phillips head screwdriver



Weight Limitation



100 | **35**
lbs table top lbs per

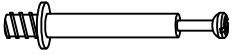


What' included

Code	Description	Qty
A	Cam Bolt M6X35MM	60
B	Cam Lock 15X10MM	60
C	Wooden Dowel M8X30MM	12
D	Screw M4X40MM	38
E	Screw M4X8MM	6
F	The metal plate	4
G	Nylon Strap	2
H	Screw M3.0X14MM	66
I	Metal shake handhandle	6
J	The back button	16
K	Anchor	2
L	MATS	4
M	Adjustable foot pads	1
N	Screw M3.5X14MM	20
O	Hole position sticker	60
Q	The metal plate	1
CL	Left mother extended orbit	6
CR	Right mother extended orbit	6
DL	Left public extension track	6
DR	Right public extends track	6

The Hardwares

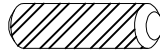
(A)



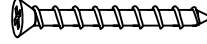
(B)



(C)



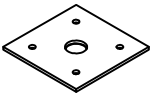
(D)



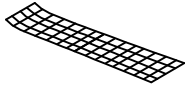
(E)



(F)



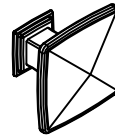
(G)



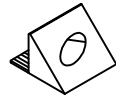
(H)



(I)



(J)



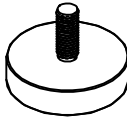
(K)



(L)



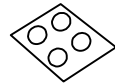
(M)



(N)



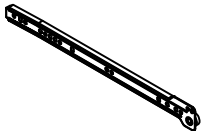
(O)



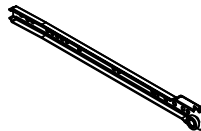
(Q)



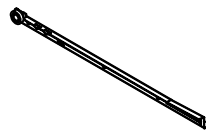
(CL)



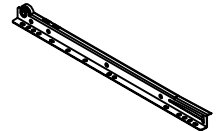
(CR)



(DL)



(DR)



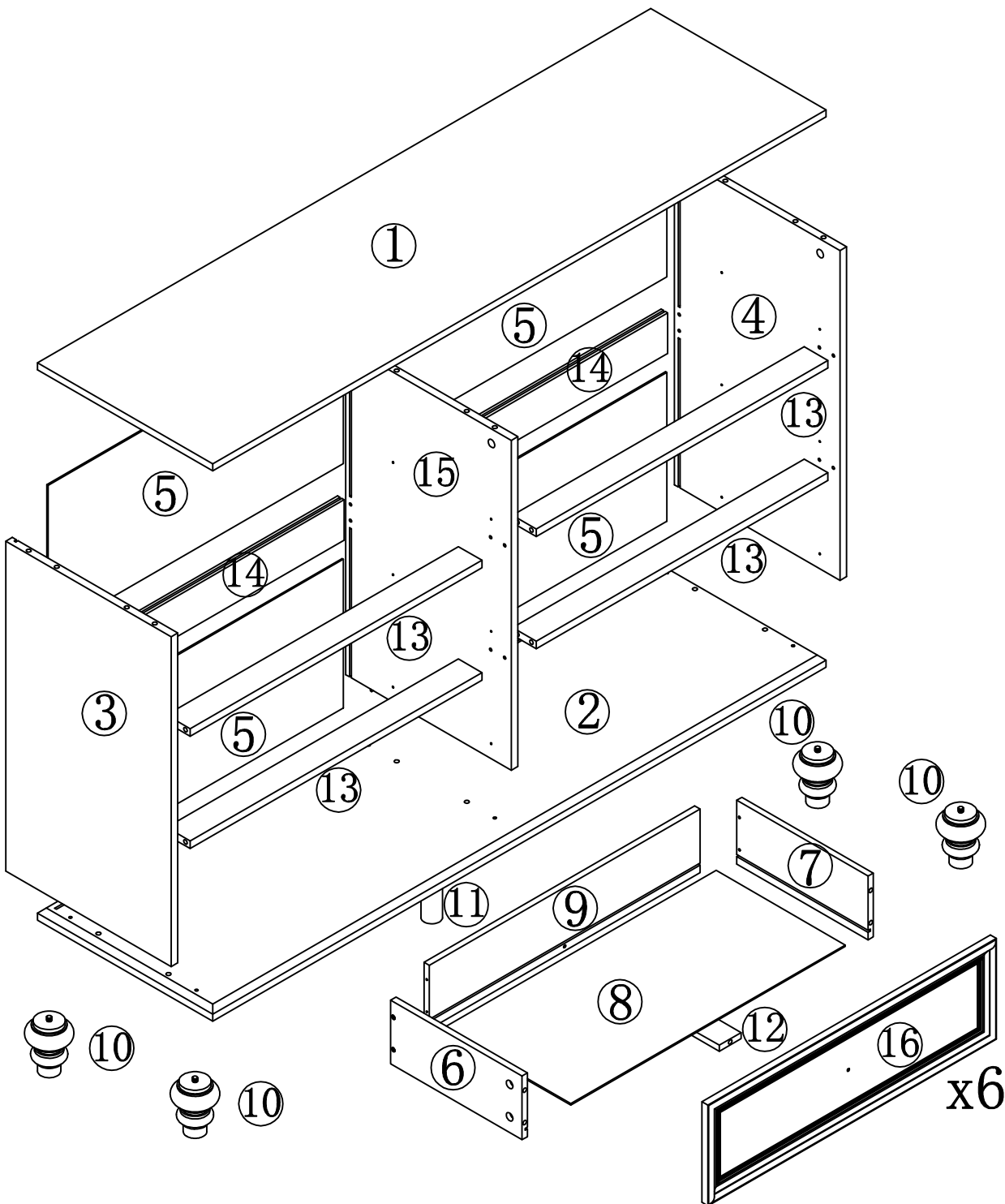
IMPORTANT:

1. Do not tighten bolts / screws completely until all bolts / screws are lined up and inserted into holes.
2. Do not over tighten screws and bolts to avoid stripping
3. Please use hand tools to assemble this product. Do not use power tools.

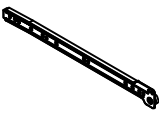


Included Accessories

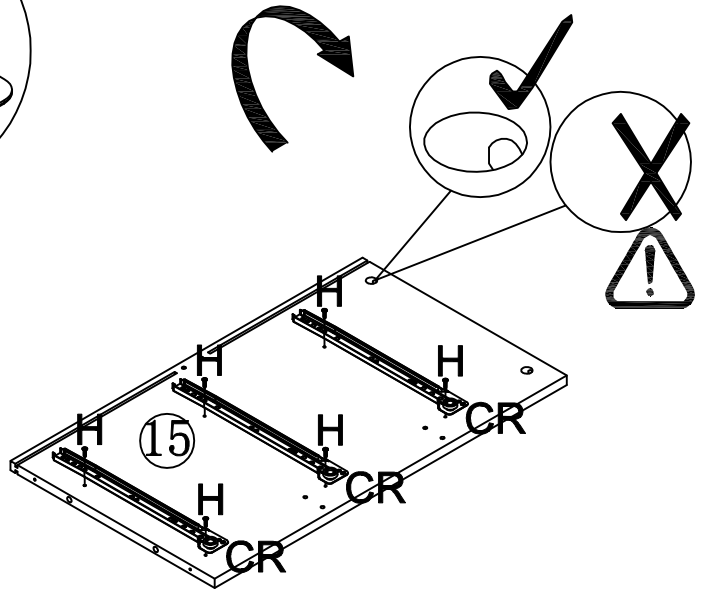
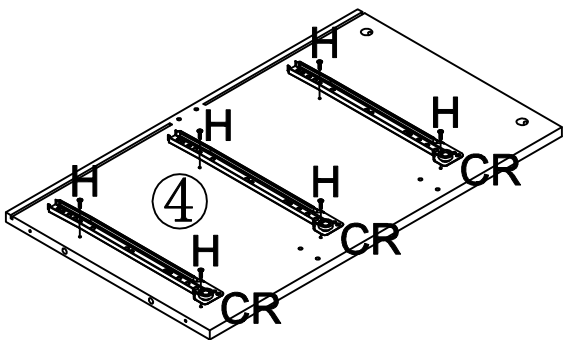
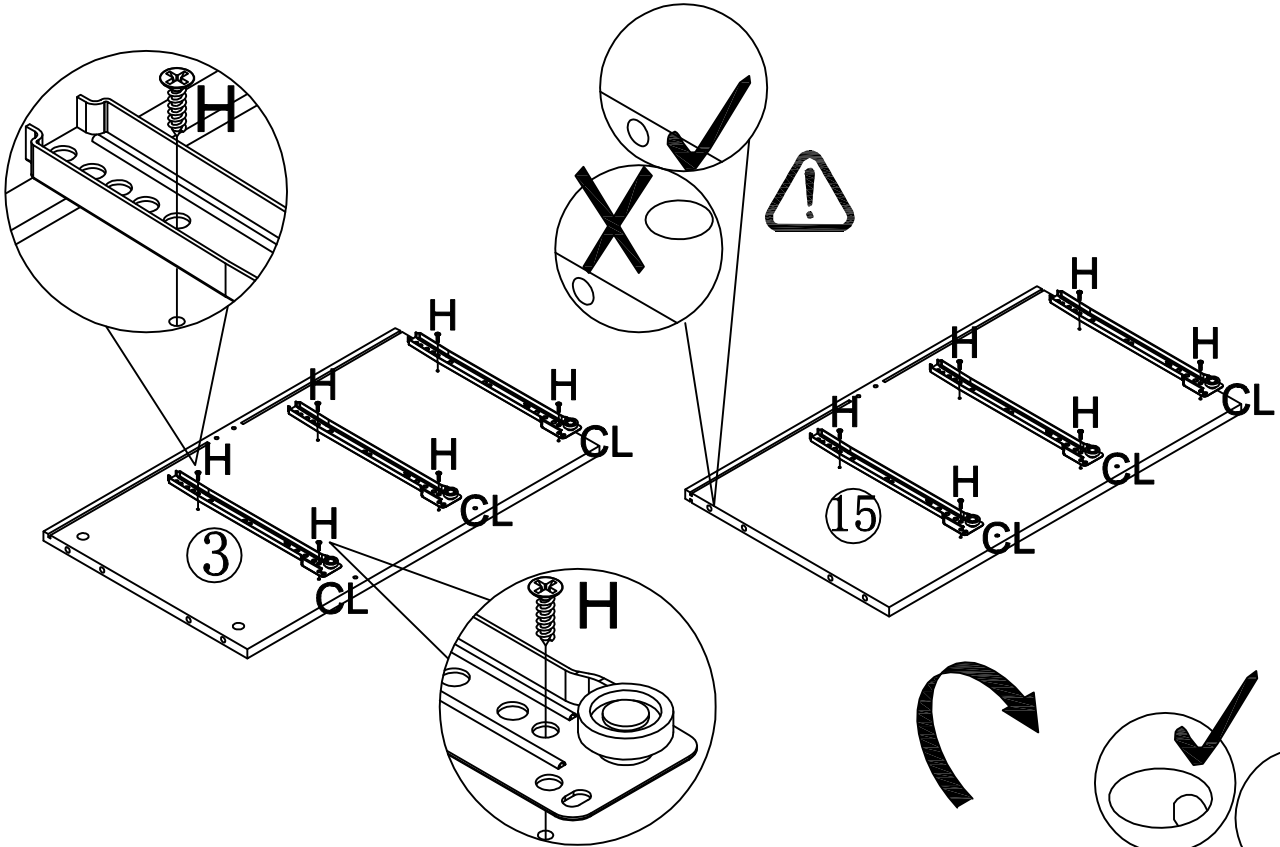
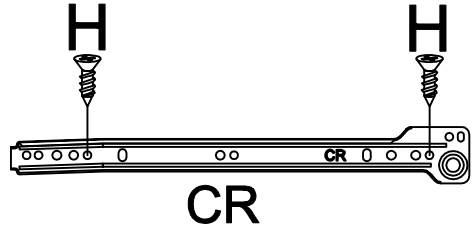
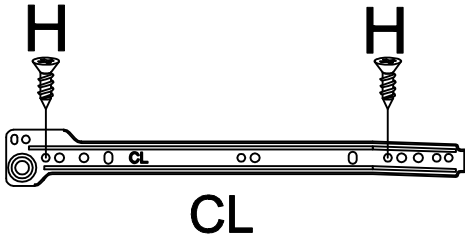
Code	Description	Qty
1	Cabinet Top	1
2	Bottom Panel	1
3	Left Side Panel	1
4	Right Side Panel	1
5	Back Panel	4
6	Drawer left panel	6
7	Drawer right side panel	6
8	The drawer bottom	6
9	After the drawer board	6
10	Solid wood feet	4
11	Medium solid wood feet	1
12	At the bottom of the drawer	6
13	Drawer face trim board	4
14	Back stiffener	2
15	Middle Division Panel	1
16	Drawer panel	6

The Accessoriess

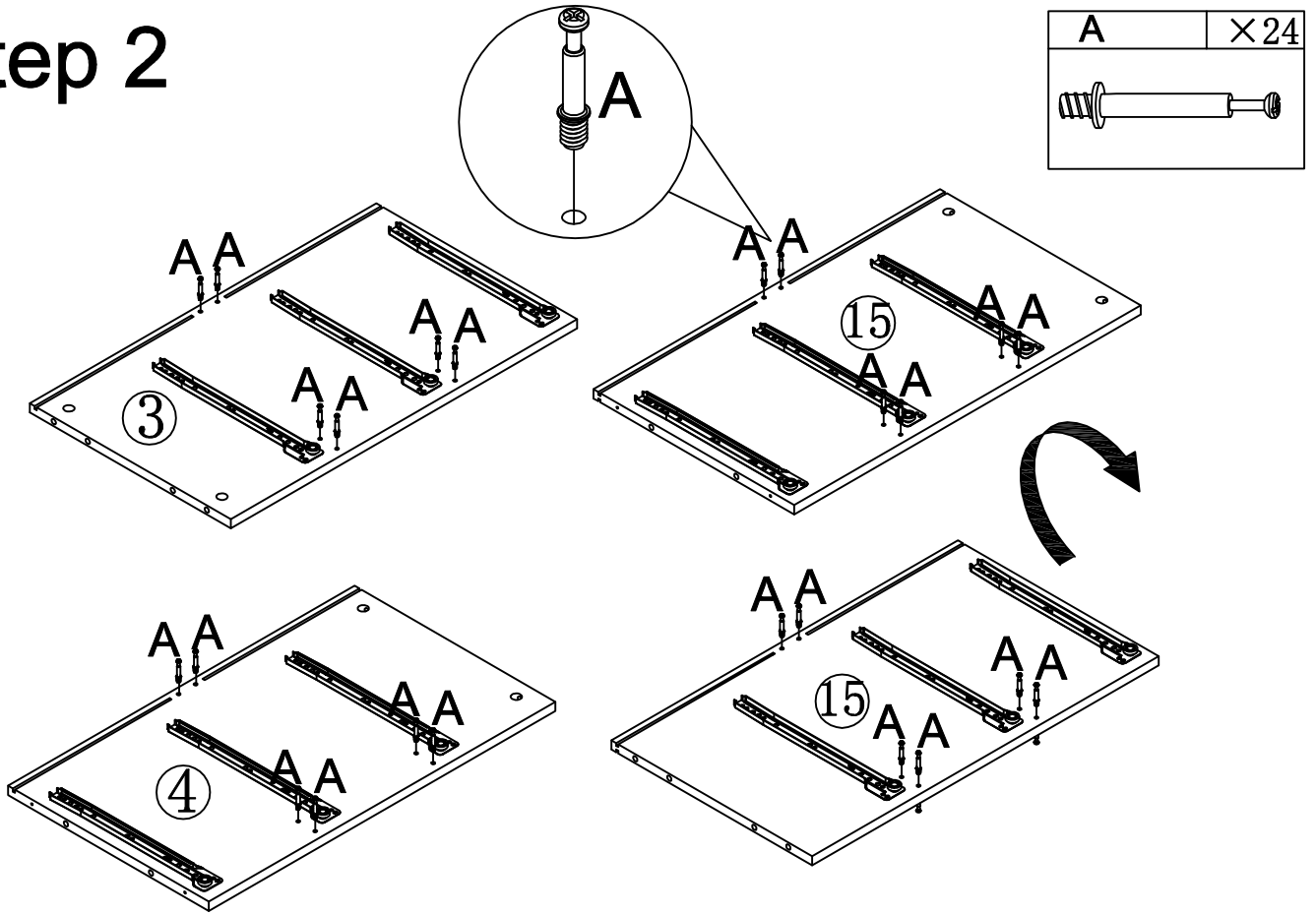


Step 1

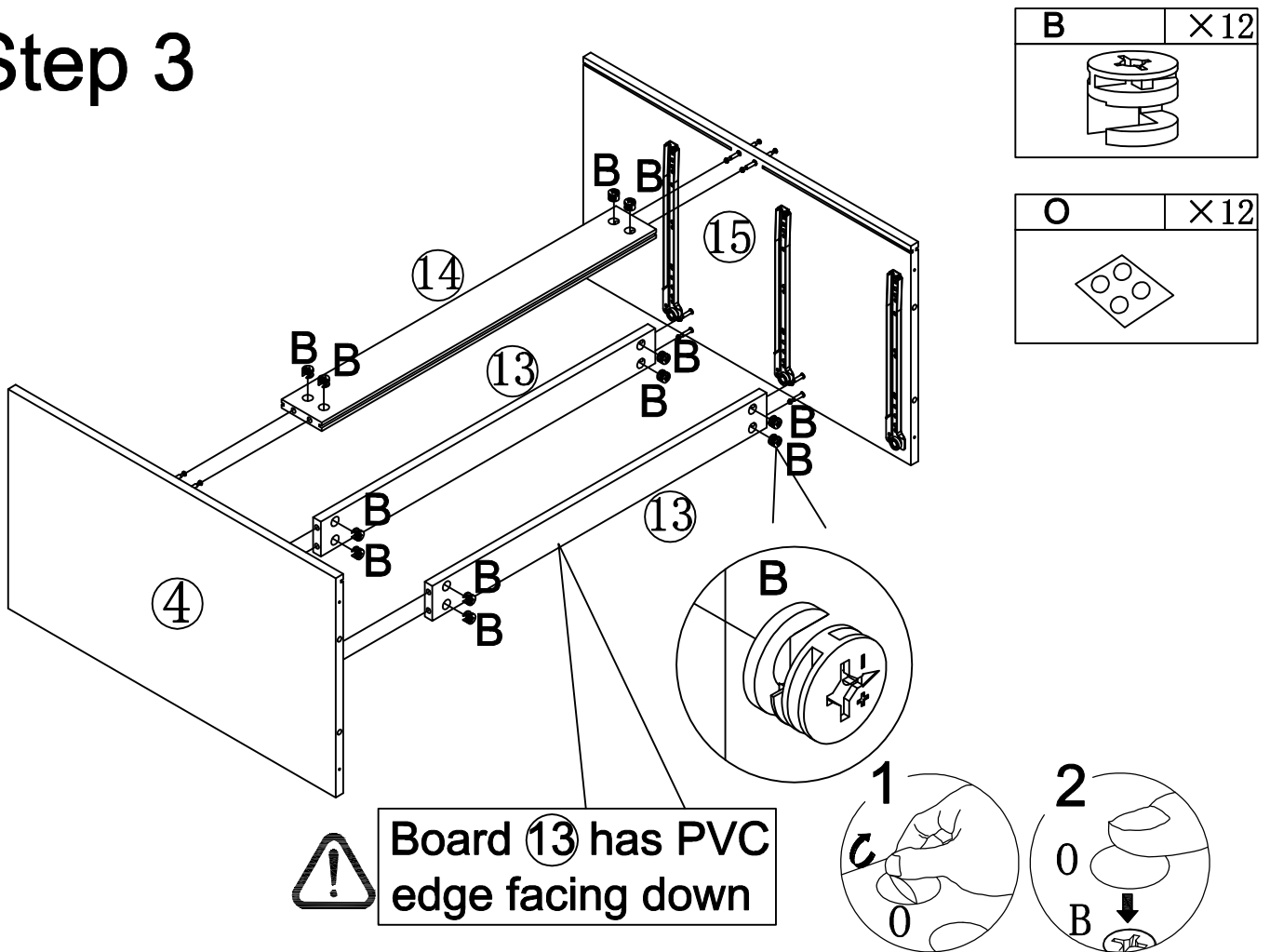
CL	×6	CR	×6	H	×24
					



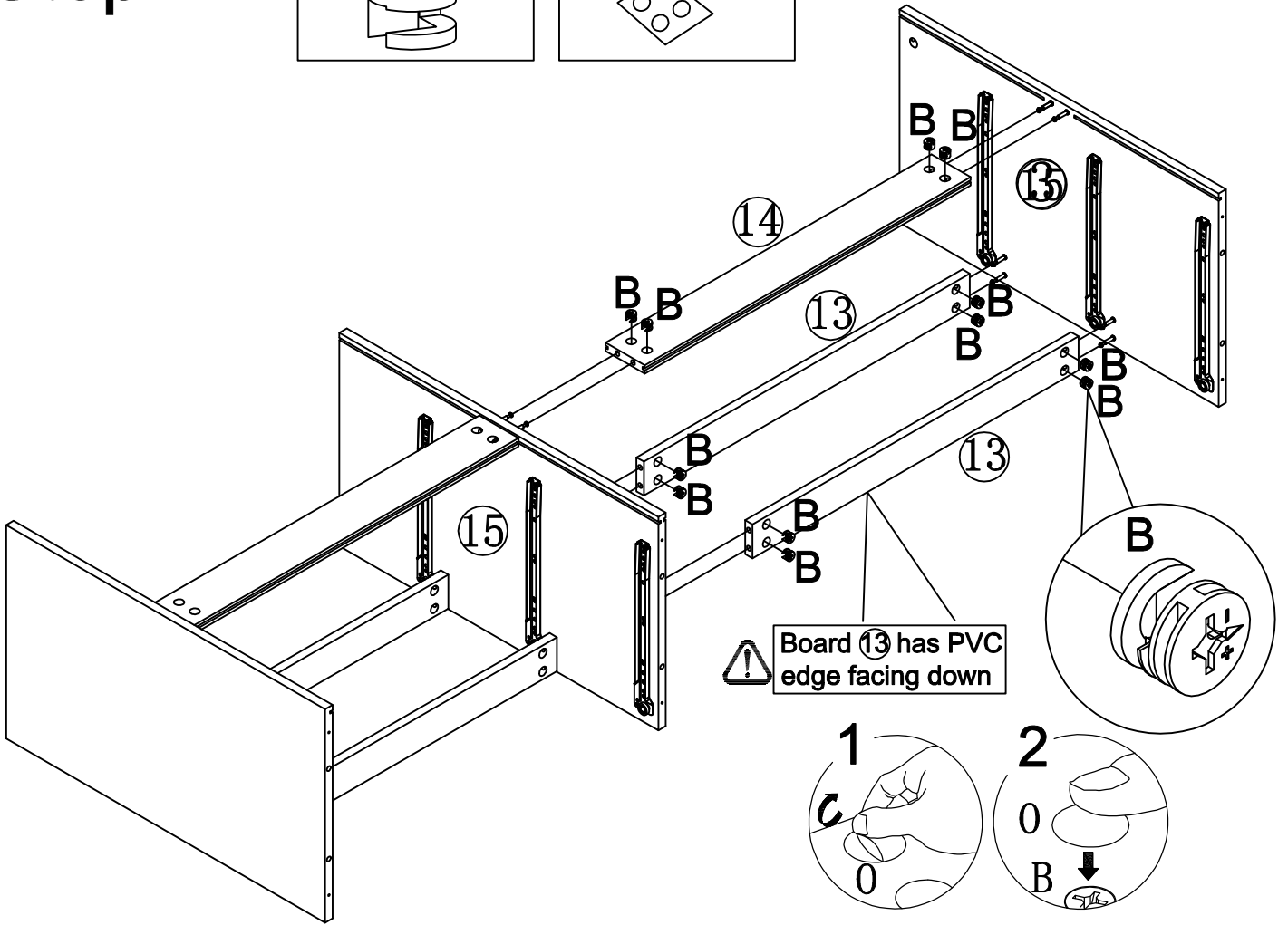
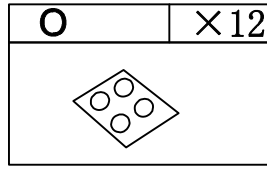
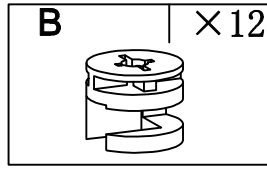
Step 2



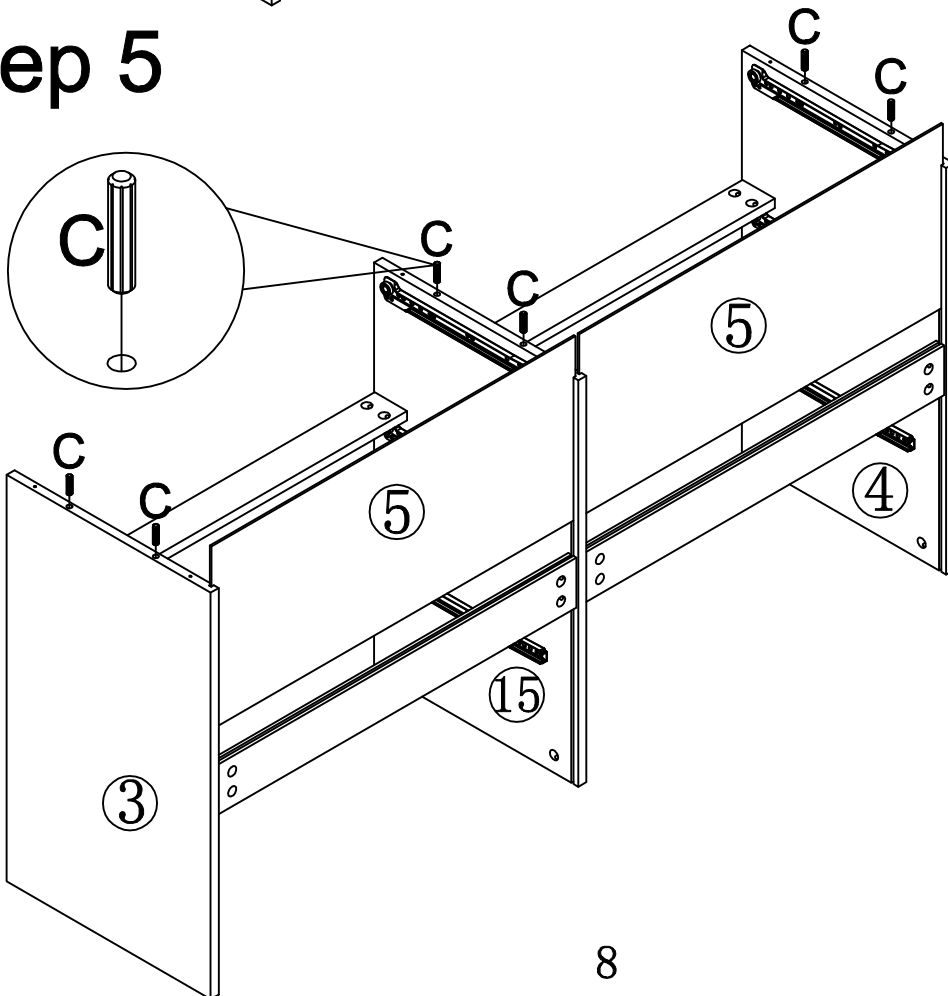
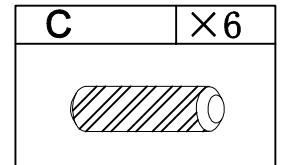
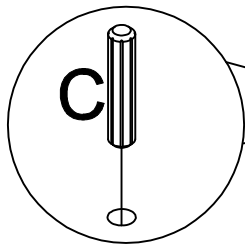
Step 3



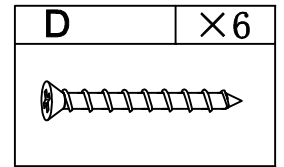
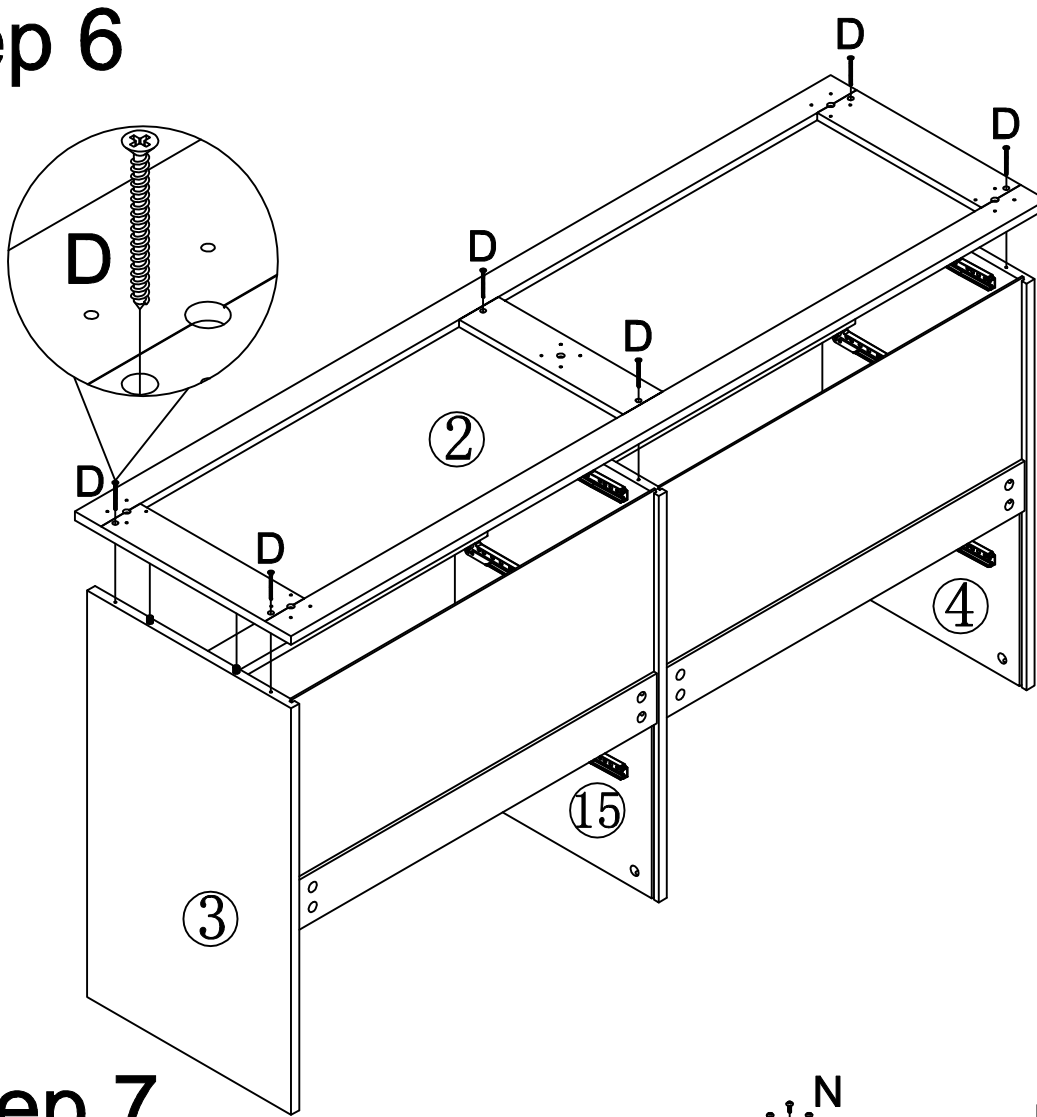
Step 4



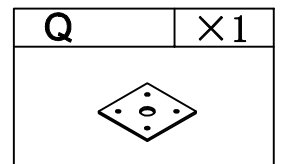
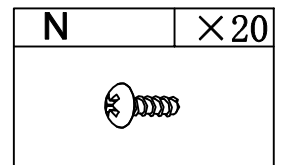
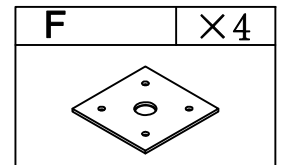
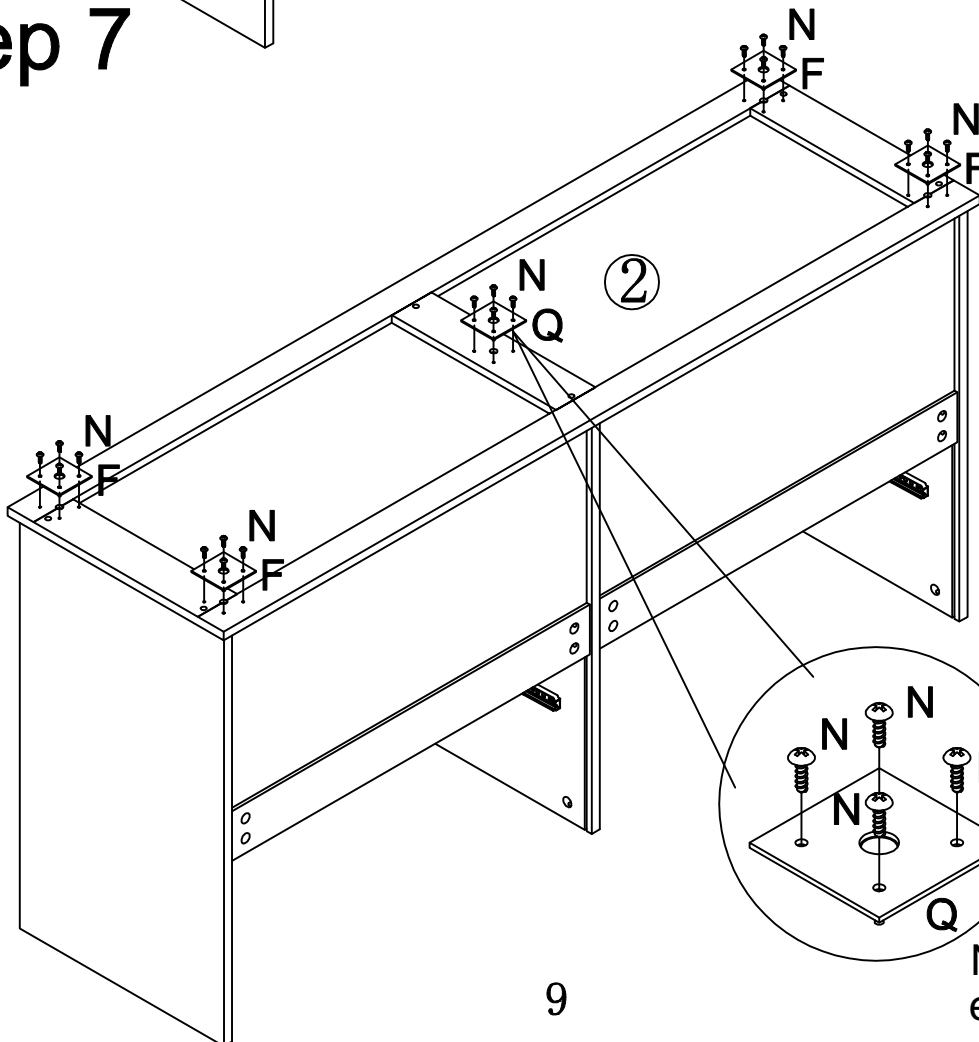
Step 5



Step 6

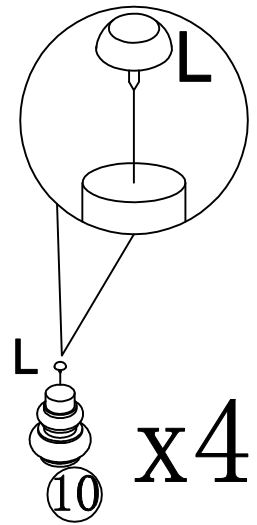
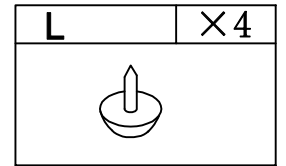
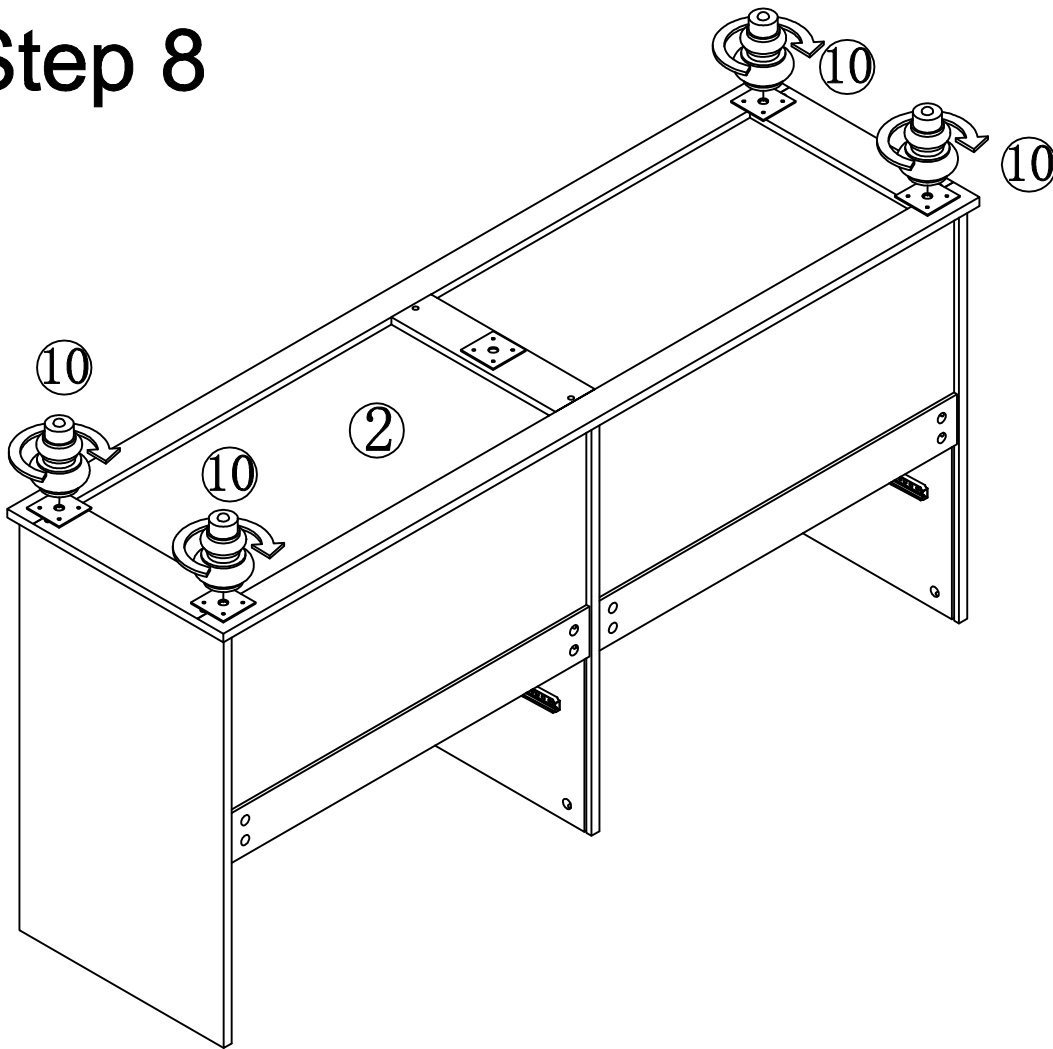


Step 7

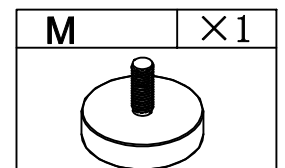
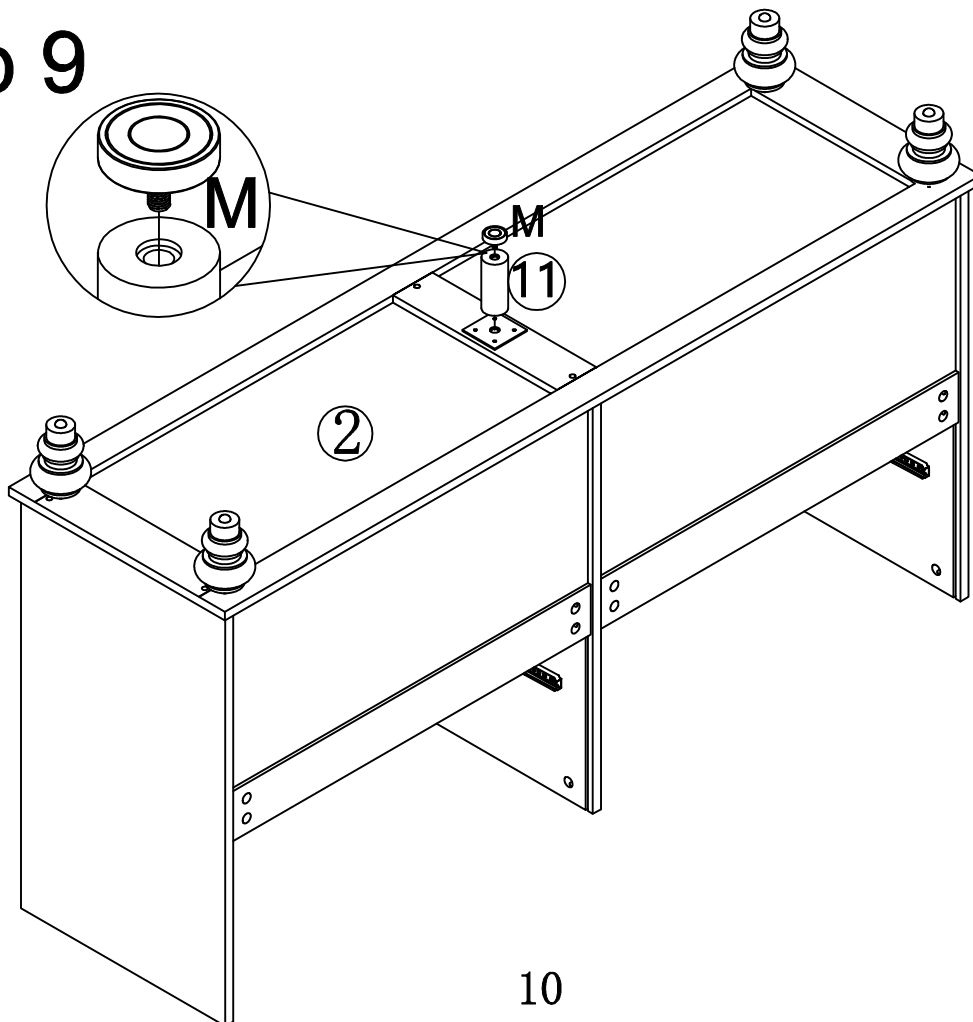


Note that the raised end faces down!

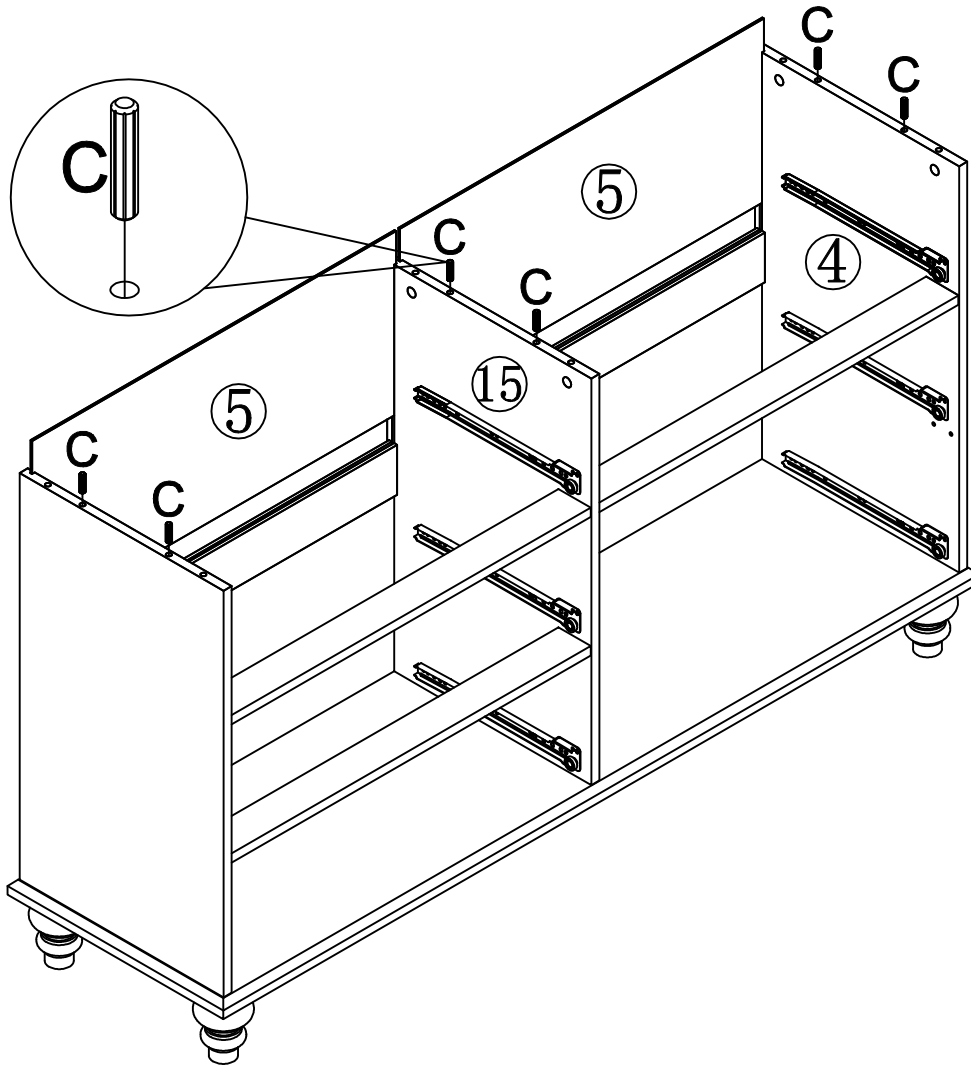
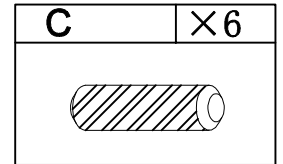
Step 8



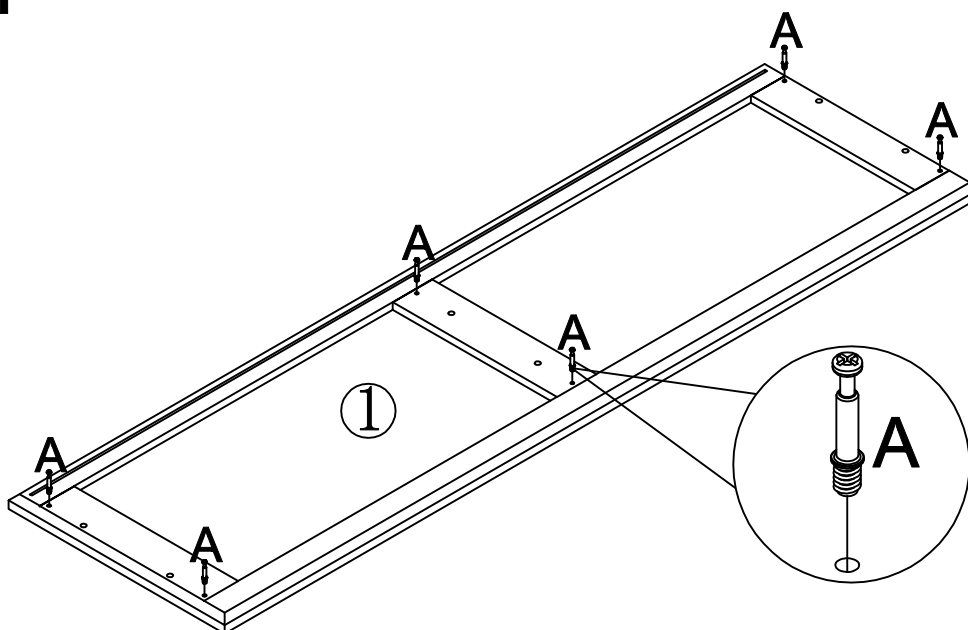
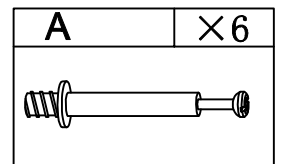
Step 9



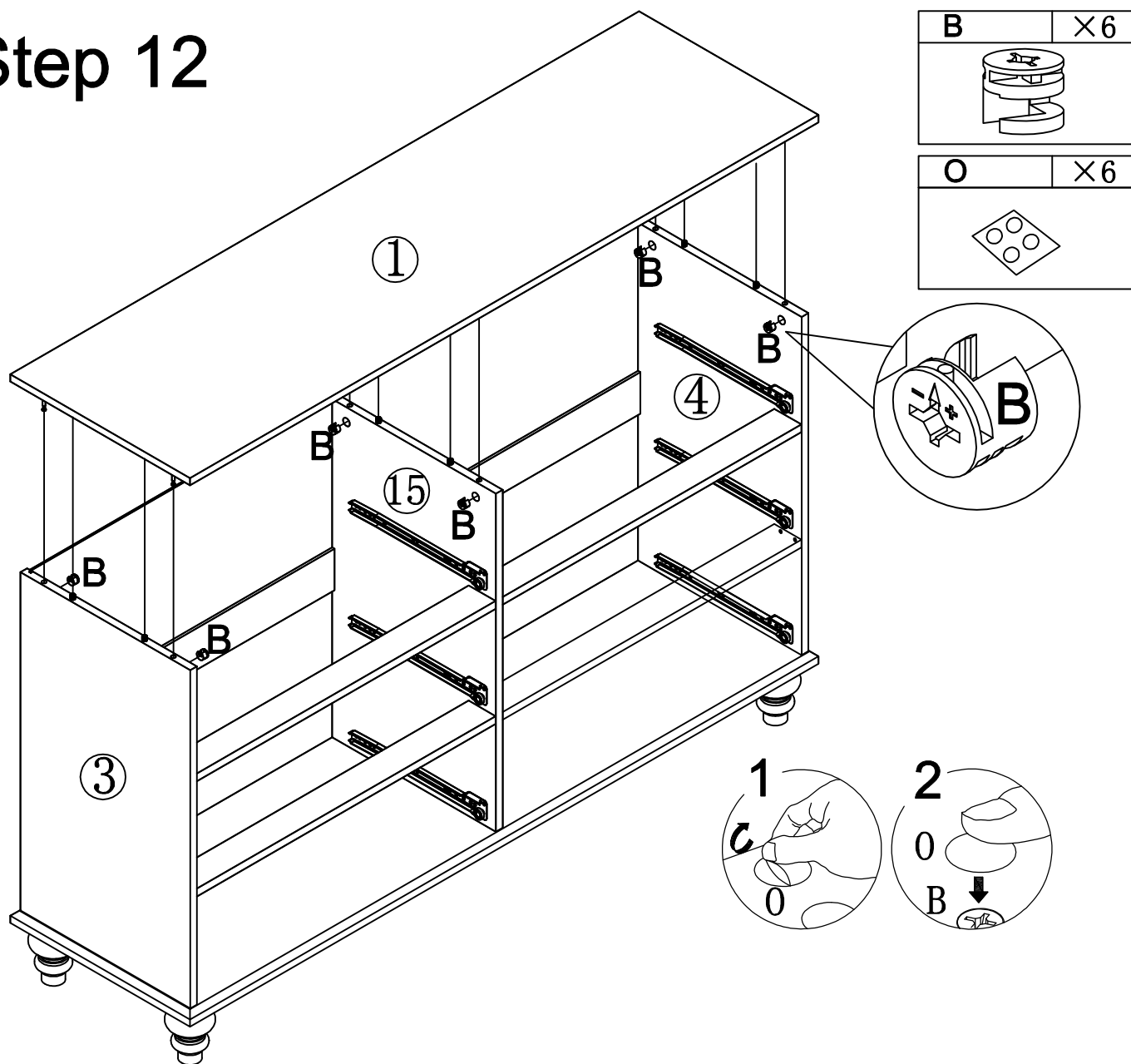
Step 10



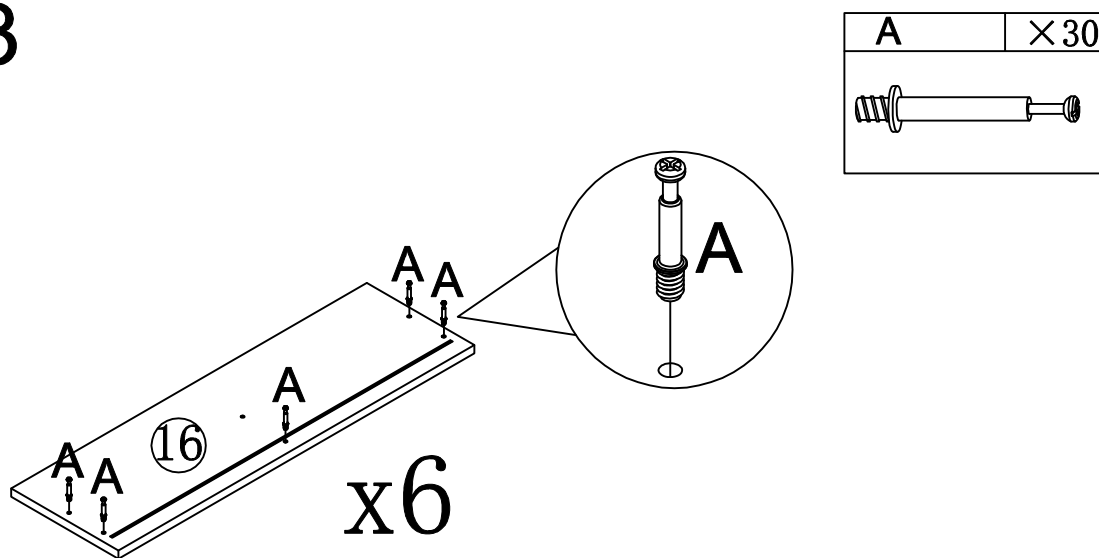
Step 11



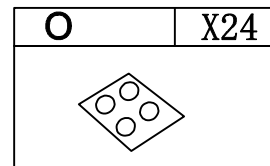
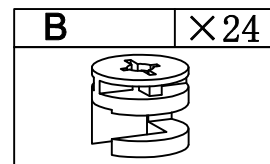
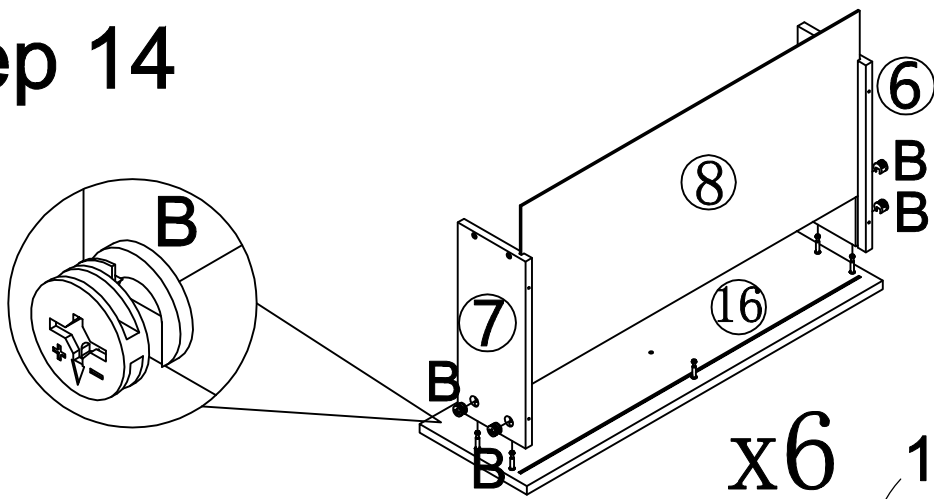
Step 12



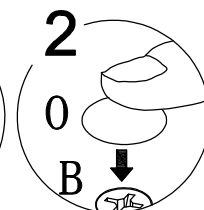
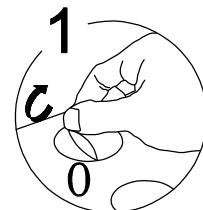
Step 13



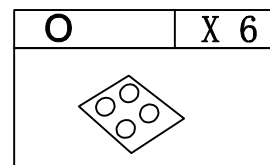
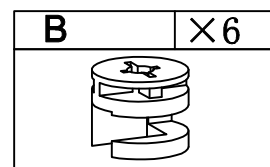
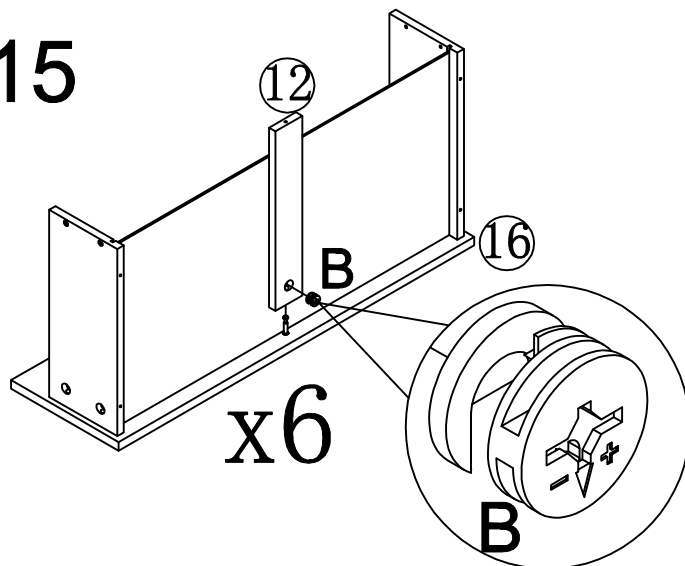
Step 14



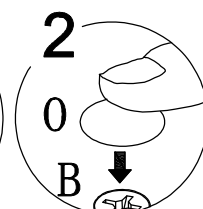
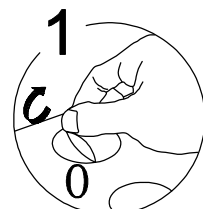
x6



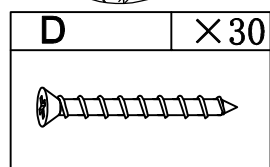
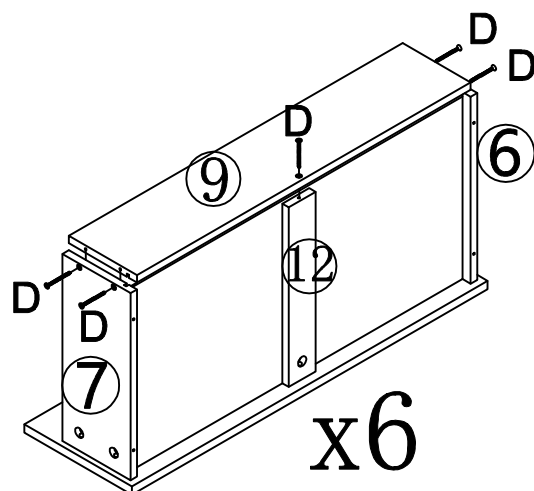
Step 15



x6



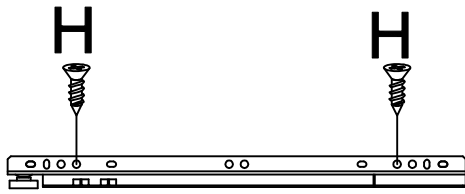
Step 16



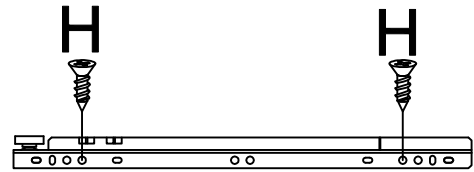
x6

Step 17

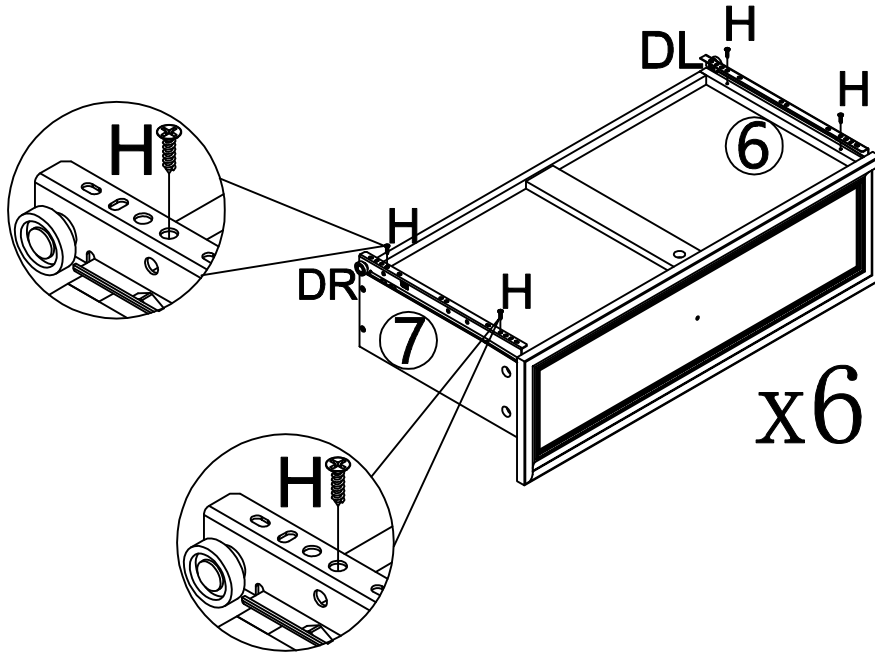
DL	×6	DR	×6	H	×24



DR



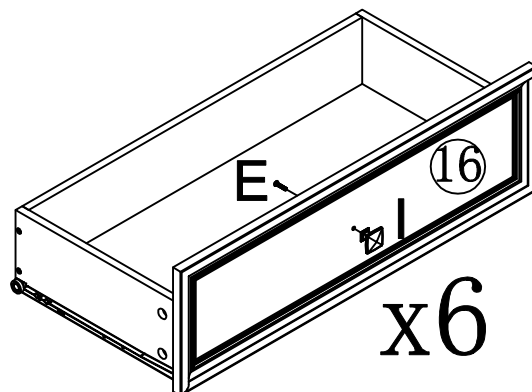
DL



x6

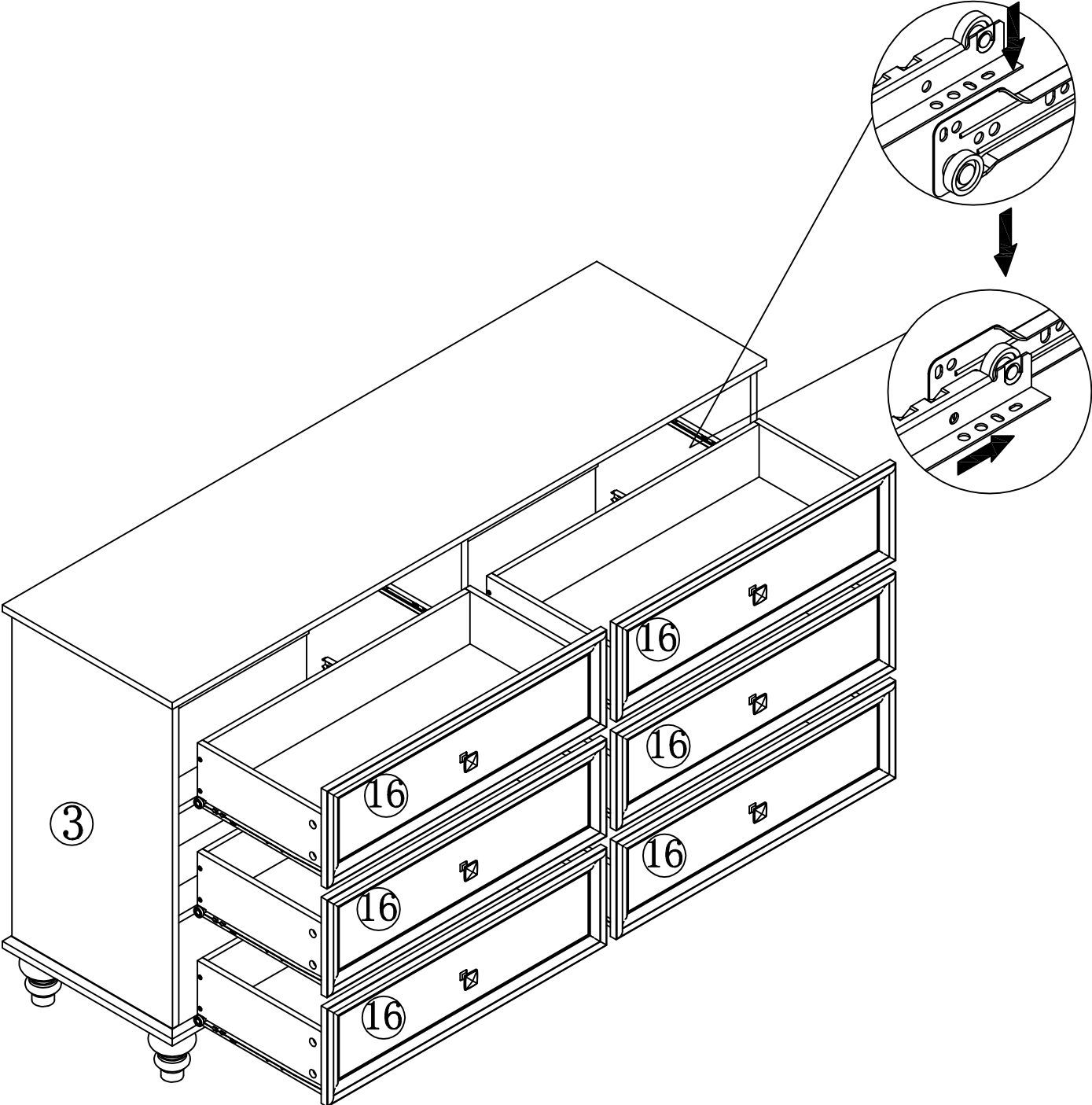
Step 18

E	×6	I	×6

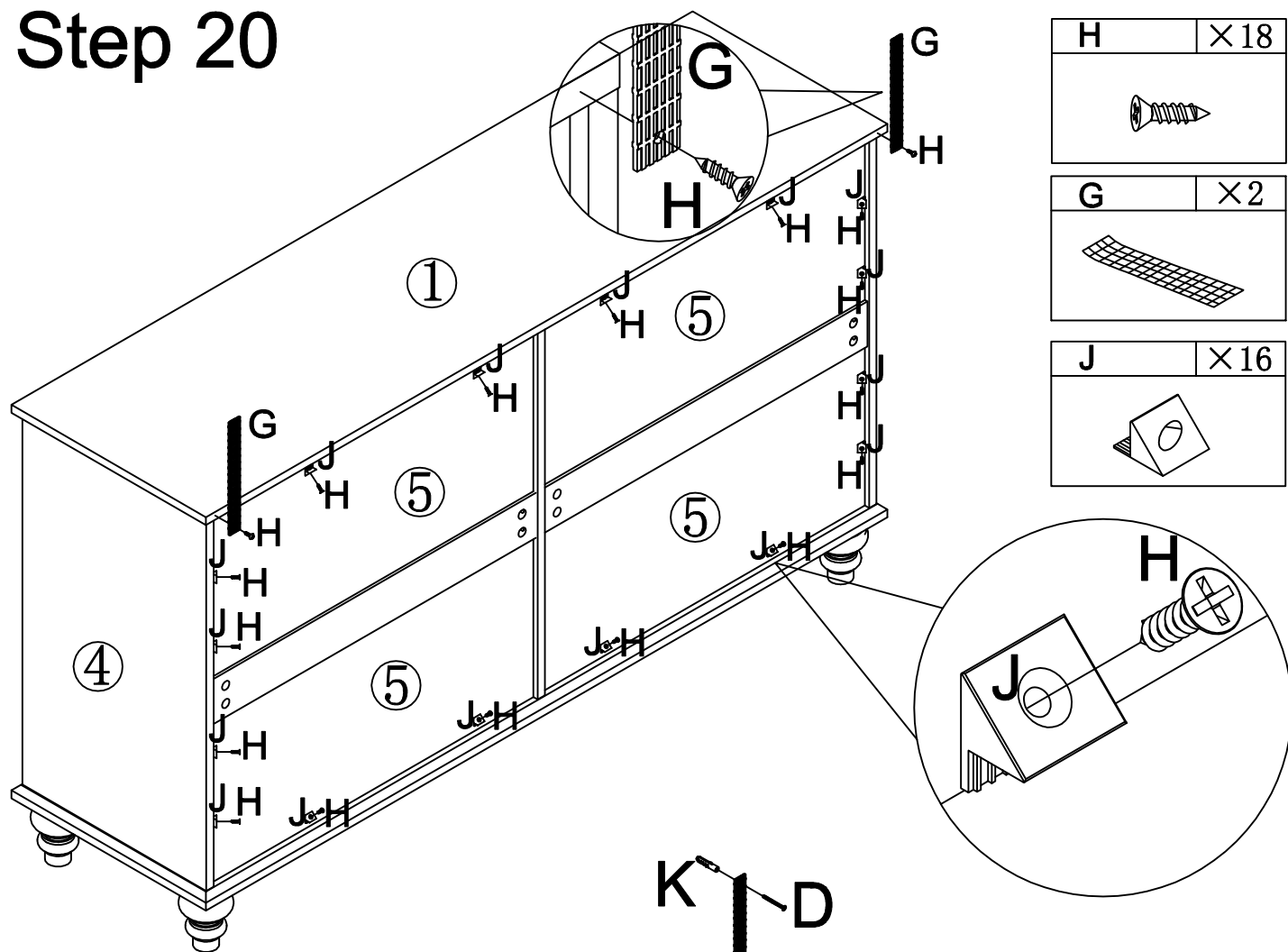



x6

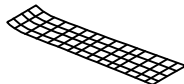
Step 19

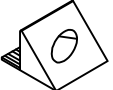


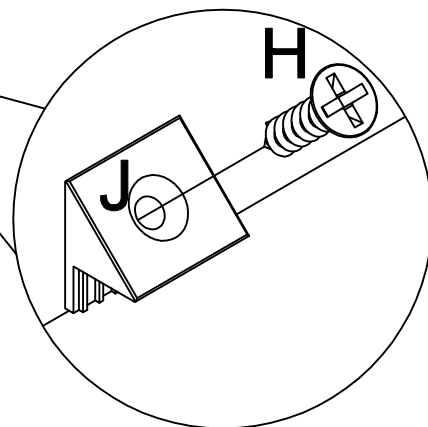
Step 20



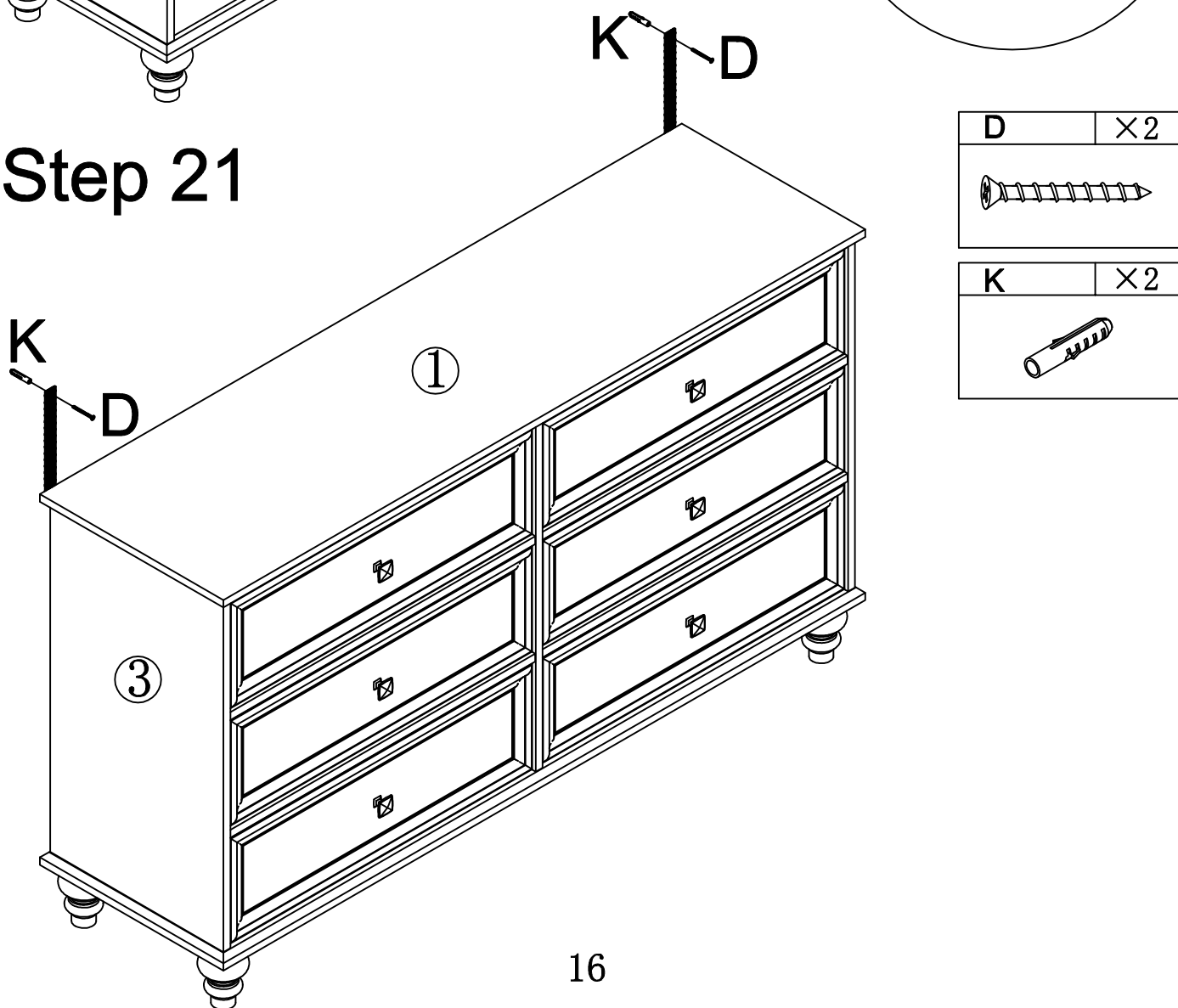
H	×18
	

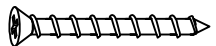
G	×2
	


J	×16
	



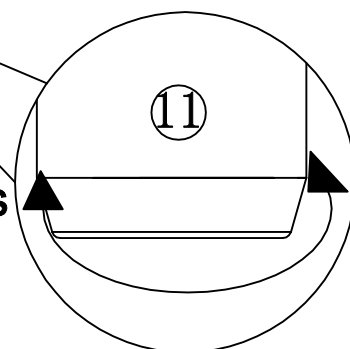
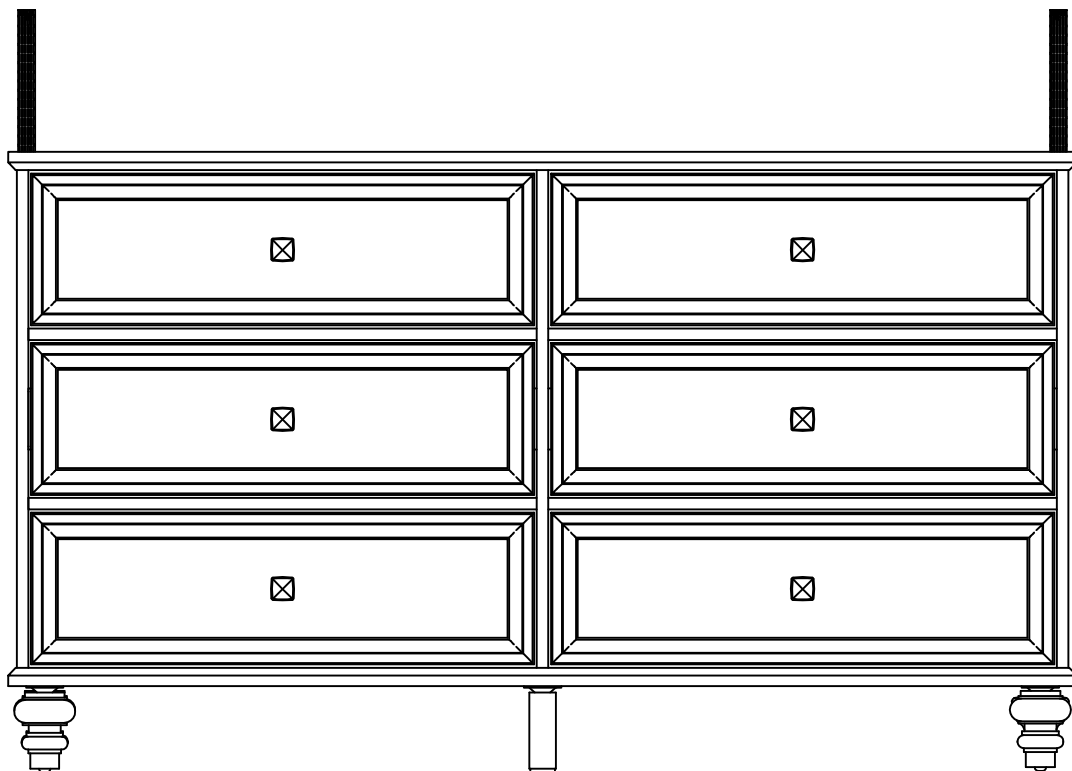
Step 21



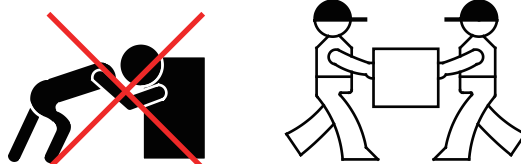
D	×2
	

K	×2
	

Step 22



If the center position of the cabinet is too high or too low due to uneven bottom plates or other reasons, adjust the adjustable foot pads on feet ①① to adjust the upper and lower height



Two people work together to move the table.
Make sure you lift it off the ground.
Don't push and pull.