

Modern Decorative Cluster Semi - Wall lamp

Caution: Please turn off power before installation and read the manual carefully, we advise you contact professional electricians to install for safety purpose.

Product Features

Style: Modern/Contemporary

Material: metal, Acrylic

Base Type: LED

Light Source Included: YES

Voltage: 120VAC

Wattage: 14W 3000K

Package includes

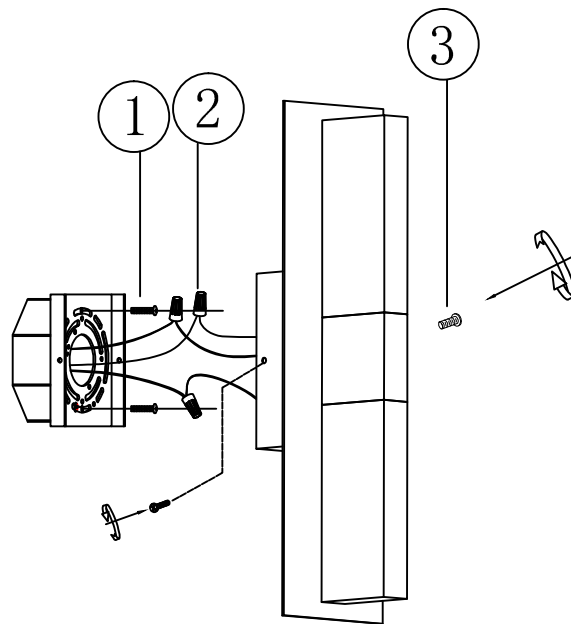
1 x wall lamp

1 x Accessories Kit

1 x User's Manual



turn off the power



INSTALLATION STEPS:

1. Secure the mounting plate to the junction box using screws.
2. Use the wire cap to tightly connect the black wire in the back plate to the black wire in the junction box. Similarly, connect the white wire in the back plate and the junction box. Make sure no bare wires are exposed to prevent electric leakage. Fix the ground wire of the lamp body and the external ground wire to the mounting plate with the green screw.
3. Secure the back plate to the mounting plate with the decorative nuts.

Note: Please use this product accordingly to its intended purpose, do not retrofit or remodeling the product. The warranty does not cover if the failure is caused by the third party product, or natural disasters.