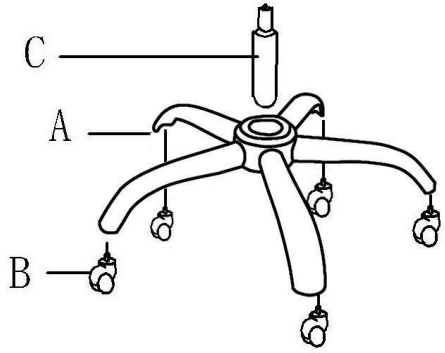
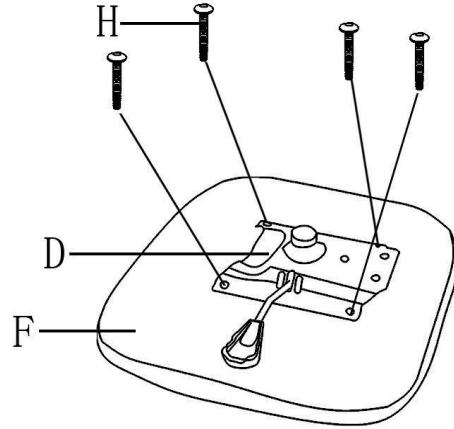


# ASSEMBLY INSTRUCTIONS

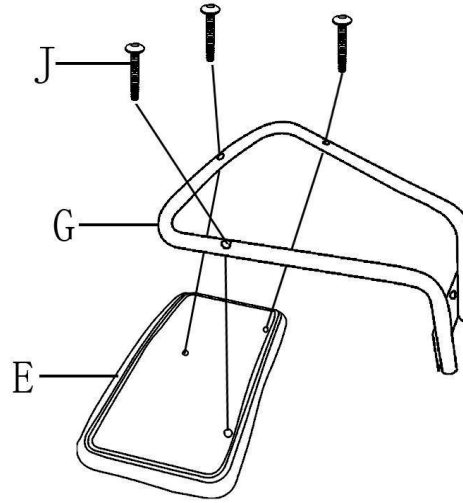
1



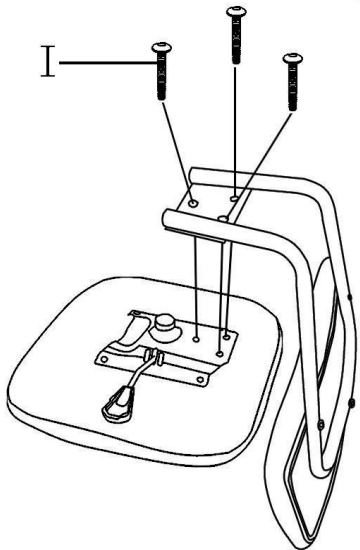
2



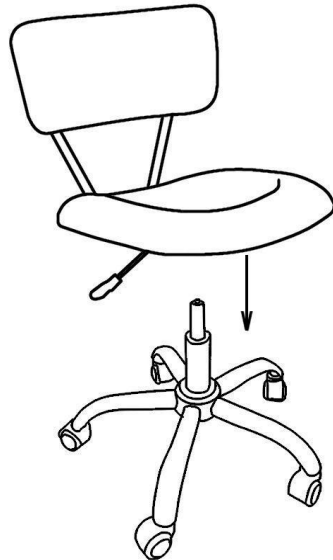
3



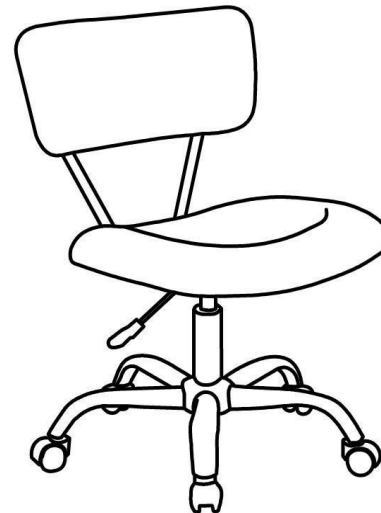
4



5



6



A



1PC

B



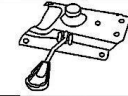
5PCS

C



1PC

D



1PC

E



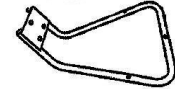
1PC

F



1PC

G



1PC

H



M6\*20

4PCS

I



M8\*20

3PCS

J



M6\*35

3PCS

K



1PC