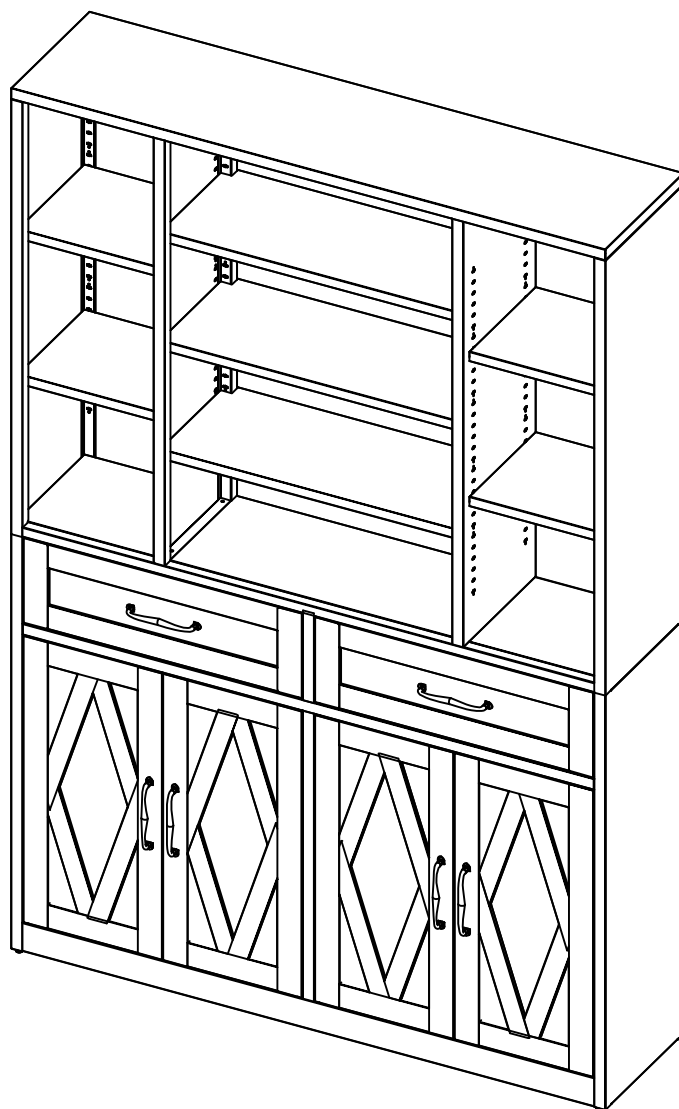
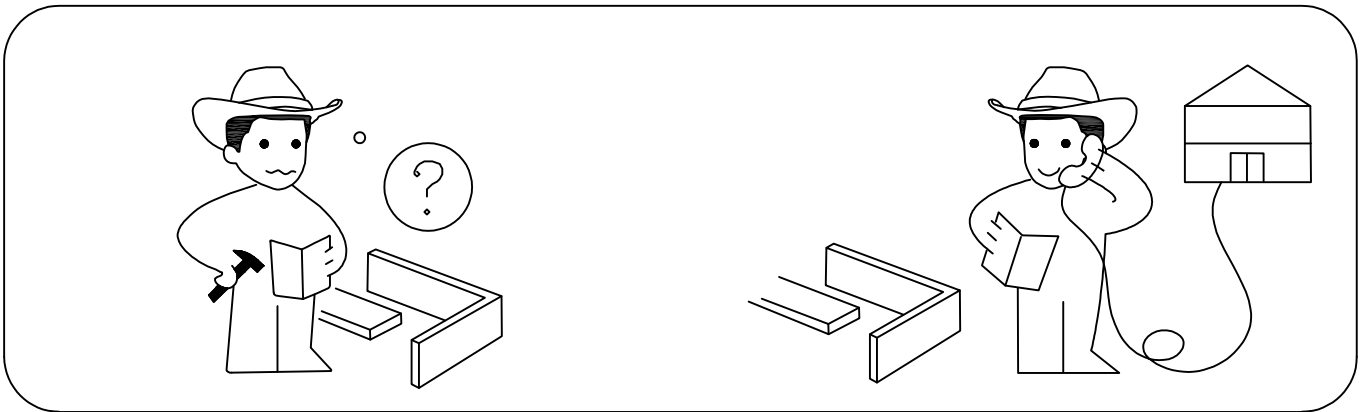
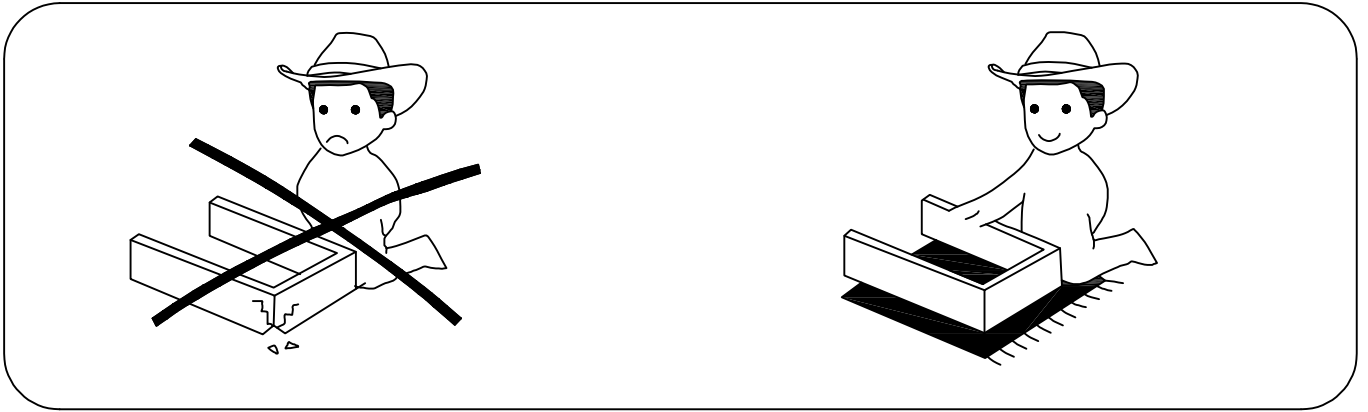
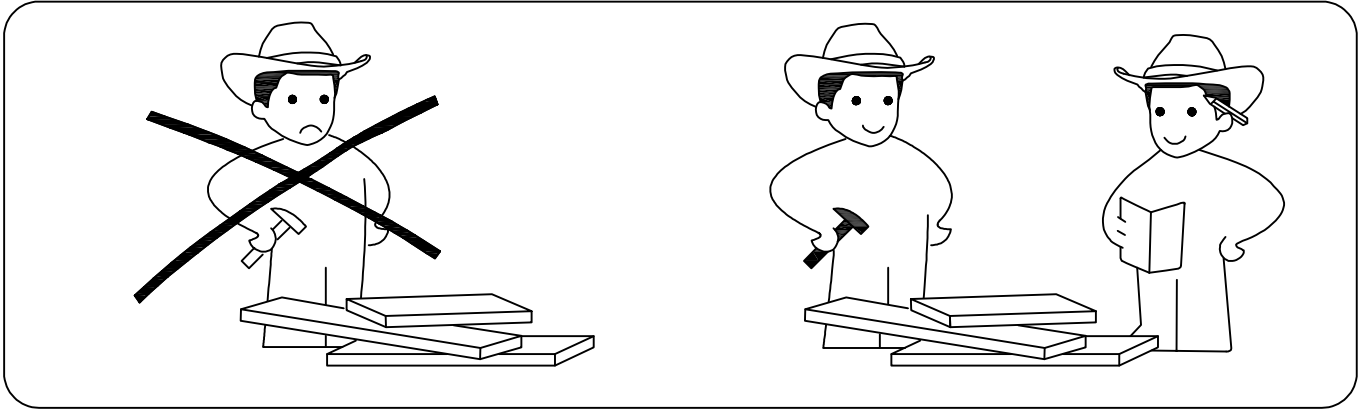
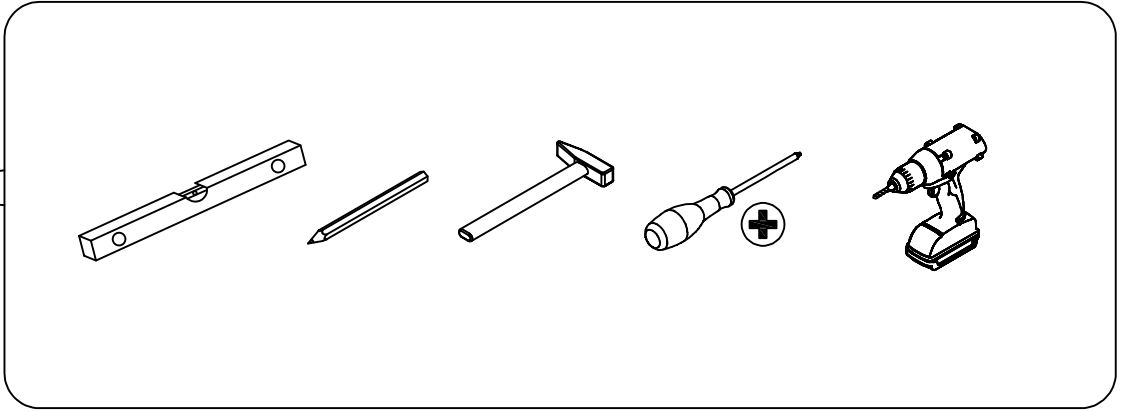
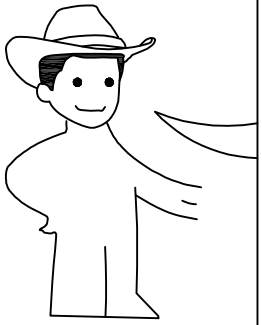
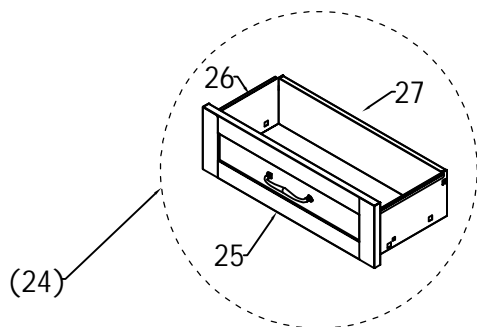
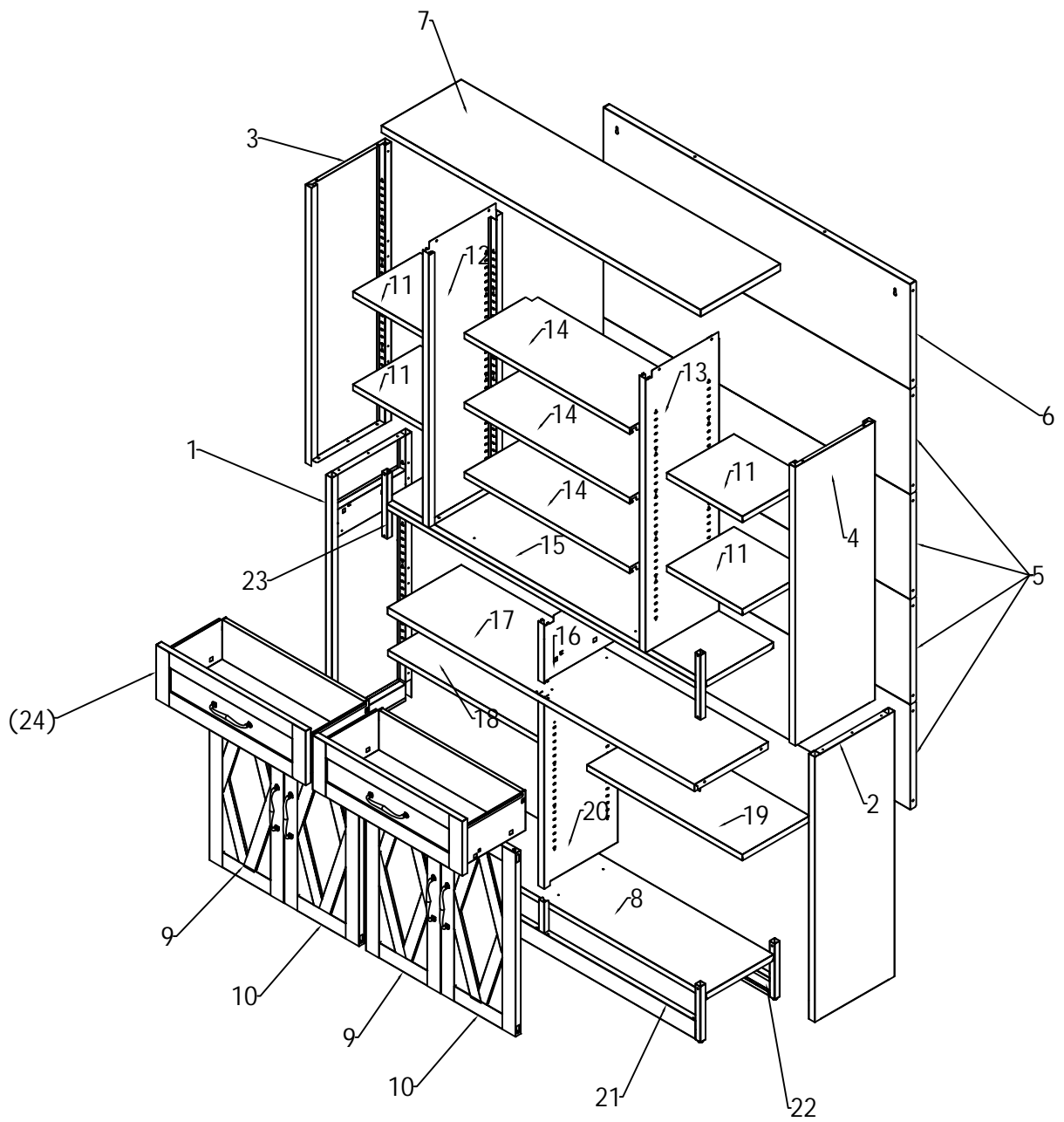


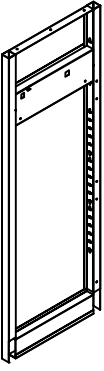
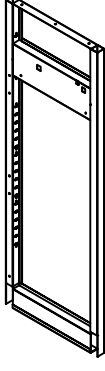
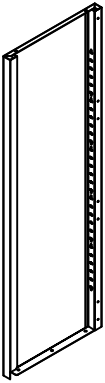
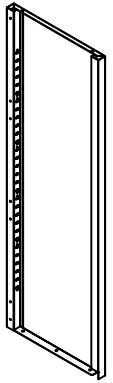
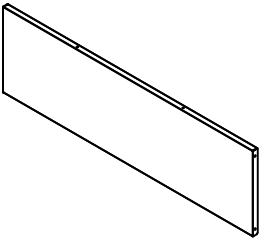
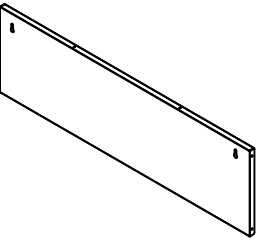
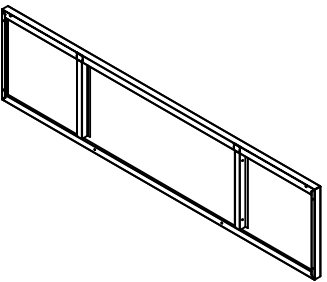
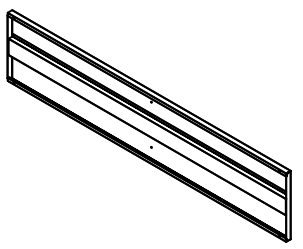
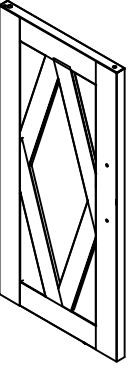
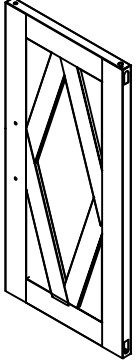
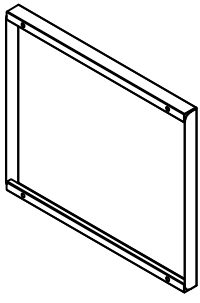
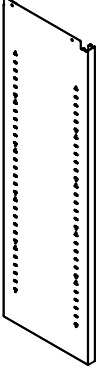
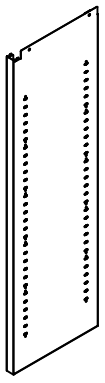
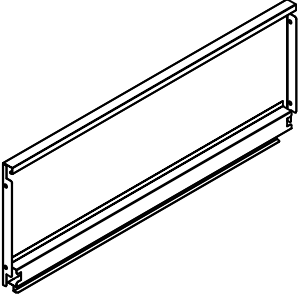
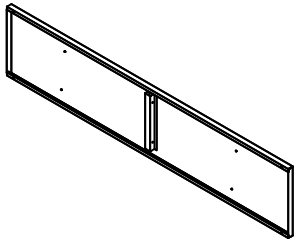
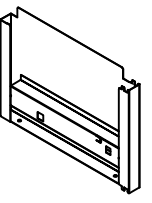
B03BC-001WM

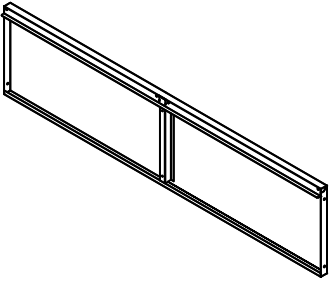
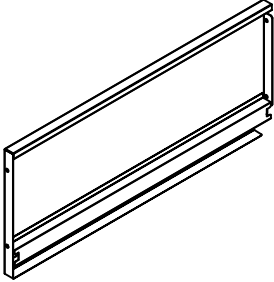
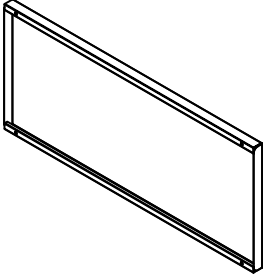
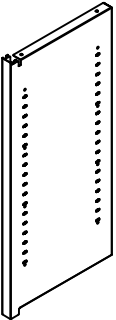
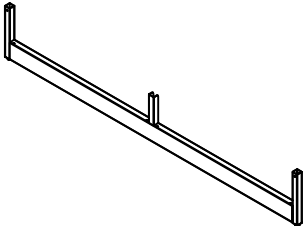
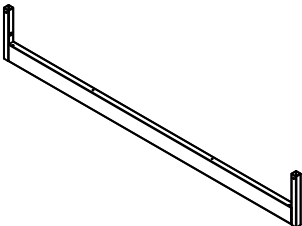
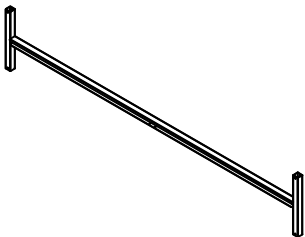
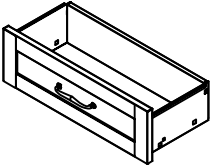
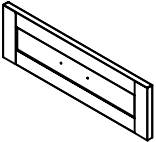
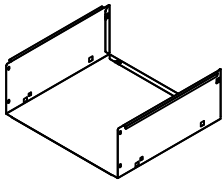
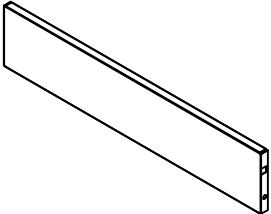

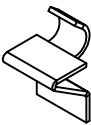














Version 1.0

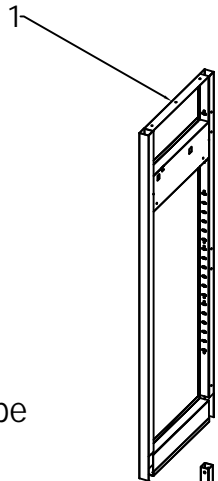




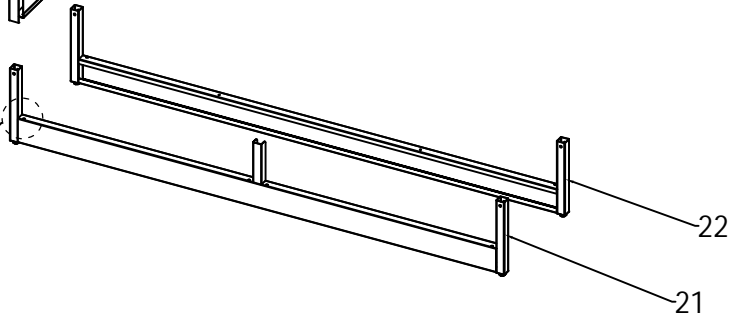
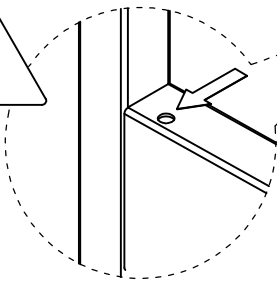
<p>1× 1*pc</p> 	<p>2× 1*pc</p> 	<p>3× 1*pc</p> 	<p>4× 1*pc</p> 
<p>5× 4*pcs</p> 	<p>6× 1*pc</p> 	<p>7× 1*pc</p> 	<p>8× 1*pc</p> 
<p>9× 2*pcs</p> 	<p>10× 2*pcs</p> 	<p>11× 4*pcs</p> 	<p>12× 1*pc</p> 
<p>13× 1*pc</p> 	<p>14× 3*pcs</p> 	<p>15× 1*pc</p> 	<p>16× 1*pc</p> 

17× 1*pc		18× 1*pc		19× 1*pc			
							
20× 1*pc	21× 1*pc	22× 1*pc	23× 1*pc	24)× 2*pcs	25× 2*pcs	26× 2*pcs	27× 2*pcs
							
A×6*pcs	B×36*pcs	C×4*pcs	D×16*pcs	E×70*pcs	F×8*pcs	G×4*pcs	H×8*pcs
				M4×10 	M4×22 	M4×5 	
I×2*pcs	J×2*pcs	K×2*pcs	L×2*pcs				
							

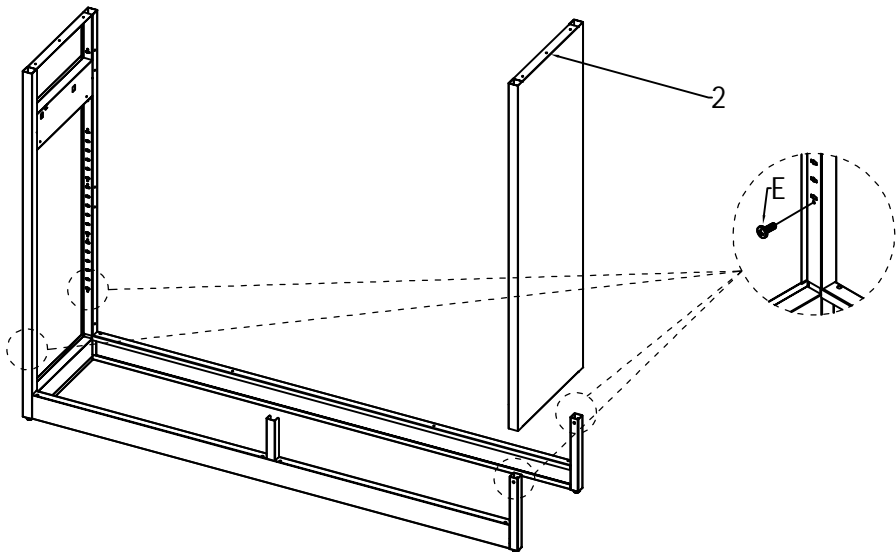
1



The hole must be facing outward.

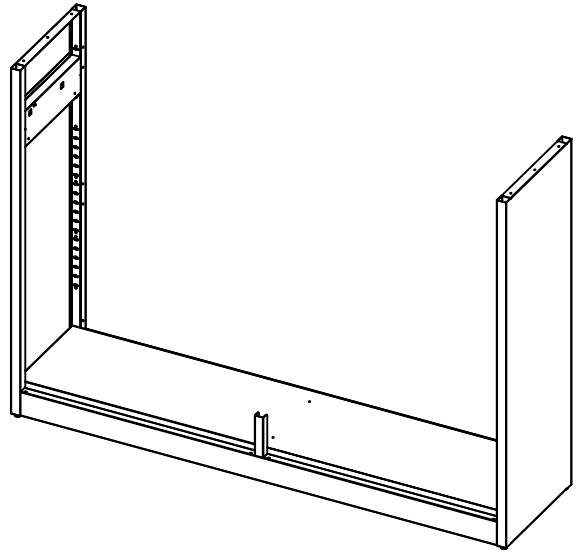
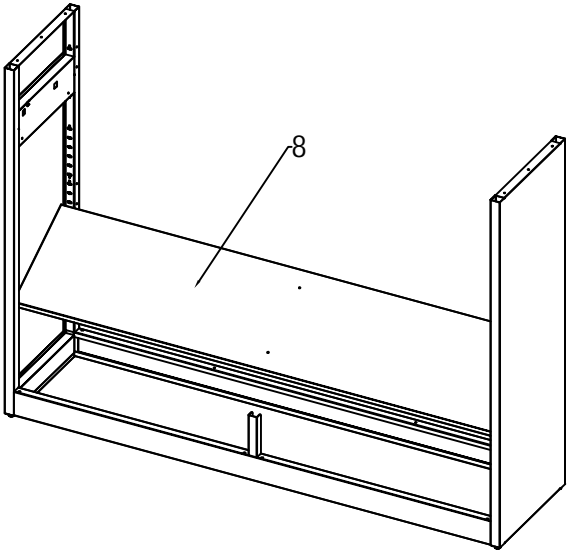


2

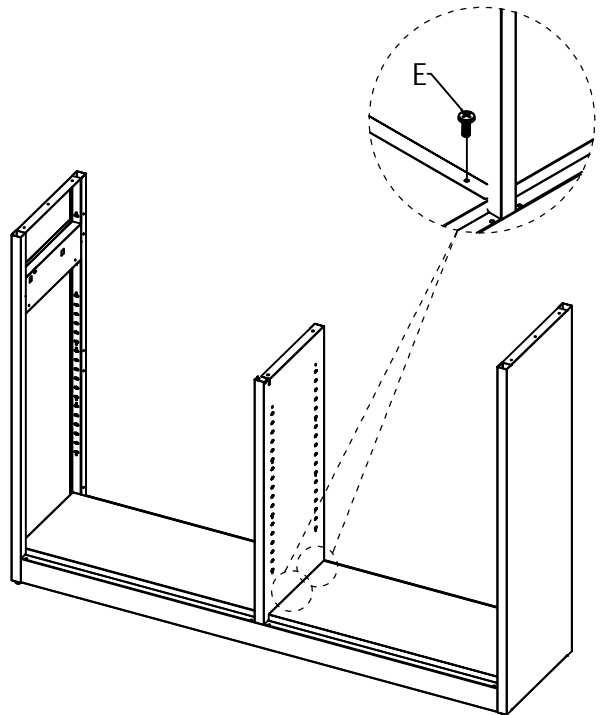
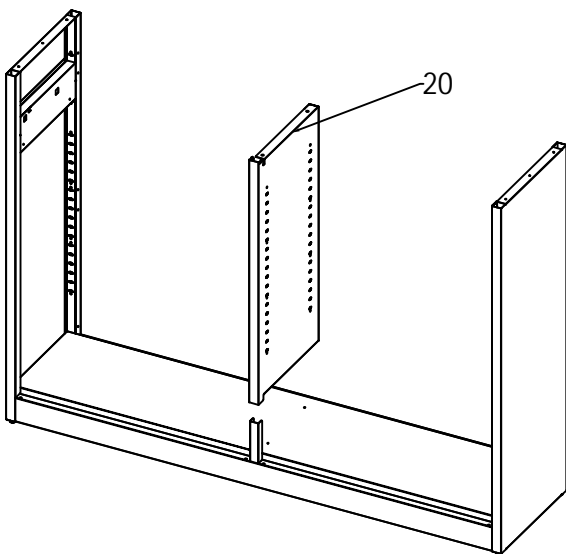



E×4 

3

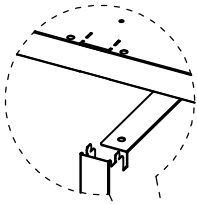


4

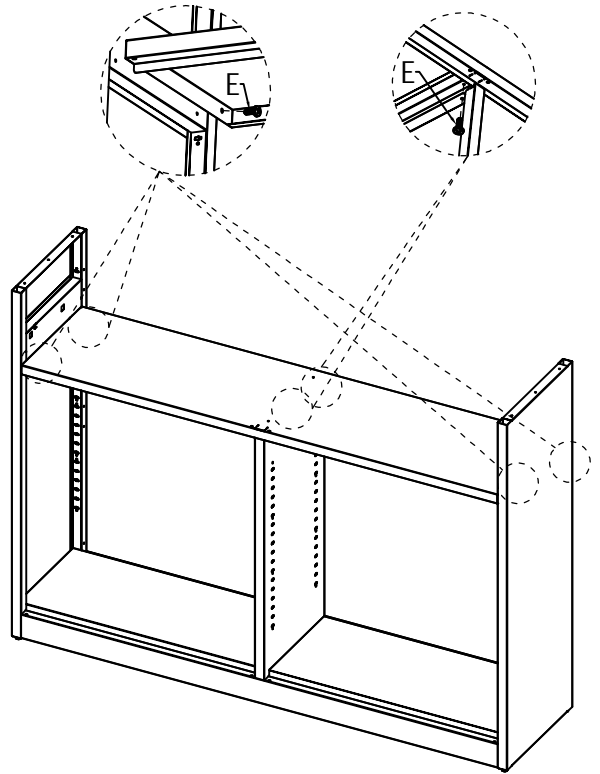
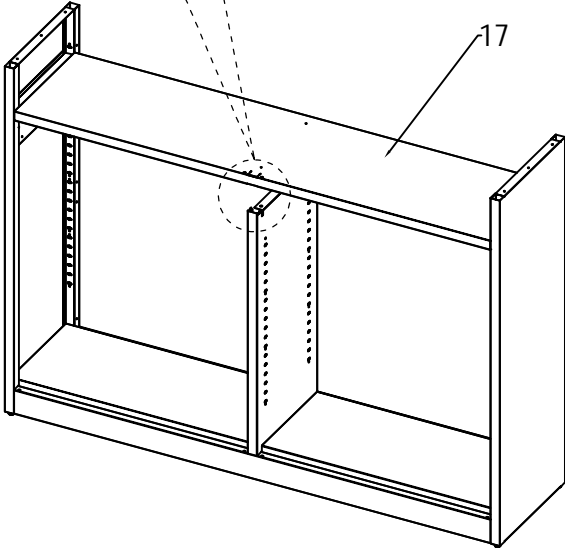


E×2 

5

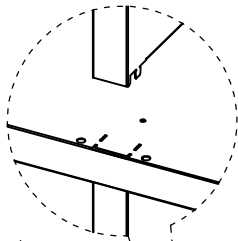


Align the connector and insert it.

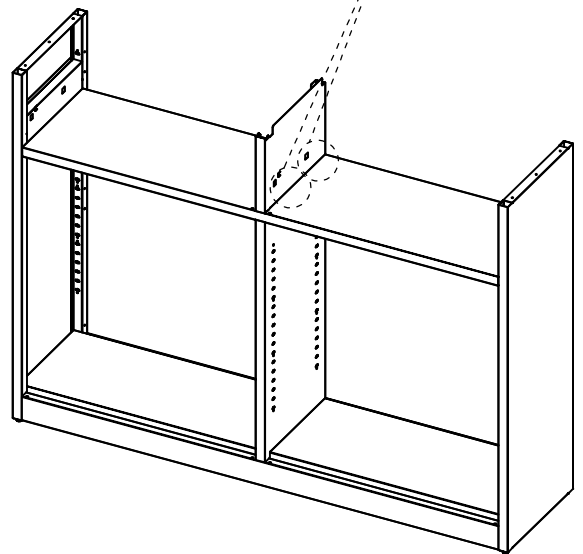
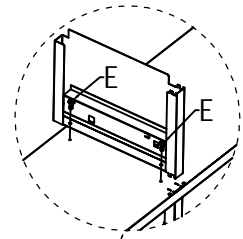
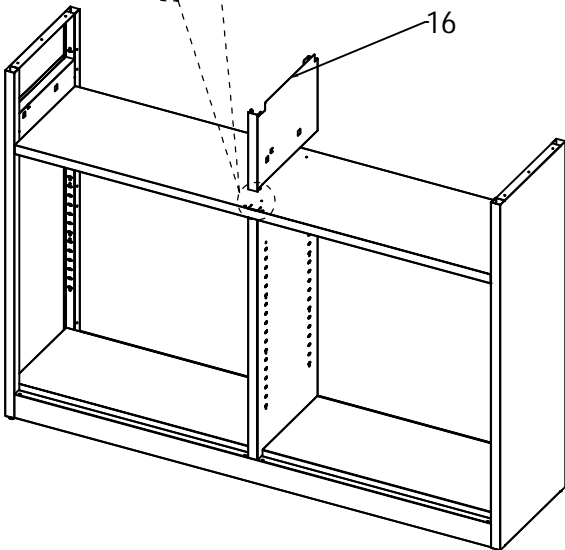



E×6 

6

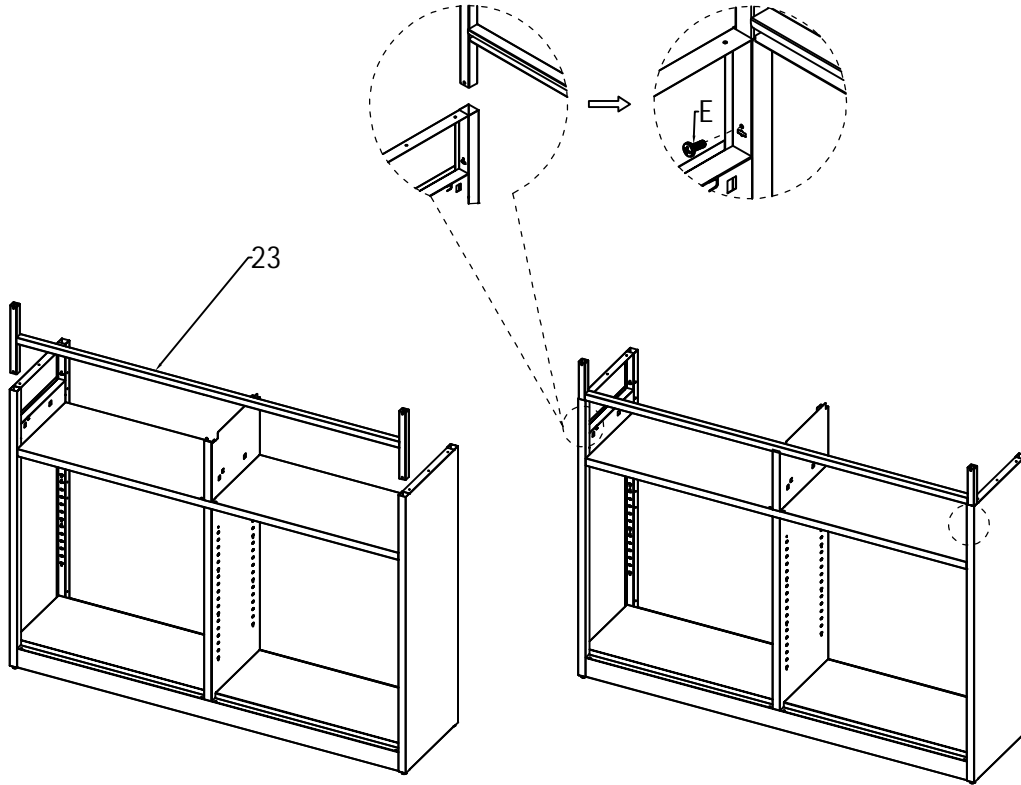


Align the connector and insert it.



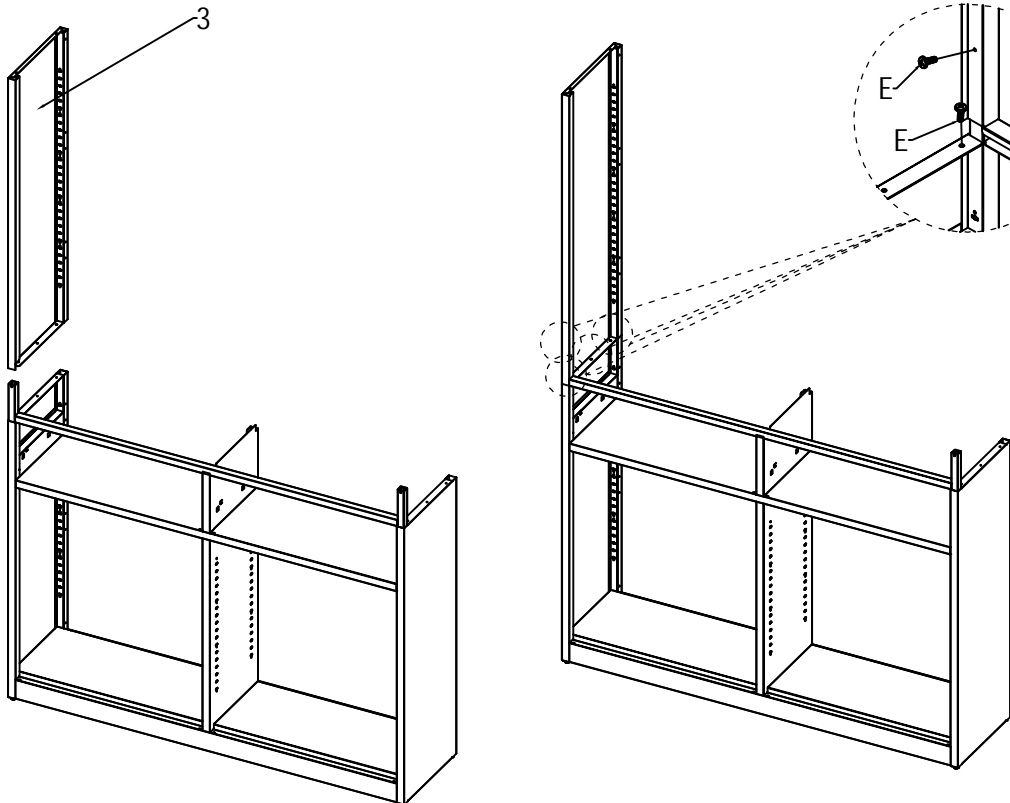
E×2 

7



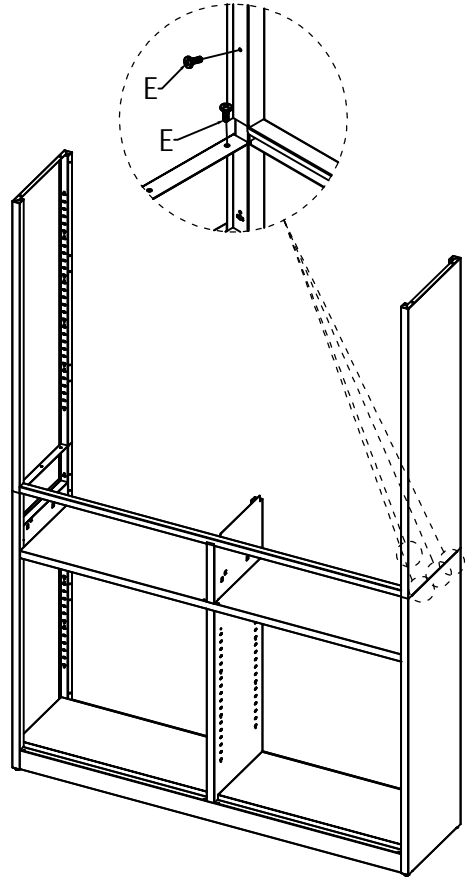
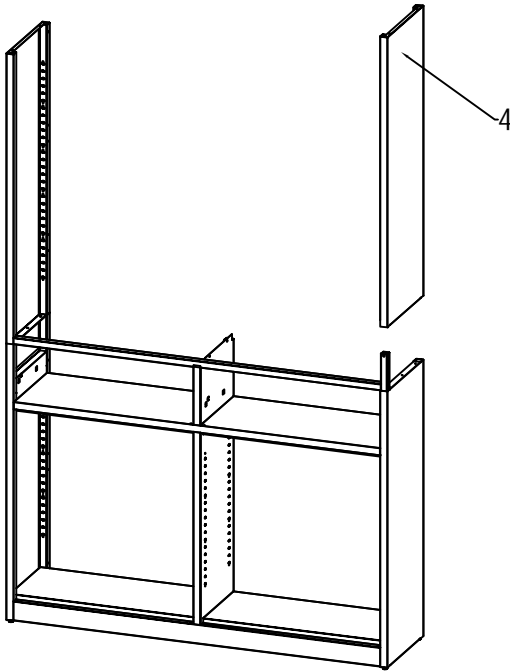
E×2 

8



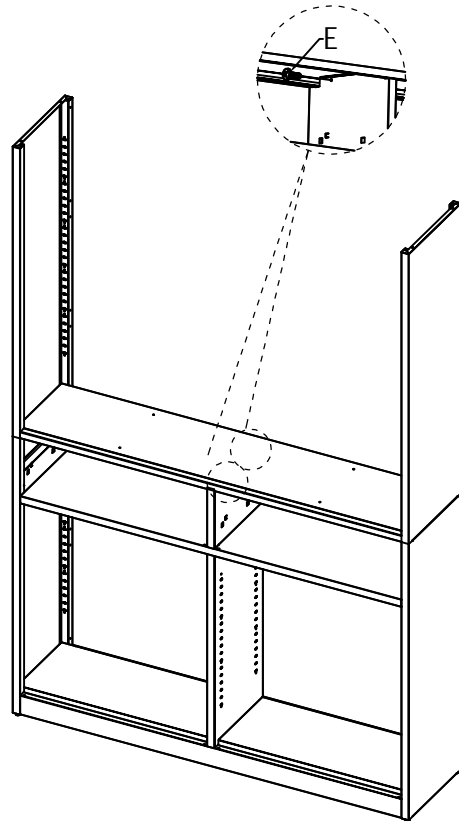
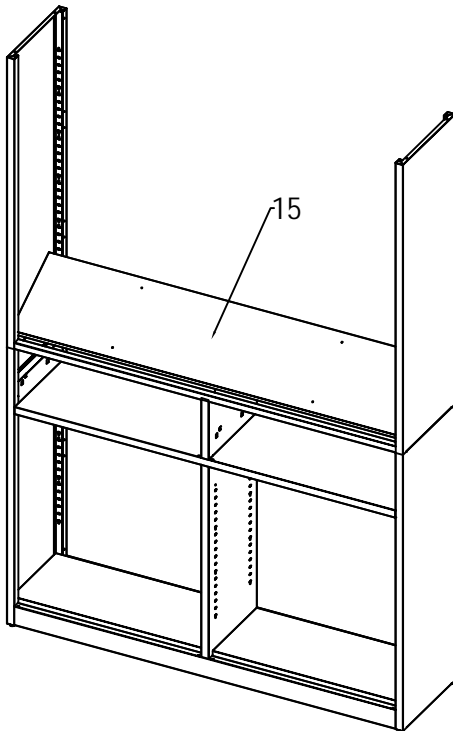
E×4 


9



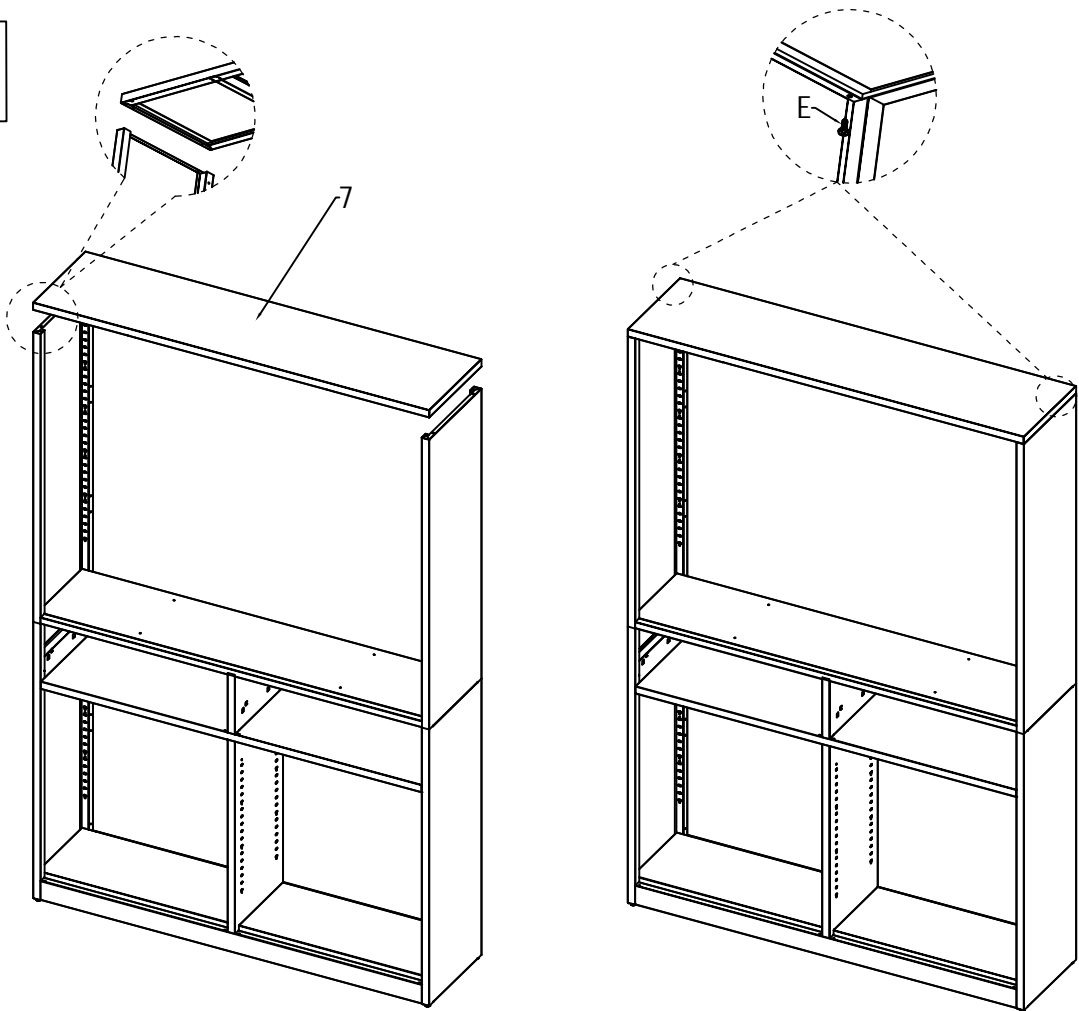
E × 4 


10



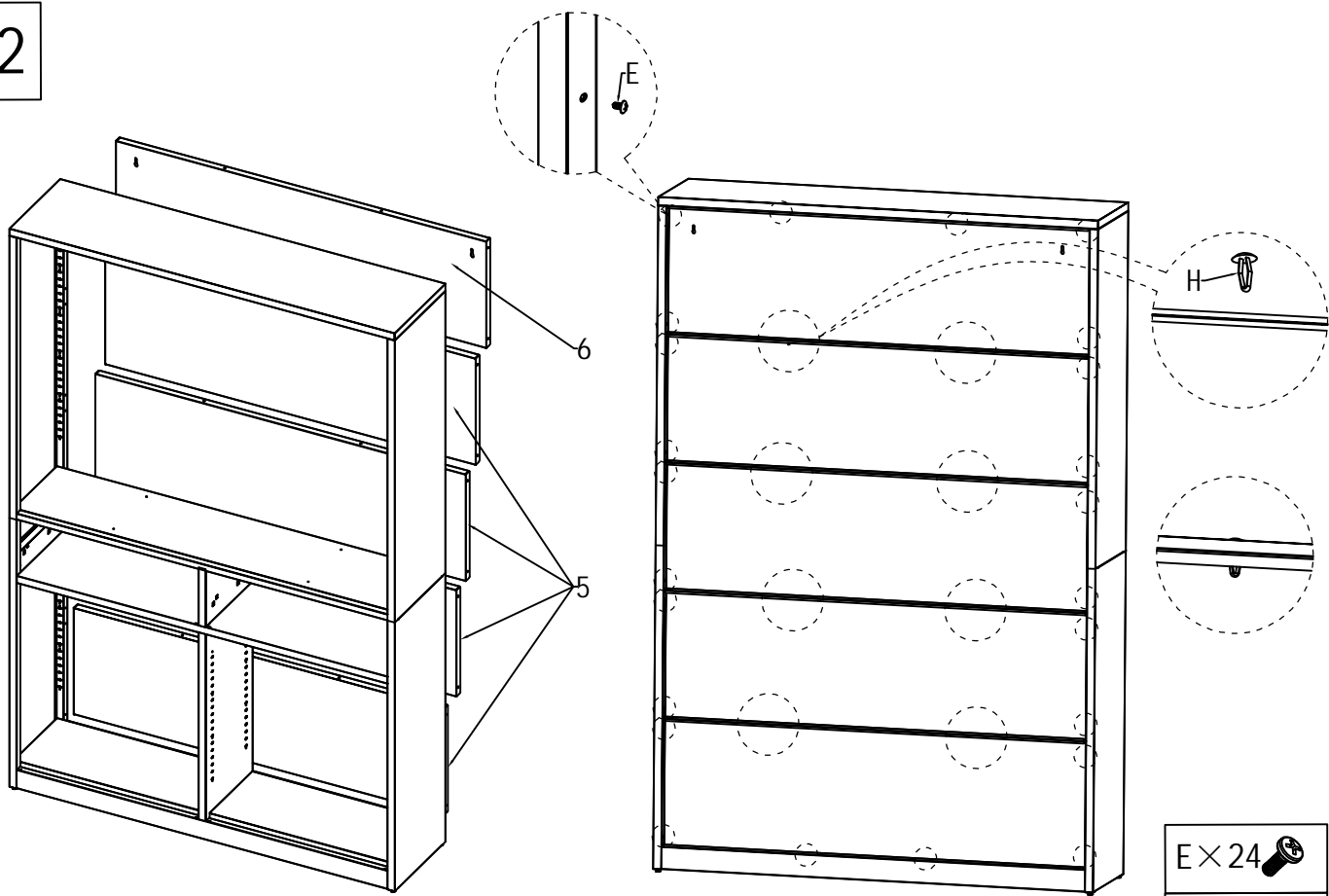
E × 2 

11




E × 2 

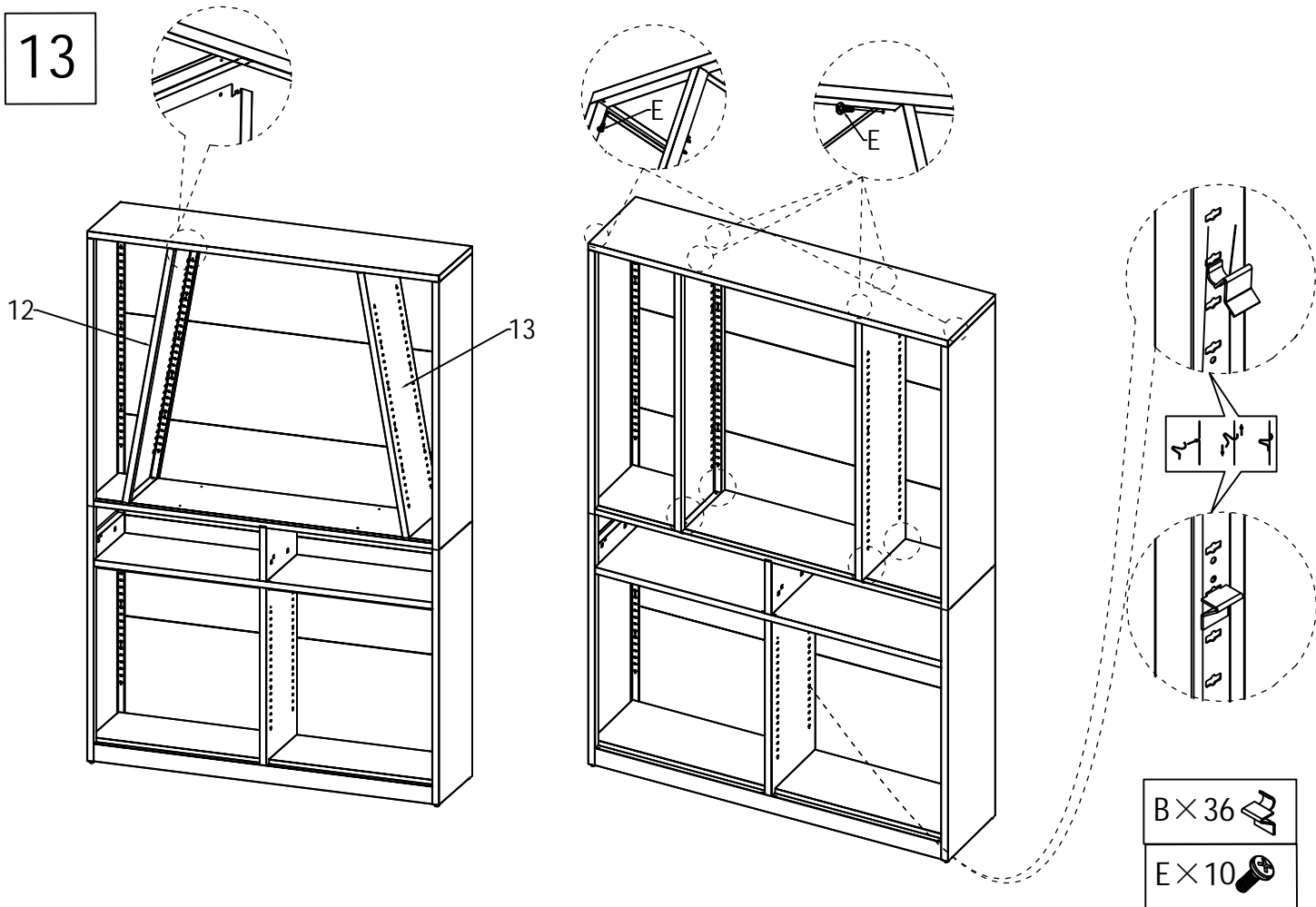
12



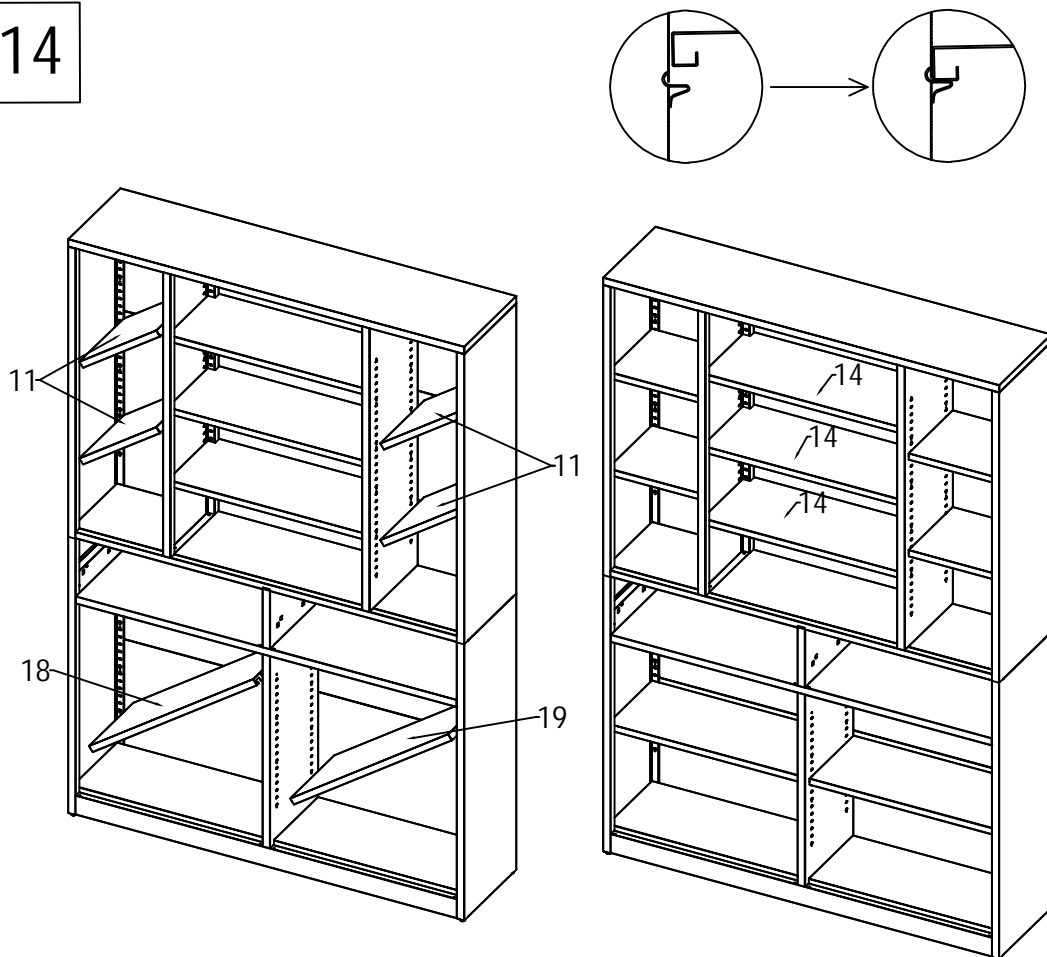
E × 24 

H × 8 

13

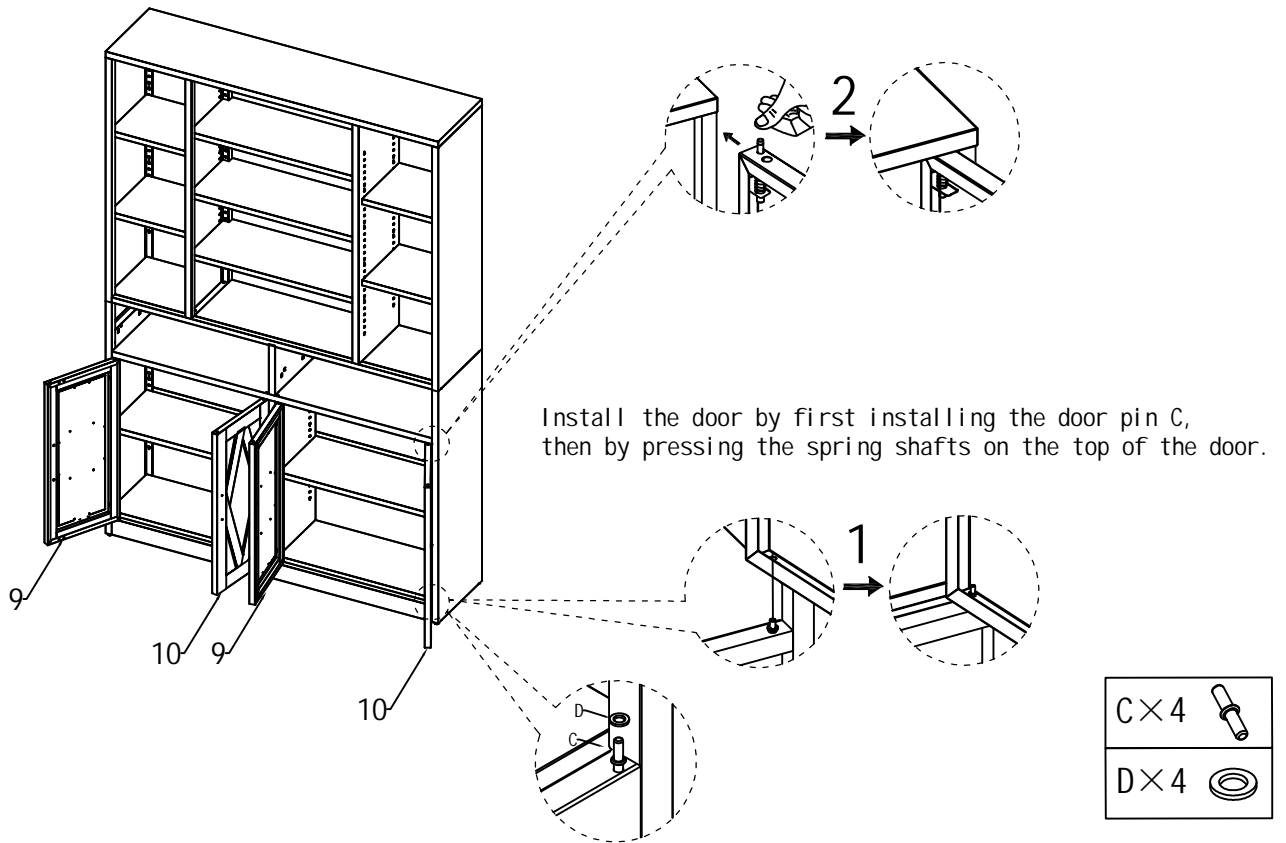


14

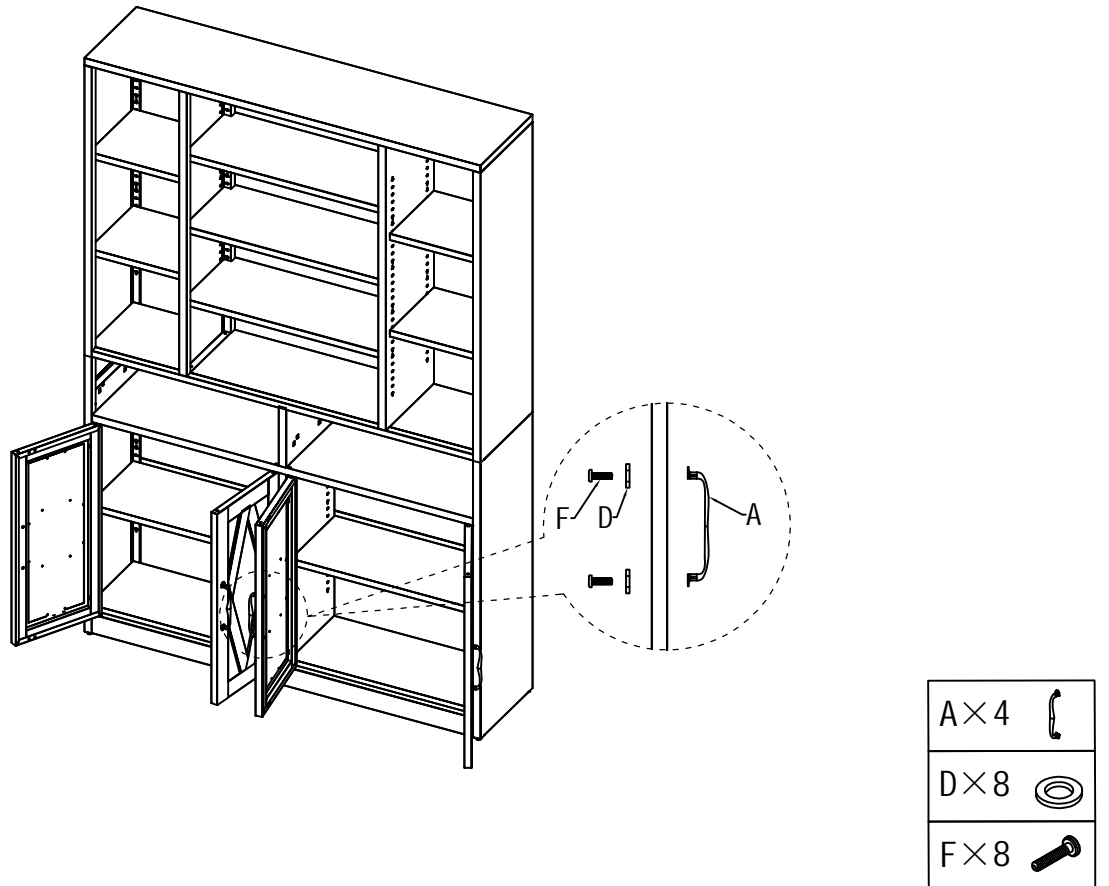


15

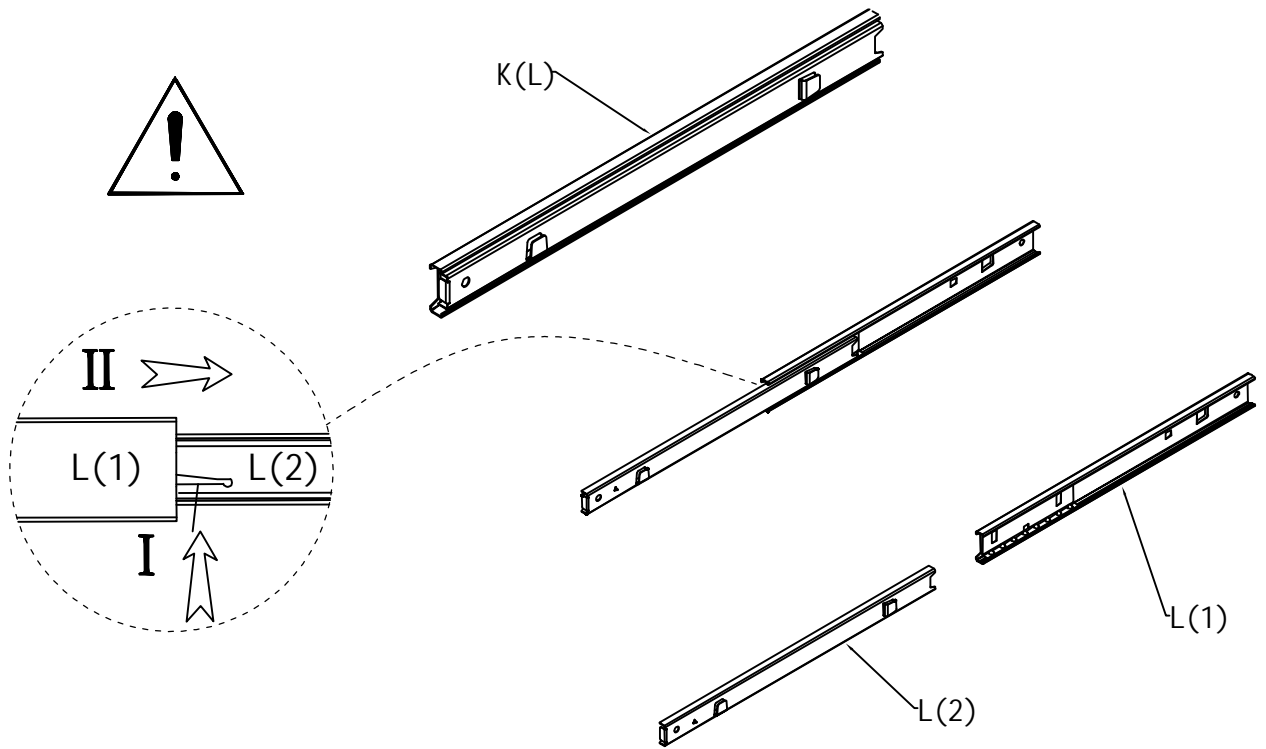
If the spring screw is missing from the door, you can find the screw L in the hardware package to install it.



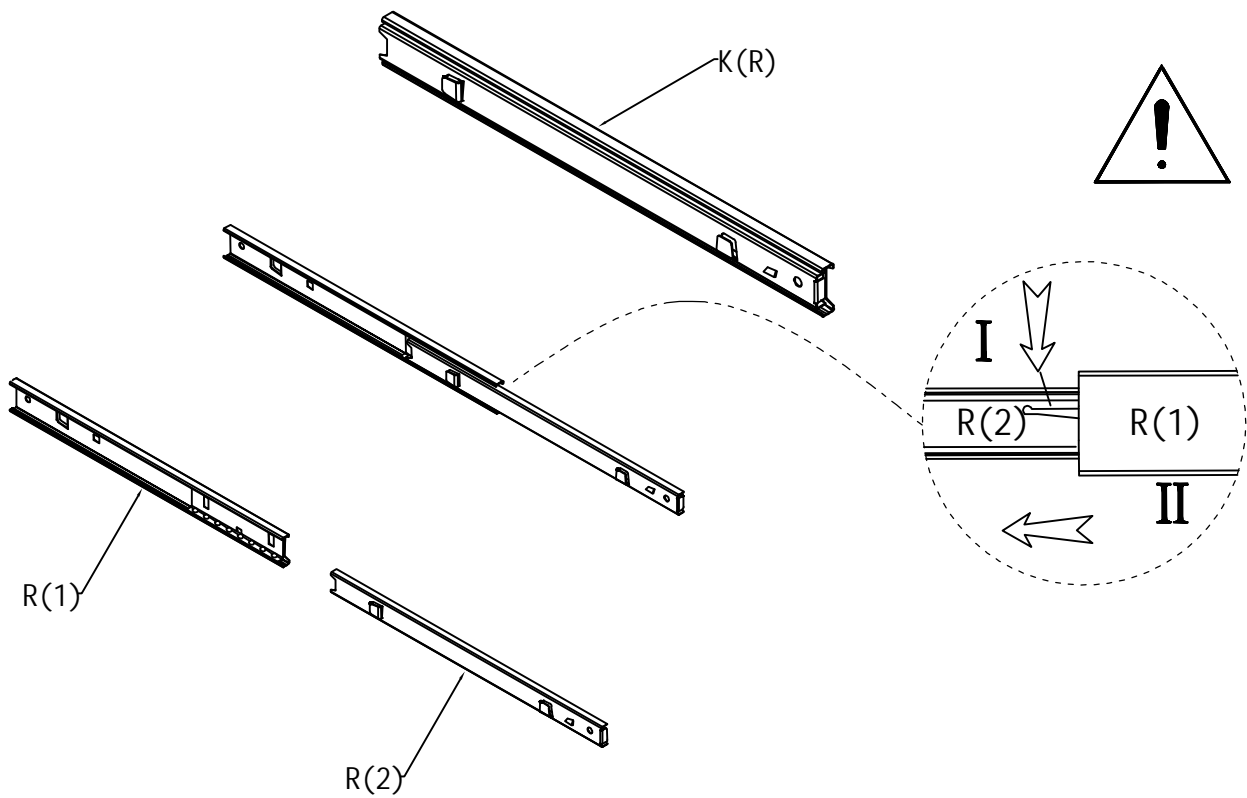
16



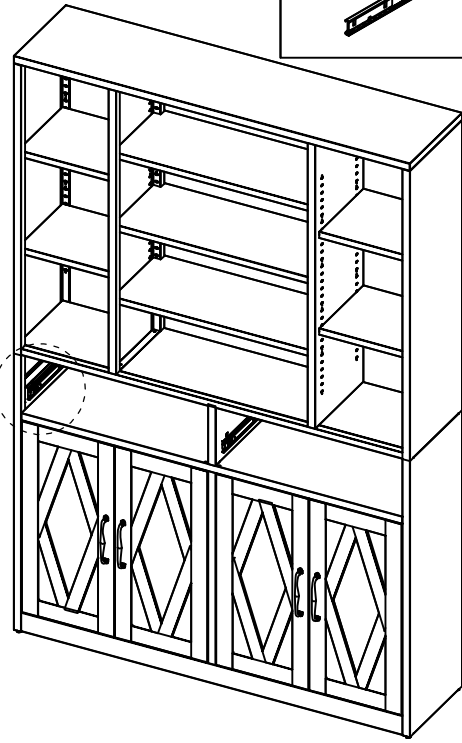
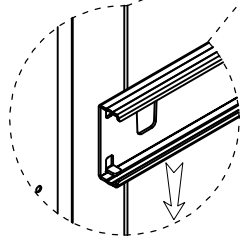
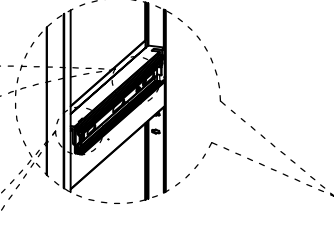
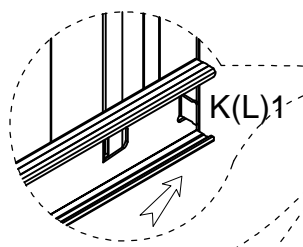
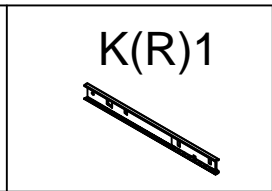
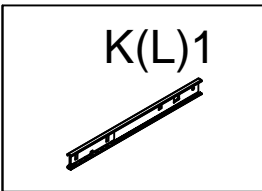
17



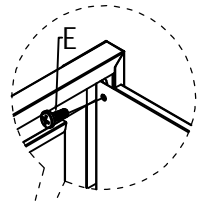
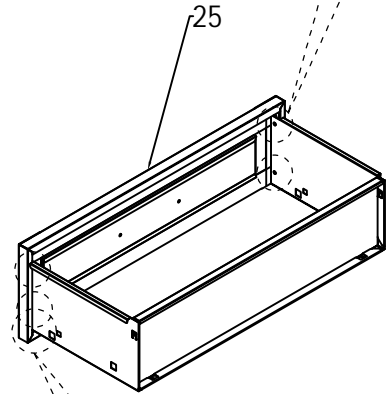
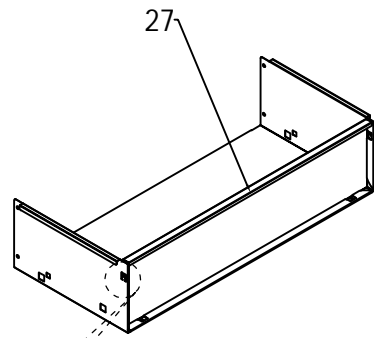
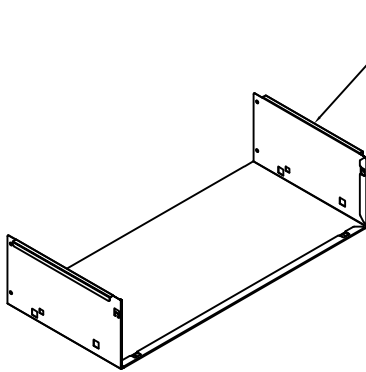
18



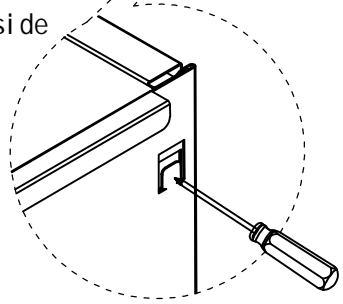
19



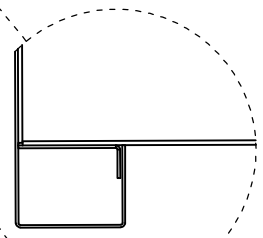
20



Use a tool to bend the metal tab on the drawerside into the back panel

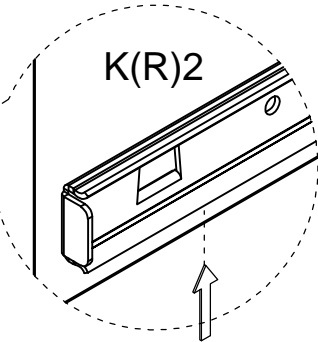
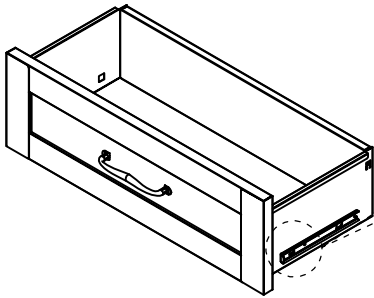
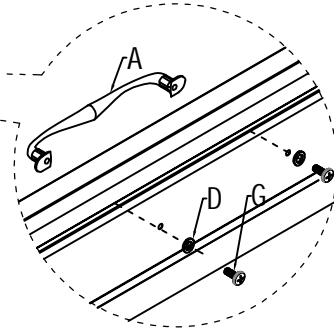
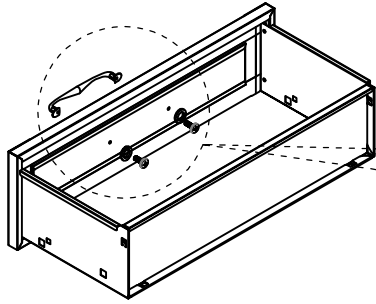
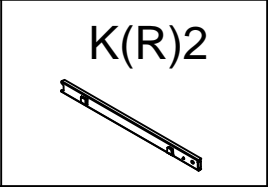
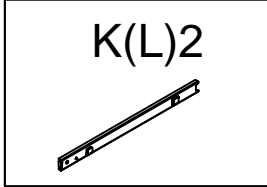


The connecting tab under the drawer side clips into the inside of the drawer front.



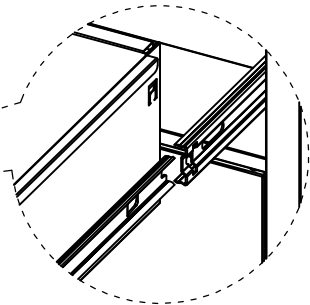
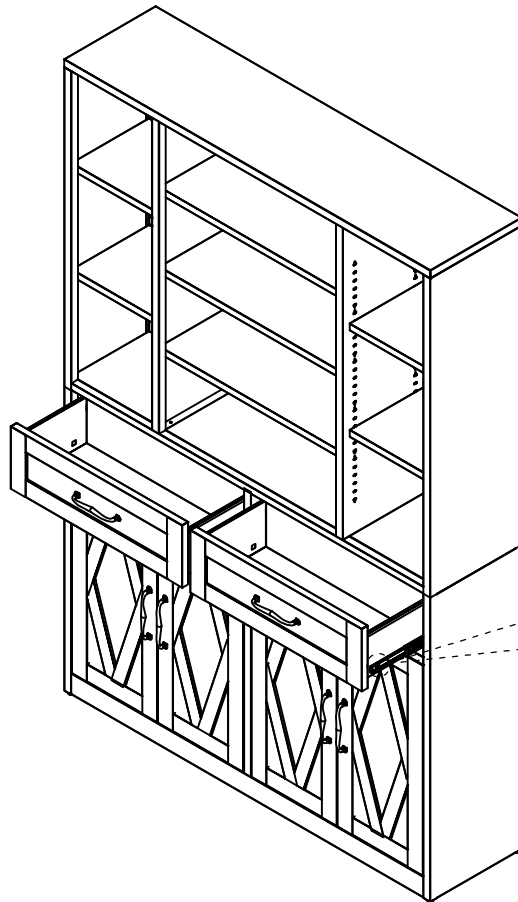
E×8 

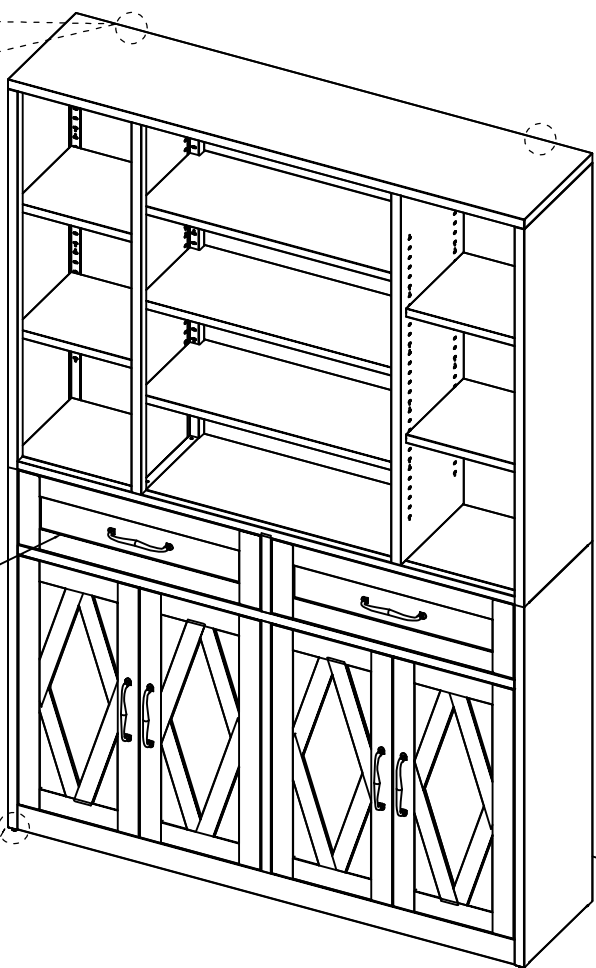
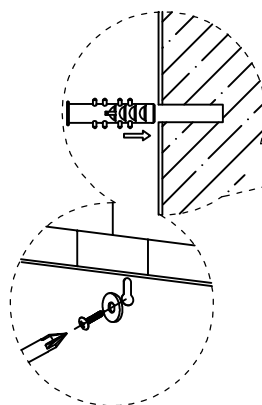
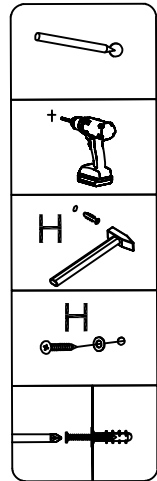
21



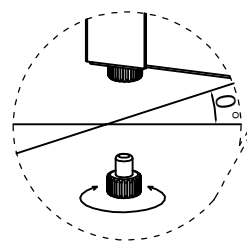
- | | |
|-----|--|
| A×2 | |
| D×4 | |
| G×4 | |
| K×2 | |

22





(24)



If the ground is uneven, it can be adjusted by rotating the screw .
This will fix the situation where the door is not easily opened or closed.

