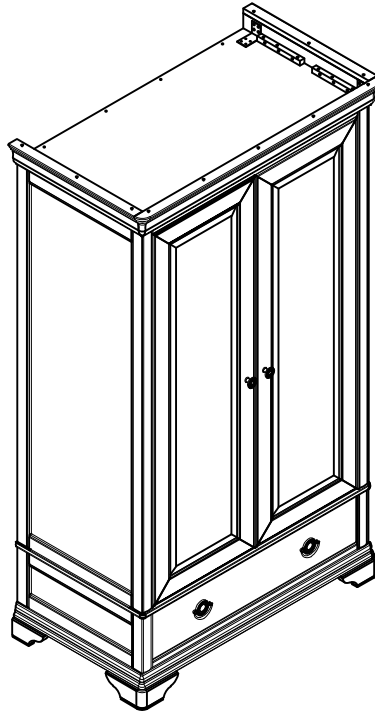


DOUBLE WARDROBE

Thank you for purchasing this product. Please read the instructions carefully before use to ensure safe and satisfactory operation of this product.

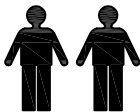


Pre-assembly preparation

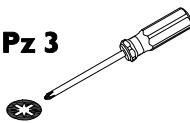
Please ensure instructions are read in full before attempting to assemble this product.

Necessary Tools: Pozi screwdriver and Phillips screwdriver

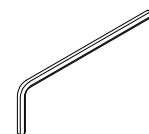
(Included)



Pz 2 or Pz 3



Ph 2



Please check the pack contents before attempting to assemble this product. A full checklist of components is given in this leaflet. If any components are missing, please contact the retailer from whom you bought this product.

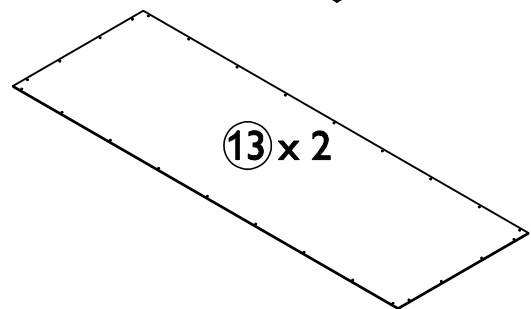
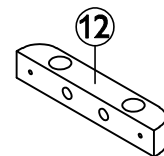
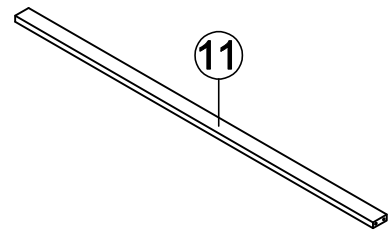
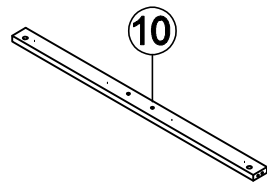
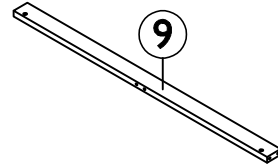
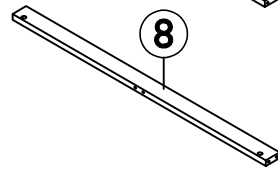
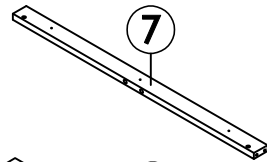
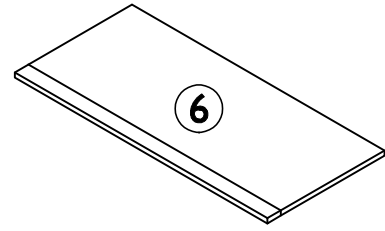
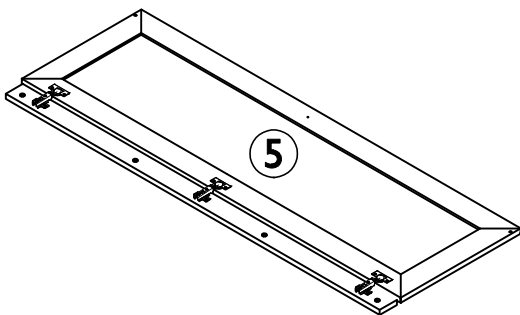
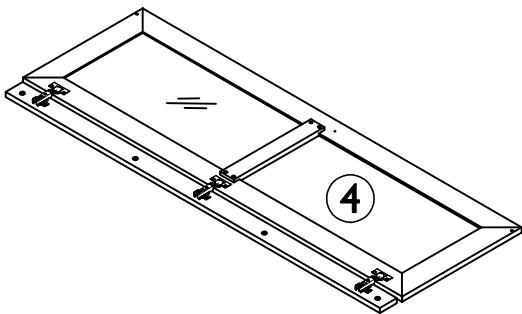
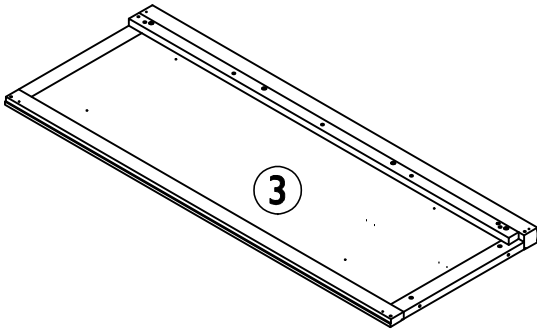
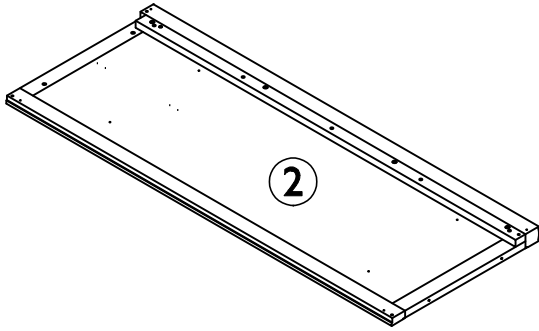
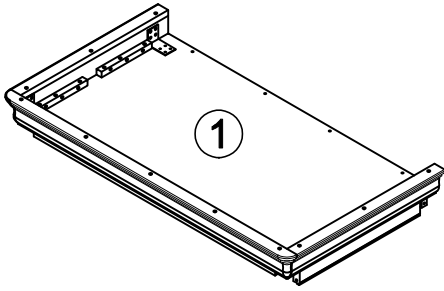
This product takes approximately **60 MINUTES** to assemble with **2 PEOPLE**.

All assembly should be performed on a flat, stable, clean and soft surface.


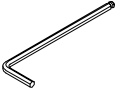




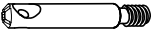




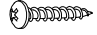


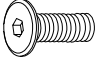

This product is **HEAVY**, it should be assembled as near as possible to the point of use. **TAKE CARE WHEN LIFTING** to avoid personal injury and (or) damage to the product

The fitting pack contains **SMALL ITEMS** which should be **KEPT AWAY FROM YOUNG CHILDREN**.

IMPORTANT: Retain these instructions for future reference.



Fittings and parts checklist

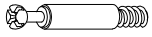
Item	Description	Qty.		Item	Description	Qty.	
1	Top panel	x 1		8	Top back rail	x 1	
2	Right side panel	x 1		9	Bottom back rail	x 1	
3	Left side panel	x 1		10	Top front rail	x 1	
4	Right door	x 1		11	Vertical back rail	x 1	
5	Left door	x 1		12	Wood stopper	x 1	
6	Removable shelf	x 1		13	Back panel	x 2	
7	Bottom front rail	x 1					
A	Cam screw		x 4	J	Allen key		x 1
B	Cam lock		x 4	K	Confirmat screw Ø7 x 50mm		x 4
C	Dowel Ø8 x 30mm		x 14	L	Handle		x 2
D	Steel dowel Ø7 x 49.5mm		x 8	M	Round head bolt Ø4 x 25mm		x 2
E	Grub screw		x 8	N	Round head screw Ø3.5 x 15mm		x 52
F	Hanger rail support		x 4	P	Round head screw Ø4x25mm		x 12
G	Varianta screw Ø4.2 x 10.5mm		x 8	Q	Wood shelf support		x 4
H	Hex head bolt M6x25mm		x 8	R	Hanger rail		x 1

Step By Step Assembly Instructions

Step 1

- 1.1 : Lay all parts on a flat, stable, clean and soft surface.
- 1.2 : Attach 4x cam screws (A) into the pre-drilled holes on side panels (2) & (3) as shown. Use a pozi screwdriver to turn fittings (A) clockwise to fix.
- 1.3 : Attach 4x steel dowels (D) into side panels (2) & (3) by screwing fittings (D) into the pre-drilled holes on side panels (2) & (3) as shown. Use a pozi screwdriver to turn fittings (D) clockwise to fix.
- 1.4 : Attach 4x hanger rail support (F) onto side panels (2) & (3) using 8x varianta screws (G) as shown. Use a pozi screwdriver to turn fittings (G) clockwise to fix.

Fitting
Fitting



A x 4



D x 4

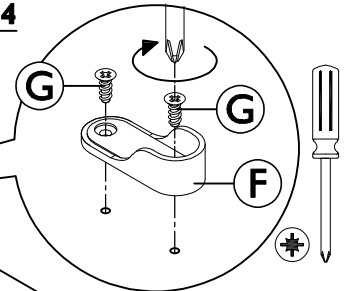


F x 4

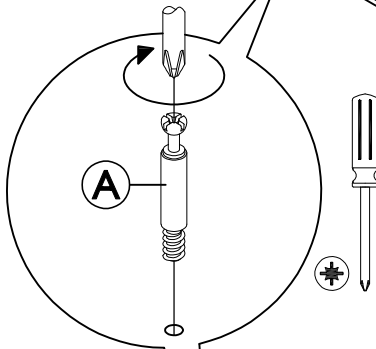


G x 8

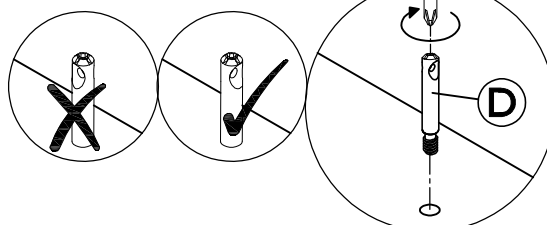
Step 1.4



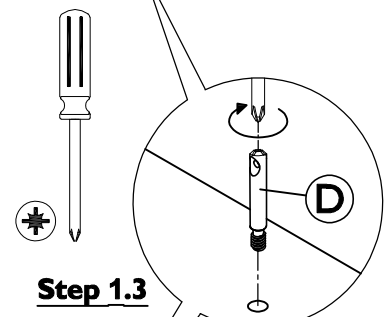
Step 1.2



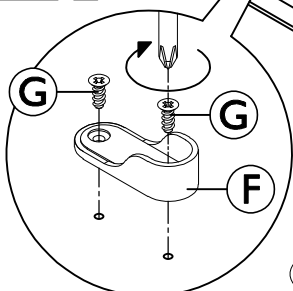
Step 1.3



Step 1.3



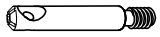
Step 1.4



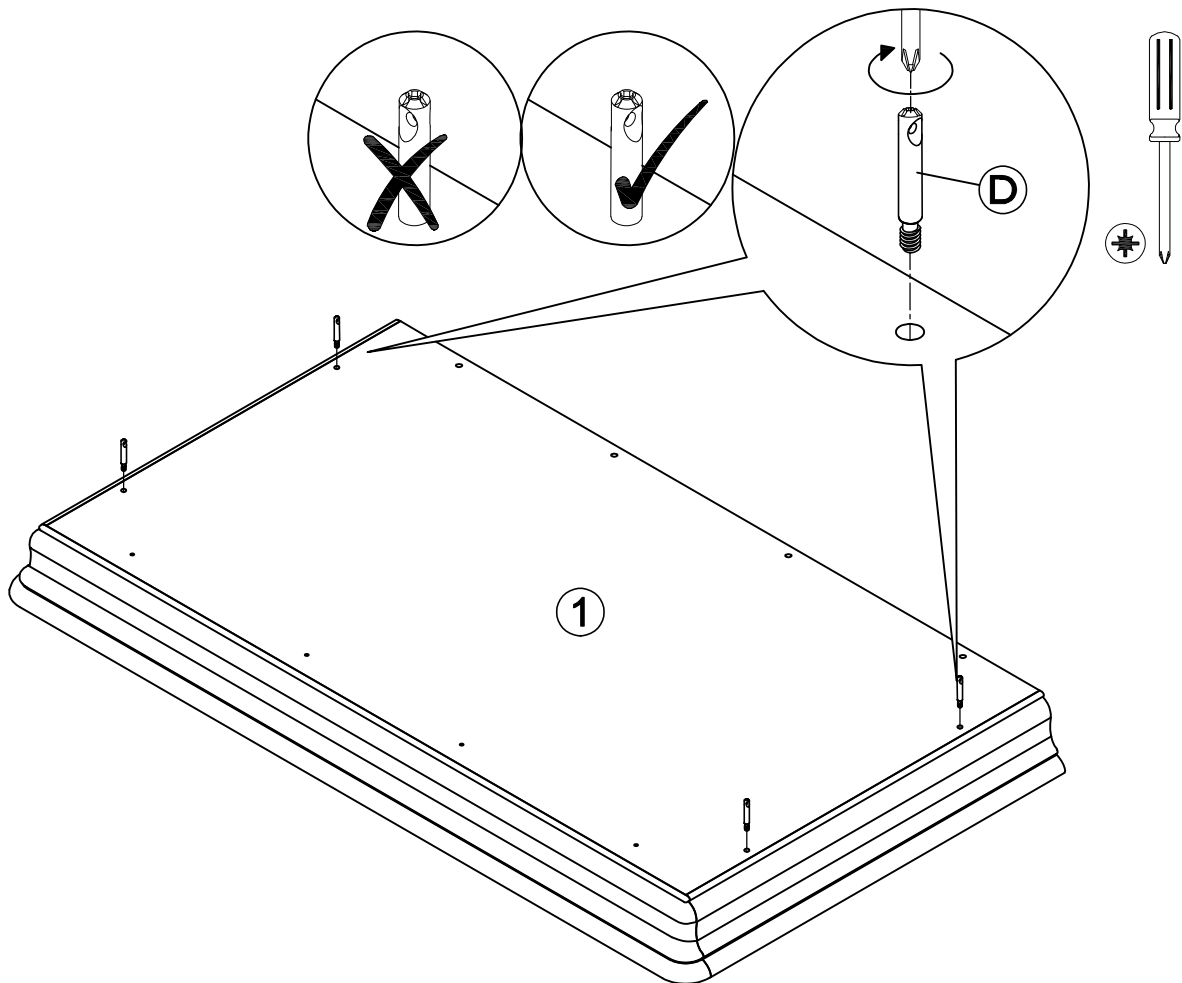
Step By Step Assembly Instructions

Step 2 Attach 4x steel dowels (D) into top panel (1) by screwing fittings (D) into the pre-drilled holes on side panels (1) as shown. Use a pozi screwdriver to turn fittings (D) clockwise to fix.

Fitting



D x 4



Step By Step Assembly Instructions

Step 3

- 3.1 : Insert 14x dowels (C) into the pre-drilled holes on rails (7), (8), (9), (10), (11) & wood stopper (12) as shown.
- 3.2 : Attach wood stopper (12) onto top front rail (10) as shown. Ensure dowels (C) are aligned correctly with the holes of top front rail (10) before attaching.
- 3.3 : Secure wood stopper (12) to top front rail (10) using 2x round head screw (P) as shown. Use a phillips screwdriver to turn fittings (P) clockwise to fix.

Fitting



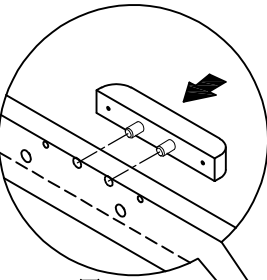
C x 14



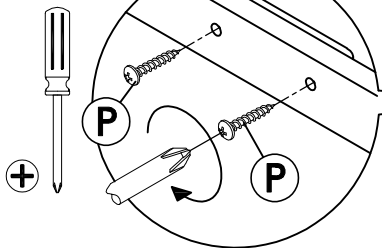
P x 2

Step 3.1

Step 3.2



Step 3.3

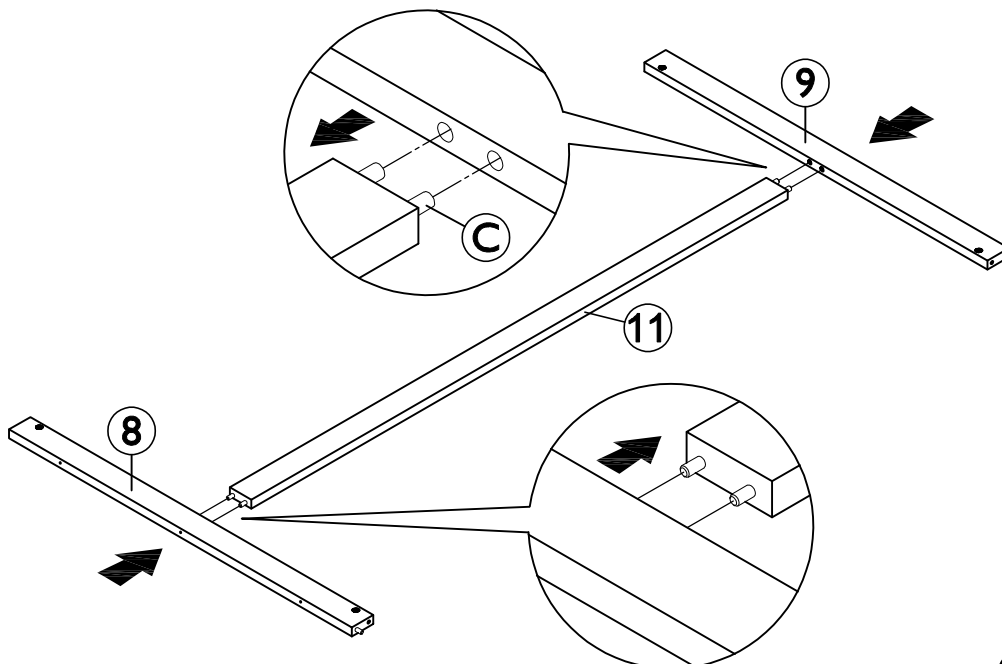


Step 3.1

Step 3.2

Step 4

- 4 : Attach rails (8), (9) onto vertical rail (11) as shown. Ensure dowels (C) are aligned correctly with the holes of mating parts before attaching.



Step By Step Assembly Instructions

- Step 5** 5.1 : Attach rails (7), (8), (9) & (10) onto left side panel (3) as shown. Ensure cam screws (A), steel dowels (D) and dowels (C) are aligned correctly with the holes of mating parts before attaching.
- 5.2 : Secure all parts (7), (8), (9) and (10) to part (3) using 2x cam locks (B) and 2x grub screws (E) as shown. Use a pozi screwdriver to turn fittings (B) & (E) clockwise to fix.

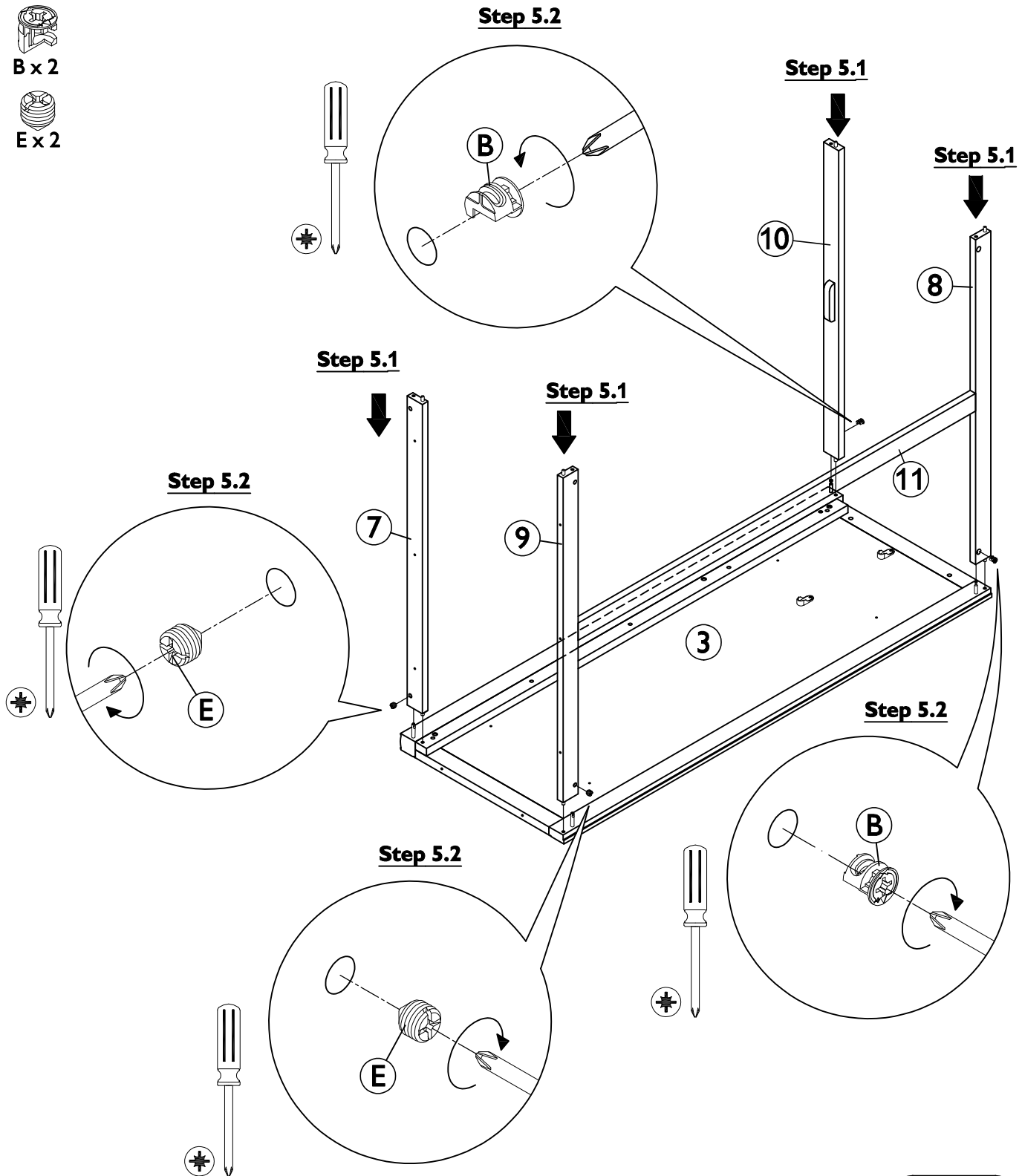
Fitting



B x 2



E x 2



Step By Step Assembly Instructions

Step 6

6.1 : Attach right side panel (2) onto the structure assembled in **Step 5** as shown. Ensure cam screws (A), steel dowels (D) and dowels (C) are aligned correctly with the holes of mating parts before attaching.

6.2 : Secure part (2) to all parts (7), (8), (9) and (10) using 2x cam locks (B) and 2x grub screws (E) as shown. Use a pozi screwdriver to turn fittings (B) & (E) clockwise to fix.

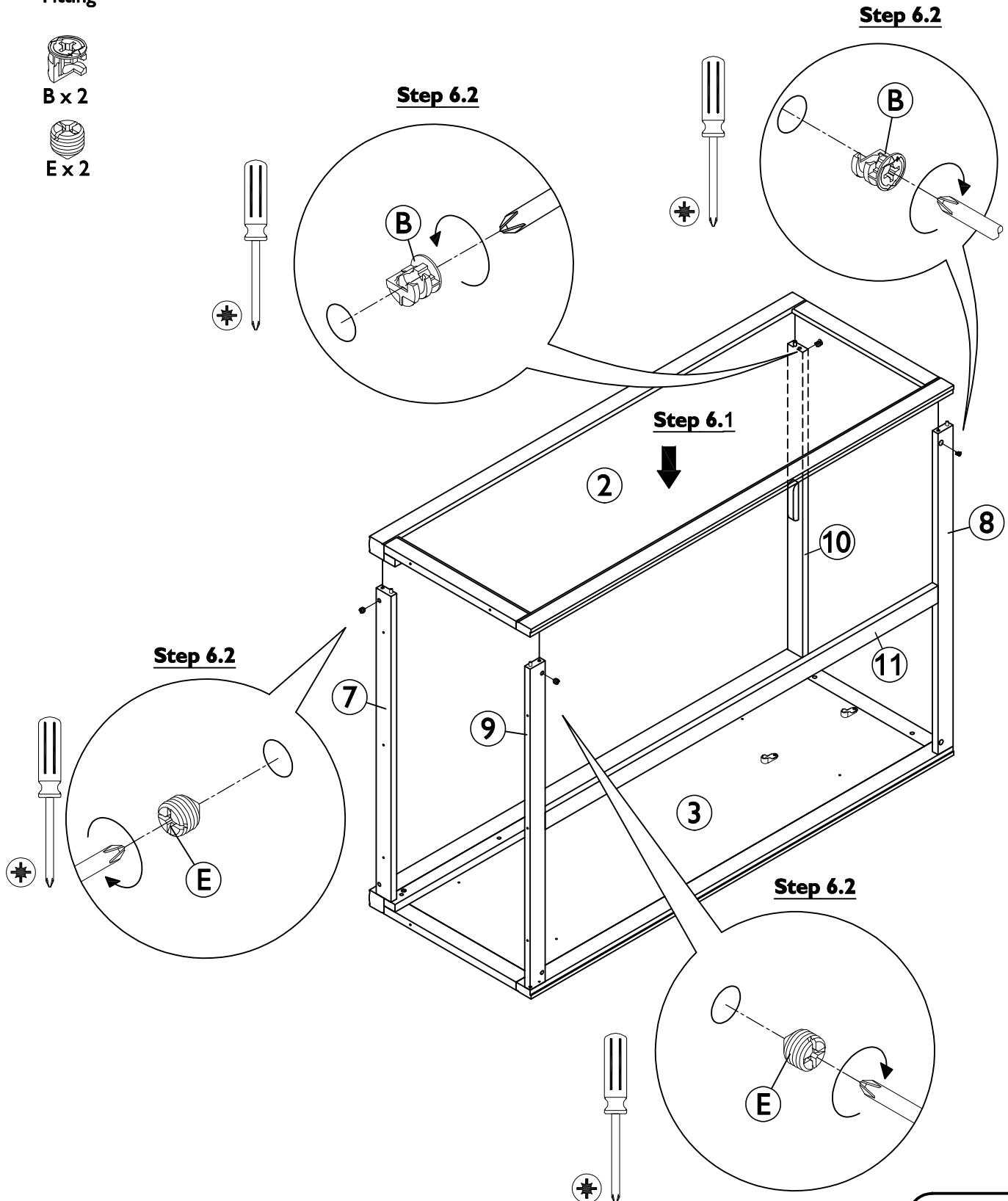
Fitting



B x 2



E x 2



Step By Step Assembly Instructions

Step 7

- 7.1: Attach top panel (1) onto the structure assembled as shown. Ensure steel dowels (D) are aligned correctly with the holes of mating parts before attaching.
- 7.2: Secure part (1) to parts (2) & (3) using 4x grub screws (E), part (8) using 4x confirmat screws (K) and part (10) using 4x round head screw (P) as shown. Use a pozi screwdriver to turn fittings (E), phillips screwdriver to turn fittings (P) and allen key (J) to turn fittings (K) clockwise to fix.

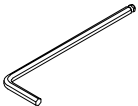
Fitting



E x 4



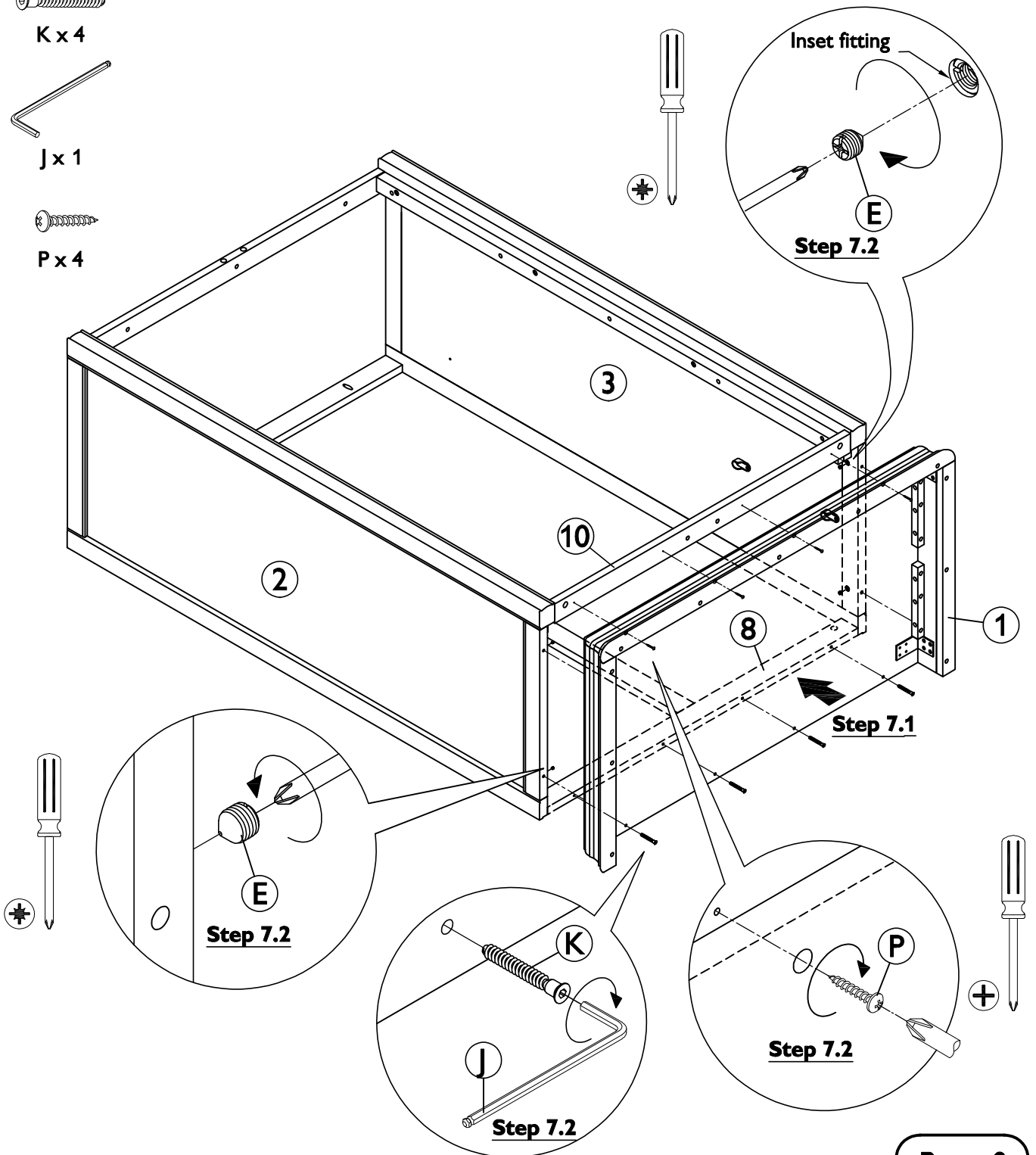
K x 4



J x 1



P x 4



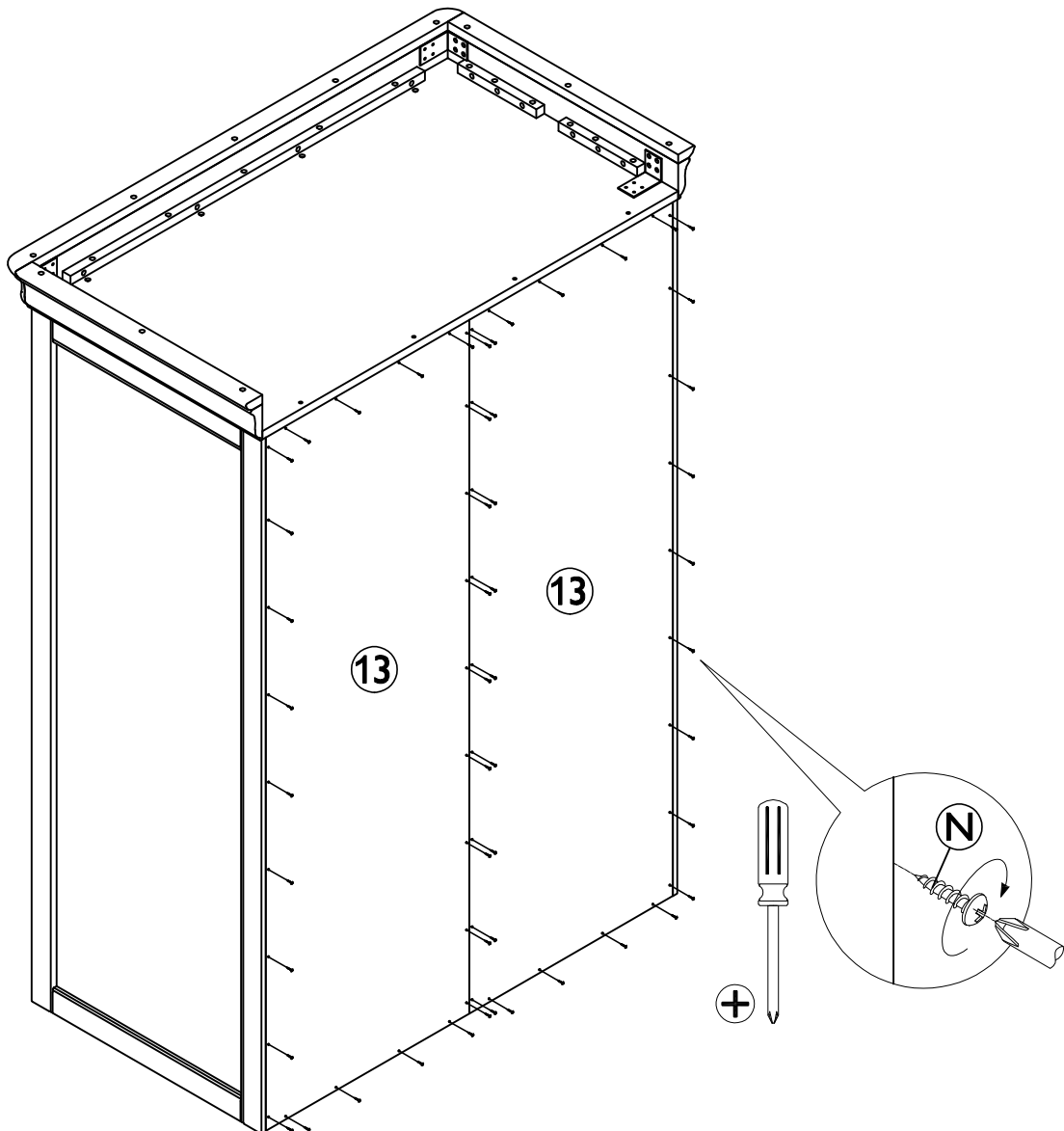
Step By Step Assembly Instructions

Step 8 : Attach 2x back panel (13) along outer edges onto back side of the unit using 52x screws (N) as shown. Use a phillips screwdriver to turn fittings (N) clockwise to fix.

Fitting

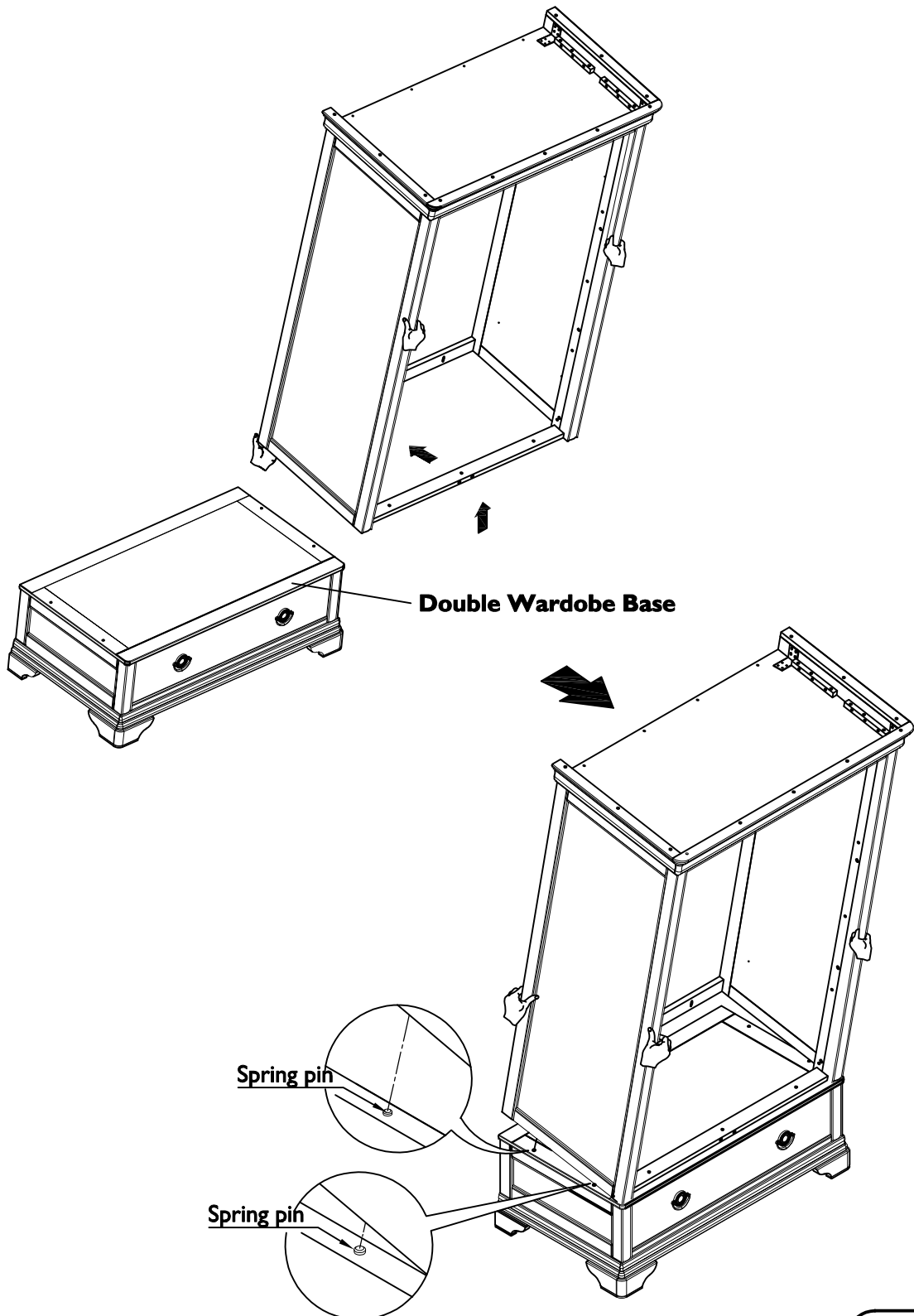


N x 52



Step By Step Assembly Instructions

- Step 9** **Note:** This product is heavy, it should be assembled as near as possible to the point of use.
- : With help of assistant, carefully lift the double wardrobe top upwards over the double wardrobe base.
 - : Carefully lower double wardrobe top onto double wardrobe base. Ensure the holes under double wardrobe top are aligned correctly with the mating spring pins on double wardrobe base to avoid damage as shown.



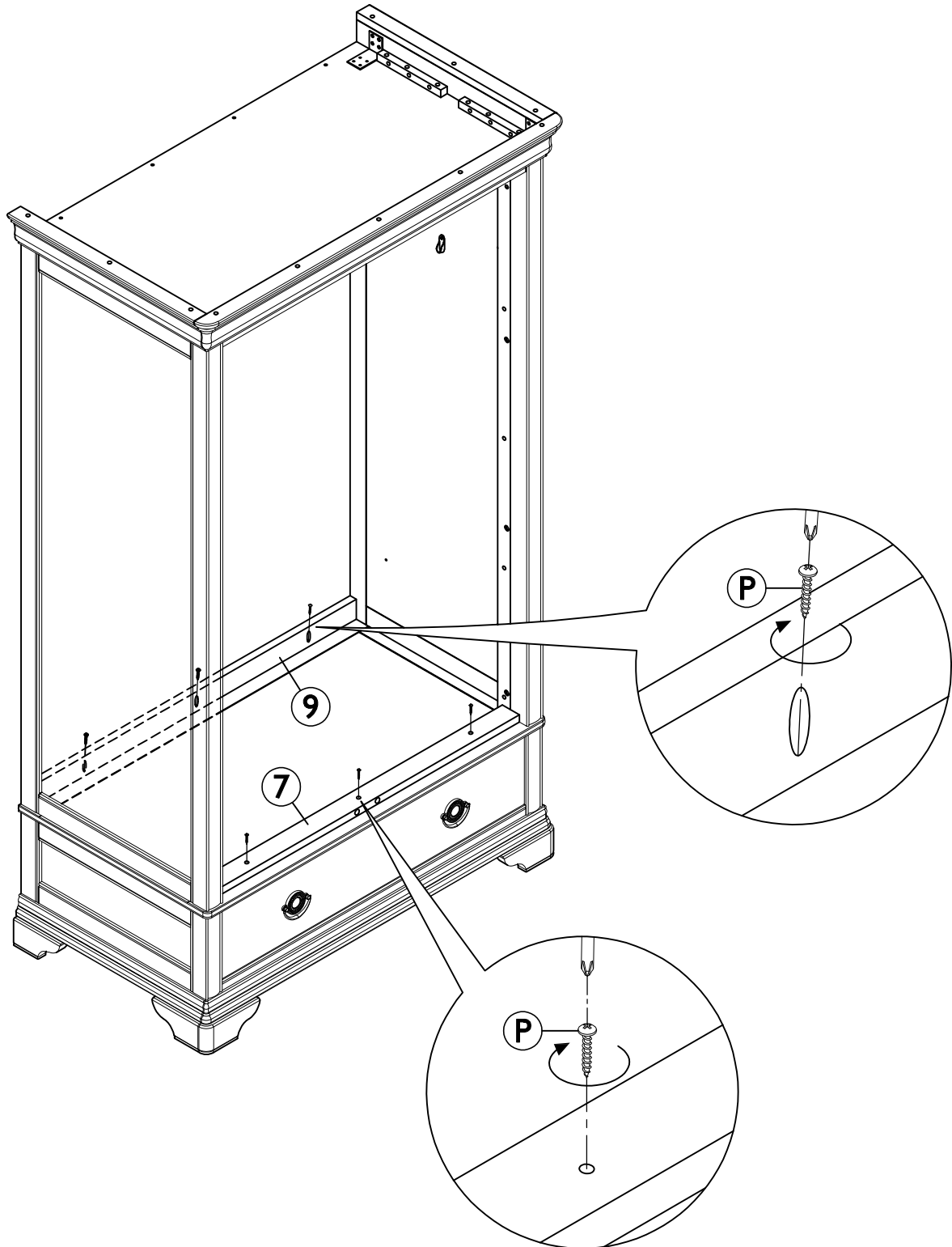
Step By Step Assembly Instructions

Step 10 : Secure double wardrobe top to double wardrobe base by screwing 6x round head screws (P) into the pre-drilled holes on bottom front and back rails (7) & (9) as shown. Use a screwdriver to turn fittings (P) clockwise to fix.

Fitting



P x 6



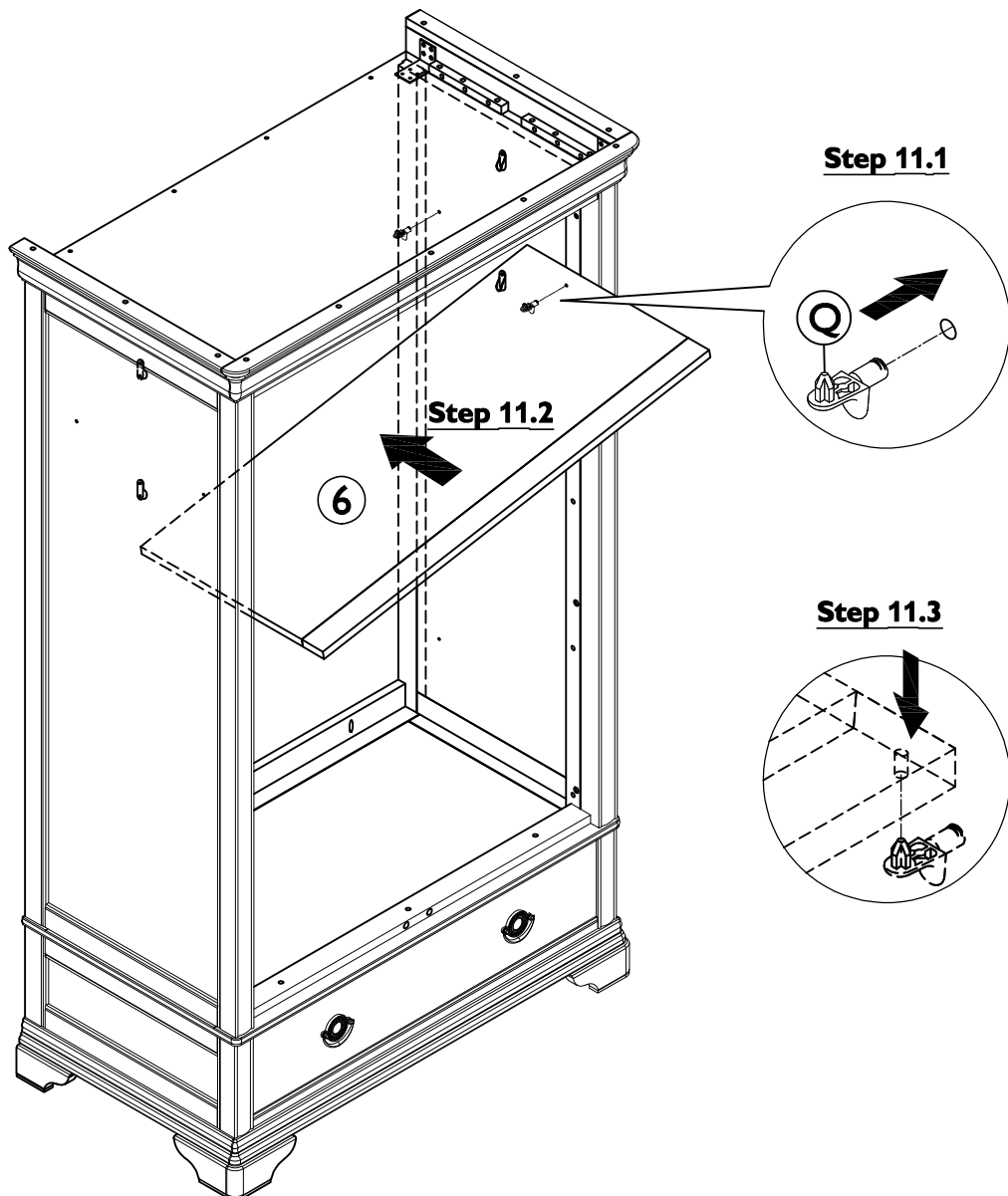
Step By Step Assembly Instructions

- Step 11** 11.1 : Insert 2x wood shelf supports (Q) into the pre-drilled holes in right side panel of the unit as shown.
- 11.2 : Tilt removable shelf (6) to a suitable angle as shown in the picture so as to slide it in.
- 11.3 : Slide removable shelf (6) into the unit. Ensure the holes on removable shelf (6) are facing down, then place them onto the pins of wood shelf supports (Q) as shown.

Fitting



Q x 2



Step By Step Assembly Instructions

Step 11 Continued

11.4 : Lift up left hand side of removable shelf (6).

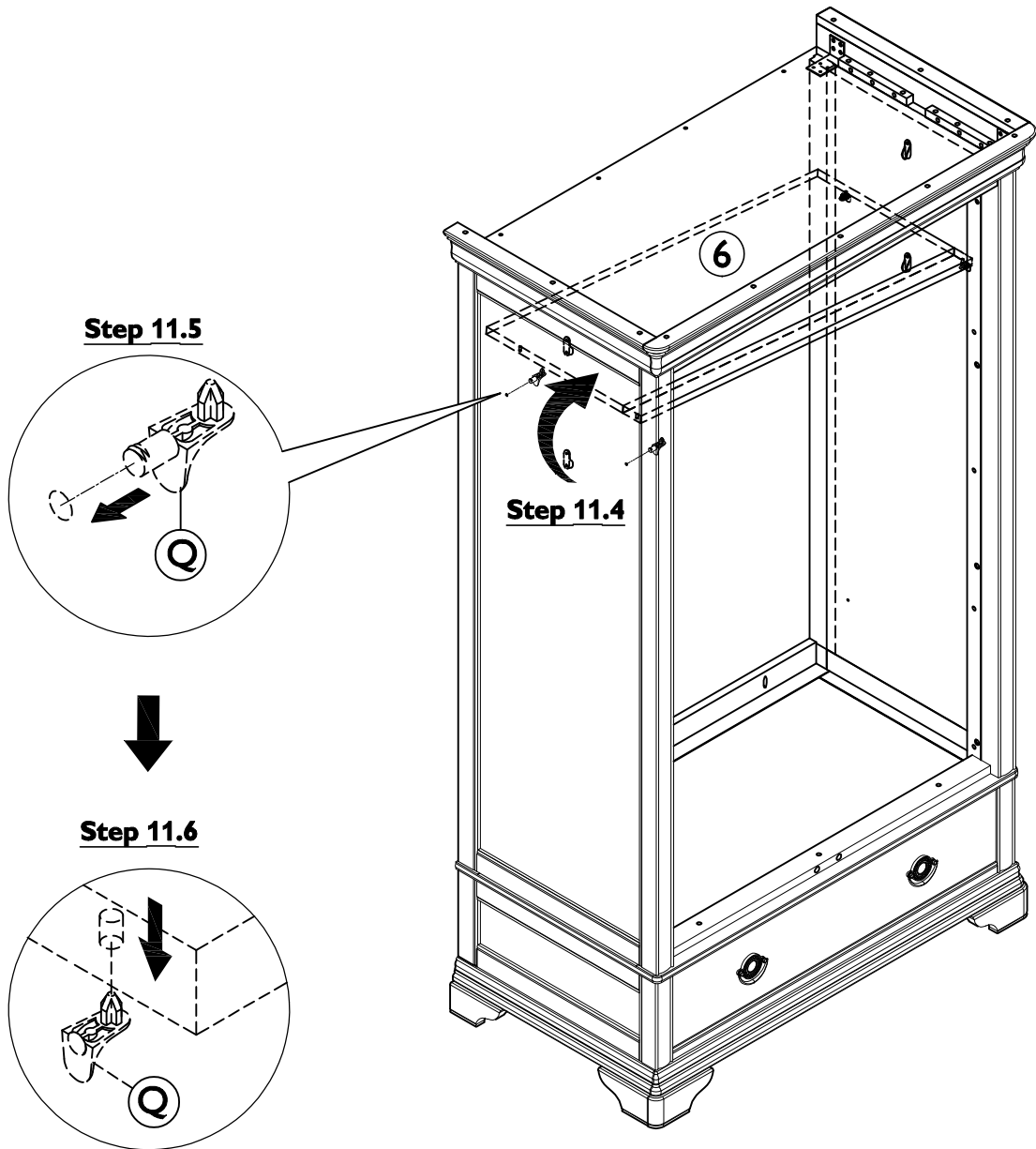
11.5 : Insert 2x wood shelf supports (Q) into the pre-drilled holes in partition of the unit as shown.

11.6 : Lower removable shelf (6) onto the pins of wood shelf supports (Q) as shown.

Fitting



Q x 2



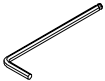
Step By Step Assembly Instructions

Step 12 Attach doors (4) & (5) to side panels (2) & (3) using 8x hex head bolts (H) as shown. Ensure the holes on doors (4) & (5) are aligned correctly with the mating spring pins on side panels (2) & (3) to avoid damage. Use allen key (J) to turn fittings (H) clockwise to fix..

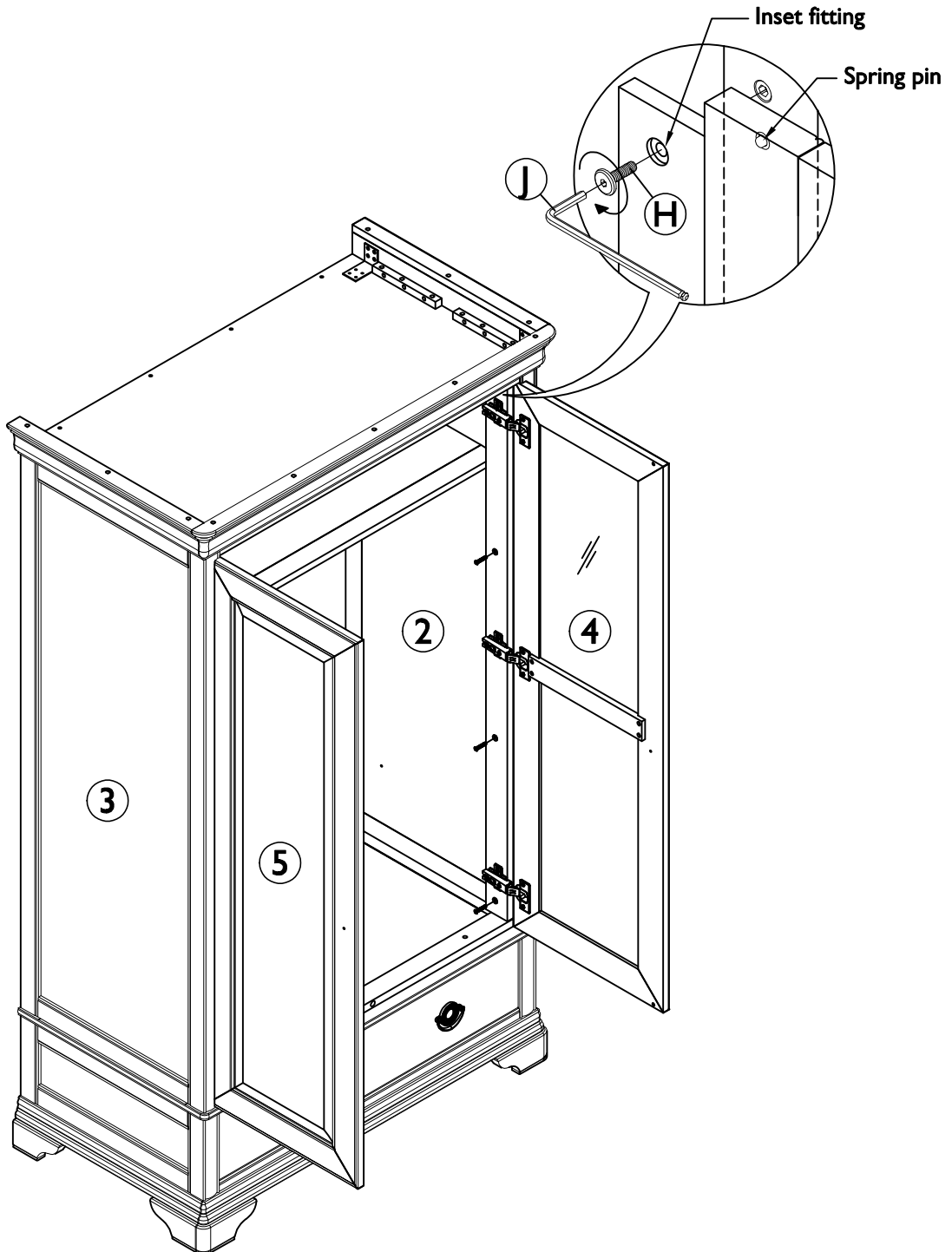
Fitting



H x 8



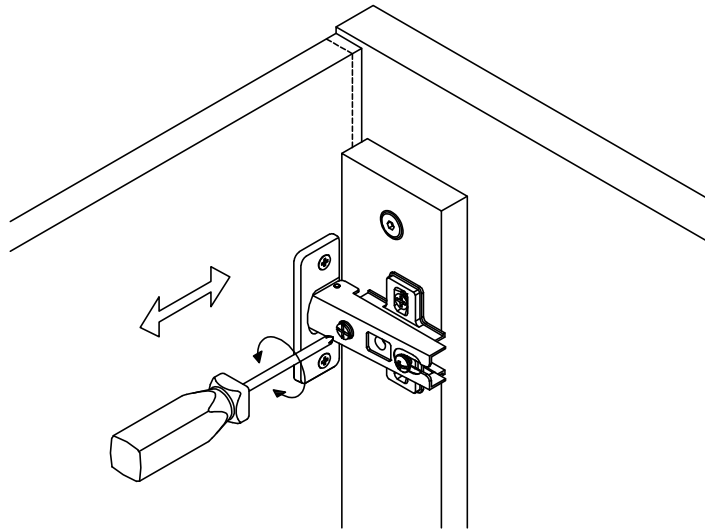
J x 1



HINGE ADJUSTMENT INSTRUCTIONS

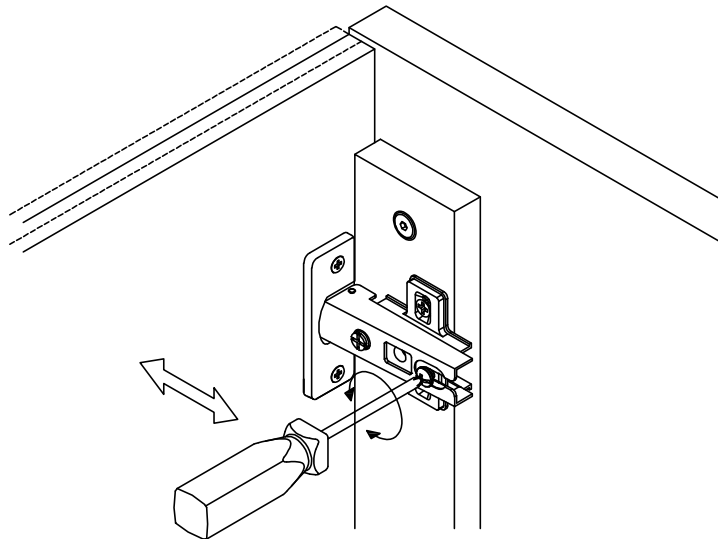
LATERAL ADJUSTMENT

by screw adjustment.



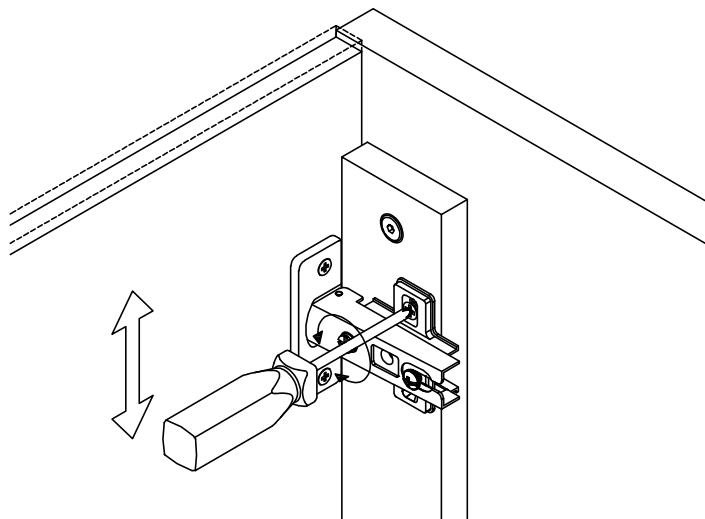
FRONT-TO-BACK

by slackening and retightening the hinge-arm mounting screw.



VERTICAL ADJUSTMENT

via slots on mounting plate by slackening and retightening the screws on mounting plate



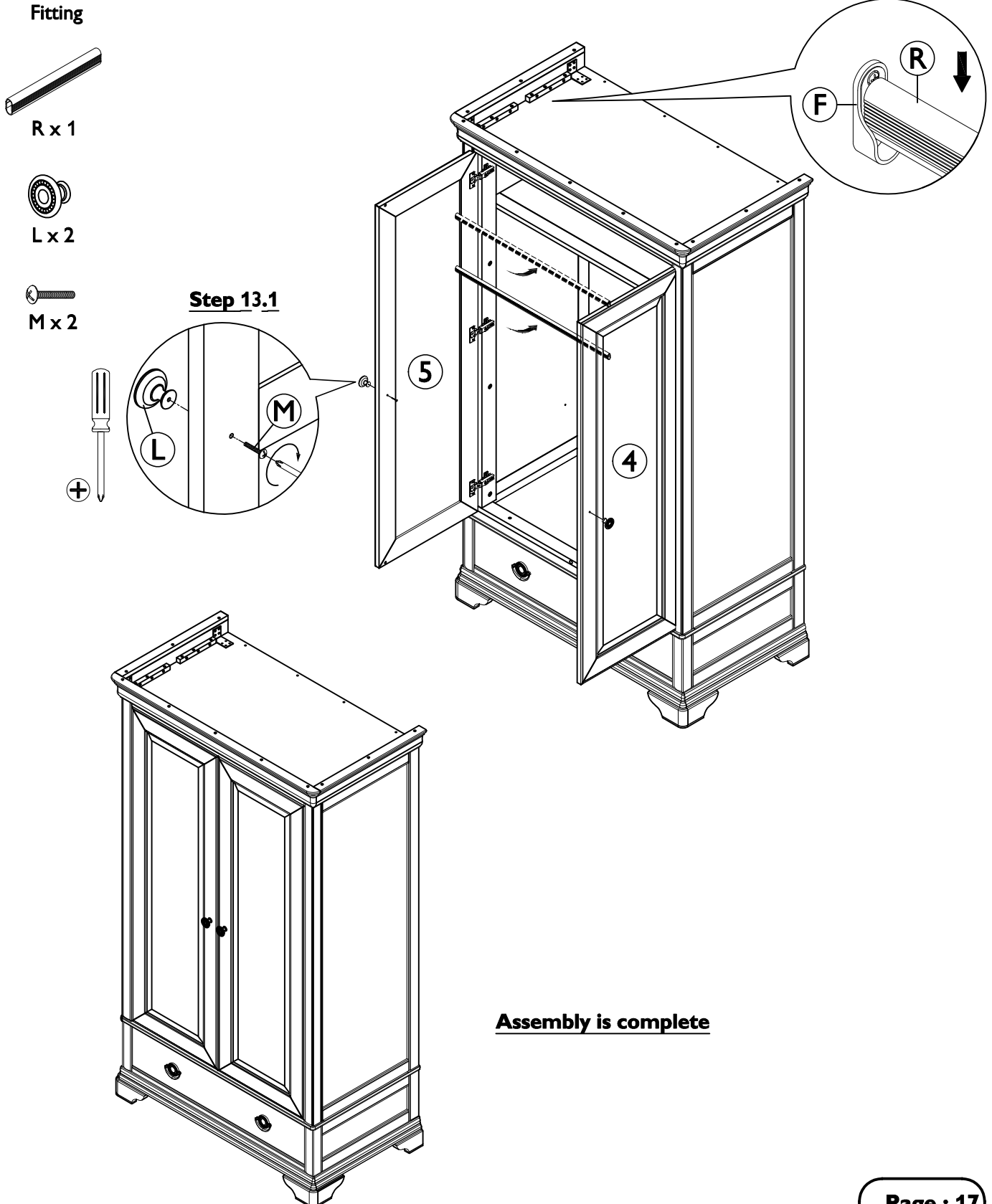
Step By Step Assembly Instructions

Step 13

13.1 : Attach 2x knobs (L) to the front of doors (4) & (5) using 2x round head bolts (M) as shown. Use a phillips screwdriver to turn fittings (M) clockwise to fix.

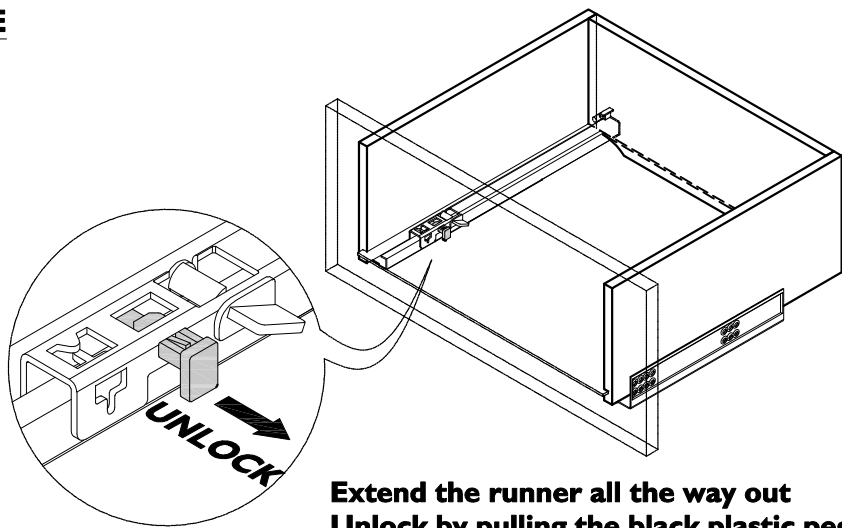
13.2 : Place hanger rail (R) onto hanger rail support (F) on side panels of unit as shown.

Step 13.2

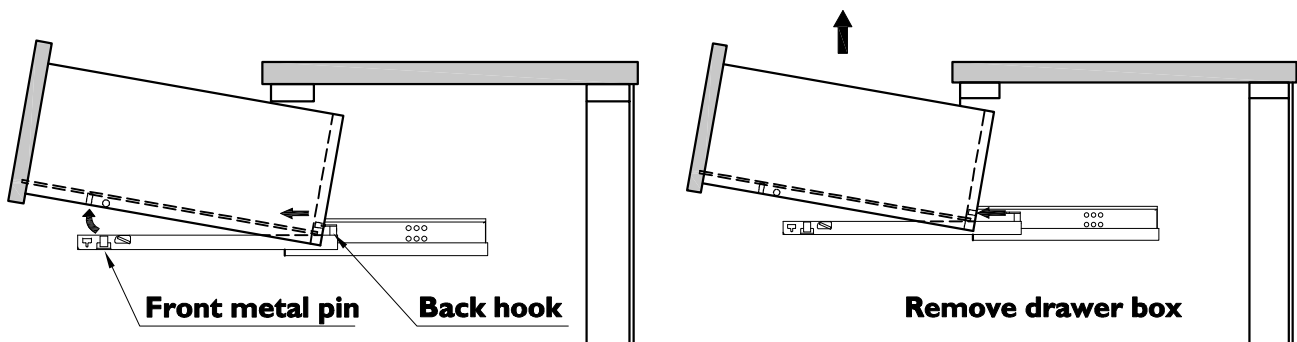


TANDEM RUNNER ADJUSTMENT INSTRUCTION

REMOVE

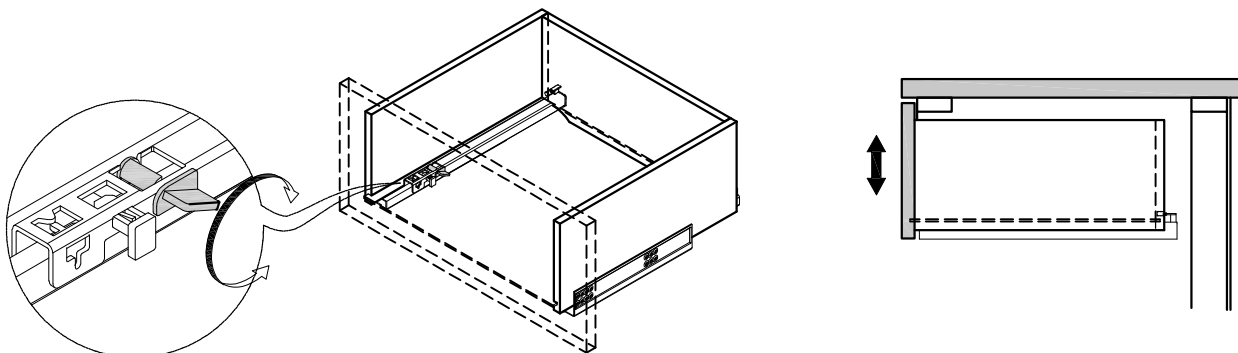


**Extend the runner all the way out
Unlock by pulling the black plastic peg on the runner out**



**Hold both runners with both of your hands.
Carefully lift the drawer front up from the front metal pin, then slide forward to remove
from back hooks**

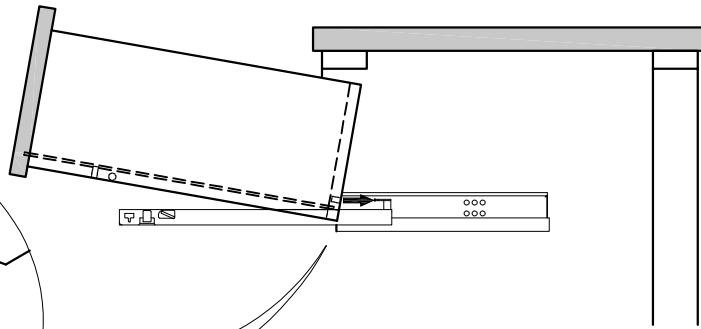
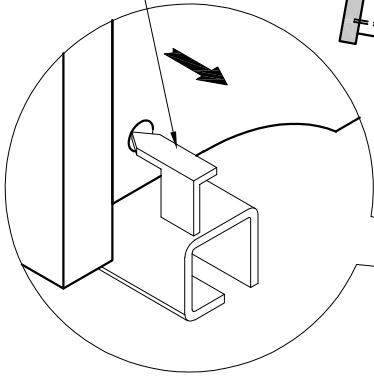
VERTICAL ADJUSTMENT ($\pm 2.5\text{mm}$)



TANDEM RUNNER ADJUSTMENT INSTRUCTION

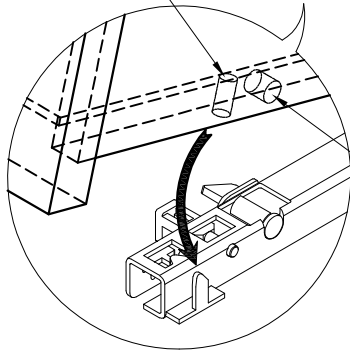
ASSEMBLE

Back hook

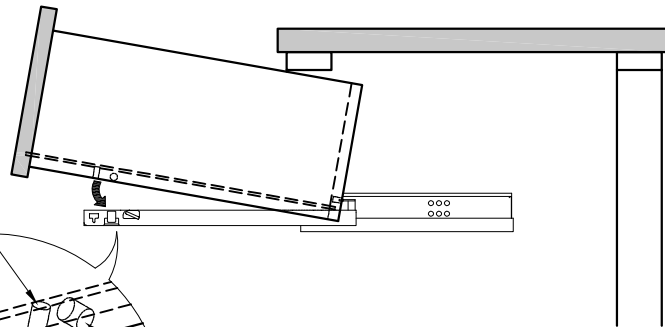


Extend the runner all the way out. Put the drawer onto them then hold both the runners with your hands, lift the drawer up with your thumbs and push to hook the drawer at the end of the runner

Hole/ Front metal pin

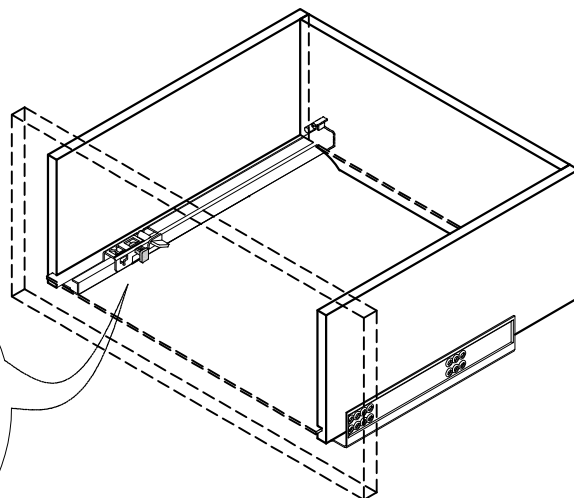
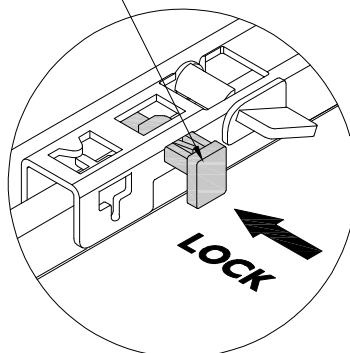


Hole/ Plastic peg



Once the back hook is connected gently lower the drawer onto the front metal pin

Black plastic peg



Lock it by pushing the black plastic peg on the runner in.

Care and Maintenance

Wood Furniture

Wood displays different grain patterns depending on which way they are cut - for example, the 'medullary ray' which can appear on oak furniture is a mark of good quality timber - these are just characteristics of the natural beauty of the wood.

Some furniture is also deliberately aged and rustic.

Wood veneers also allow distinctive patterns to be created on some surfaces, such as table tops and drawer fronts by the way slivers are arranged.

All timber and veneer surfaces will change colour and mellow over time. New furniture will initially vary in shade from items that have been previously purchased.

How to care for your wood furniture

Dust with a clean, damp, lint free cloth. Frequent dusting will remove abrasive build up, which can damage the finish over time.

Do not use a very wet cloth or allow any liquid to contact with the veneers for a long period of time as this can permanently damage the surface. Wipe up spills immediately.

Do not use any abrasive cleaner or harsh detergent as this can damage the surface of the furniture.

Spray polishes are best avoided as they contain silicones which may spoil the furniture's surface when building up over time.

Make sure all surfaces are protected from heat and liquids by mats and coasters.

Ensure that a mat or pad is placed under paper when you are writing on the furniture surface.

Do not place rubber, cork, vinyl or plastic materials on the wood finish as chemicals within may react with the finish if left in contact for an extended period of time.

Our furniture will endure most temperatures in the home but it is best to avoid placing furniture next to heat sources such as radiators or fires. Be particularly careful with solid wood as the lack of humidity caused by home heating can cause damage such as warping, cracking or splitting.

Excessive exposure to sunlight can cause fading of your furniture.

Avoid exposing your furniture to any liquids. All liquids should be wiped up immediately with a soft, slightly damp cloth in the direction of the wood grain. If sticky liquid residues do occur, they may be removed with a dilute solution of warm soapy water followed by a clean, damp sponge. The area should then be wiped immediately in the direction of the wood grain with a clean, soft white cloth until completely dry.

Nail polish remover, hairspray, perfume, potpourri & any other products that contains solvents can damage wood & upholstery finishes.

Safety Instructions:

Never drag furniture when moving it. Always lift it.

Periodically check all fixings to ensure none have come loose. Re-tighten when necessary.

Please take care when handling or moving the furniture as careless handling may cause damage or injury.

Furniture can be dangerous if incorrectly assembled. Assembly should be carried out by a competent person.

No liability will be accepted for damage or injury caused by incorrectly installed or assembled furniture.

Heavy item warning:

It is recommended to seek assistance when moving a heavy object. Take care when lifting to avoid personal injury and (or) damage to the product.

It is recommended that before moving the heavy object to a new location it is completely dis-assembled to avoid personal injury or damage to the furniture. Please be careful to retain all fitting when doing this.

Mirror warning:

Use glass cleaner or soapy water for cleaning. Do not use anything abrasive as this may damage the surface of the product.