

Composite & Eucalyptus Wash Accent Table

Assembly Instructions & Care:

Please assemble on soft surface after removing contents as not to scratch or damage stone surface.
Enjoy!

TABLE ASSEMBLY INSTRUCTIONS

Item	Description	Q'ty
A	Bolt 8x45	08
B	Washer	04
C	Allen Key	01

Table Top

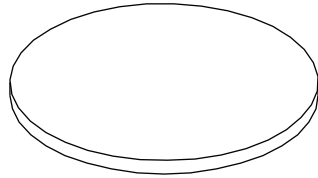


Table Base #1

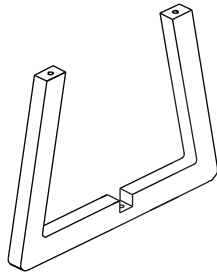


Table Base #2

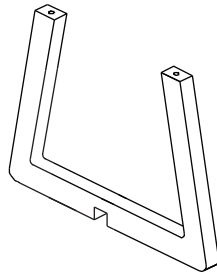
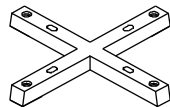
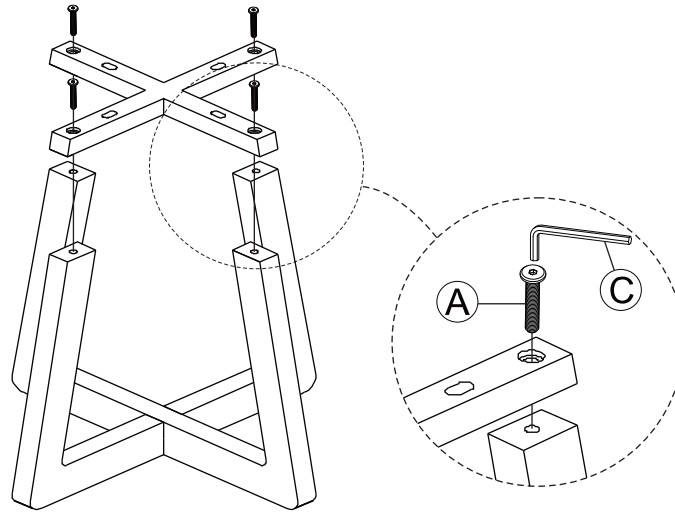


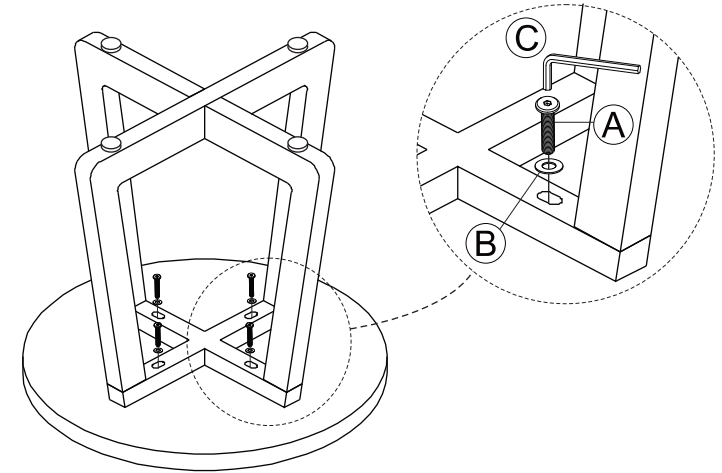
Table Top Frame



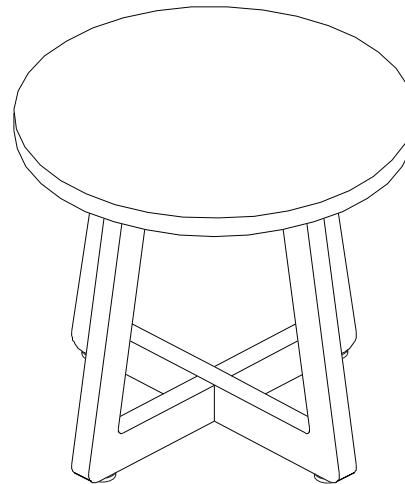
- STEP 1**
- Assemble two table base legs with top frame.
 - Attach (4) "A" Bolts.



- STEP 2**
- Place table top on a soft surface as shown.
 - Fasten (4) "A" Bolts and (4) "B" washers to table top underside and frame.



- STEP 3**
- With 1 person carefully stand table upright.



STOP! PLEASE READ FIRST:

Thank you for purchasing this item

Please verify all the hardware and components are included as you unpack the carton. Place the items in a safe area to avoid loss and damaging contents. Use a soft area or use the empty box to assemble the set.

ASSEMBLY TIPS: Assemble upside down with the table top and sofas facing down. Never over-tighten bolts. It's best to assemble with 2 people.

Please review the " PLEASE OIL ME" card for how to care & maintain your new furniture.