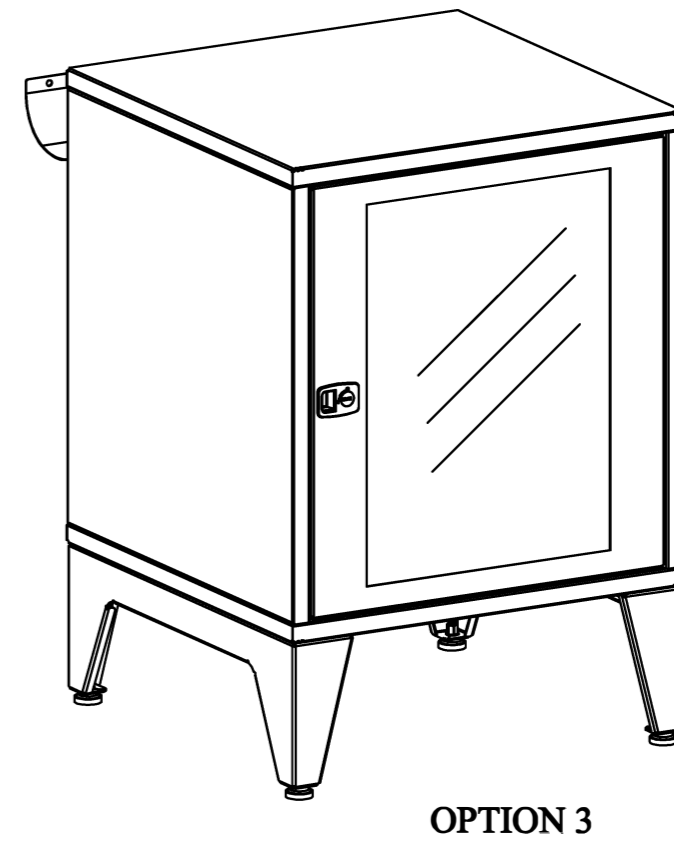
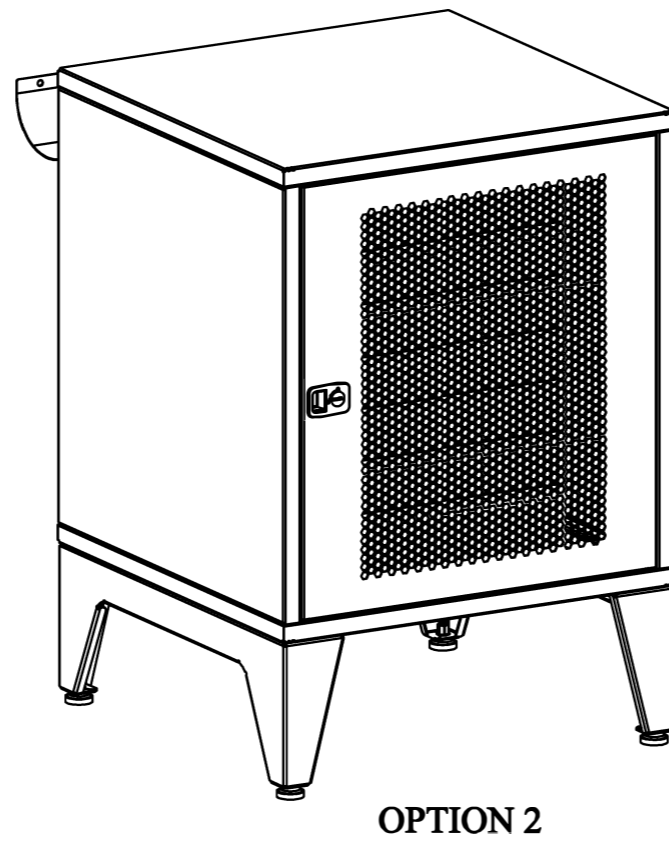
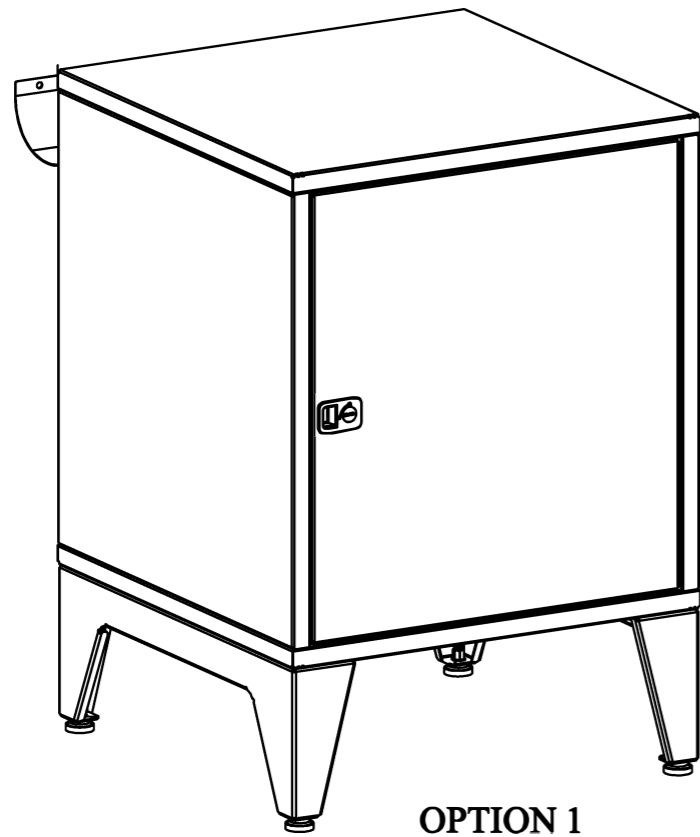
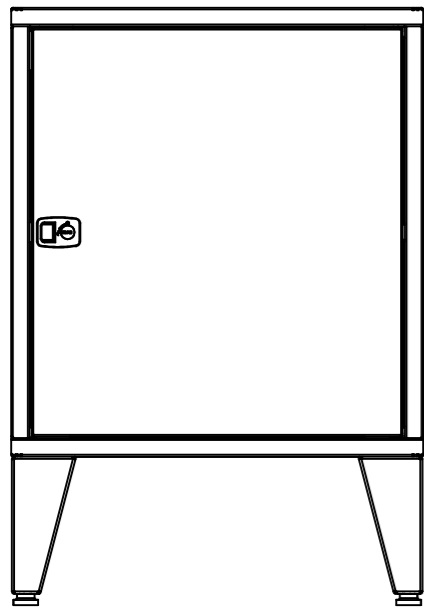
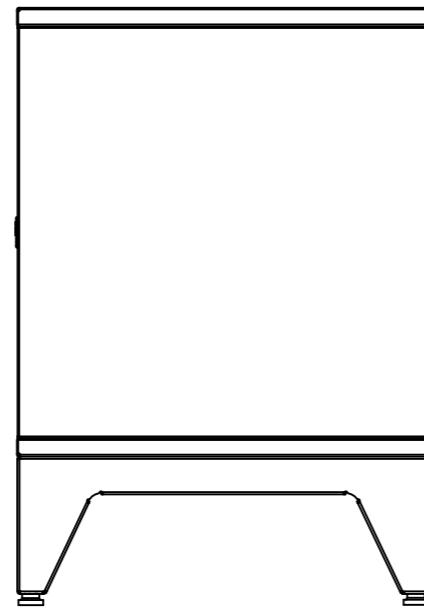


# Ziglat Series

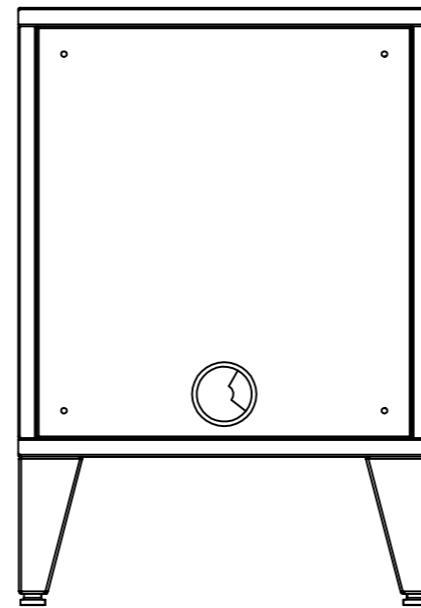




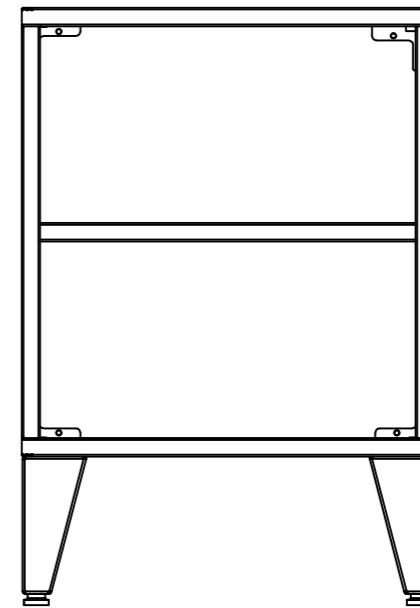
FRONT VIEW



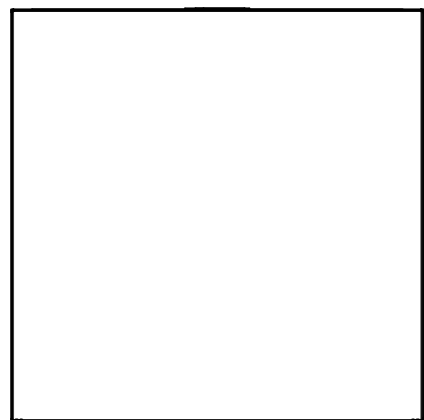
SIDE VIEW



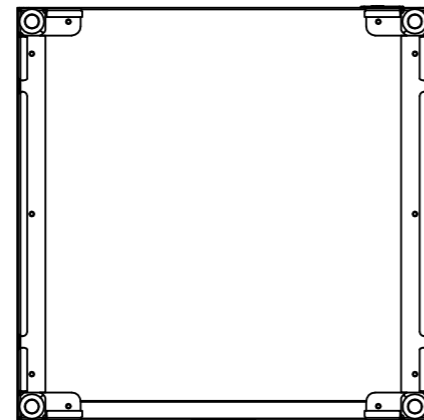
REAR VIEW



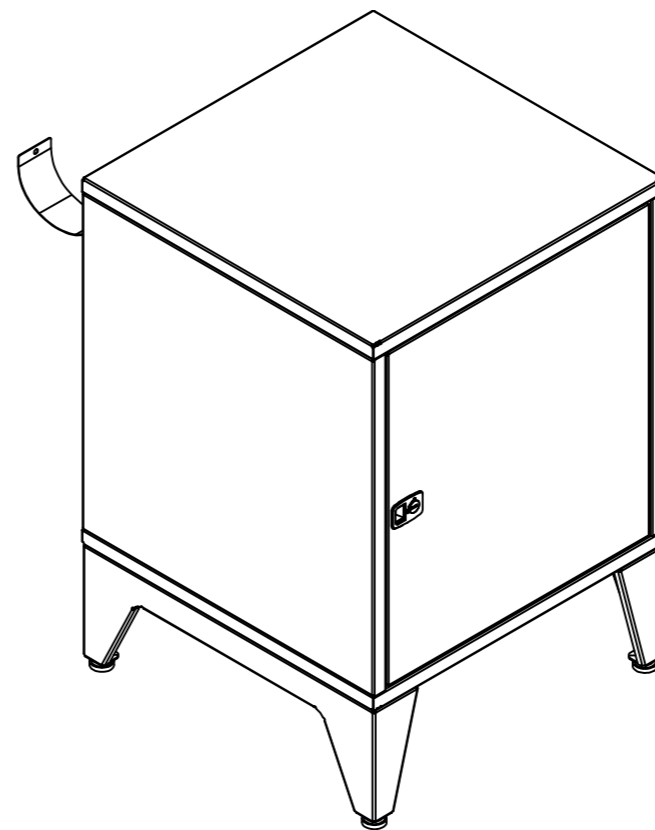
FRONT INSIDE VIEW



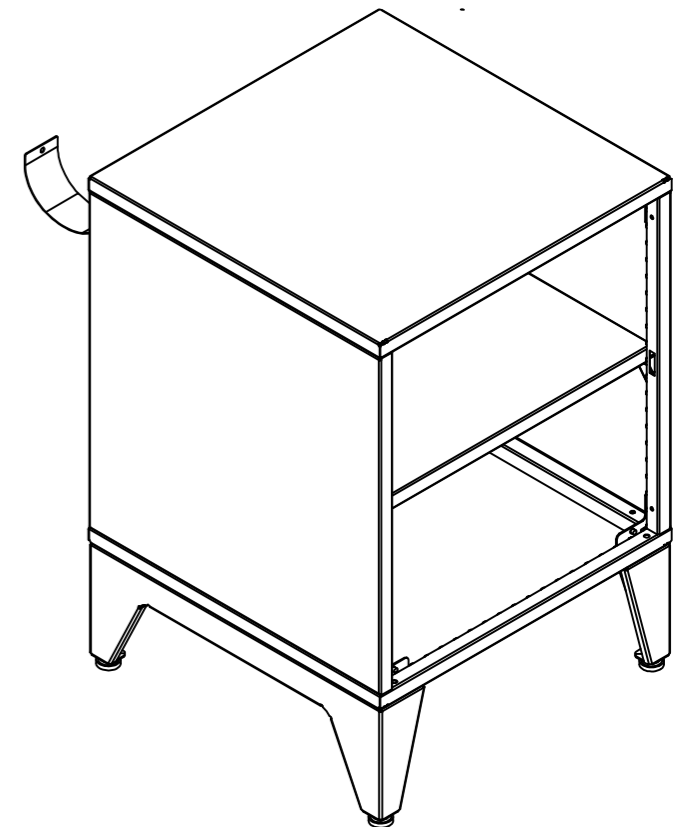
TOP VIEW



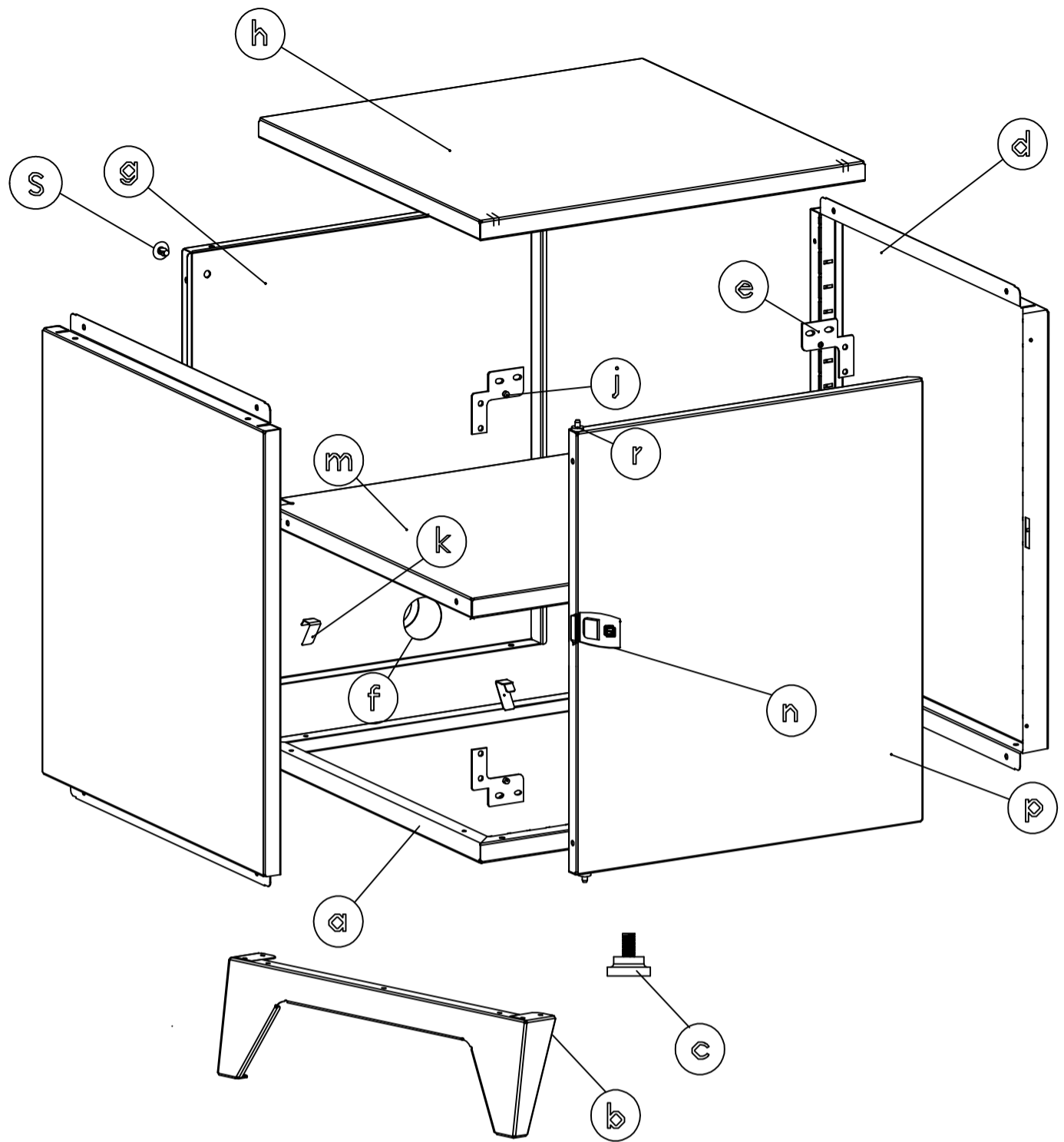
BOTTOM VIEW

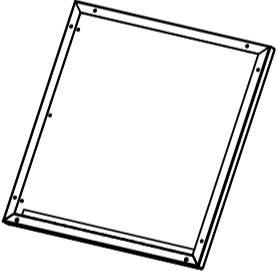
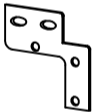
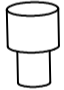
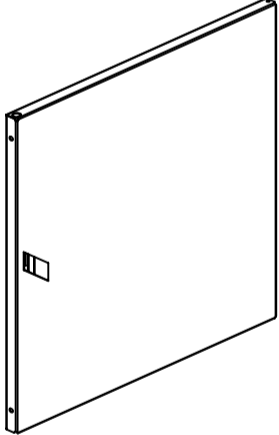


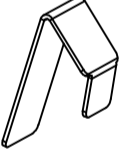
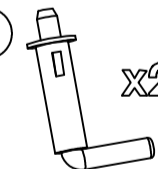

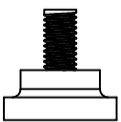
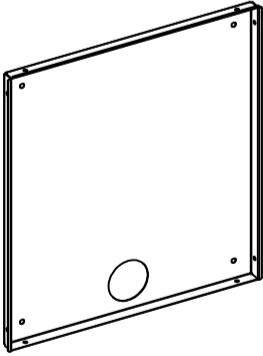
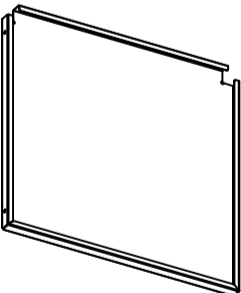



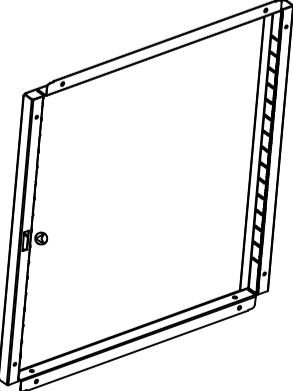
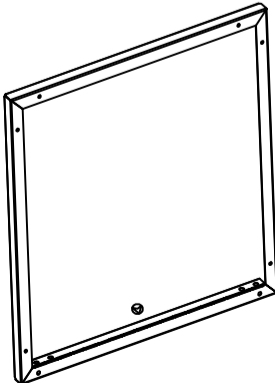




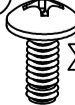





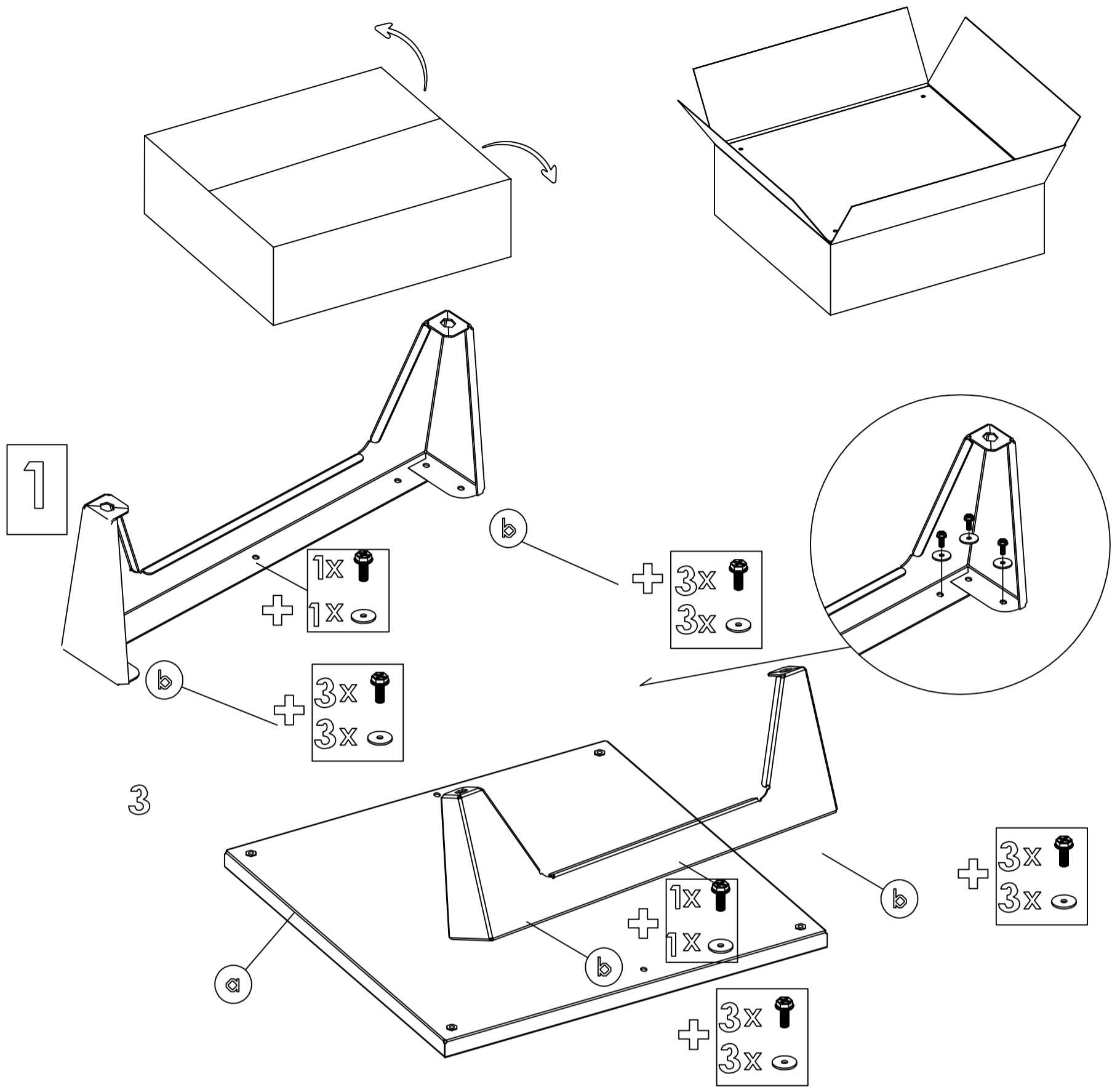
ISOMETRIC VIEW



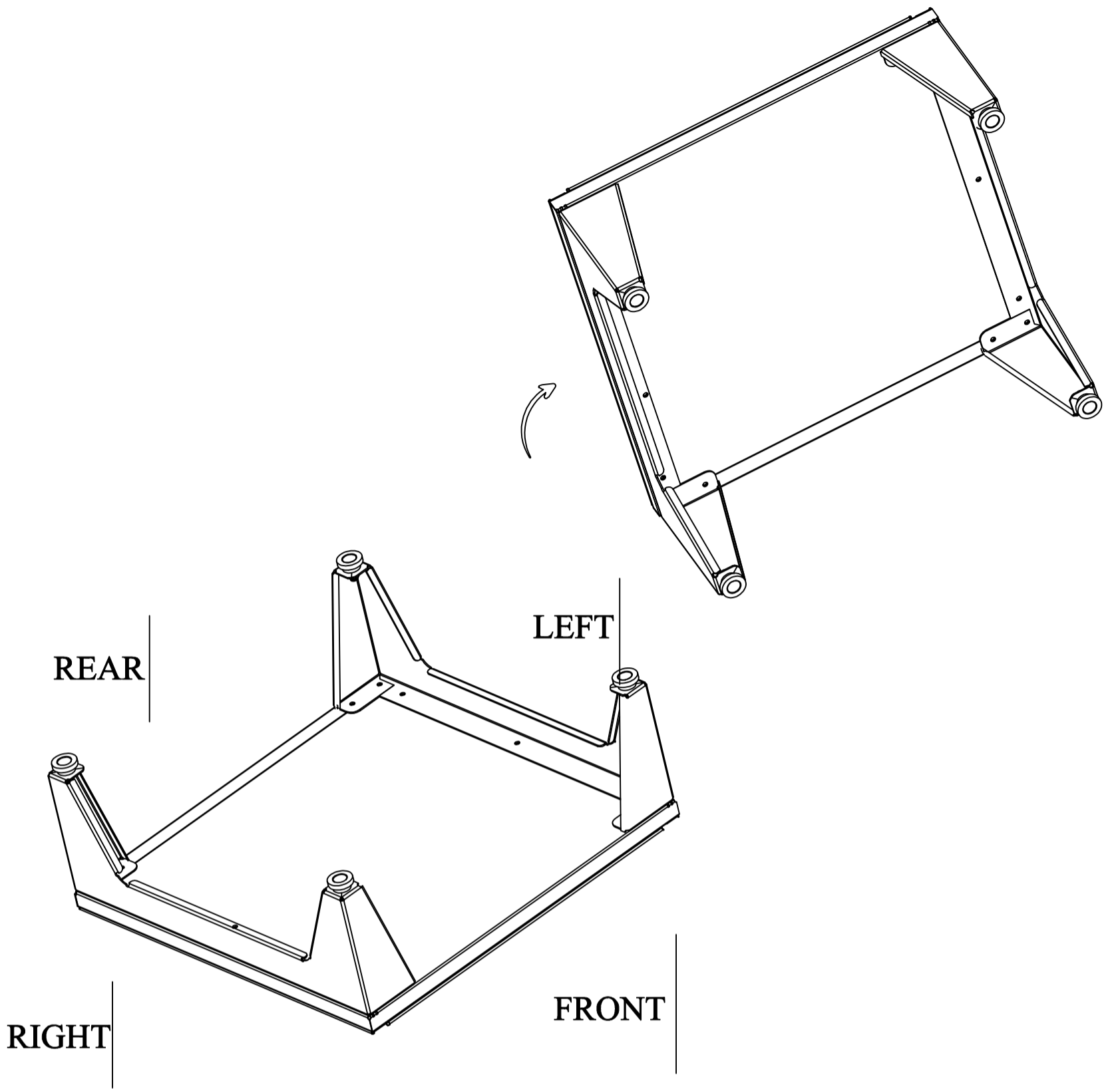
ISOMETRIC INSIDE VIEW



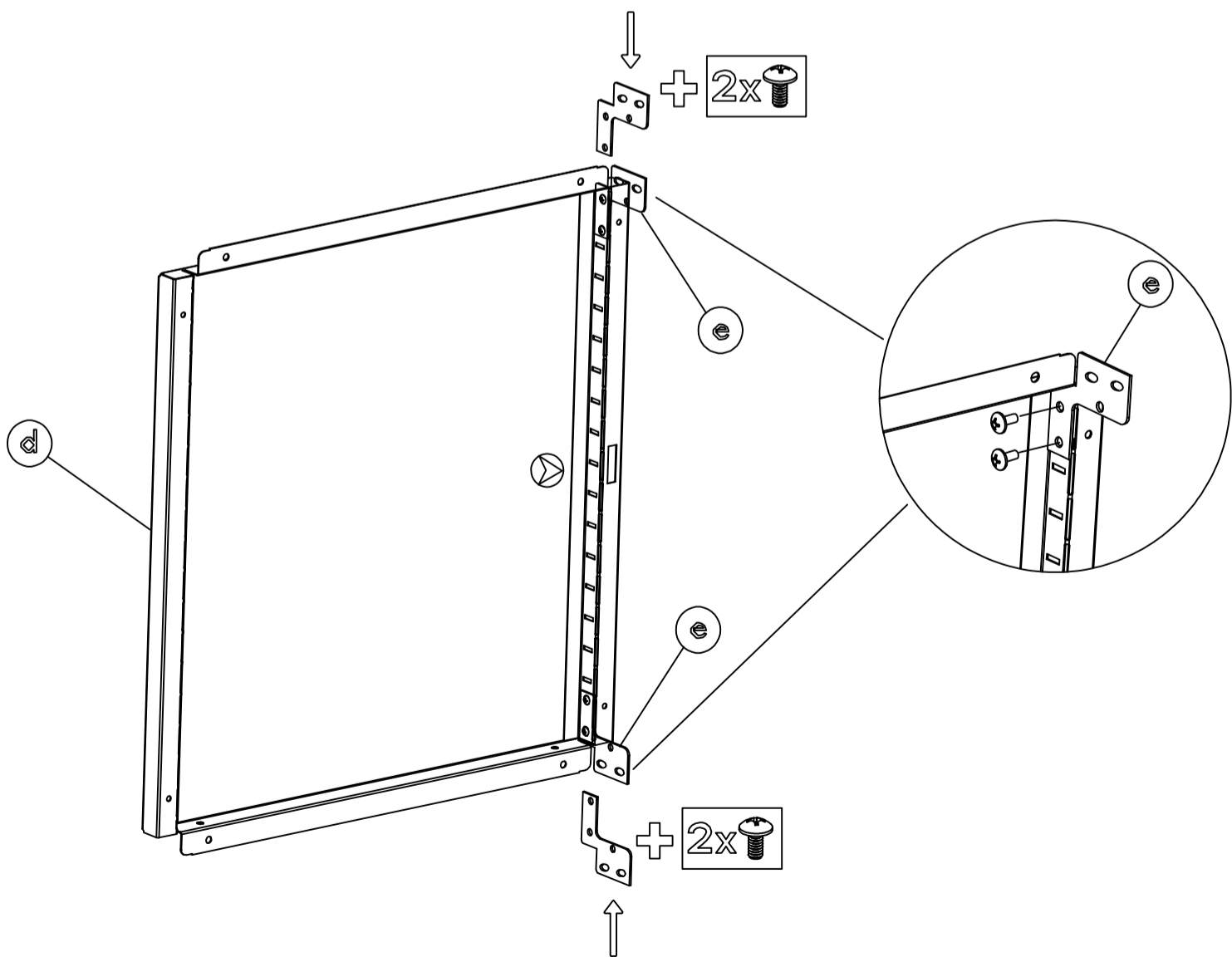
 <p>a x1</p>	 <p>e x4</p>	 <p>j x2</p>	 <p>p x1</p>		
 <p>b x2</p>	 <p>f x1</p>	 <p>k x4</p>	 <p>r x2</p>  <p>s x4</p>		
 <p>c x4</p>	 <p>g x1</p>	 <p>m x1</p>	 <p>t x1</p>	 <p>u x2</p>	 <p>v x1</p>
 <p>d x2</p>	 <p>h x1</p>	 <p>n x1</p>	 <p>y x1</p>	 <p>z x1</p>	 <p>q x1</p>
			 <p>w x1</p>	 <p>z x28</p>	 <p>q x14</p>  <p>q x14</p>



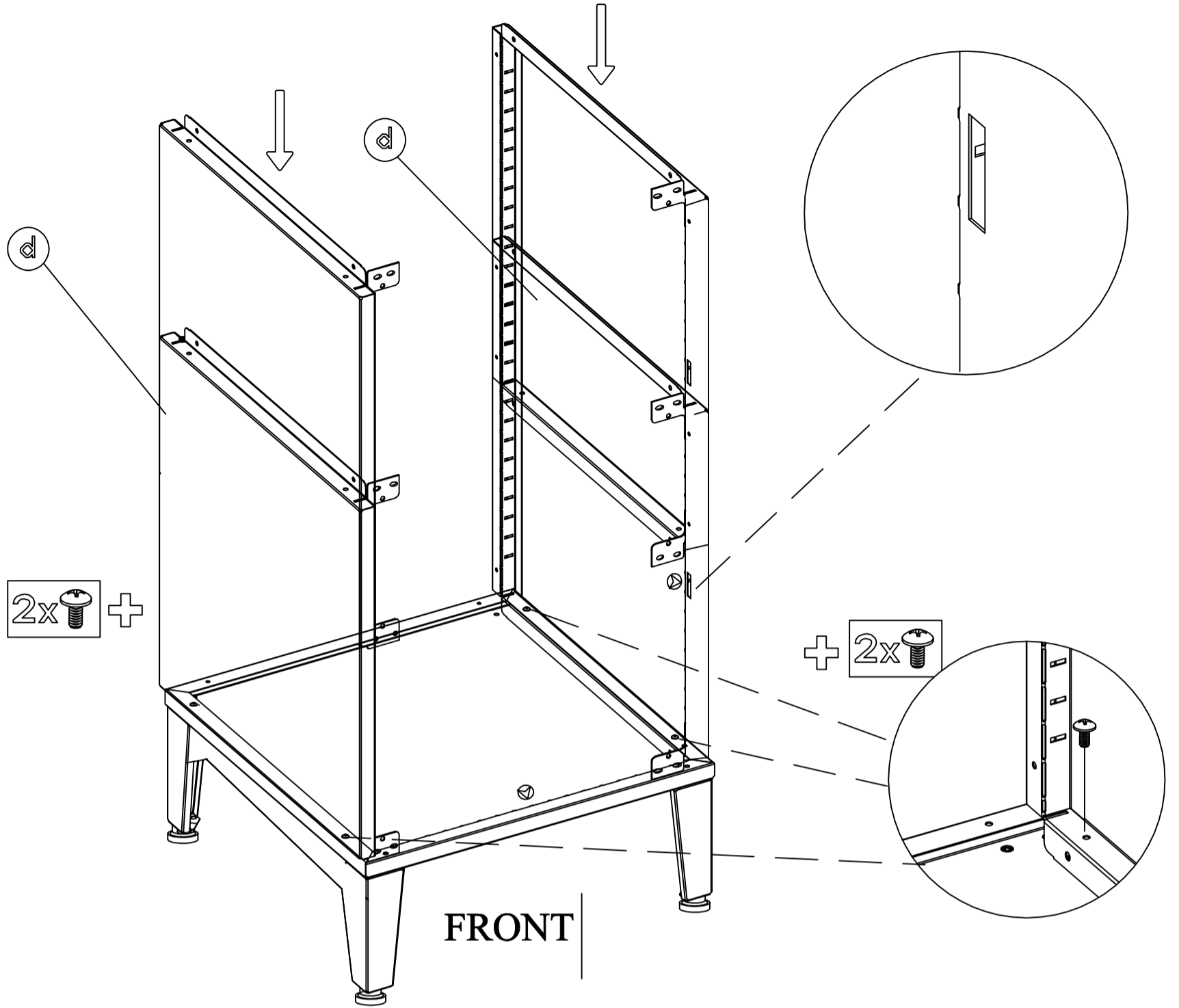
3



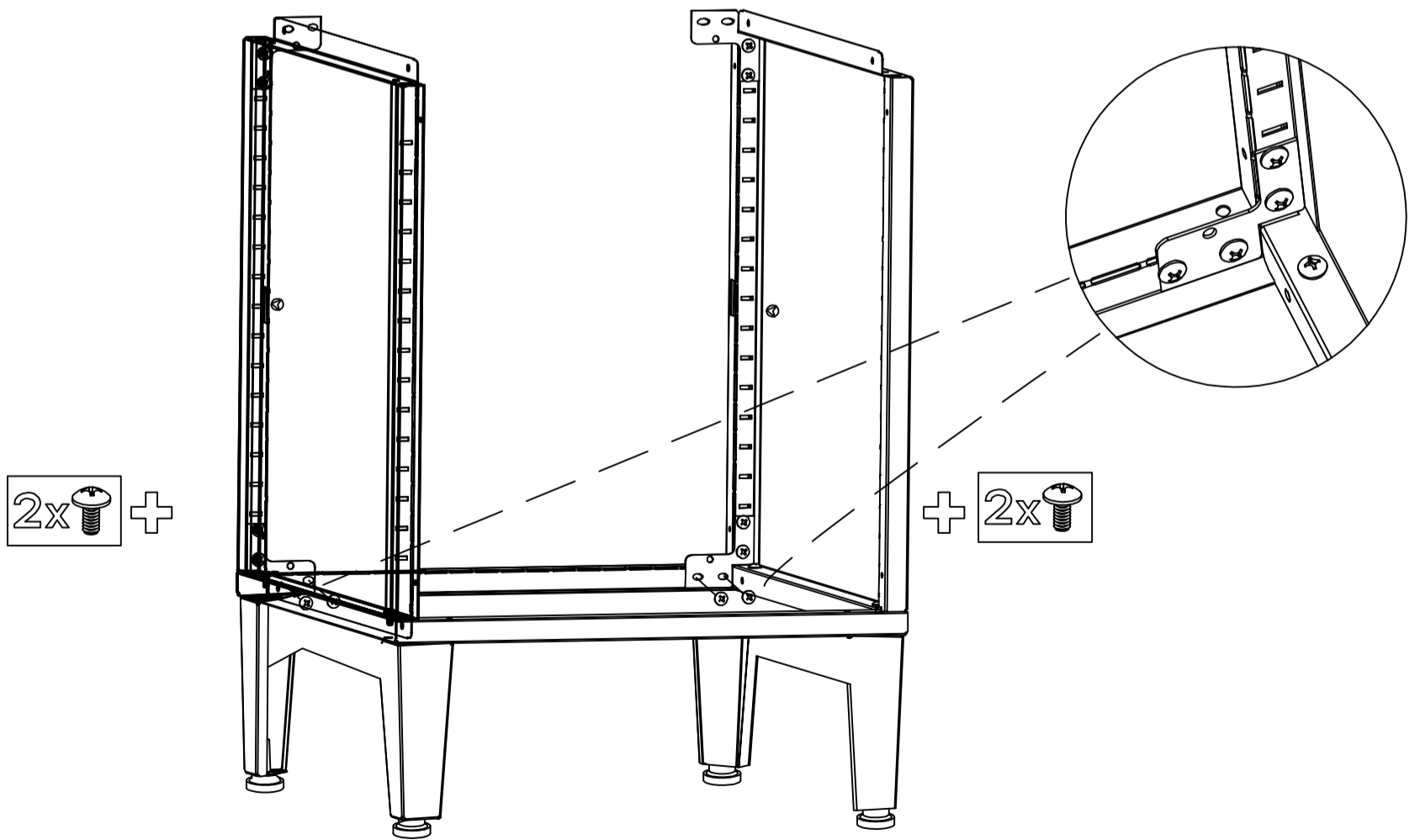
4



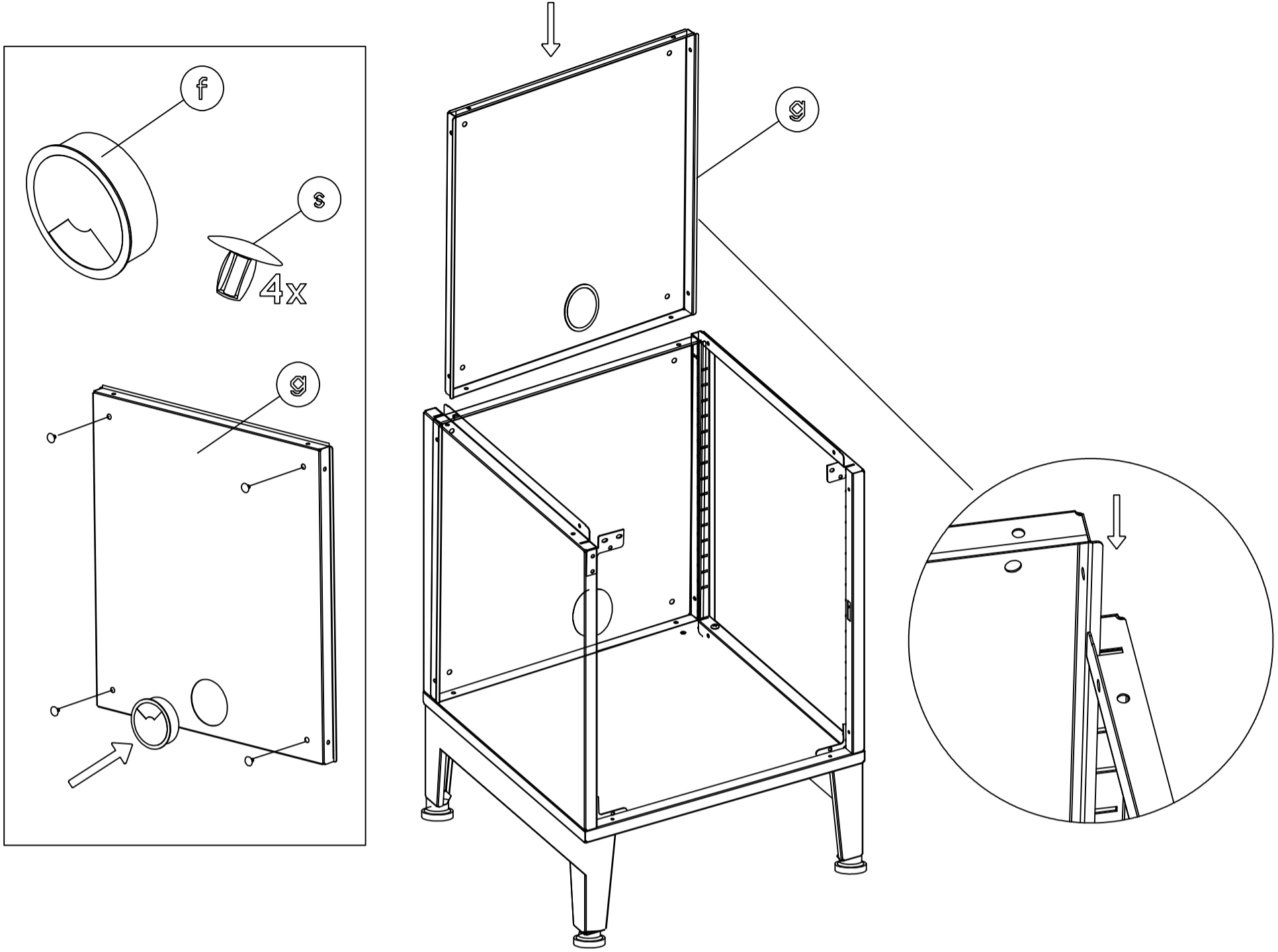
5



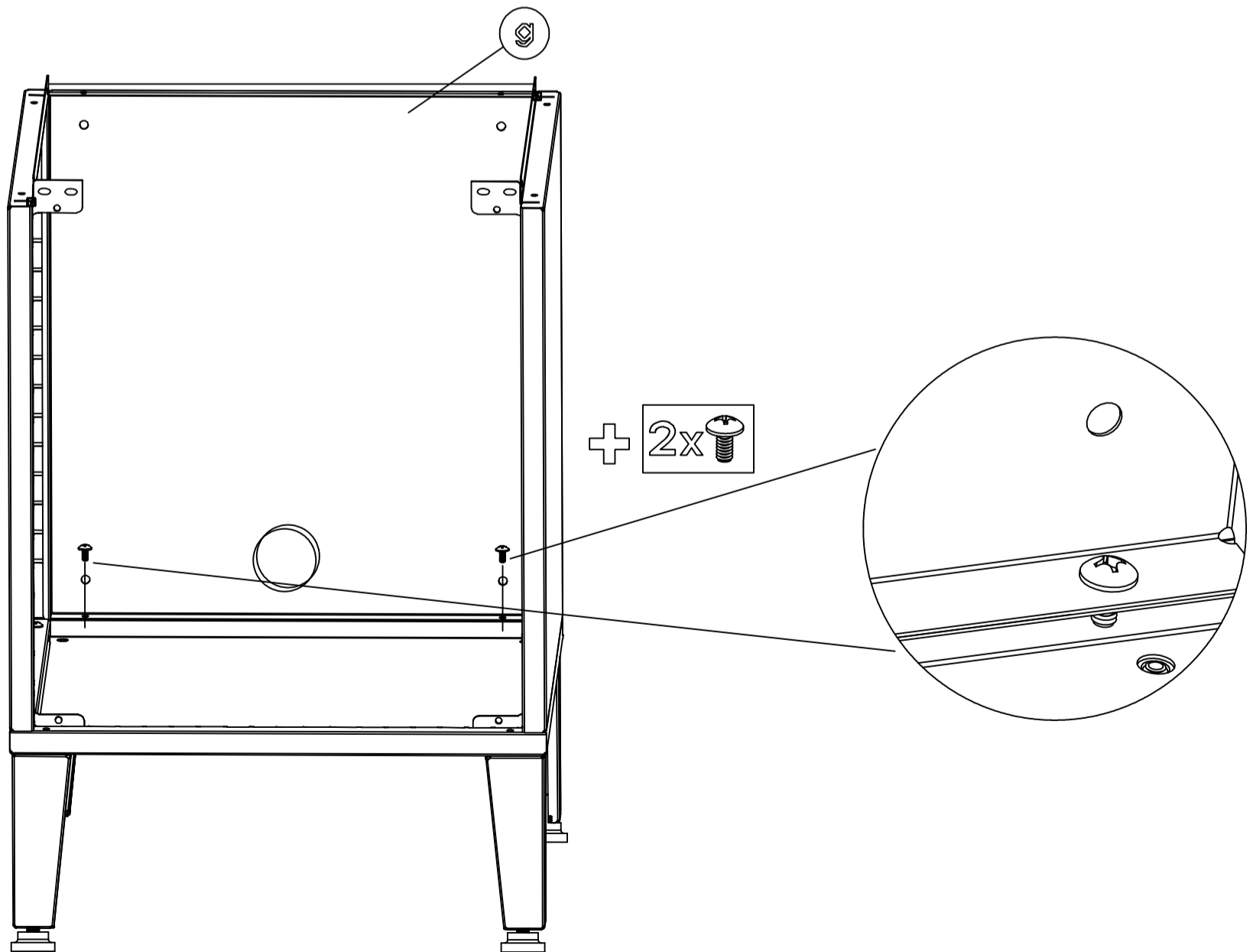
6



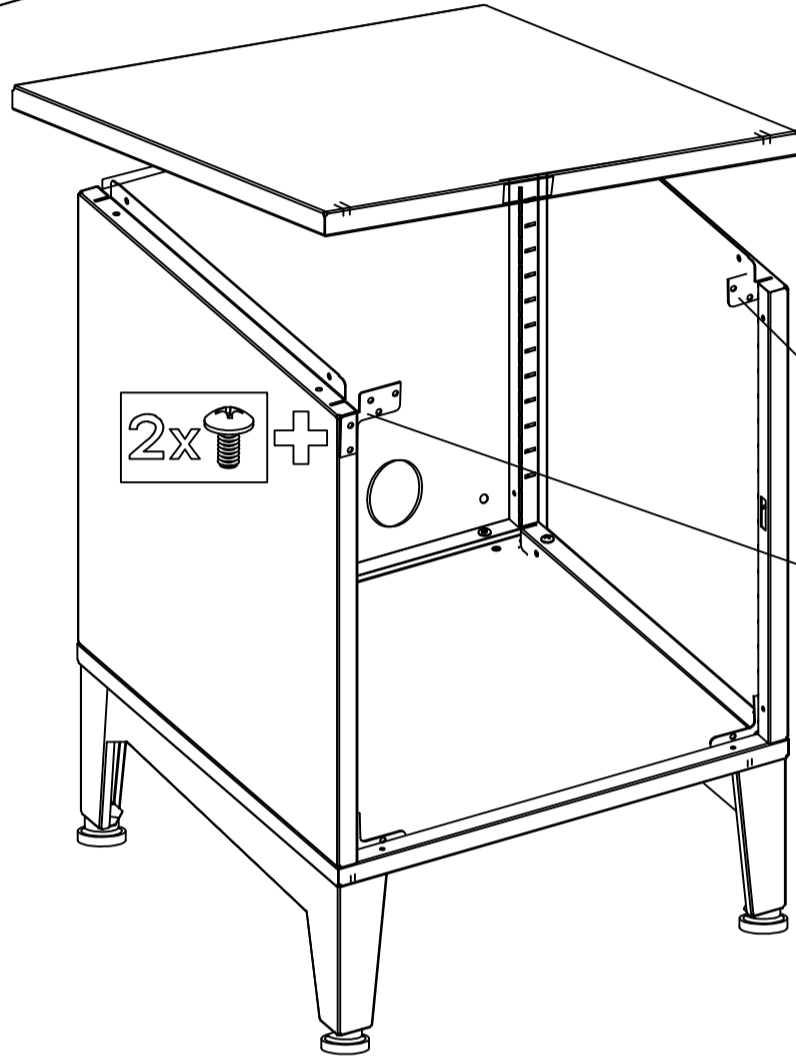
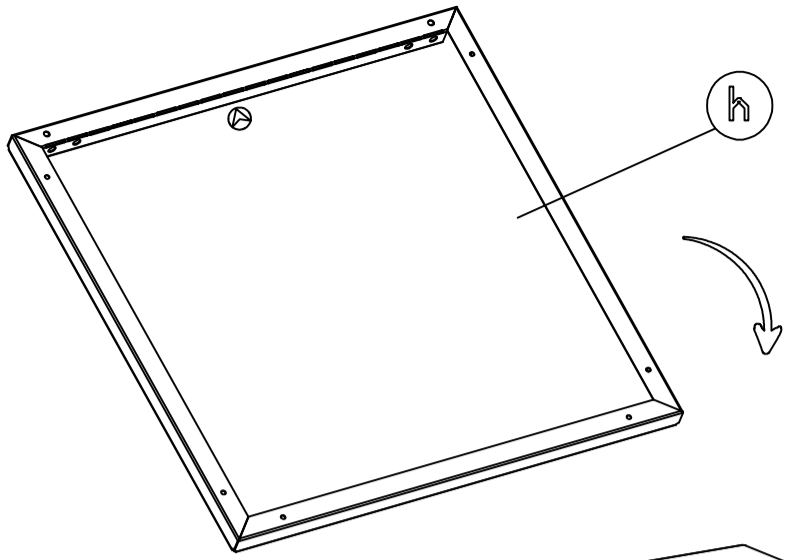
7




8

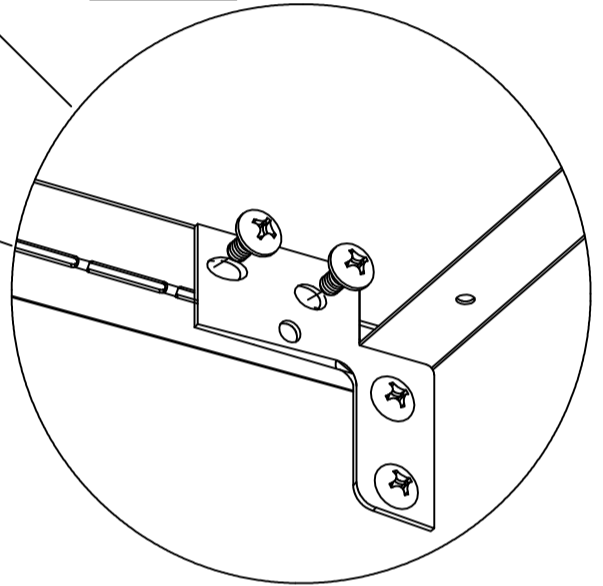


9

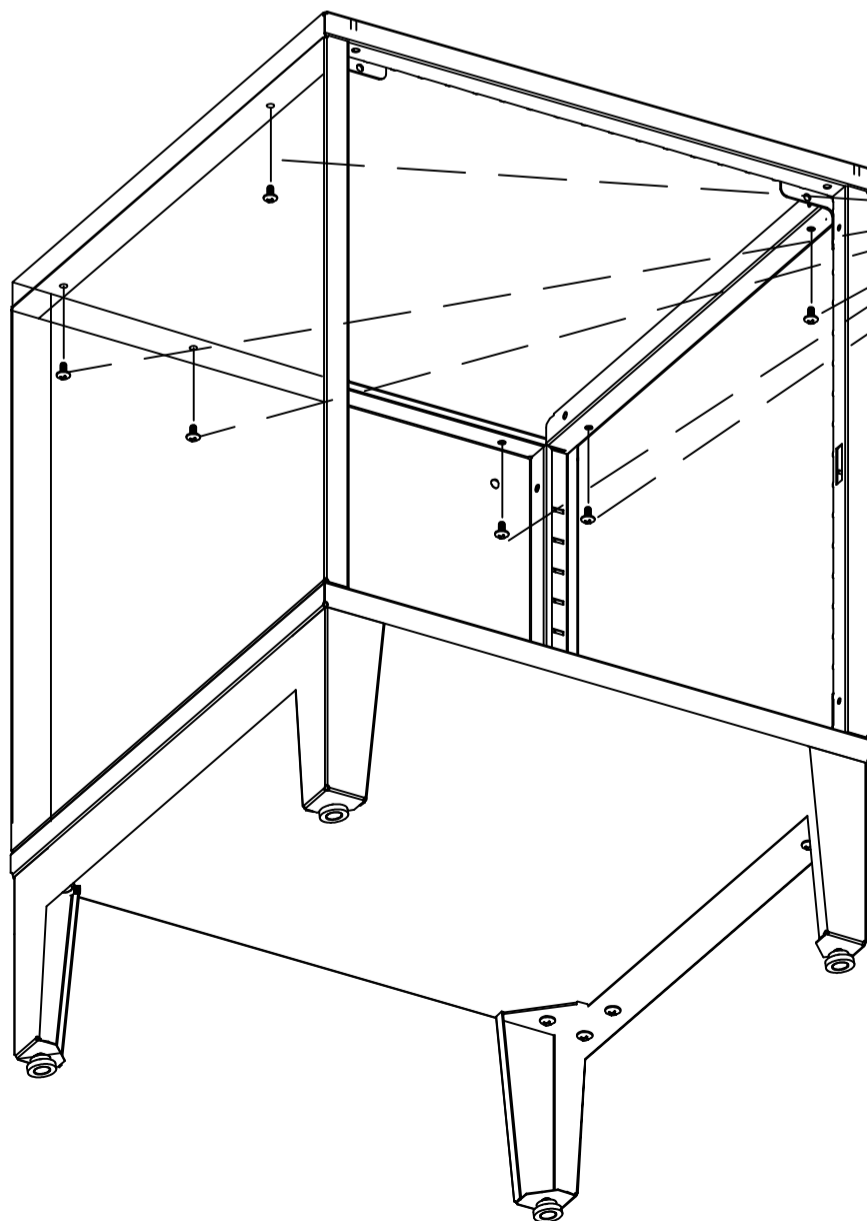



+ 2x 

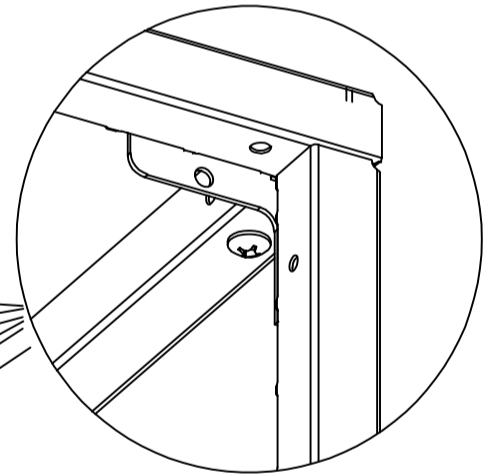
2x  +



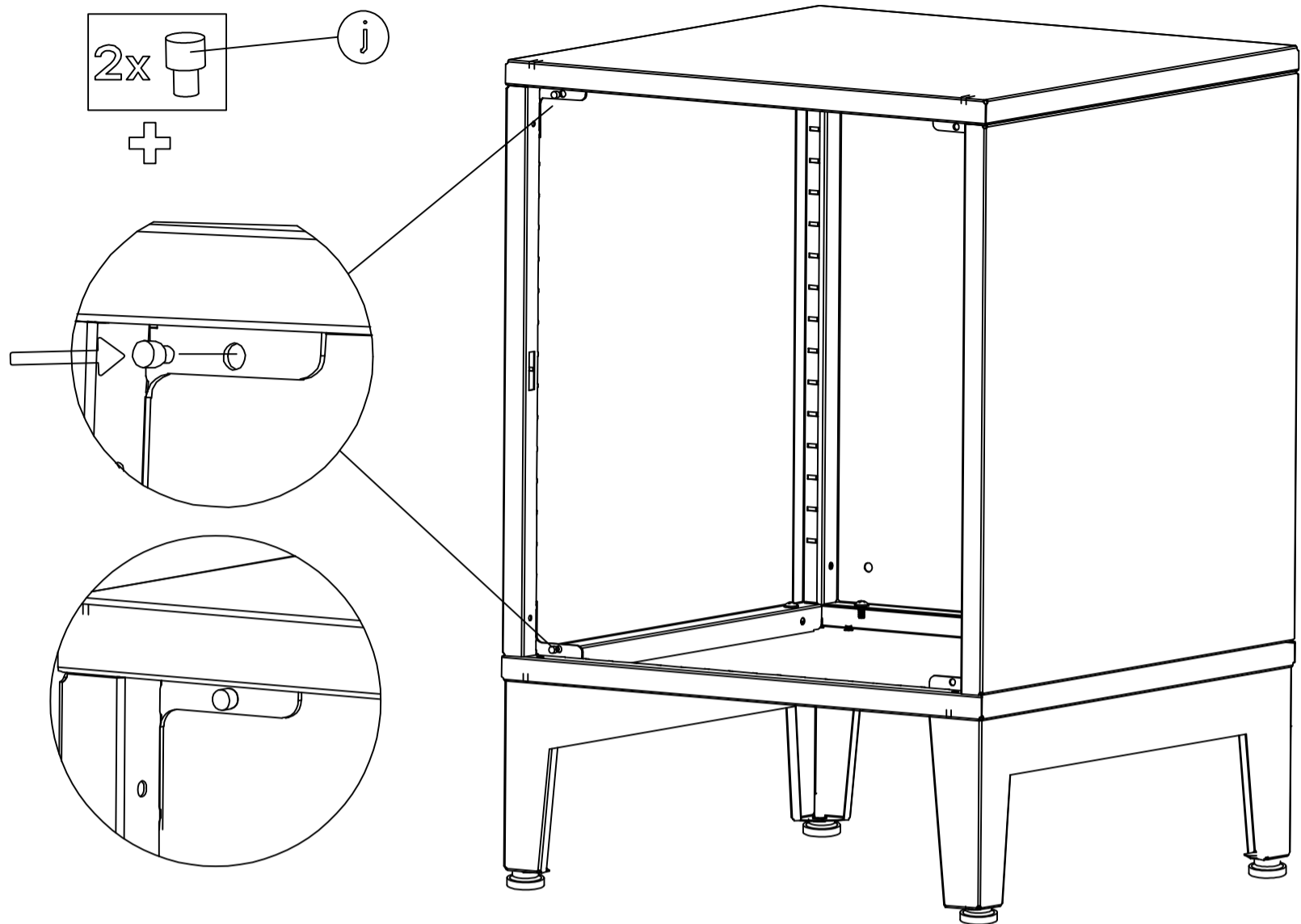
10



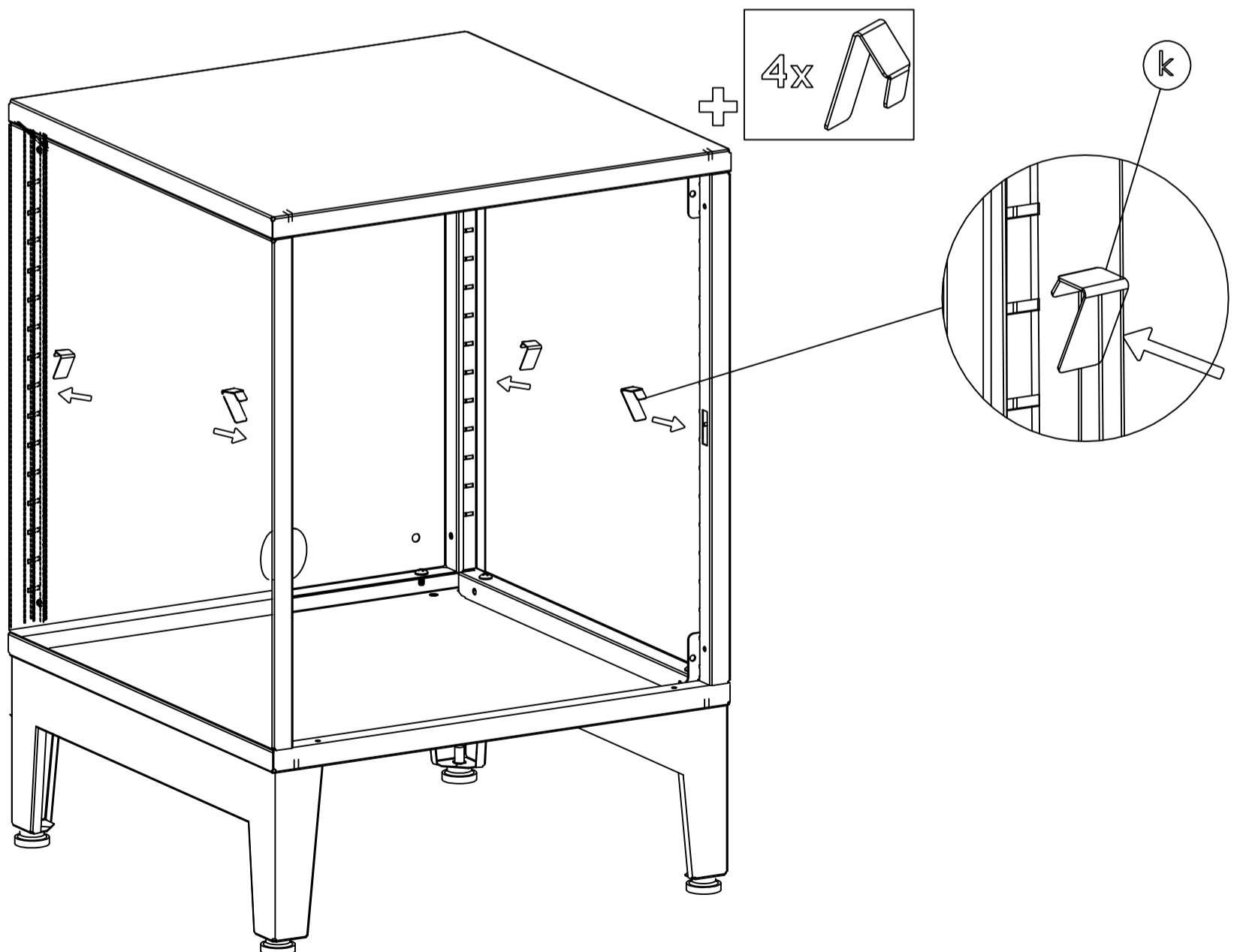
+ 6x 



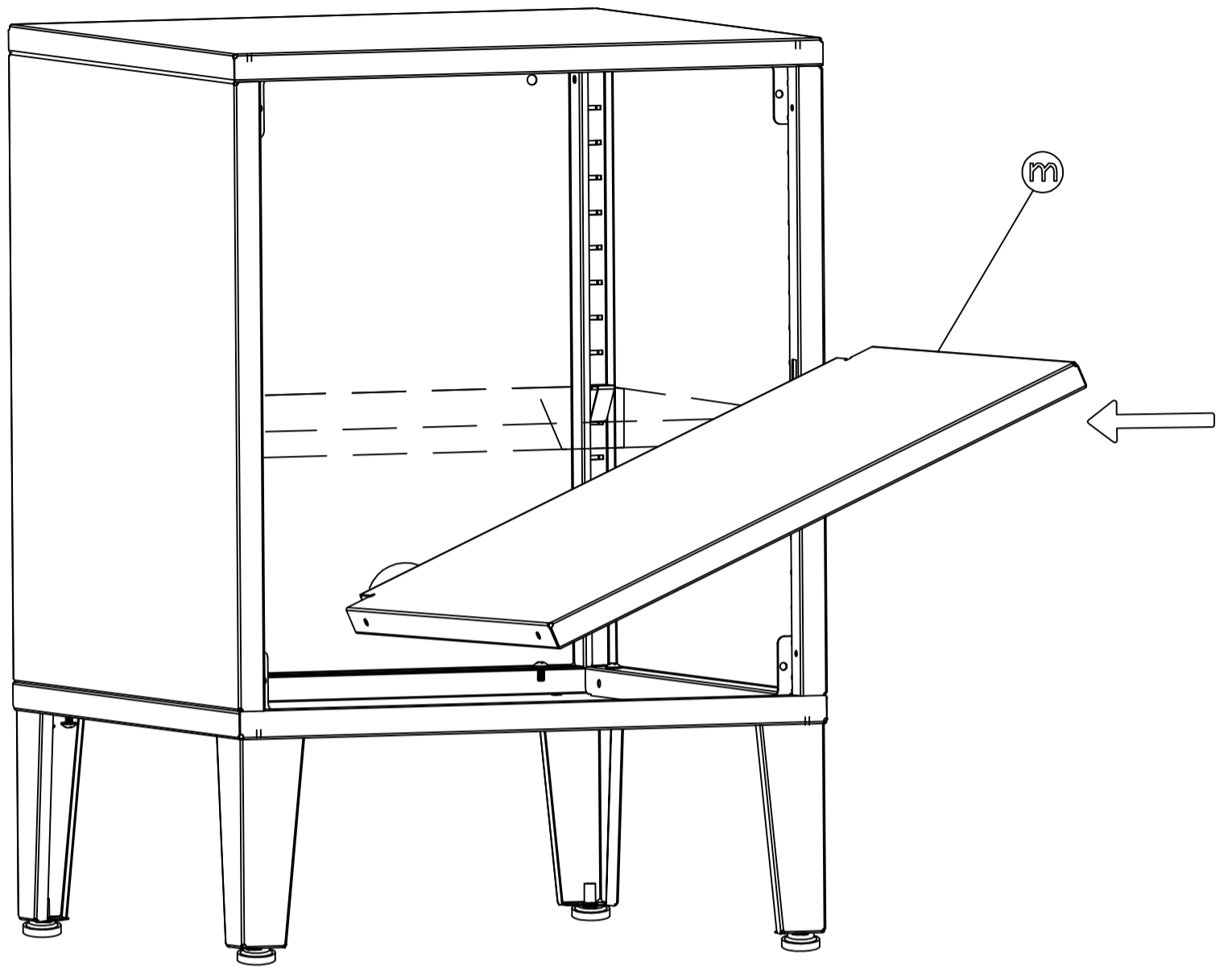
11



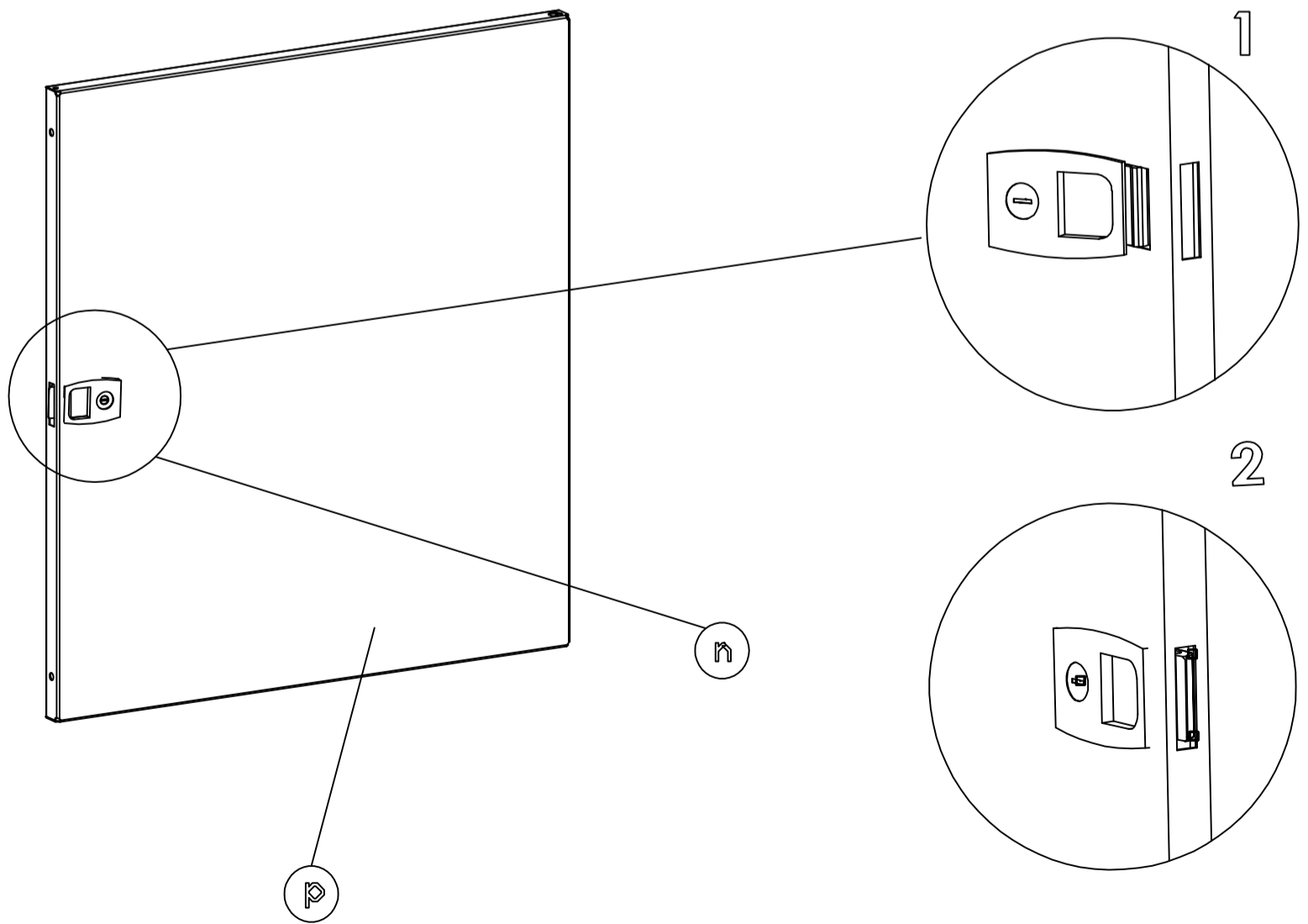
12



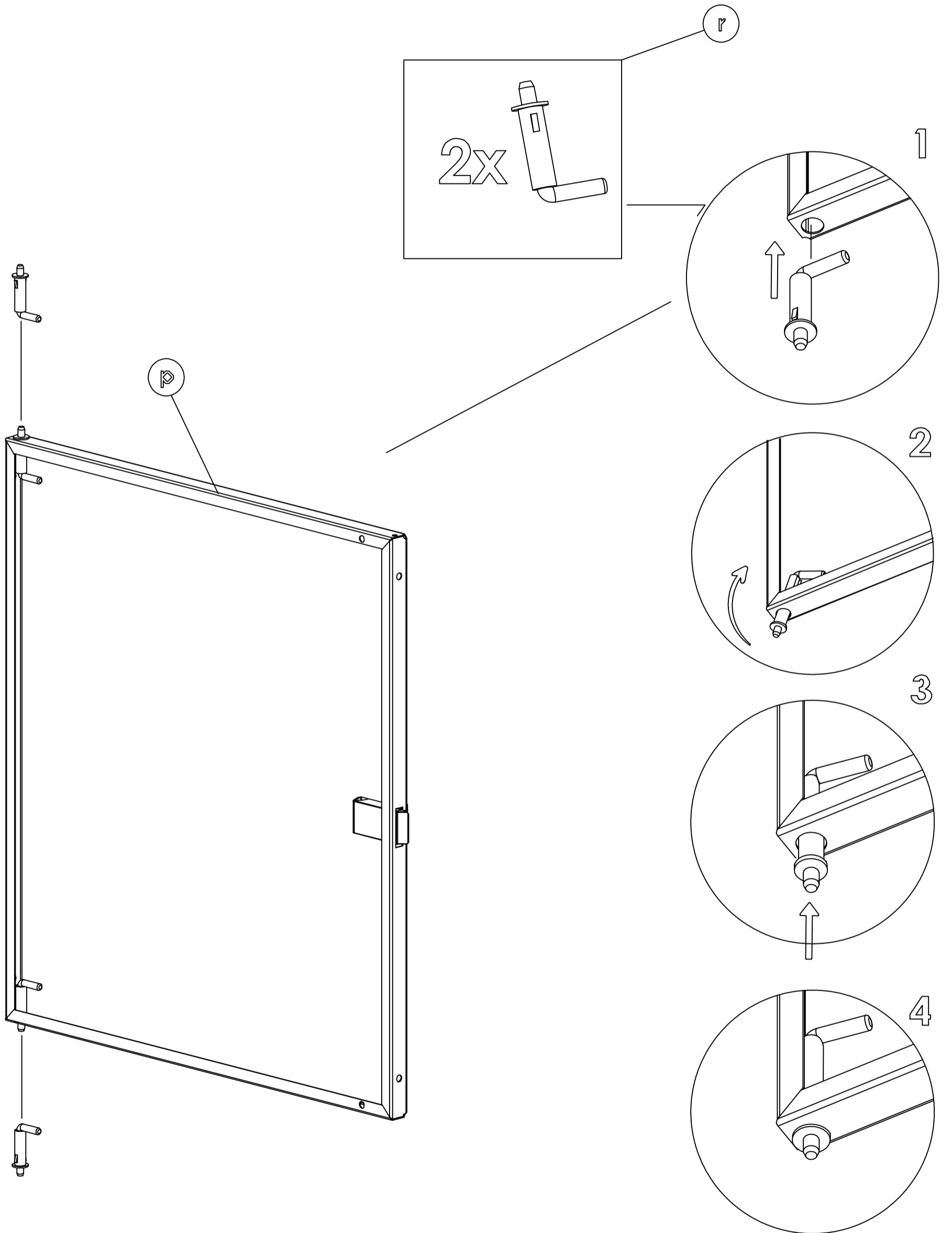
13



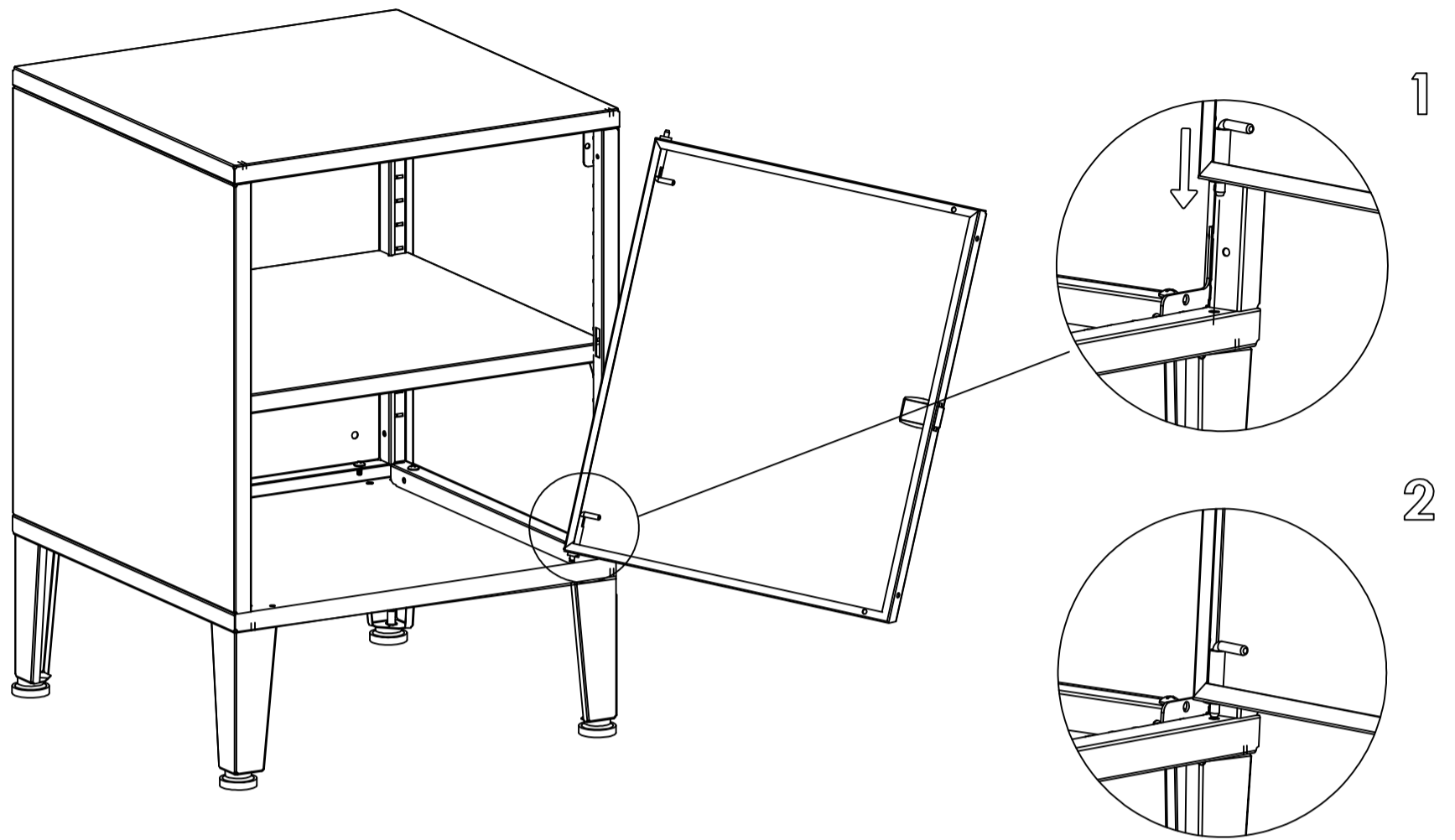
14



15



16



17

