



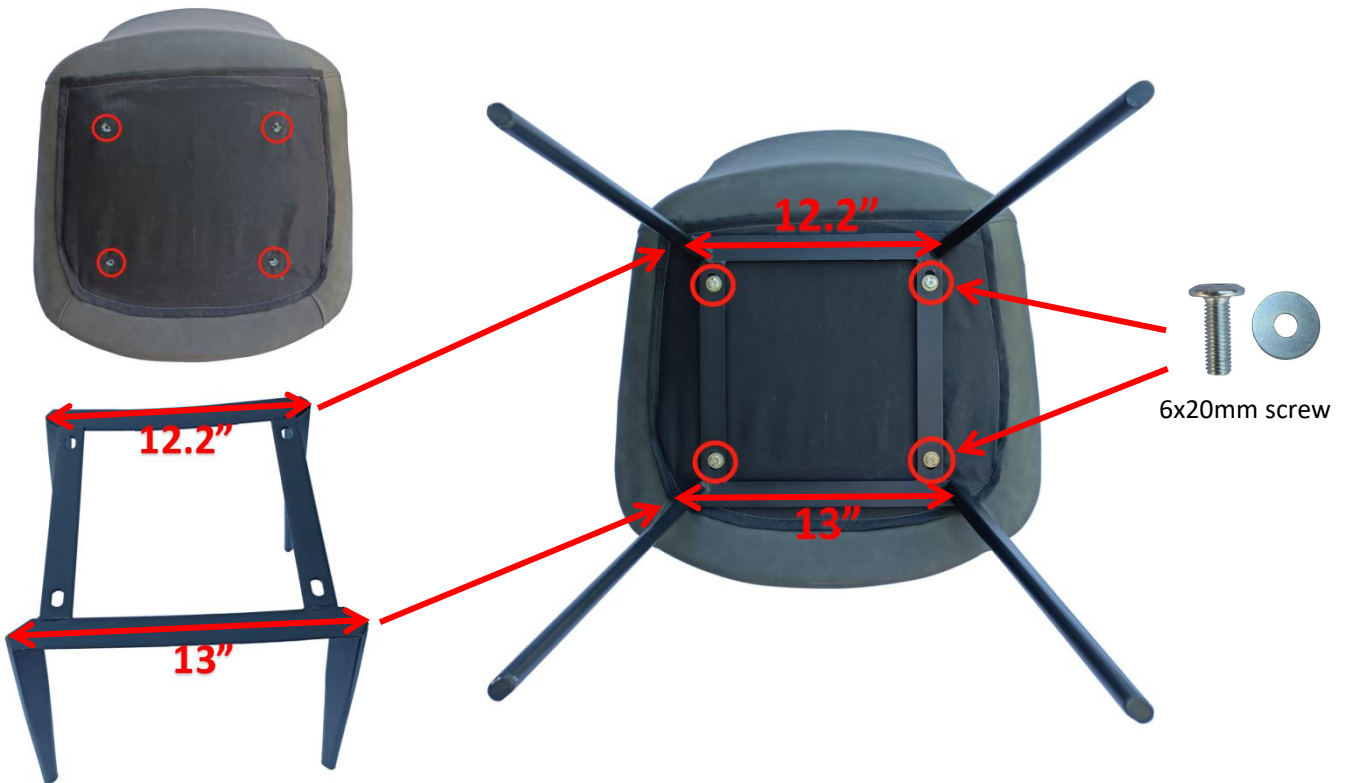


Installation

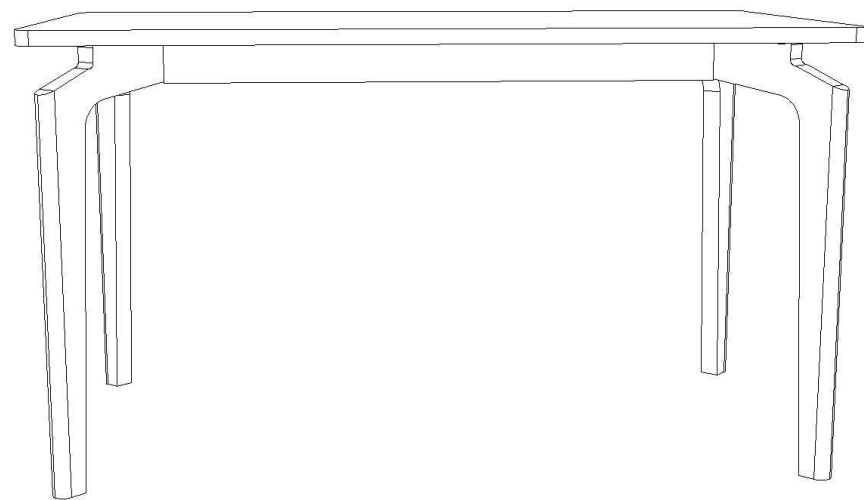
Hardware List		Hardware List	
 Seat	1	 Support leg	1
 6x20mm screws and washers	4	 Hexagonal screw tap	1

1



Note: The wider side (13") of the support foot corresponds to the front edge of the seat. The narrow side (12.2") corresponds to the back edge of the seat. Fix with 6x20mm screws.





Dining Table

Notice:

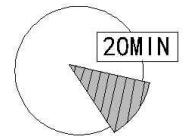
This box kit is a connecting screw kit for 1.6 meter countertops, please use this kit to install 1.6 meter countertops, the kit in the foot carton is a connecting screw accessory for 1.4 meter countertops, please scrap it.







Recommended installers: 2

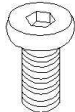

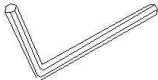
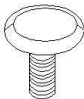






Put a carpet on the floor before unpacking

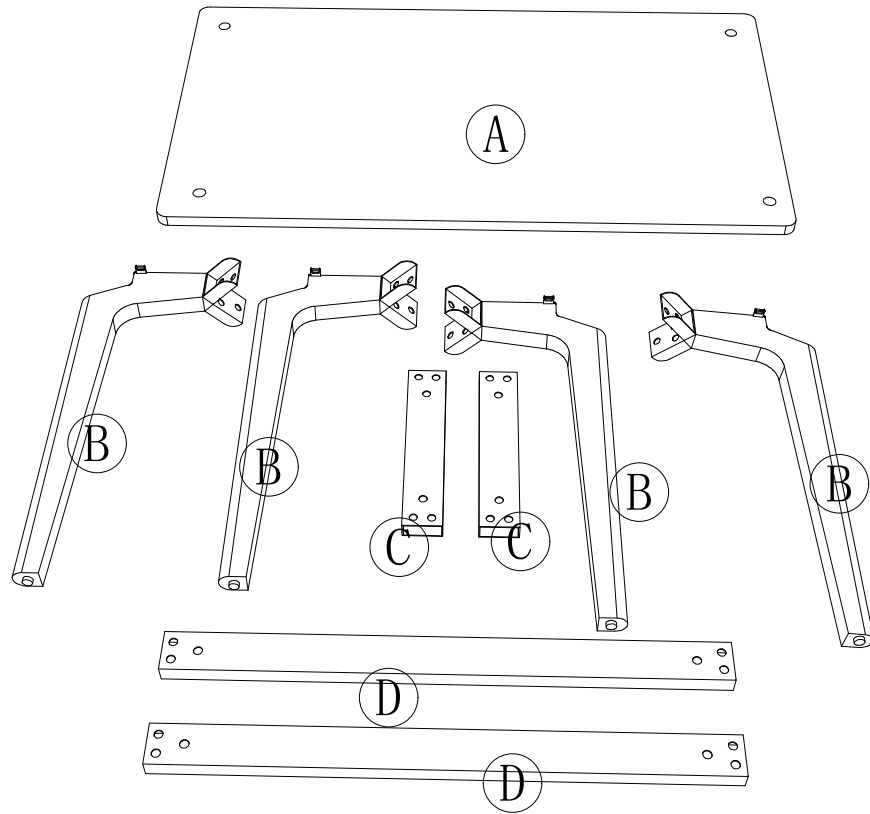


Estimate installation time: 20 minutes

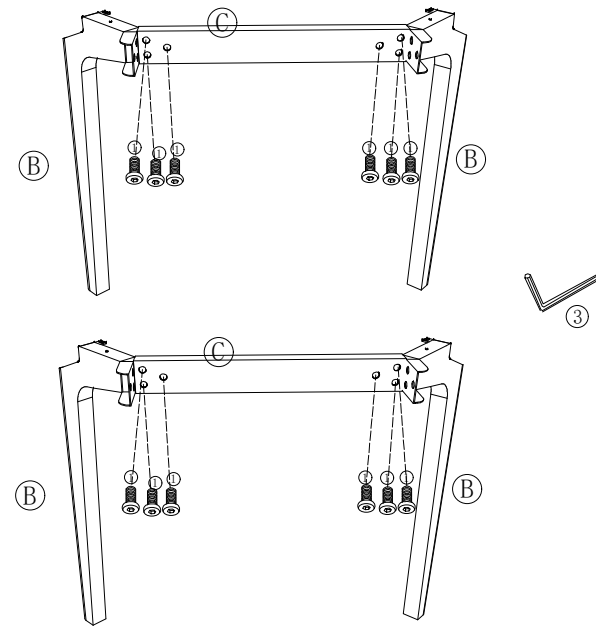
Item no.	Reference Image	Qty
A		X1
B		X4
C		X2
D		X2

Item no.	Reference Image	Qty
1	55IN:M8*16 or 63IN:M8*10 	X29
2		X4
3		X1
4		X4

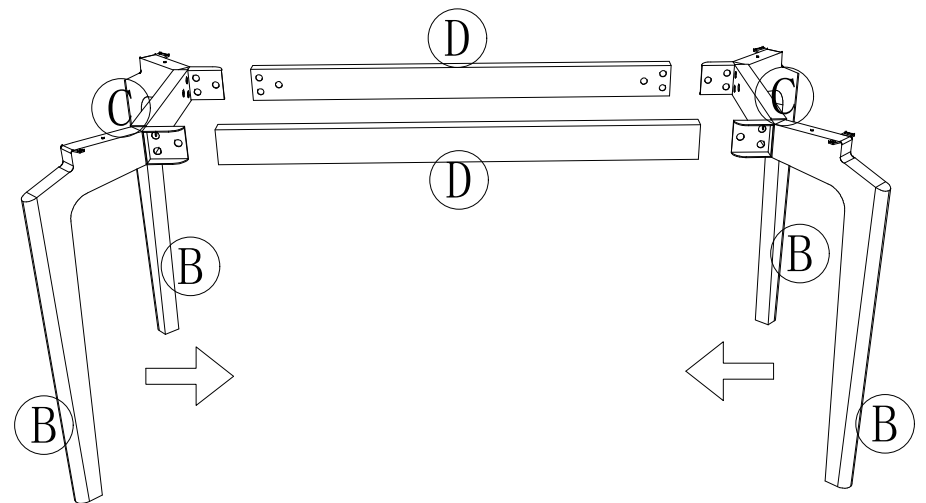
- ①  X29 ②  X4 ③  X1 ④  X4



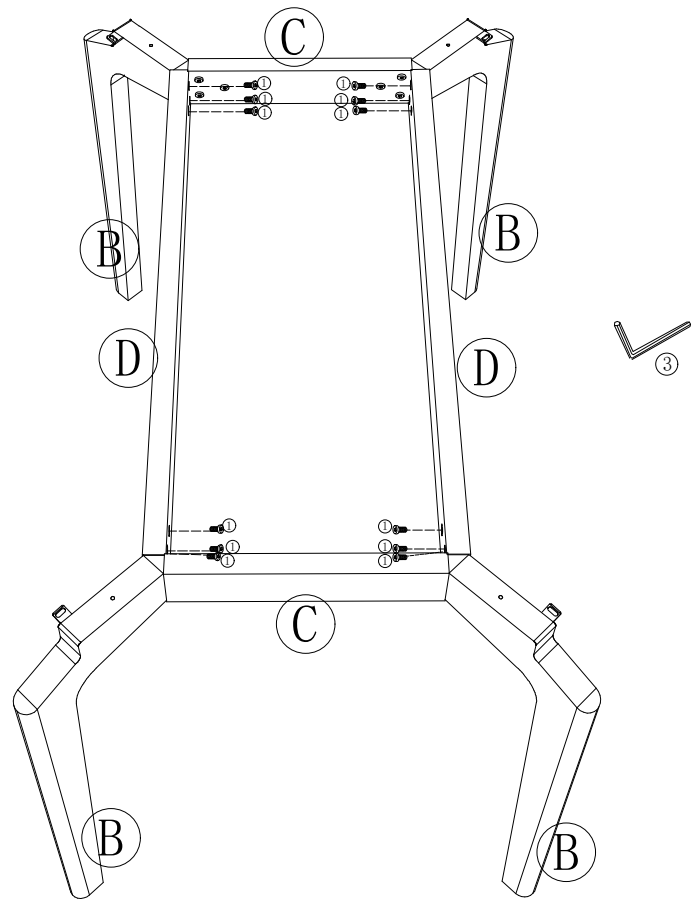
step1



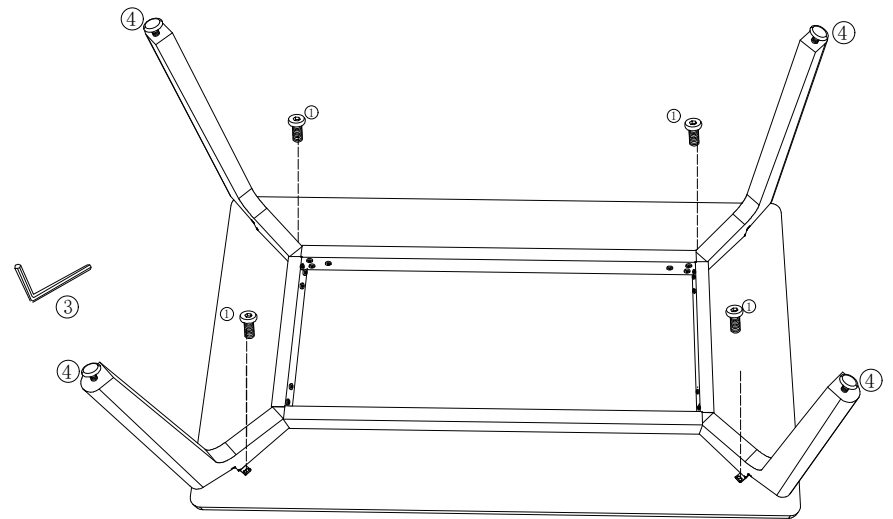
step2



step3



step4



Final

