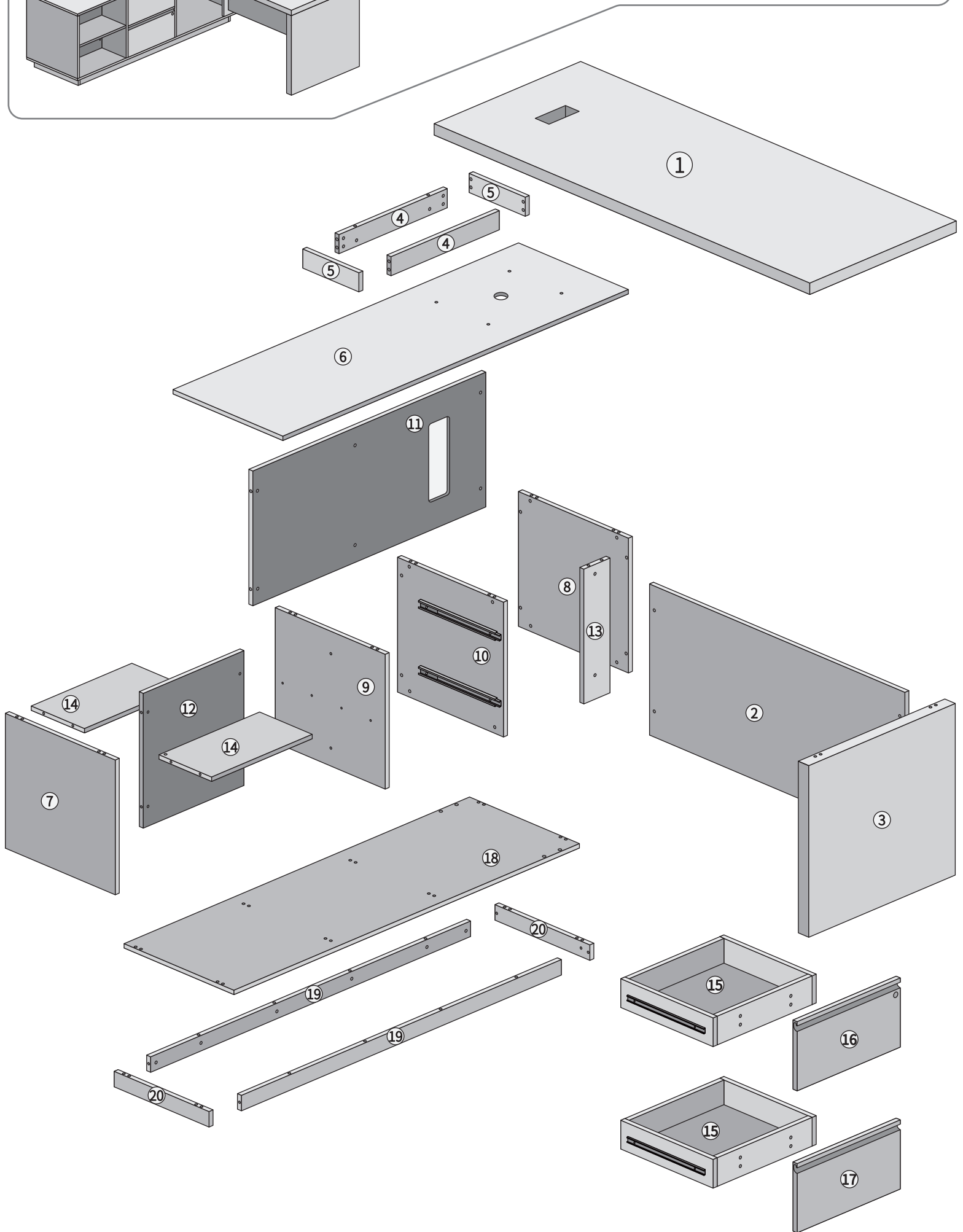
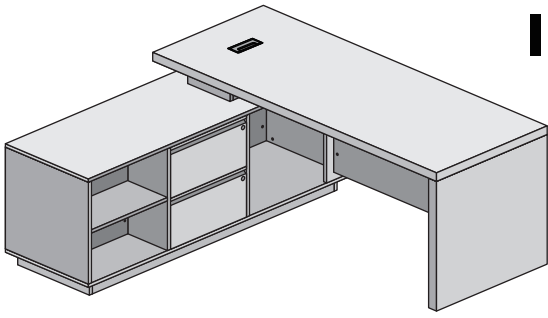


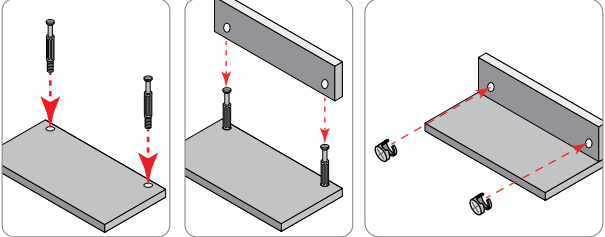

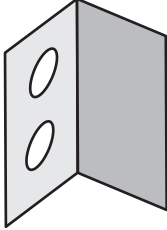
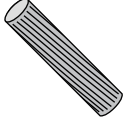
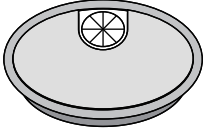

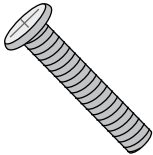
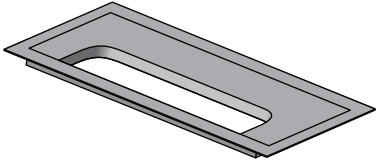

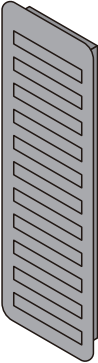


# INSTALLATION INSTRUCTIONS



# PARTS LIST

<p><b>A</b></p>	<p><b>A1</b></p>  <p>Three-in-one screw</p> <p>(The 3-in-1 connector consists of two parts)</p>	<p><b>A2</b></p>  <p>Eccentric nut</p>	
<p><b>B</b></p>	 <p>Anti-slip nail</p>		<p><b>G</b></p>  <p>Lock piece</p>
<p><b>C</b></p>	 <p>Wooden tenon</p>		<p><b>H</b></p>  <p>Cable holes</p>
<p><b>D</b></p>	 <p>Self-tapping screw</p>		
<p><b>E</b></p>	 <p>Screw</p>		<p><b>I</b></p>  <p>Desktop cable holes</p>
<p><b>F</b></p>	 <p>Layer board nail</p>		<p><b>J</b></p>  <p>Computer vents</p>

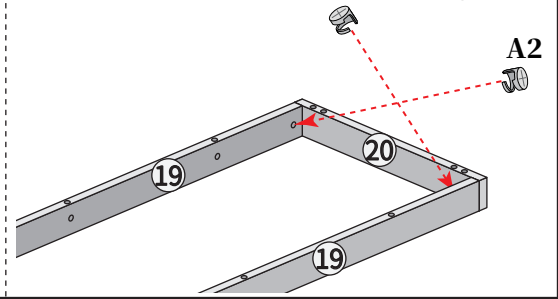
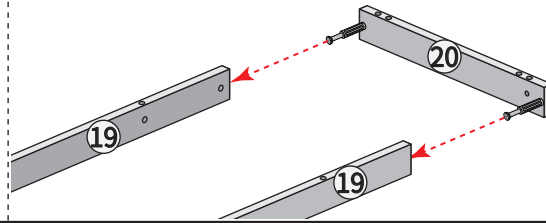
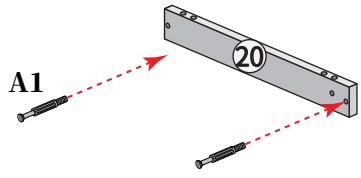
**STEP 1**

The vertical assembly between each two boards is connected in this way.

Install the #A1 (three-in-one screw) into the hole on the #20 board.

Align the #19 board with the screw, and then join the two boards together.

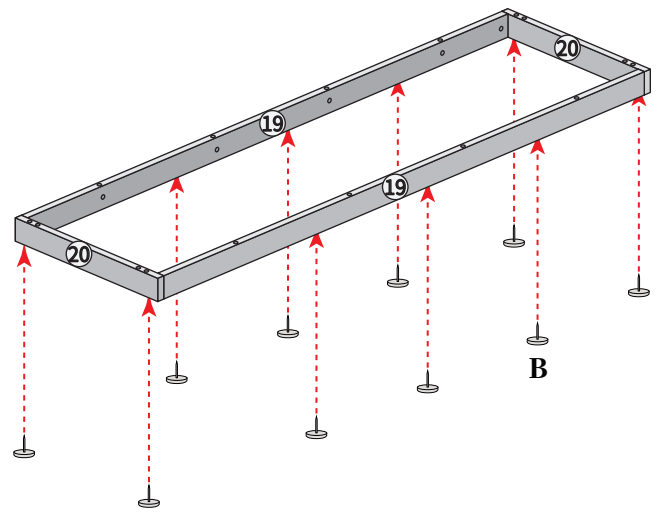
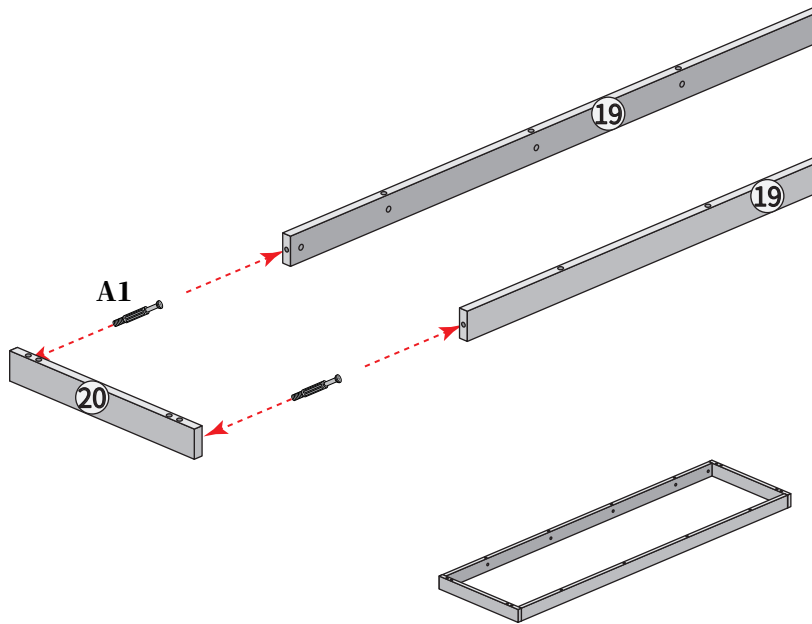
Fix #A2 onto the hole on #19 board and tighten it.

**STEP 2**

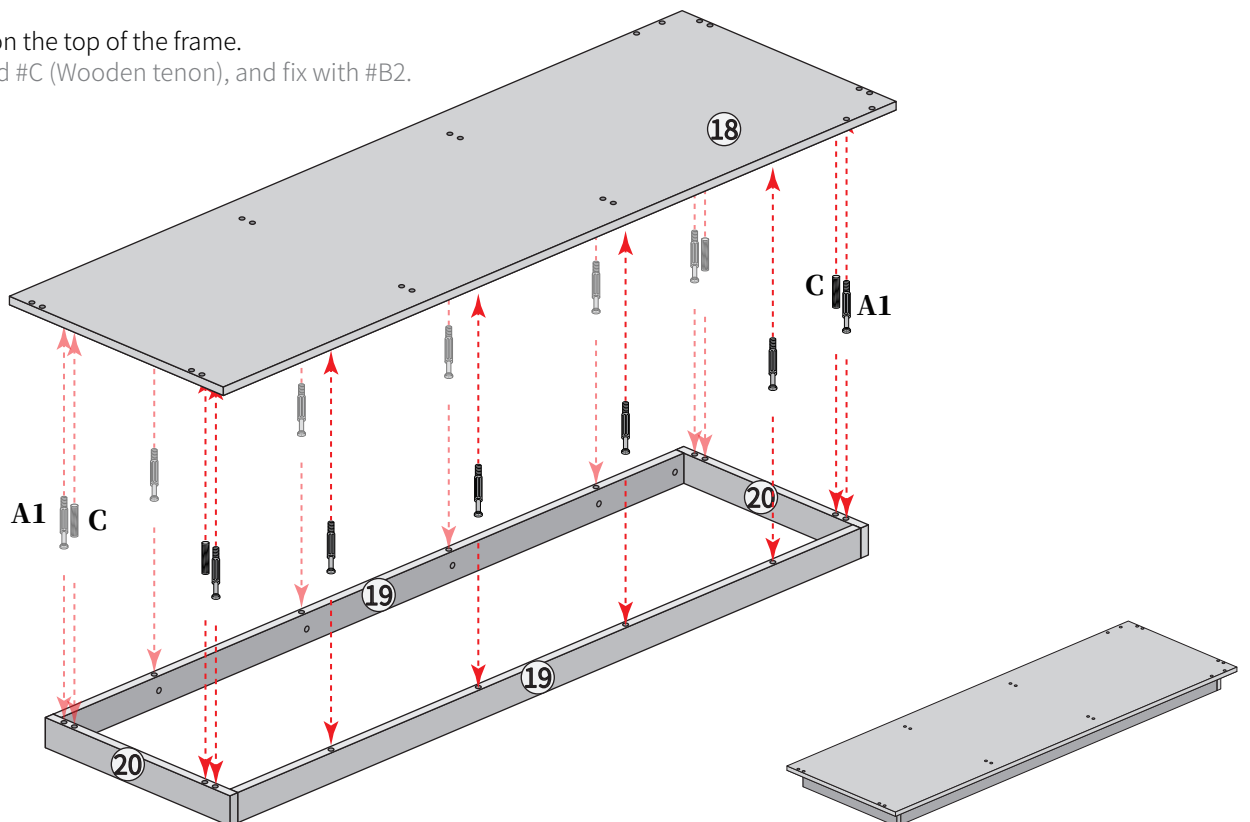
Connect another piece of #20 board to the other end of #19 board. Use #A1 for connection and #A2 for fixation

**STEP 3**

On the side of this frame that has no holes, which is the bottom that contacts the ground, #B(anti-slip nails) are installed.

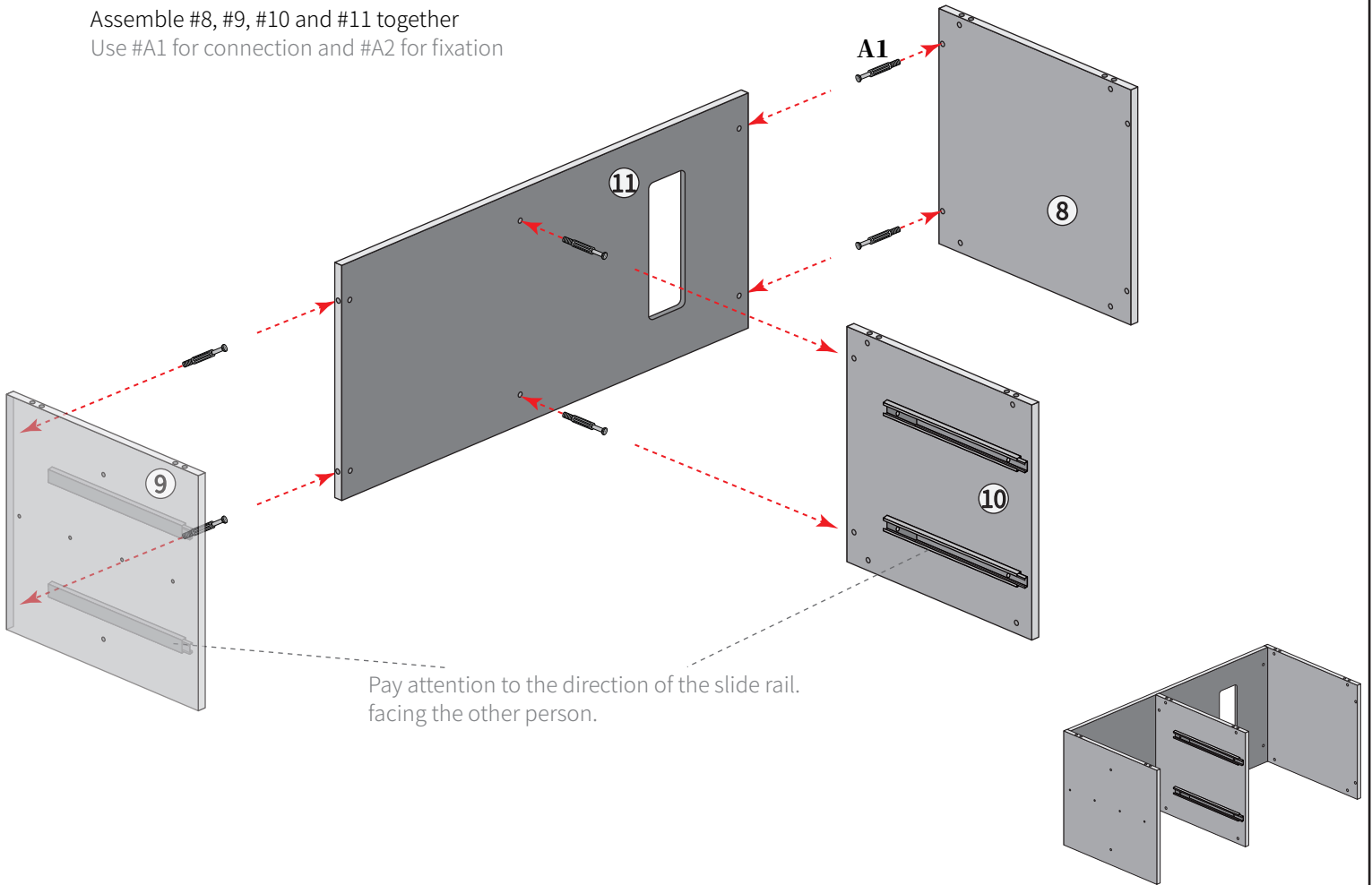
**STEP 4**

Install the #18 board on the top of the frame. Connect using #A1 and #C (Wooden tenon), and fix with #B2.



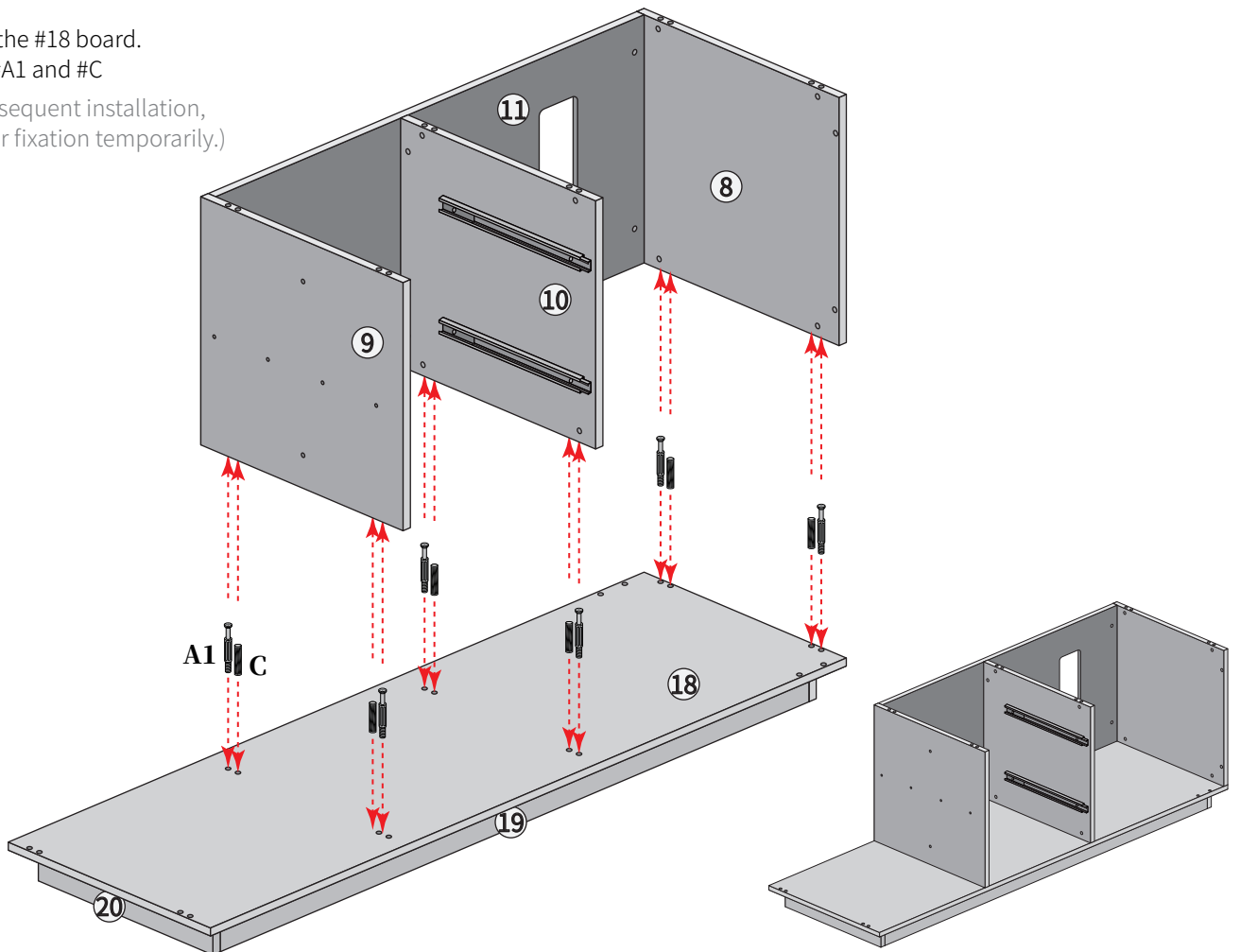
**STEP 5**

Assemble #8, #9, #10 and #11 together  
Use #A1 for connection and #A2 for fixation



**STEP 6**

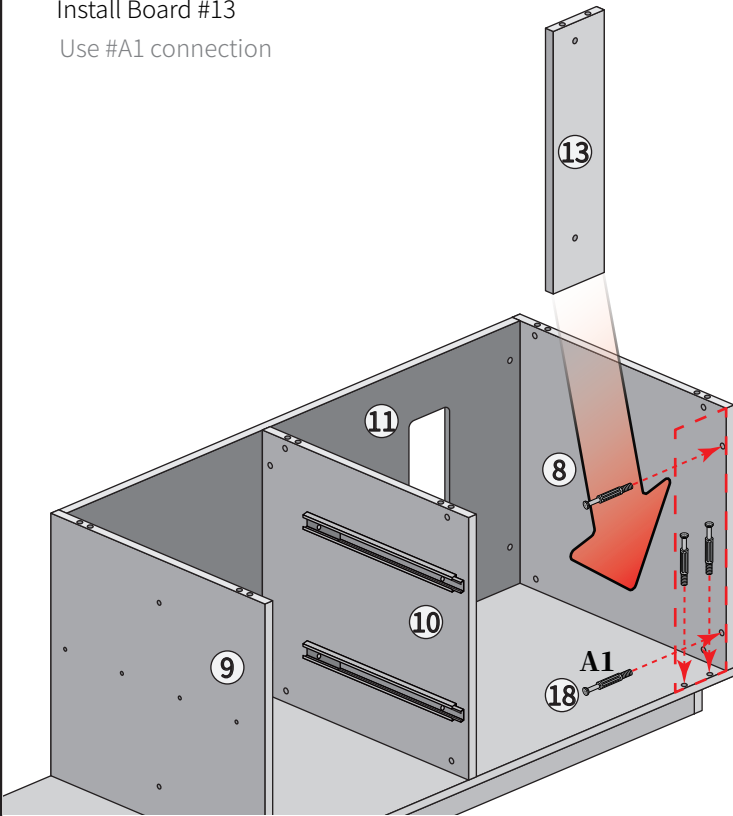
Install them on the #18 board.  
Connect using #A1 and #C  
(For ease of subsequent installation, don't use #A2 for fixation temporarily.)



**STEP 7**

Install Board #13

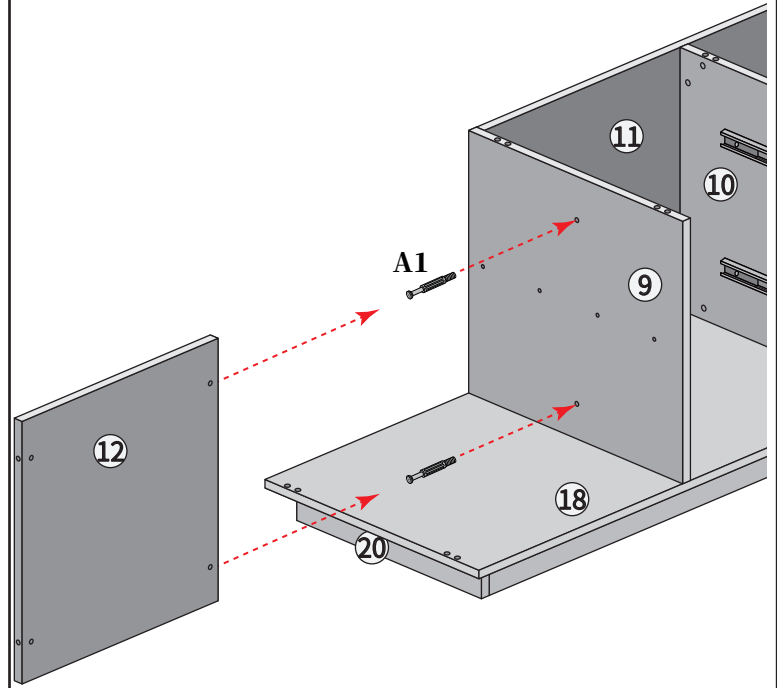
Use #A1 connection



**STEP 8**

Install Board #12.

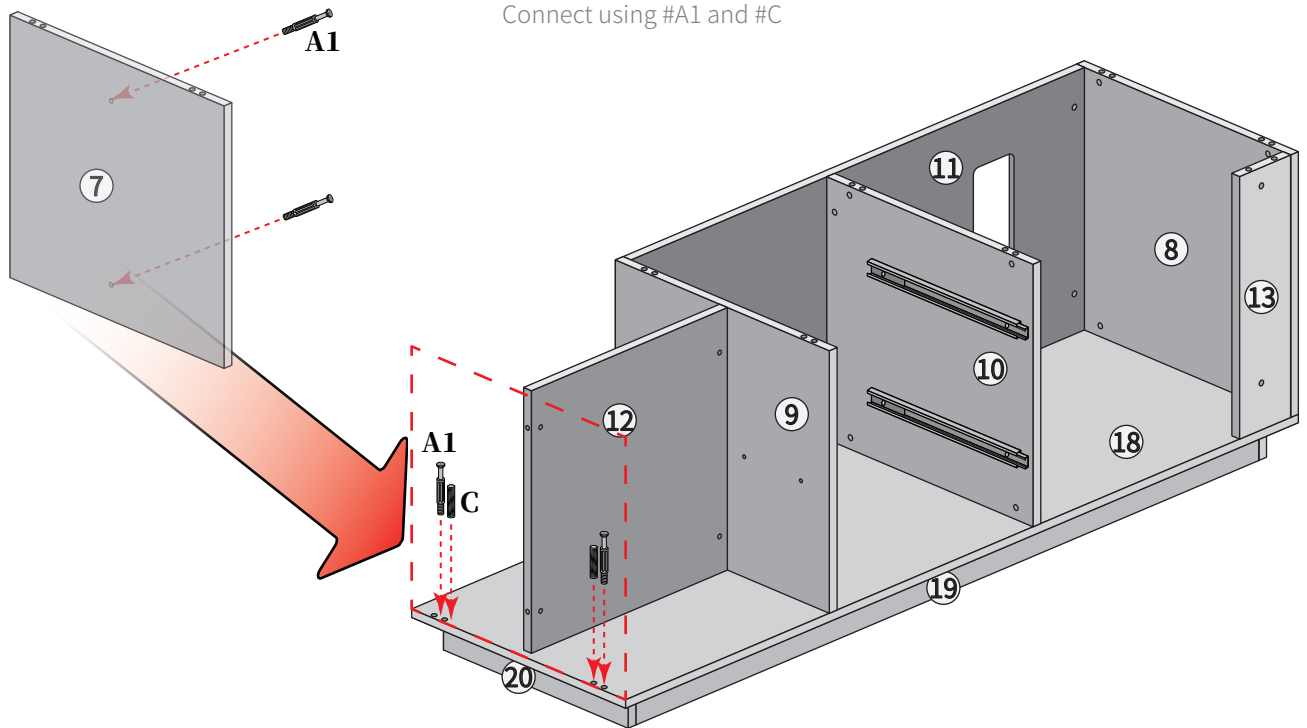
Use #A1 connection



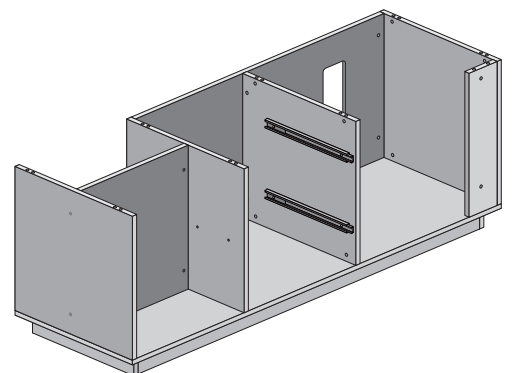
**STEP 9**

Install Board #7

Connect using #A1 and #C

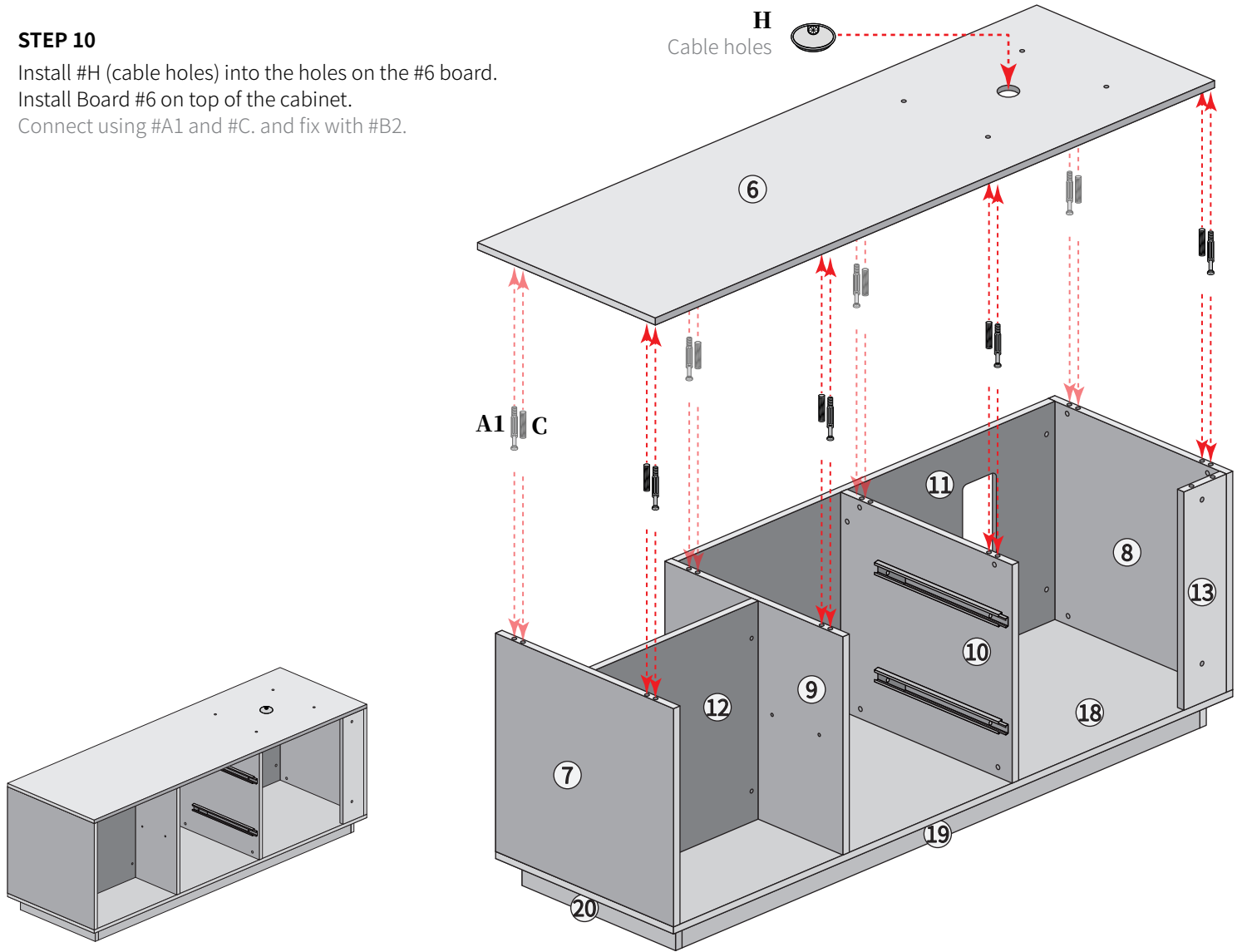


Then, all the screw holes should be tightened with #A2.



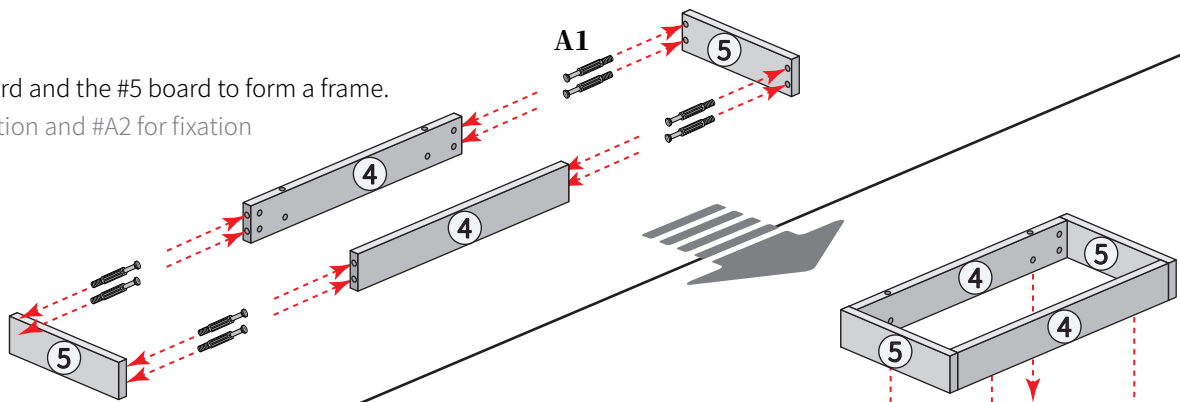
### STEP 10

Install #H (cable holes) into the holes on the #6 board.  
Install Board #6 on top of the cabinet.  
Connect using #A1 and #C. and fix with #B2.



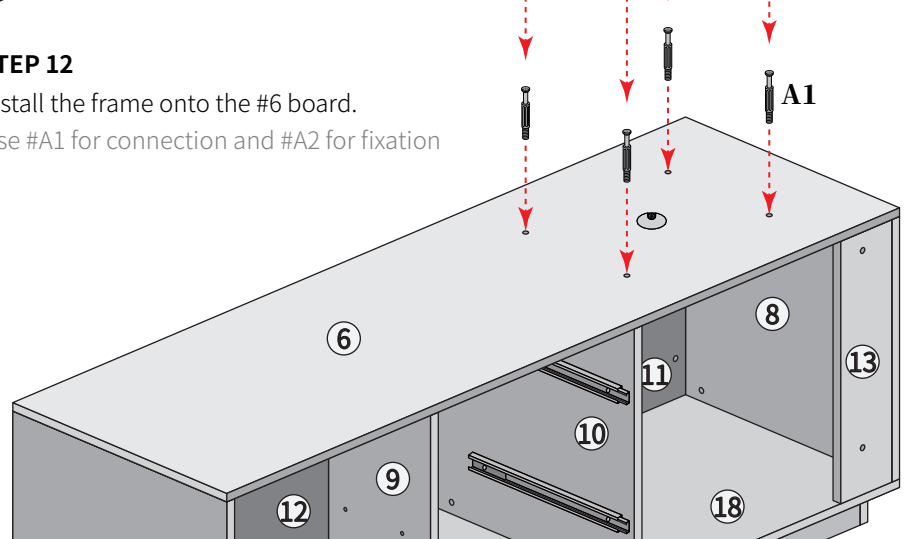
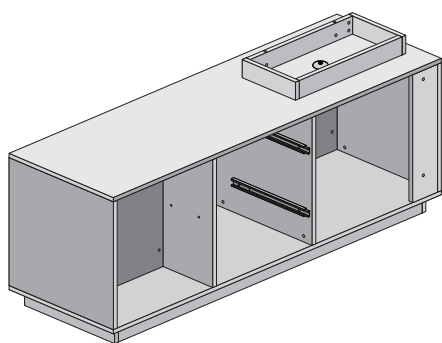
### STEP 11

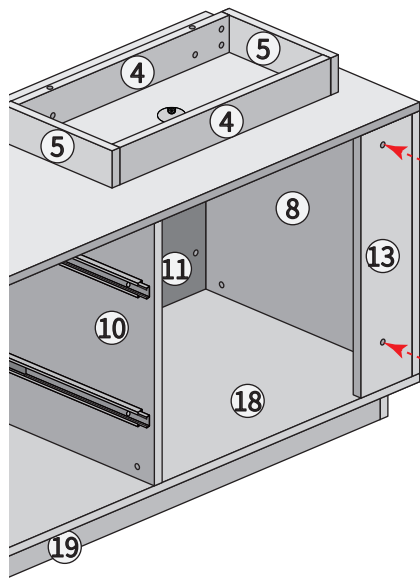
Connect the #4 board and the #5 board to form a frame.  
Use #A1 for connection and #A2 for fixation



### STEP 12

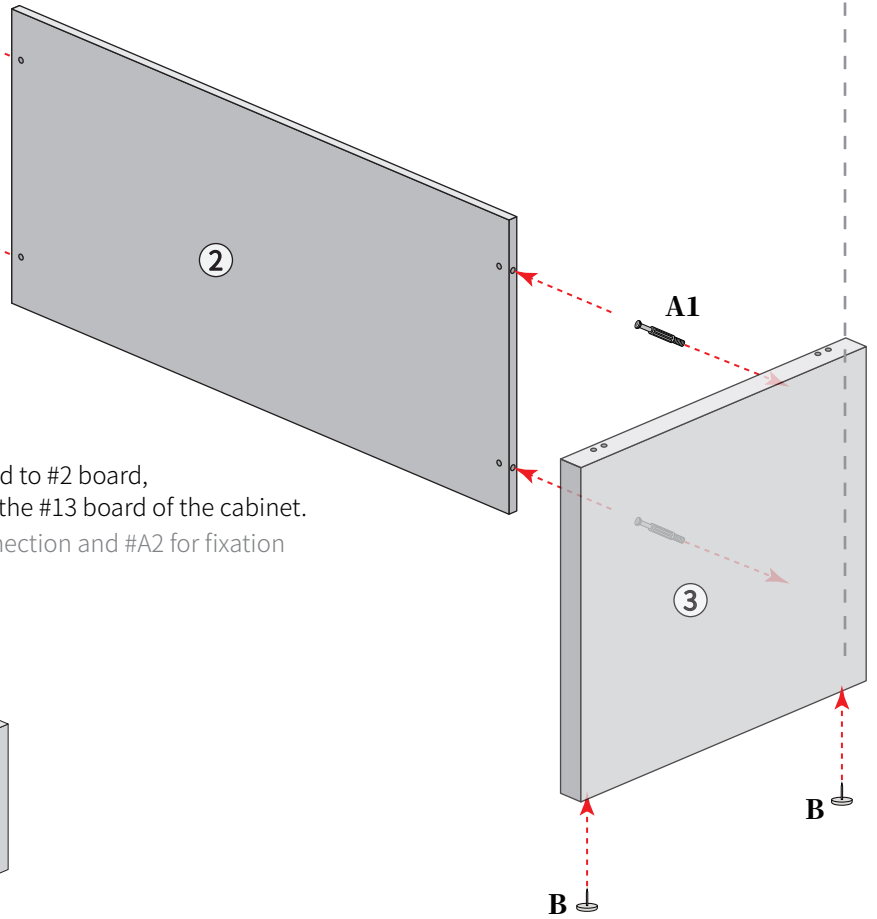
Install the frame onto the #6 board.  
Use #A1 for connection and #A2 for fixation





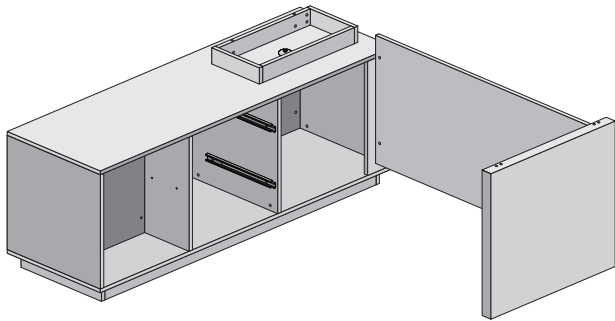
### STEP 13

Install anti-slip nails at the bottom of the #3 board  
 (The un-pierced end is in contact with the ground at the bottom, while the pierced end points upwards)



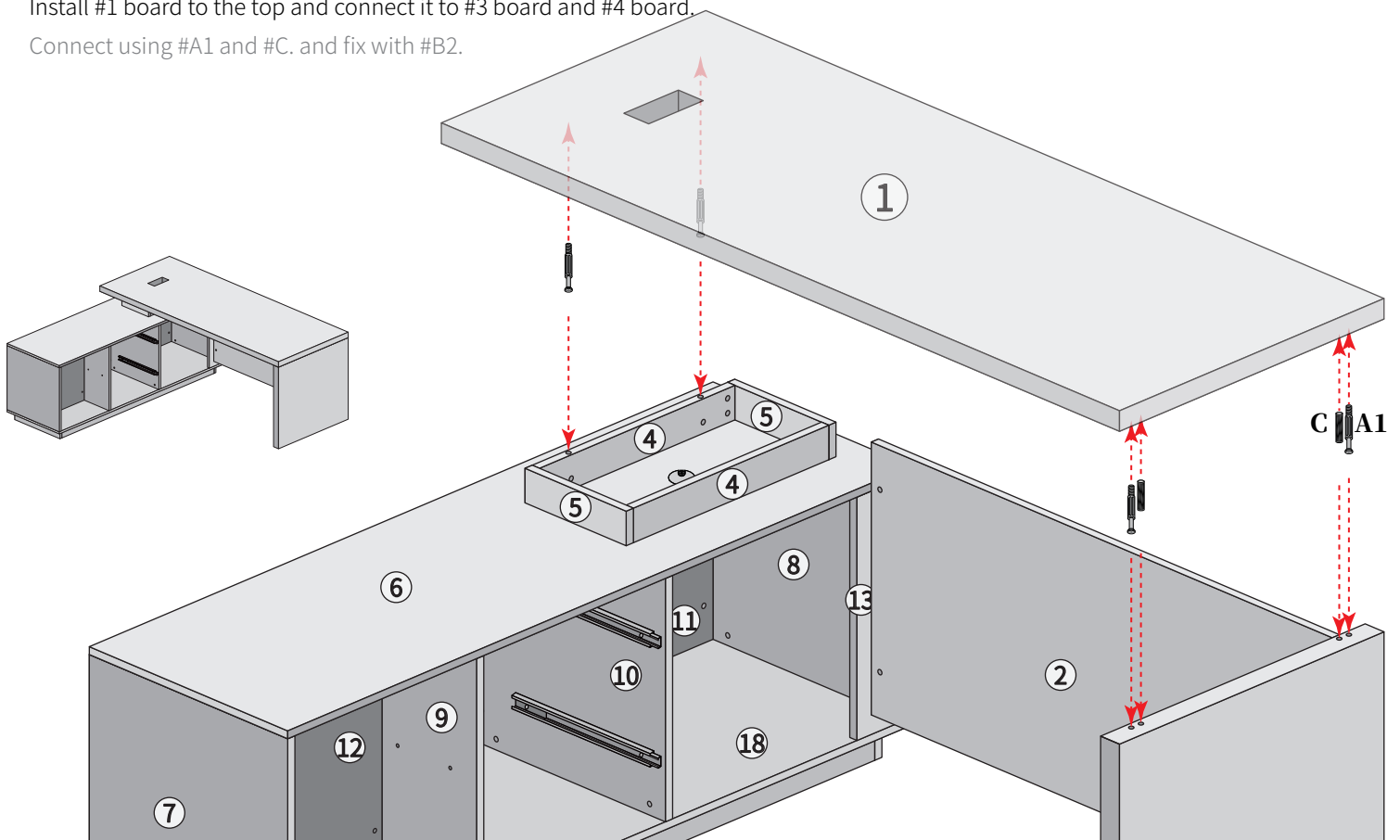
### STEP 14

Connect #3 board to #2 board,  
 and #2 board to the #13 board of the cabinet.  
 Use #A1 for connection and #A2 for fixation



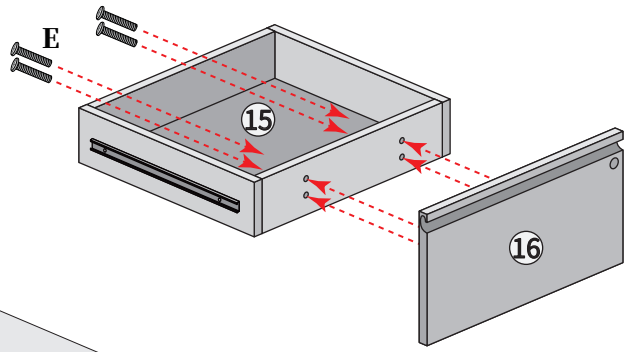
### STEP 15

Install #1 board to the top and connect it to #3 board and #4 board.  
 Connect using #A1 and #C. and fix with #B2.



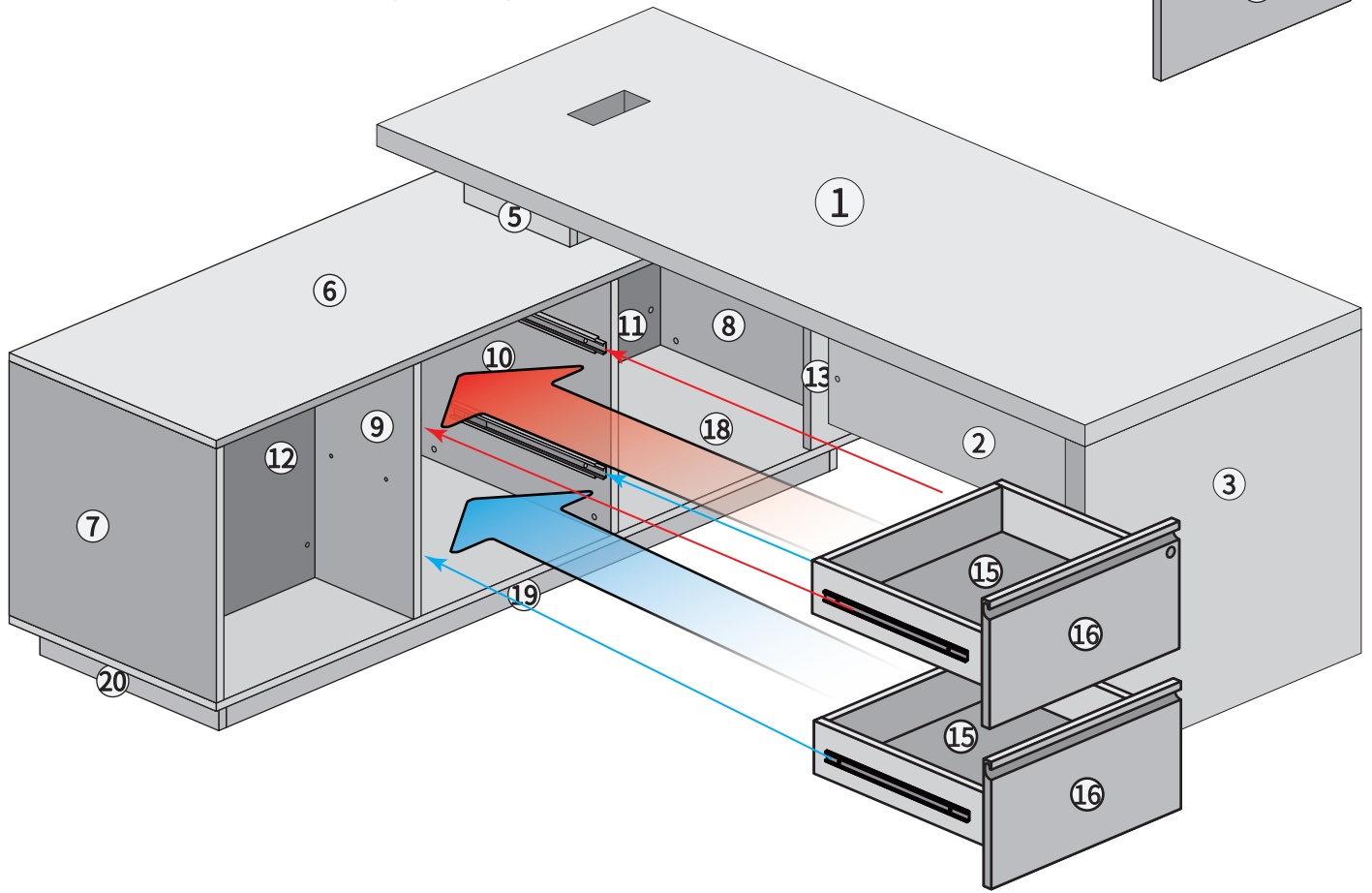
**STEP 16**

Install the #16 board onto the drawer and secure it with #E(Screw).



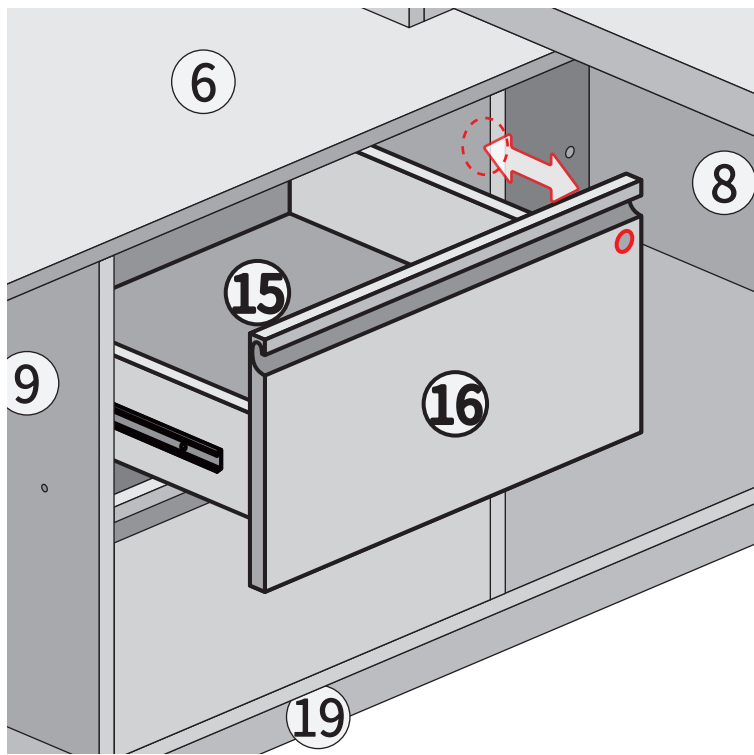
**STEP 17**

Place the drawer into the cabinet along the sliding track.

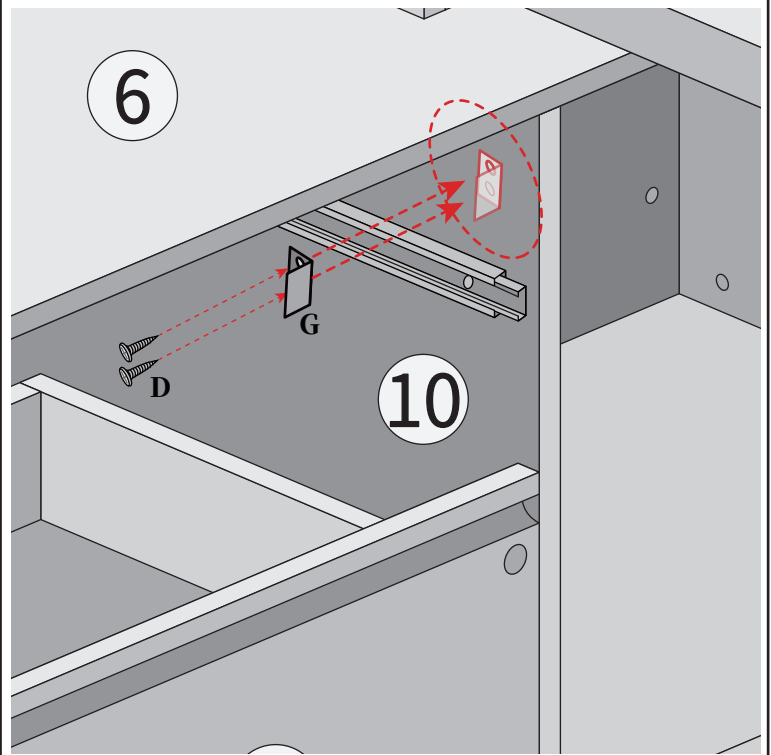


**STEP 18**

Pull the drawer out a little and mark the inner wall corresponding to the drawer lock.

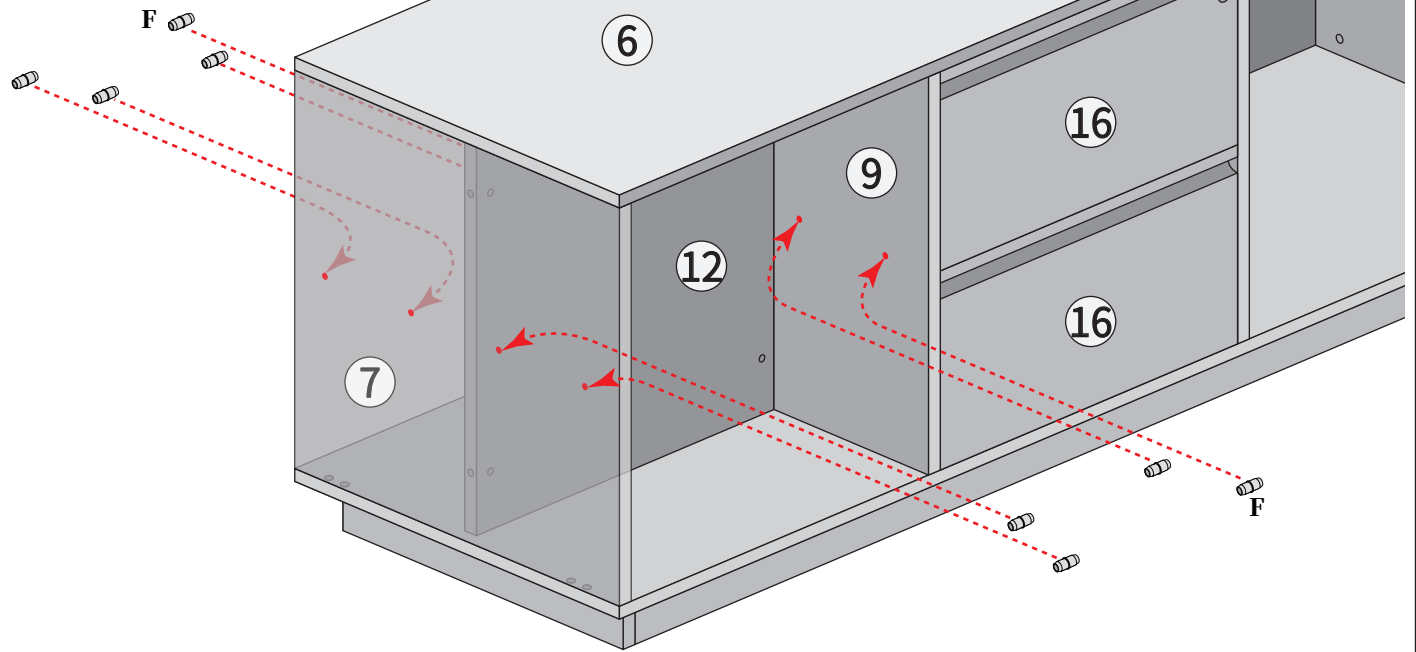


Install the #G(Lock piece) at the marked position using #D (self-tapping screws)



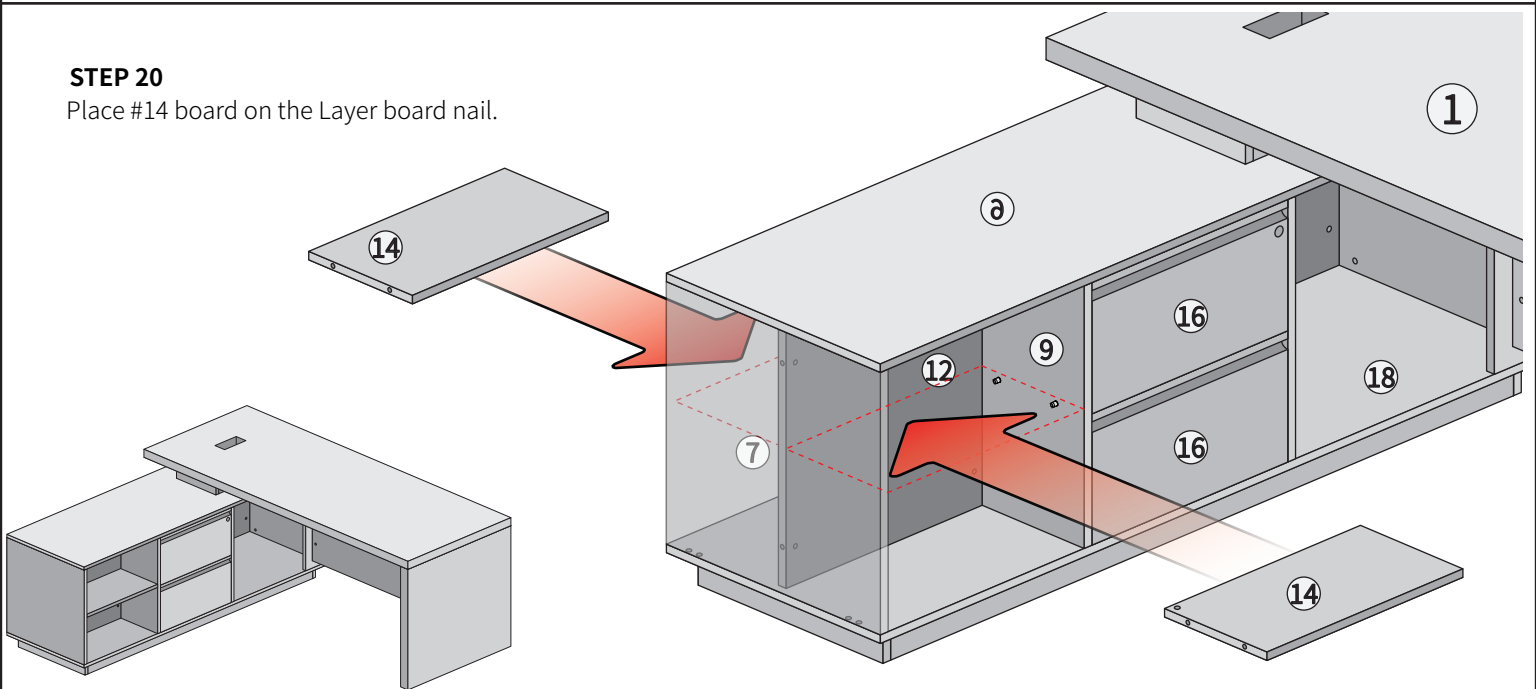
**STEP 19**

Install #F(Layer board nail) in the small holes on the inner walls of #9 board and #7 board.



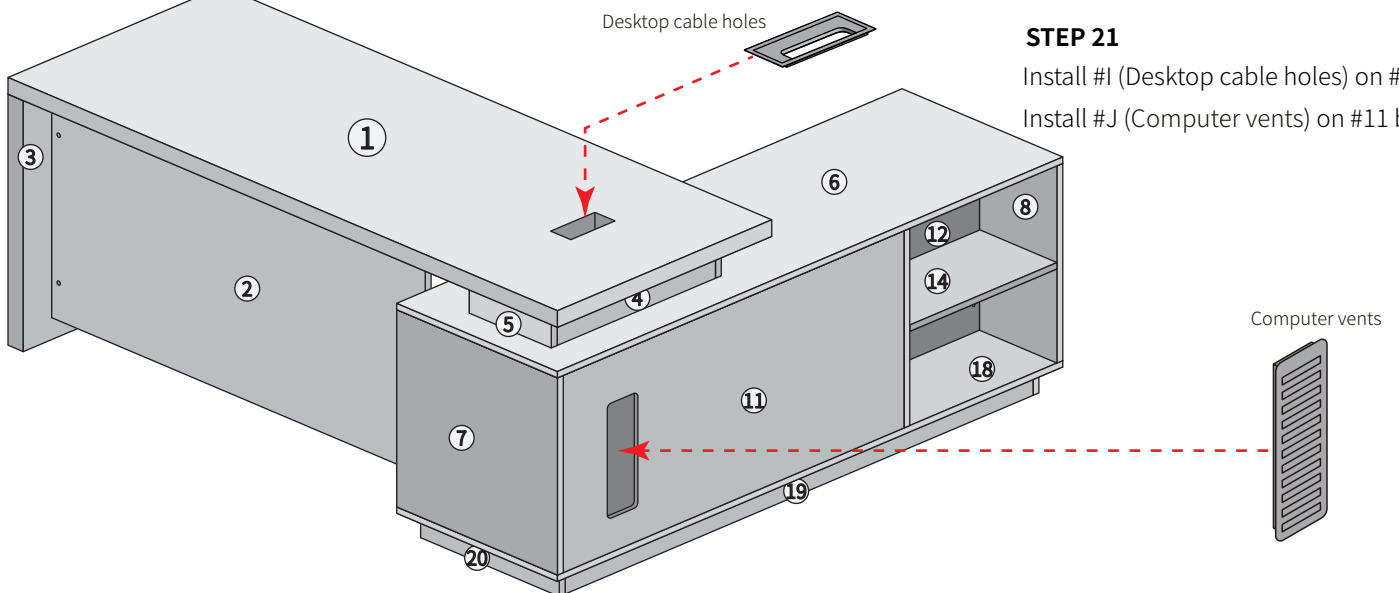
**STEP 20**

Place #14 board on the Layer board nail.



**STEP 21**

Install #I (Desktop cable holes) on #1 board  
Install #J (Computer vents) on #11 board



INSTALLATION COMPLETED

