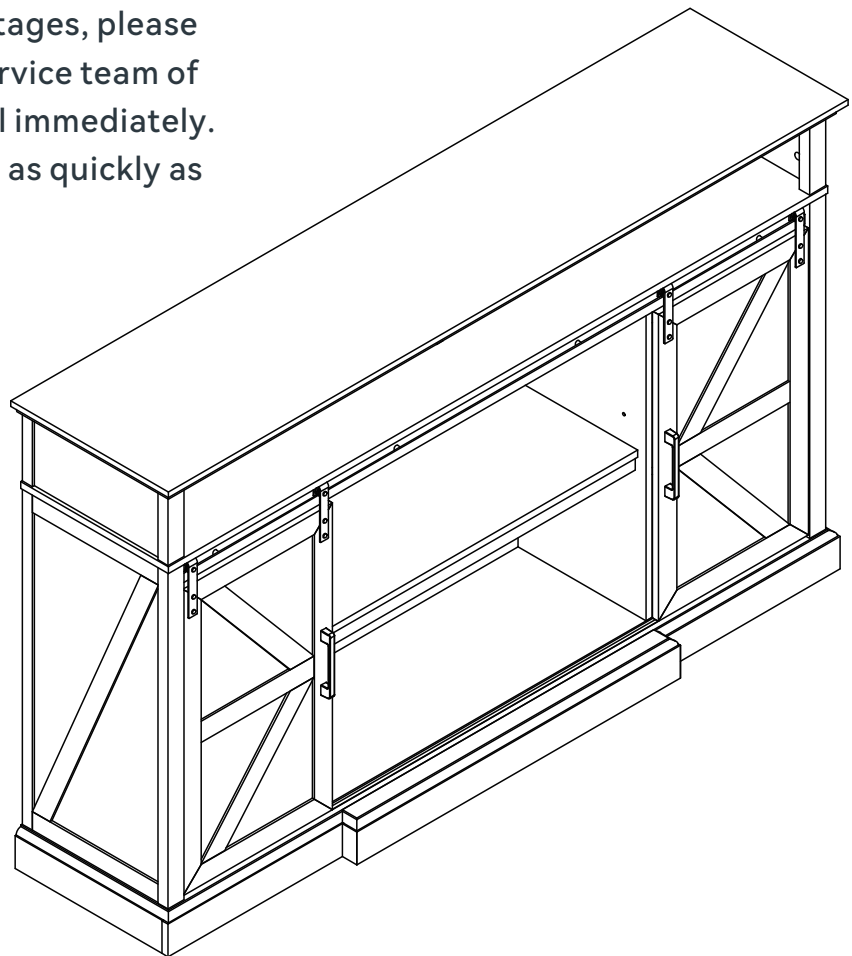


TV Stand

Assembly Instruction - Please keep properly for future reference.

If you find any missing boxes, damaged parts, or accessory shortages, please contact the customer service team of your purchasing channel immediately. We will resolve the issue as quickly as possible.



THE FOLLOWING INFORMATION:

- Order number
 - Purchase platform
 - Purchase date
 - Detailed description of the issue along with photos (if applicable)
-

EN

Important – Please read these instructions carefully before starting the installation.

Before Assembly



Thank you for choosing our product!

To ensure a smooth installation process, please read this guide carefully to familiarize yourself with the required tools, materials, and installation steps.

Follow the relevant sections to avoid any damage caused by improper installation, and make sure to review all operation and safety guidelines for correct installation procedures.

Packaging Notice:

If you find any missing boxes, damaged parts, or accessory shortages, please contact the customer service team of your purchasing channel immediately. We will resolve the issue as quickly as possible.

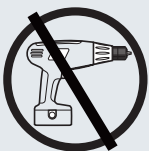
Safety and Care Advice



Important :

Please read these instructions fully before starting assembly.

- Check you have all the components and tools listed on the following pages.
- Remove all fittings from the plastic bags and separate them into their groups.
- Keep children and animals away from the work area, small parts could choke if swallowed.
- Make sure you have enough space to layout the parts before starting.
- During assembly do not stand or put weight on the product, this could cause damage.
- Assemble the item as close to its final position (in the same room) as possible.
- Assemble on a soft level surface to avoid damaging the unit or your floor.
- Parts of the assembly will be easier with 2 people.



- To reduce the likelihood of damaging your product please ensure that your power drill is set on a low torque setting.

Care and Maintenance

- Only clean using a damp cloth and mild detergent, do not use bleach or abrasive cleaners.
- From time to time check that there are no loose screws on this unit.
- This product should not be discarded with household waste. Take to your local authority waste disposal center.

Handy Hints

- Assemble all parts and bolts loosely during assembly, only once the product is complete should you fully tighten the bolts.
- Regularly check and ensure that all bolts and fittings are tightened properly.

Warning

In order to help prevent overturning, please follow these instructions.

- Use the anti tip strap or wall fixing method provided (if applicable).
- Do not allow children to climb or hang on the furniture.
- Do not open more than one drawer at a time.
- Do not place heavy items in the top drawers.
- Do not place heavy items on top of the furniture, unless the furniture has been designed for this purpose.
- Please note that only the anti tip strap is provided. You will need to provide wall plugs and screws applicable for your wall type.

Customer Service Guide



Thank you for choosing our product! We are committed to providing you with excellent service. If you find any missing parts, damaged packaging, or product damage after receiving all packages, please follow the steps below to quickly contact our customer service team. We will do our best to resolve your issue.

1. Missing Parts

Verify Parts:

1. Refer to the “Parts List” in the manual to verify the name, specifications, and quantity of the missing parts.
2. Take a clear photo of the parts list and mark the missing parts with detailed information, e.g., “Missing 5 pieces of M6×30mm screws.”

Contact Us:

By Email:

Send an email with the subject line “Missing Parts Issue.” Include the following information in the email:

- A description of the missing parts and a photo of the parts list.
- Order details (order number, purchase platform, purchase date).

2. Product or Packaging Damage

If it affects normal use:

Steps:

1. Take clear photos or videos showing the damaged parts and the extent of the damage (multi-angle shots are recommended).
2. Email the photos/videos along with order details to with the subject line “Product Damage Issue.”

Resolution:

After verification, we will arrange for a replacement part, product exchange, or refund as quickly as possible.

If it does not affect normal use:

Steps:

1. Contact our customer service team.
2. Provide a description of the damage and include relevant photos or videos.

Resolution:

We will provide repair guidance or an appropriate compensation plan based on the specific situation.

Helpful Tips

To process your issue efficiently, please prepare the following information:

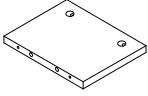
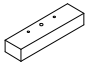
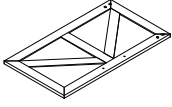
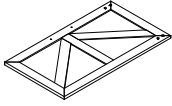
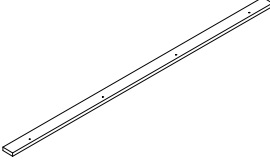
- Order details (order number, purchase platform, purchase date).
- Clear photos or videos.
- We are committed to providing quick and professional solutions, no matter the size of the issue, to ensure your satisfaction.

**Thank you for your trust and support!
We hope you enjoy using our product!**

Parts List

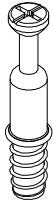



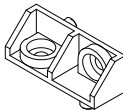

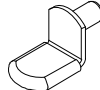

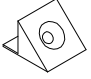

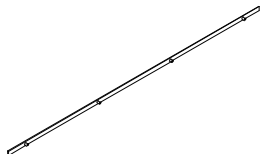
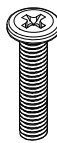


<p>1</p> <p>(1680*390*30mm) X1</p>	<p>2</p> <p>(1654*377*15mm) X1</p>	<p>3</p> <p>(720*336*16.5mm) X1</p>
<p>4</p> <p>(720*336*16.5mm) X1</p>	<p>5</p> <p>(1630*365*15mm) X1</p>	<p>6</p> <p>(720*335*15mm) X1</p>
<p>7</p> <p>(720*335*15mm) X1</p>	<p>8</p> <p>(378*310*12mm) X2</p>	<p>10</p> <p>(783*298*15mm) X1</p>
<p>11</p> <p>(782*30*15mm) X1</p>	<p>12</p> <p>(720*40*25mm) X2</p>	<p>13</p> <p>(797*363.5*3mm) X2</p>
<p>14</p> <p>(728*393.5*3mm) X2</p>	<p>15</p> <p>(1600*163*3mm) X1</p>	<p>16</p> <p>(1661*70*15mm) X1</p>
<p>17</p> <p>(364*70*15mm) X1</p>	<p>18</p> <p>(364*70*15mm) X1</p>	<p>19</p> <p>(1630*70*15mm) X1</p>
<p>20</p> <p>(800*87*36mm) X1</p>	<p>21</p> <p>(336*155*16.5mm) X1</p>	<p>22</p> <p>(336*155*16.5mm) X1</p>

<p>23</p>  <p>(196*155*15mm) X1</p>	<p>24</p>  <p>(155*40*25mm) X2</p>	<p>25</p>  <p>(657*370*15mm) X1</p>
<p>26</p>  <p>(657*370*15mm) X1</p>	<p>27</p>  <p>(1589*60*15mm) X1</p>	

Hardware List

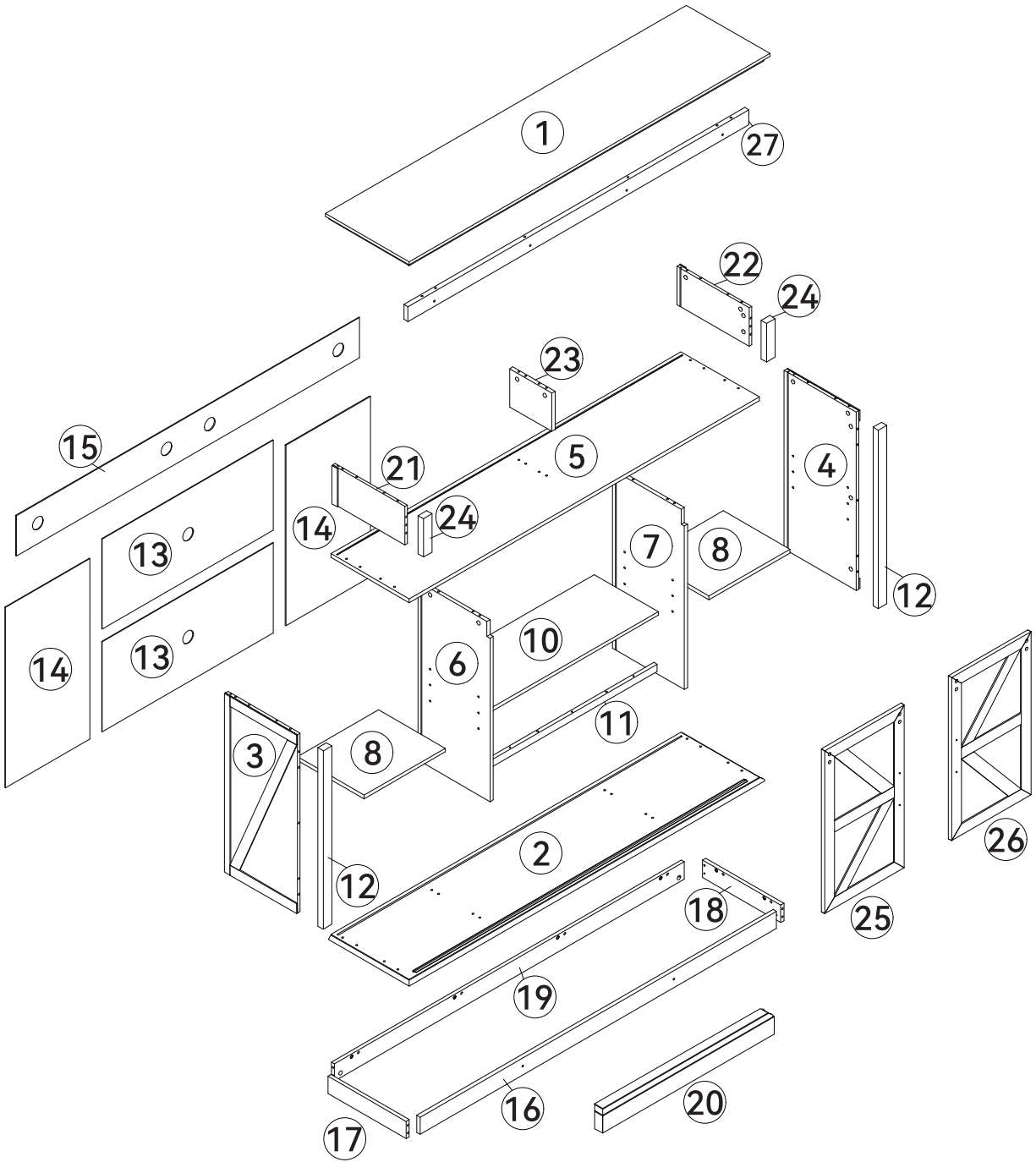


<p>A</p>  <p>Ø6X35 x(32+2)</p>	<p>B</p>  <p>Ø15X9.5 x(32+2)</p>	<p>C</p>  <p>Ø8X30 x(20+2)</p>
<p>D</p>  <p>Ø5X40 x(14+1)</p>	<p>E</p>  <p>x12</p>	<p>F</p>  <p>Ø6X12 x(32+2)</p>
<p>G</p>  <p>x(12+1)</p>	<p>H</p>  <p>Ø3X15 x(20+2)</p>	<p>I</p>  <p>x(20+2)</p>
<p>J</p>  <p>x4</p>	<p>K</p>  <p>x1</p>	<p>L</p>  <p>Ø1/4X25 x6</p>

Assembly Instructions

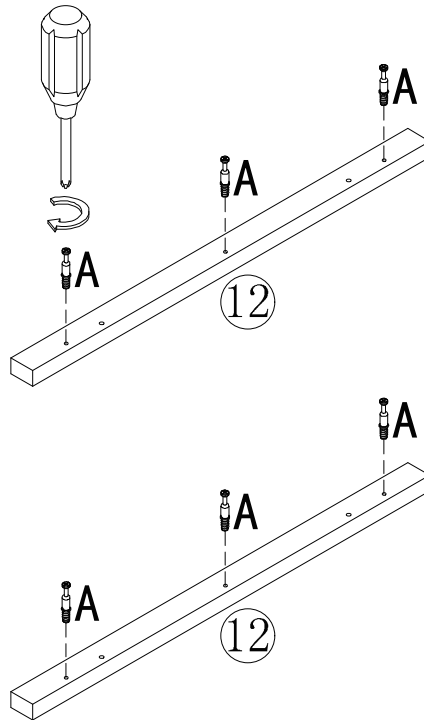


EN



Step 1

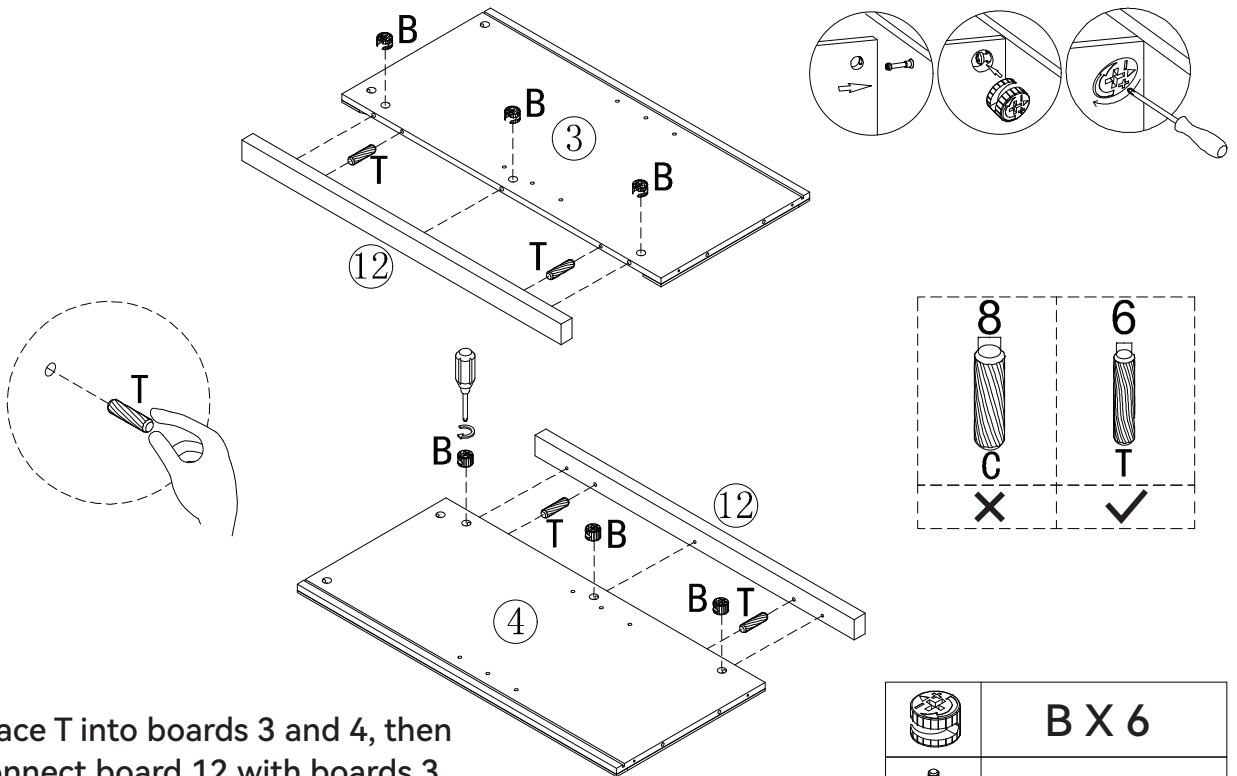
Lock A into board 12.





	A X 6
--	--------------

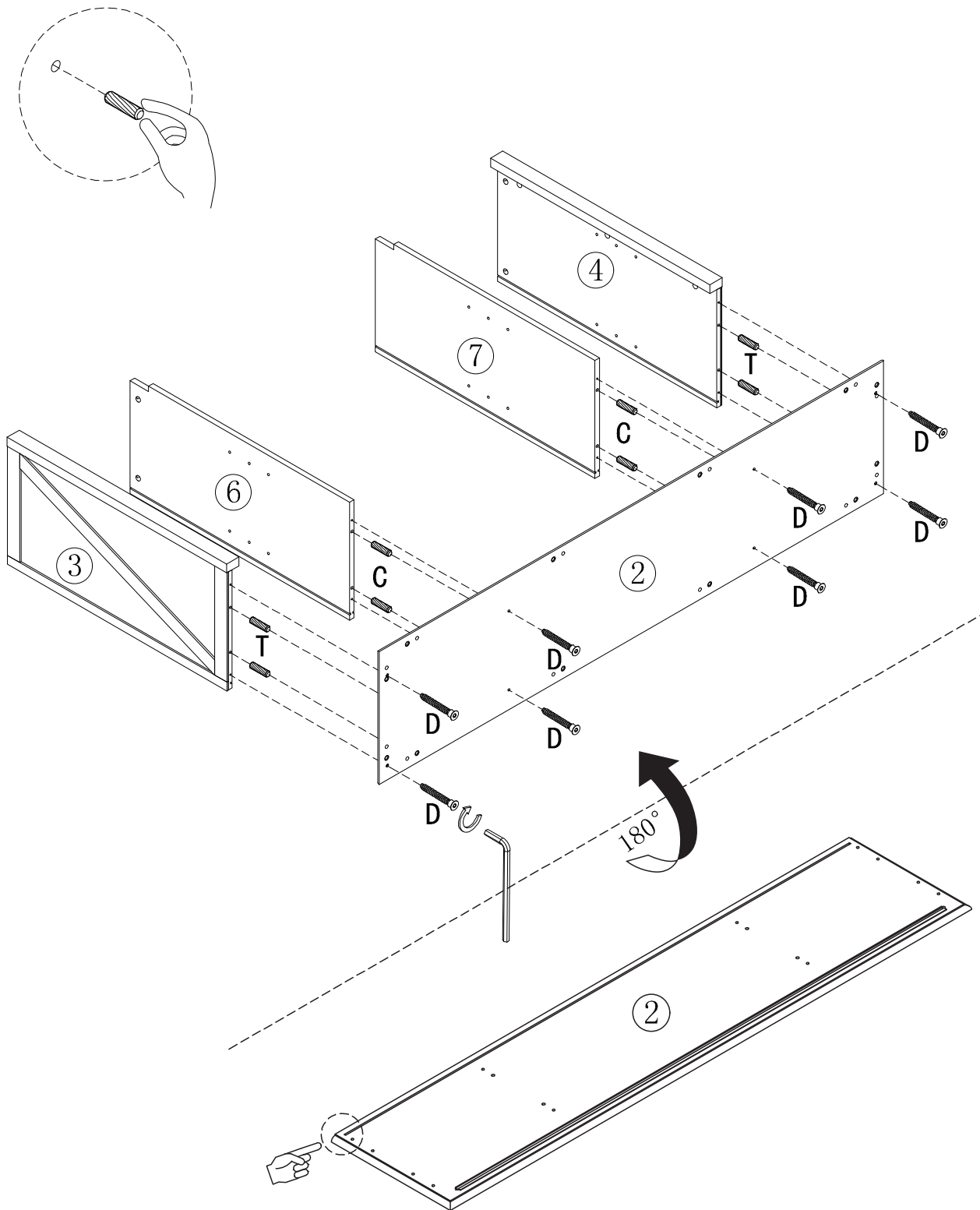
Step 2

Place T into boards 3 and 4, then connect board 12 with boards 3 and 4, followed by tightening B.






	B X 6
	T X 4

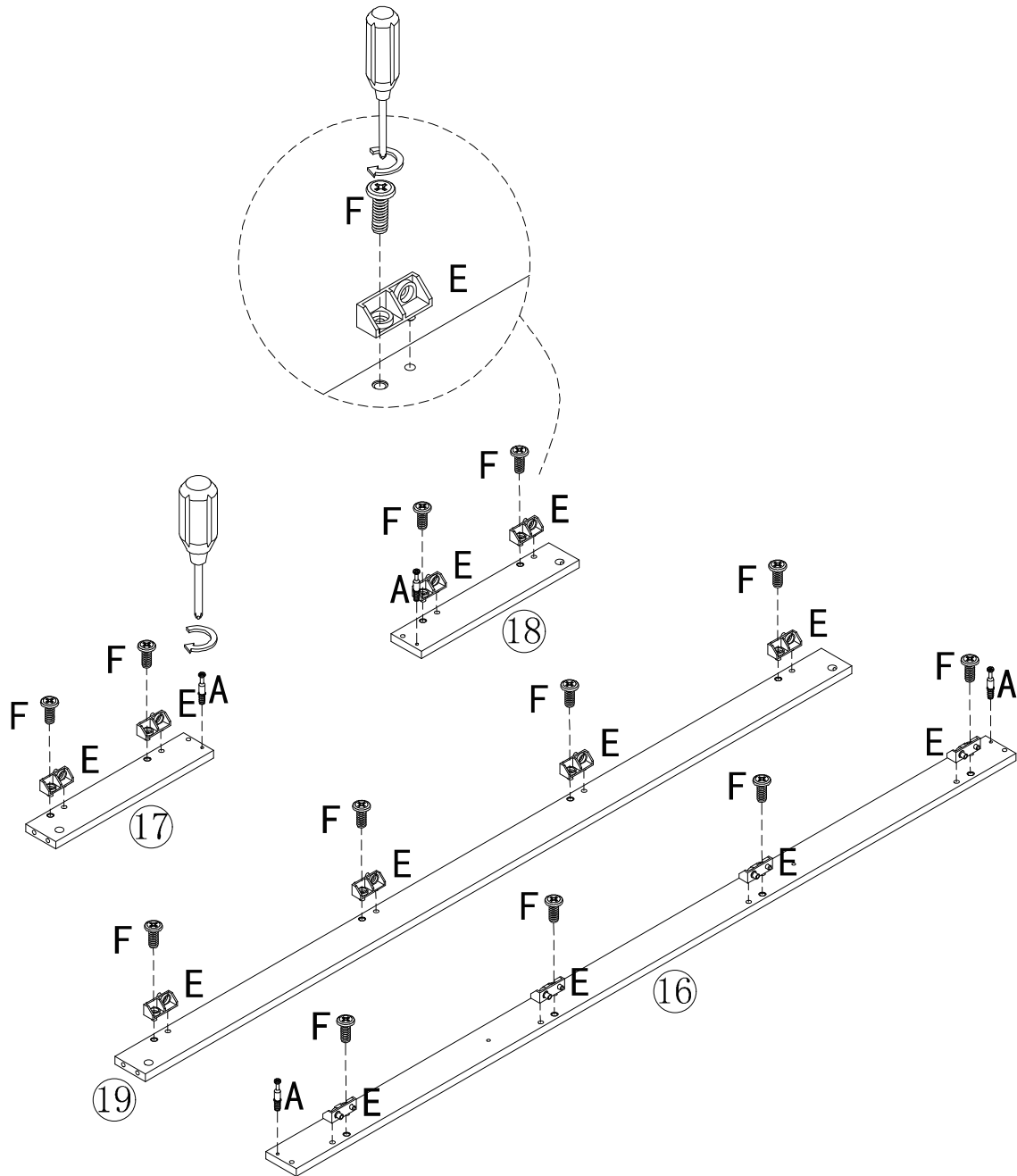
Step 3






Place C into boards 6 and 7, and T into boards 3 and 4, then place boards 3, 4, 6, and 7 onto board 2, followed by tightening with D.

	C X 4
	D X 8
	T X 4

Step 4



Place E into the holes of boards 16, 17, 18, and 19, then tighten with F. Lock A into boards 16, 17, and 18.

	AX 4
	EX 12
	FX 12

Step 5

Insert C into board 19, then connect boards 17 and 18 to board 19, followed by tightening B.

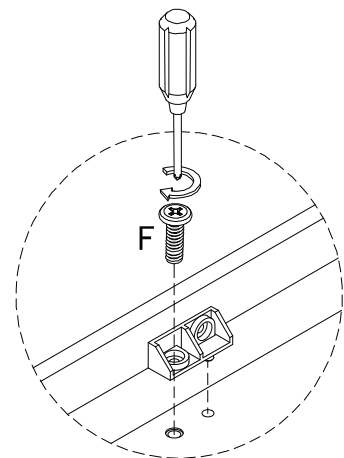
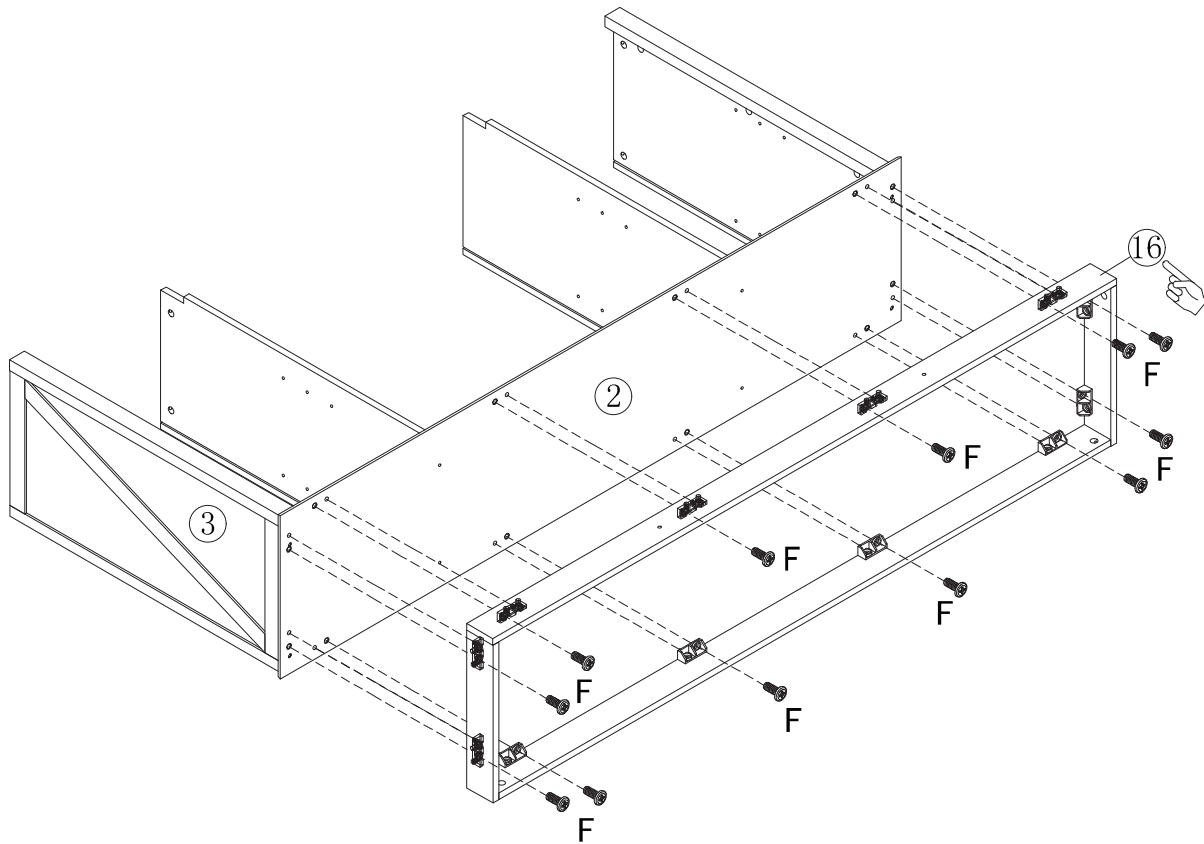
	B X 2
	C X 2

Step 6

Insert C into boards 17 and 18, connect to board 16, then tighten B.

	B X 2
	C X 2

Step 7

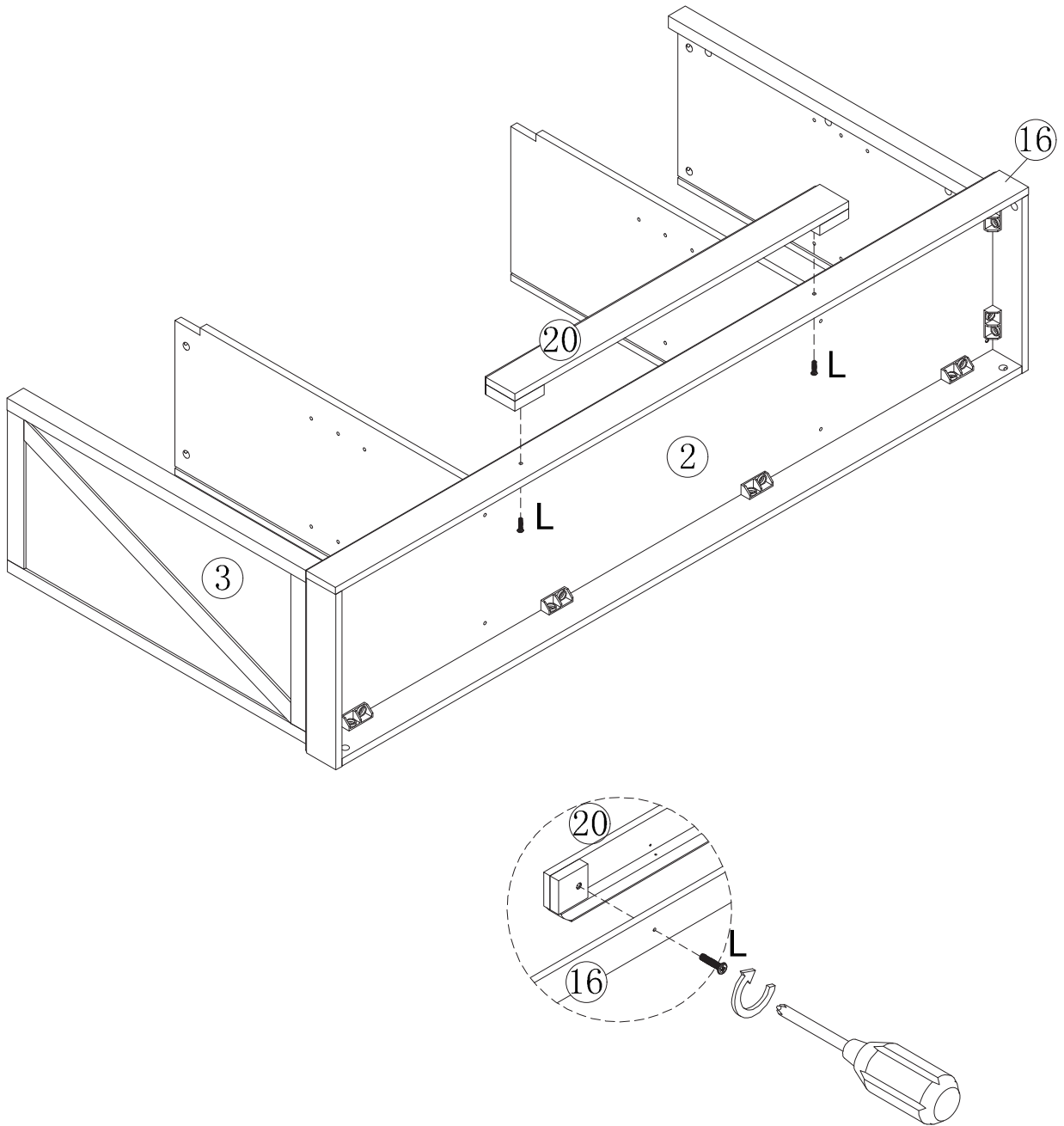


Connect the holes of boards 16, 17, 18, and 19 to hole 2, then tighten with F.

Note: Pay attention to the position of board 16.



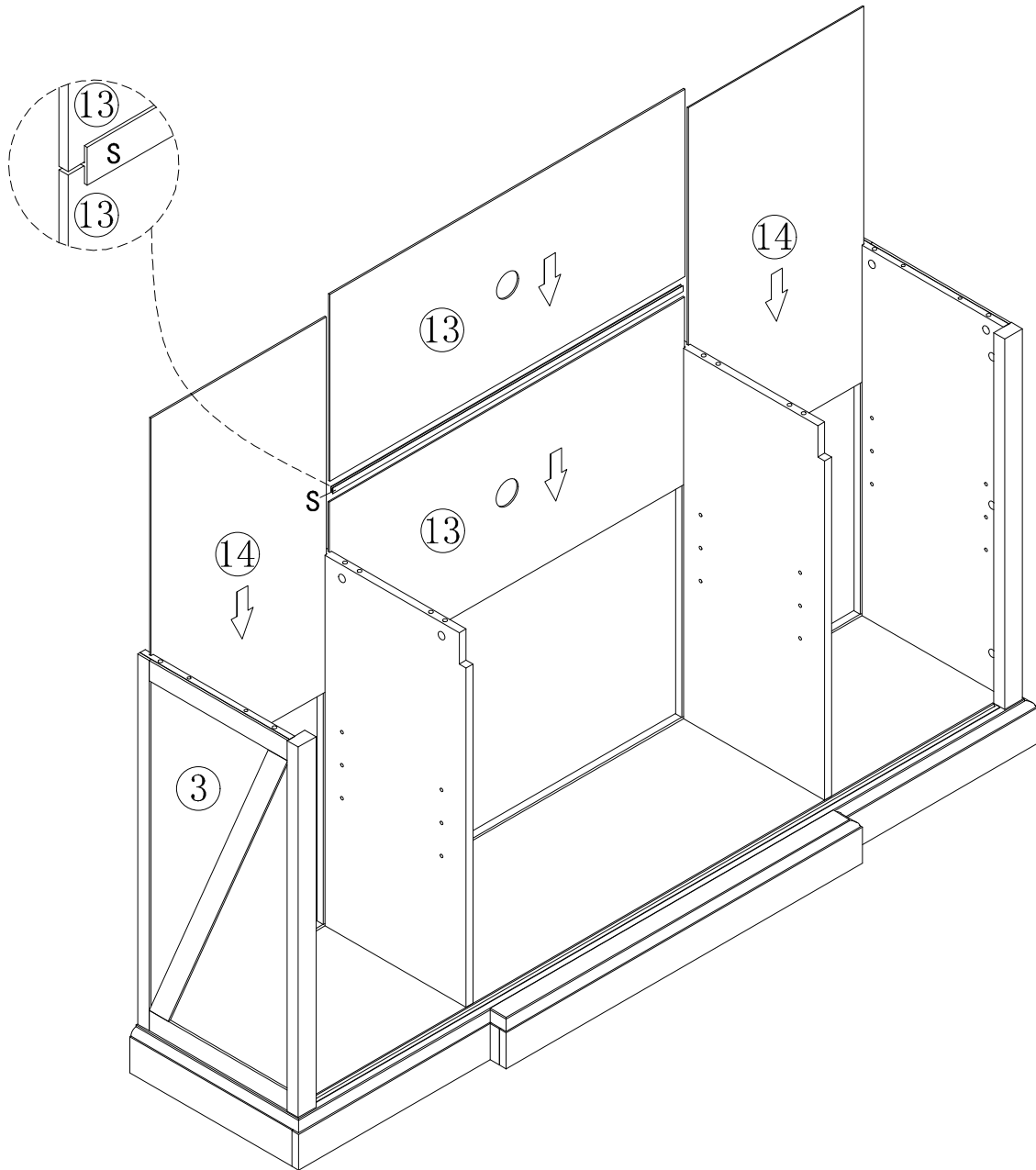
Step 8



Use L to lock board 20 with board 16.

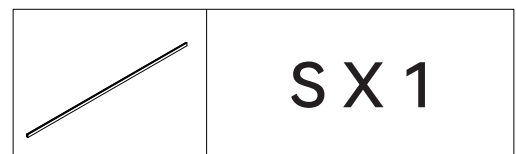


Step 9

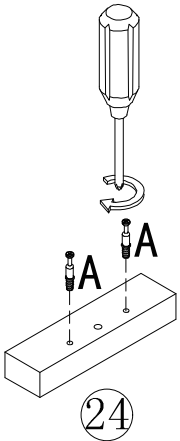


Insert boards 13 and 14 into their corresponding slots.

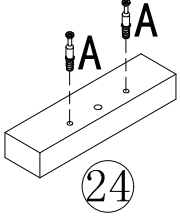
Note: Pay attention to the connection method between boards 13.



Step 10

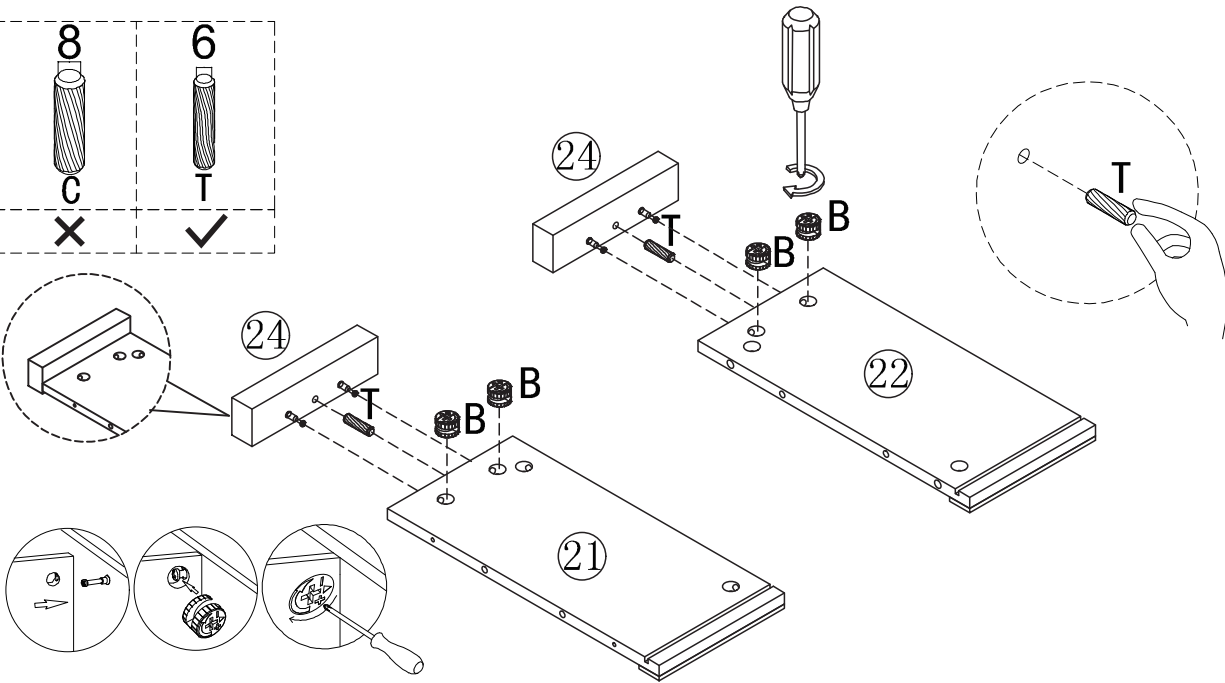
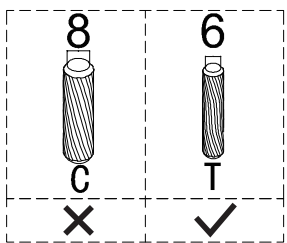


Lock A into board 24.





	A X 4
--	--------------

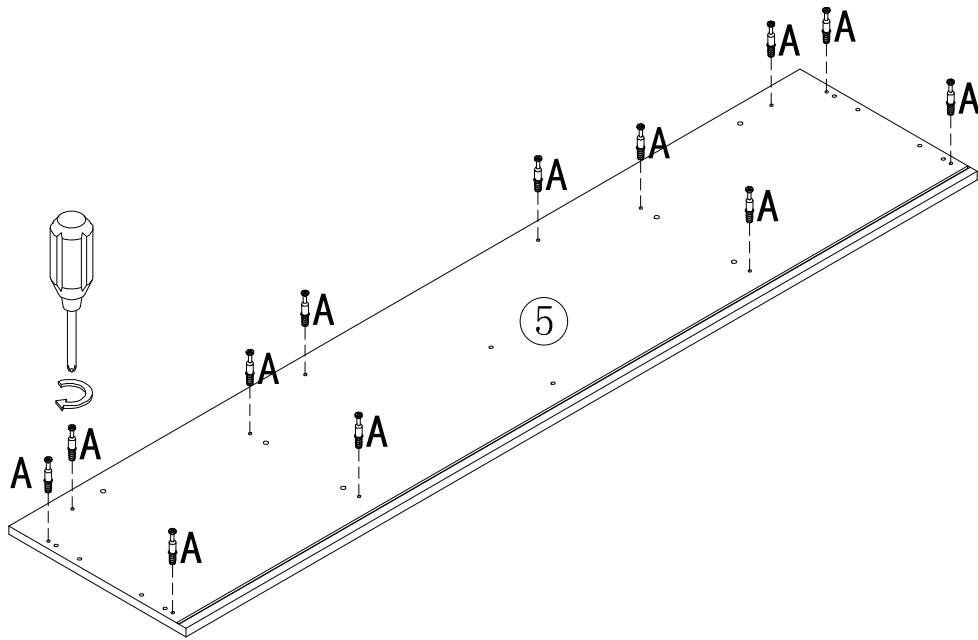
Step 11



Place T into boards 21 and 22, then place board 24 into position, followed by tightening with B.

	B X 4
	T X 2

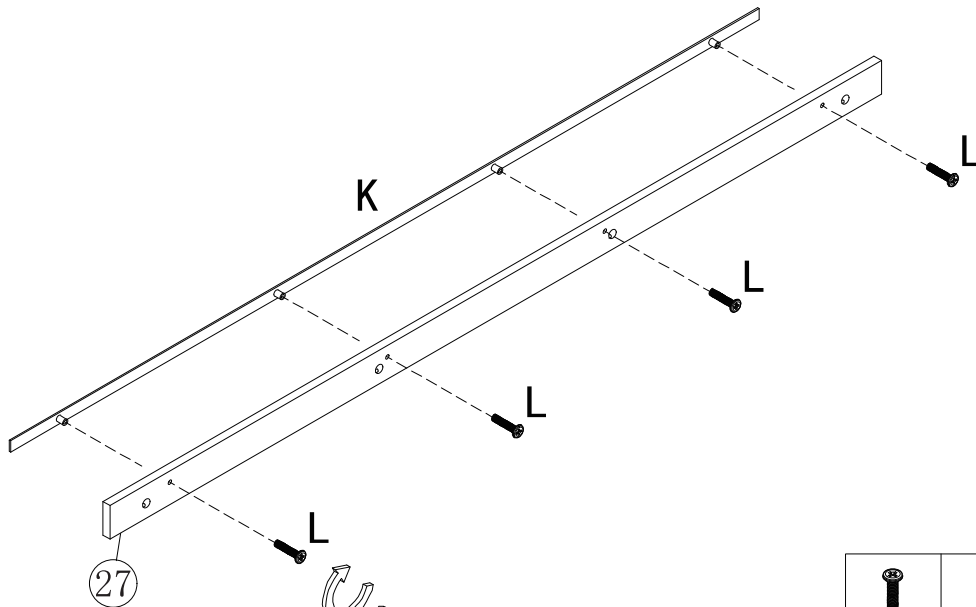
Step 12





Lock A into board 5.

	A X 12
--	--------

Step 13



Use L to lock K with board 27.

	L X 4
	K X 1

Step 14

Place C into board 5, then place board 27 in, followed by tightening with B.

	8	C	✓
	6	T	X

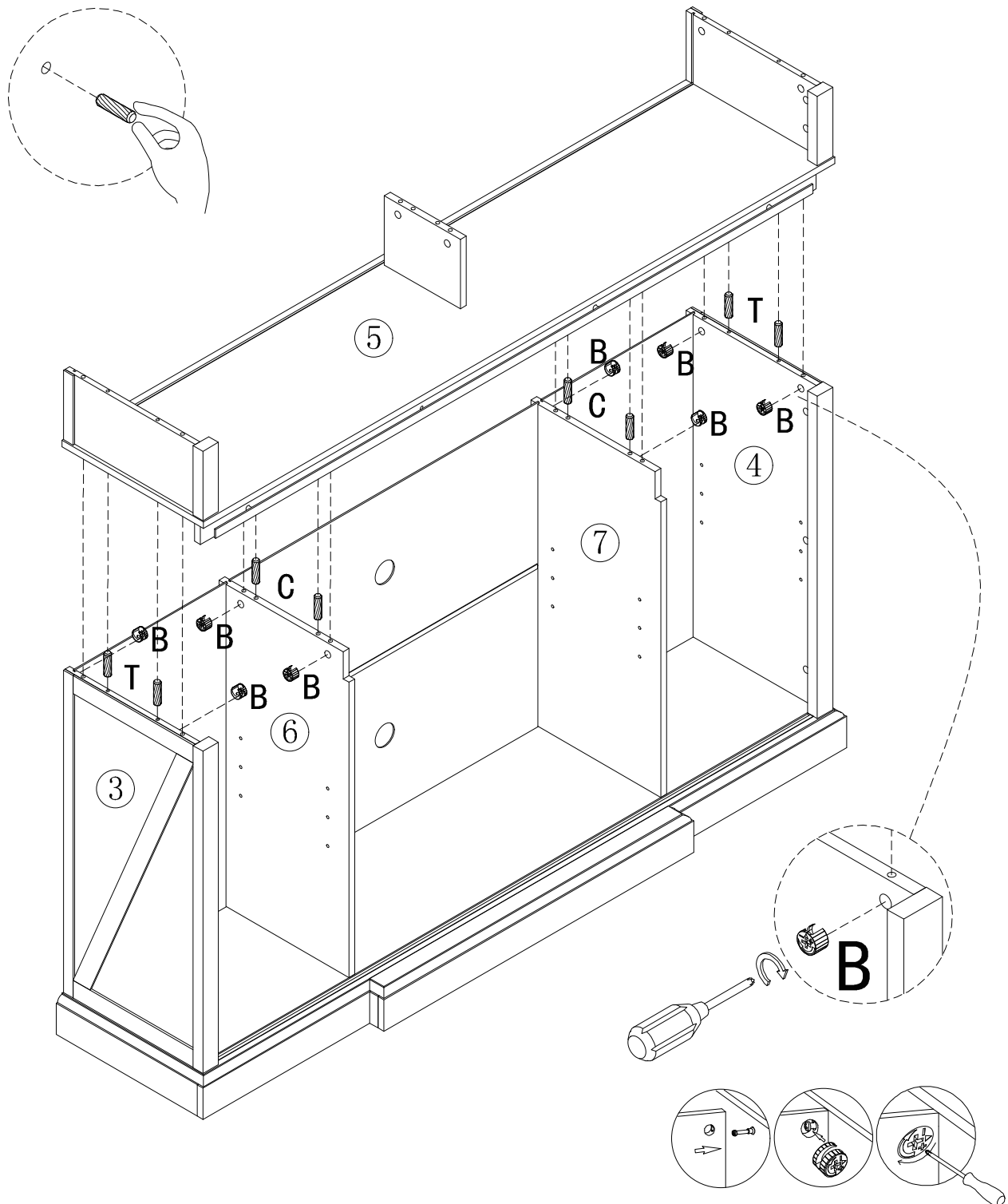
	B X 4
	C X 2

Step 15




Place T into boards 21 and 22, place C into board 23, and then use D to tighten boards 5, 21, 22, and 23.

	C X 2
	D X 6
	T X 4

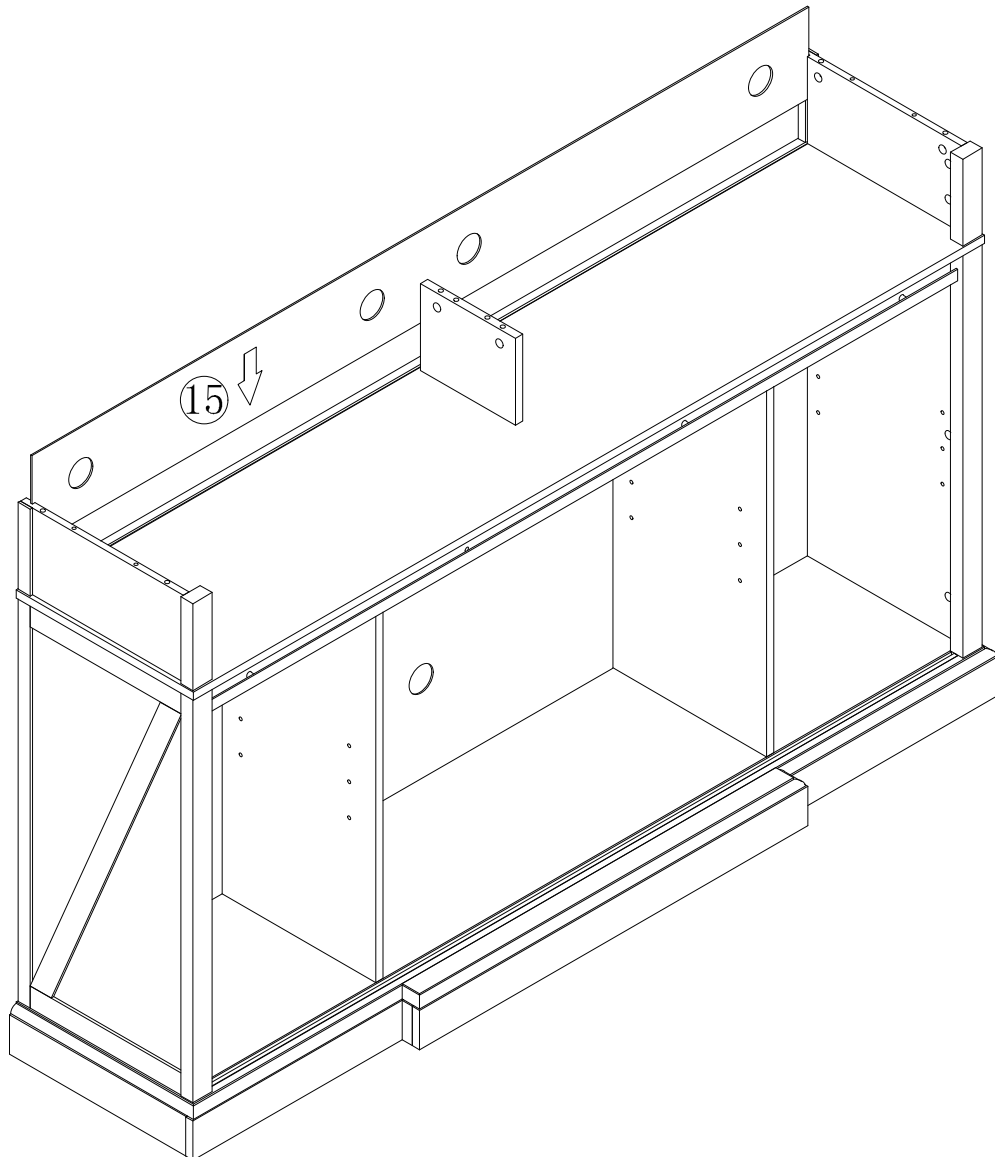
Step 16



Place T into boards 3 and 4, place C into boards 6 and 7, then place board 5 on top, followed by tightening with B.

	B X 8
	C X 4
	T X 4

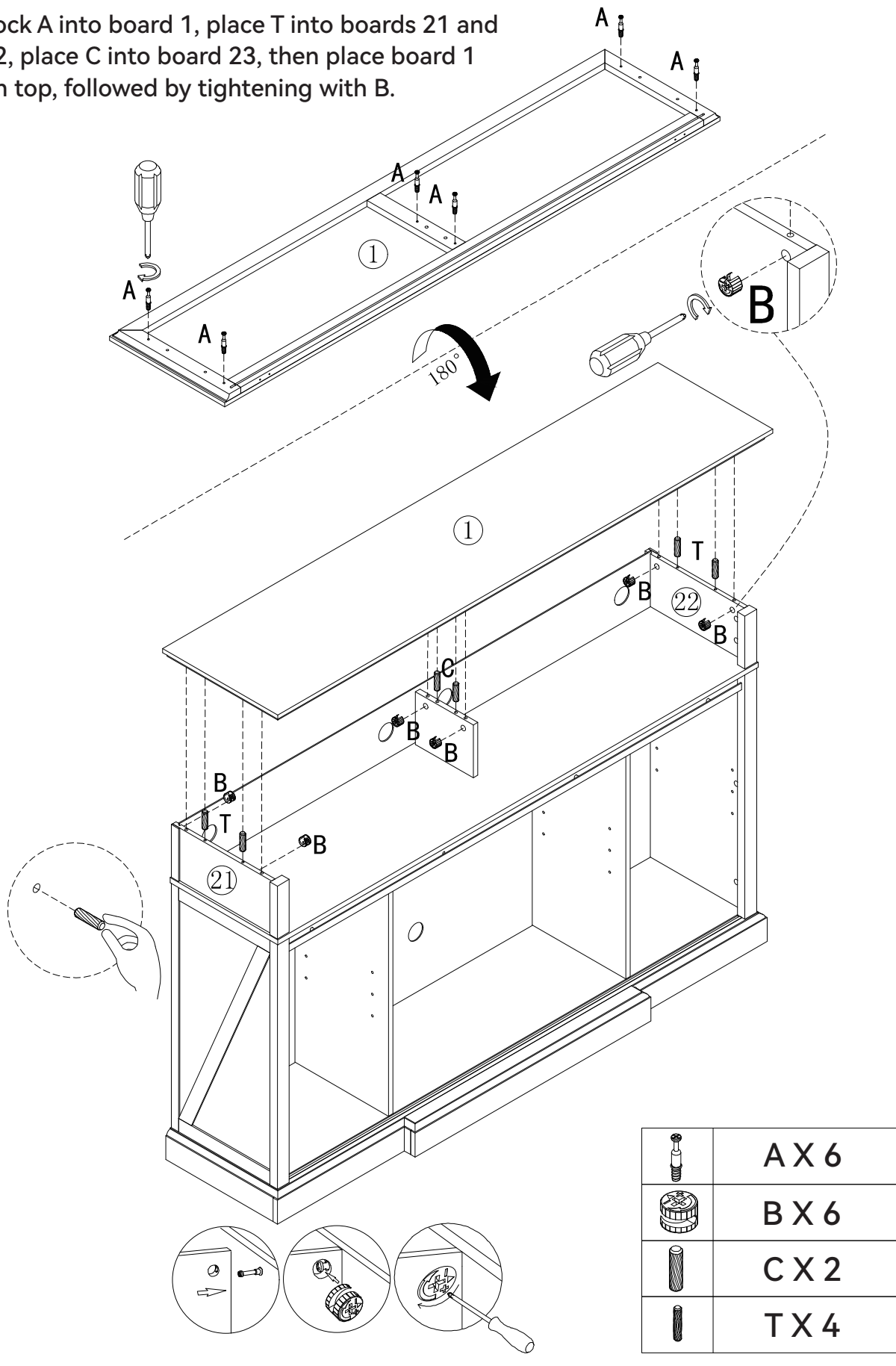
Step 17



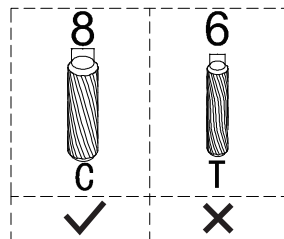
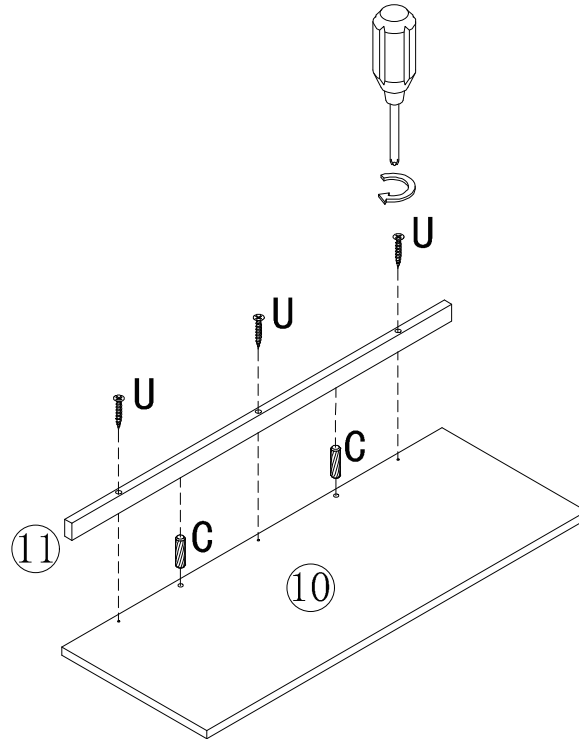
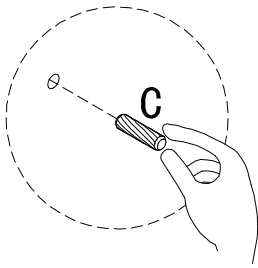
Place board 15 into the corresponding slot.

Step 18



Lock A into board 1, place T into boards 21 and 22, place C into board 23, then place board 1 on top, followed by tightening with B.



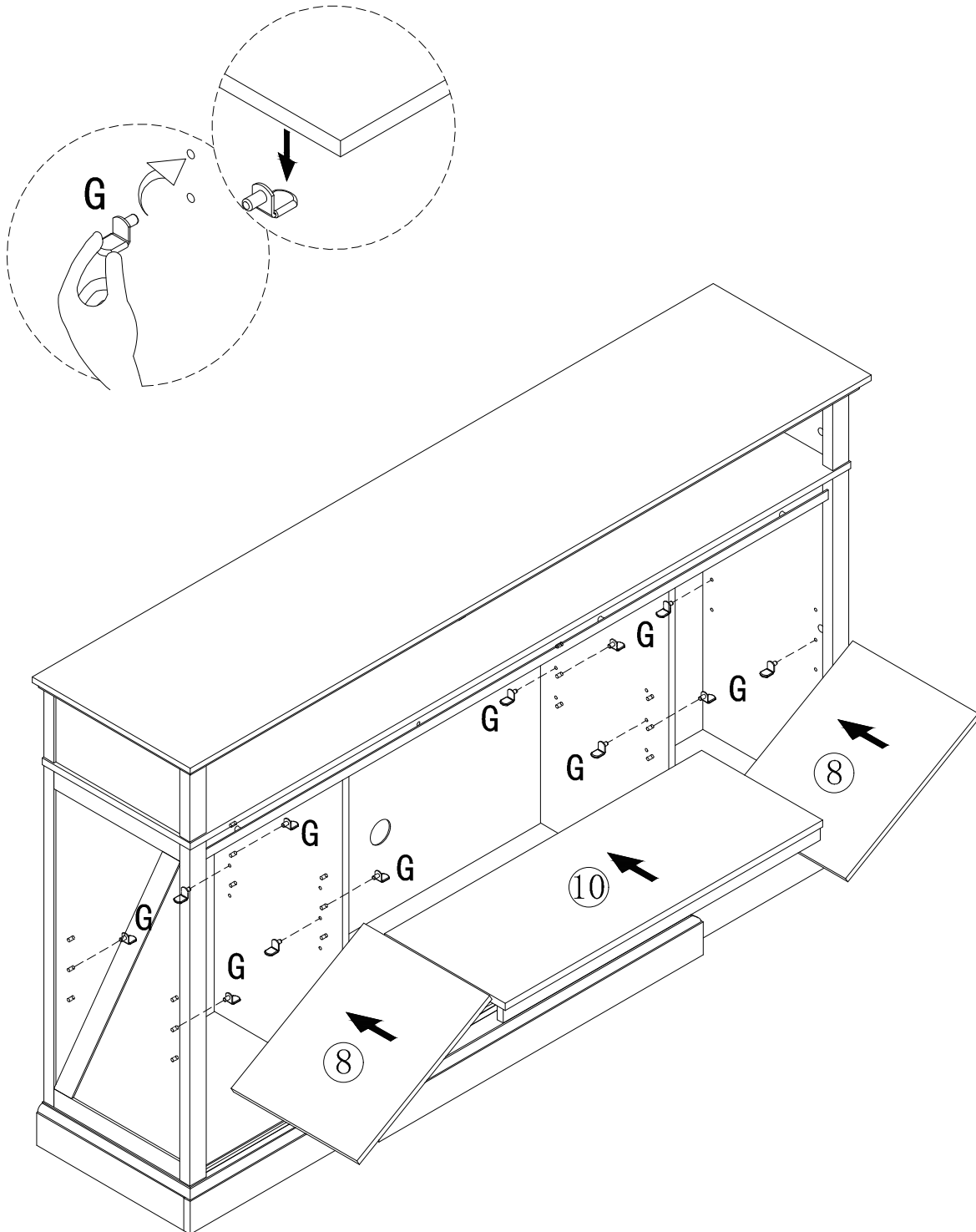
Step 19



Place C into board 10, then use U to lock board 11 with board 10.

	U X 3
	C X 2

Step 20



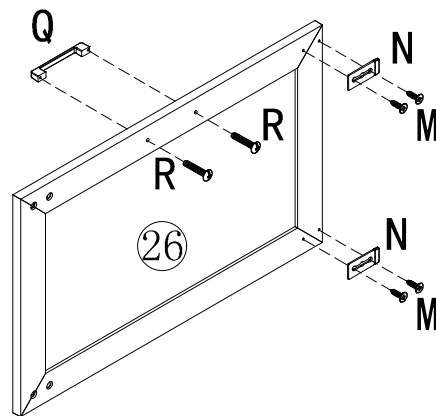
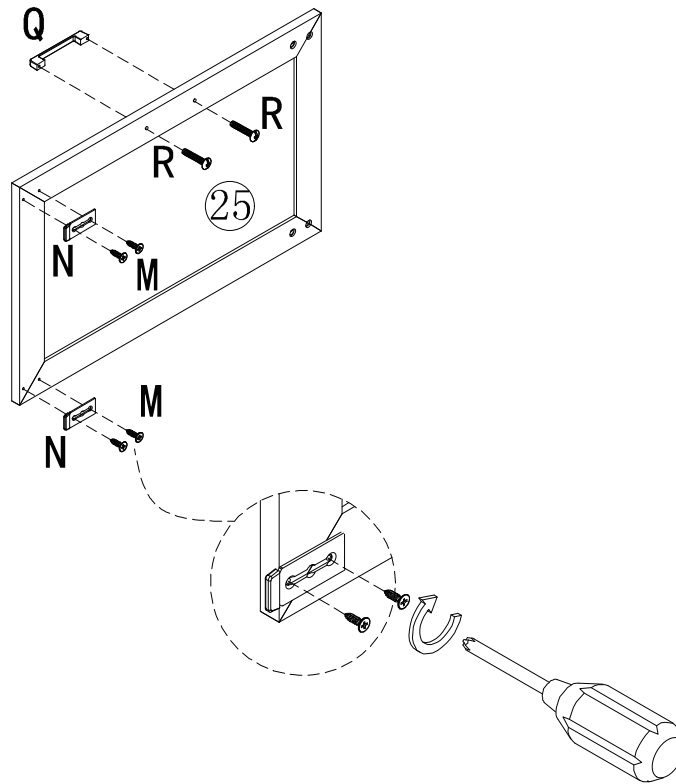
Place G into the corresponding hole, then place boards 8 and 10 on top of G.

Note: Pay attention to place board 8 sideways.




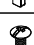


G X 12

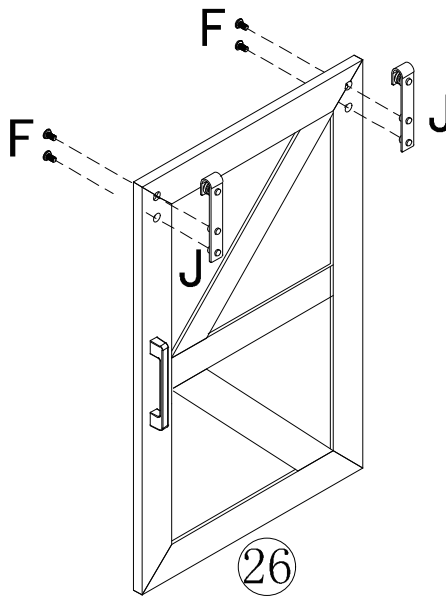
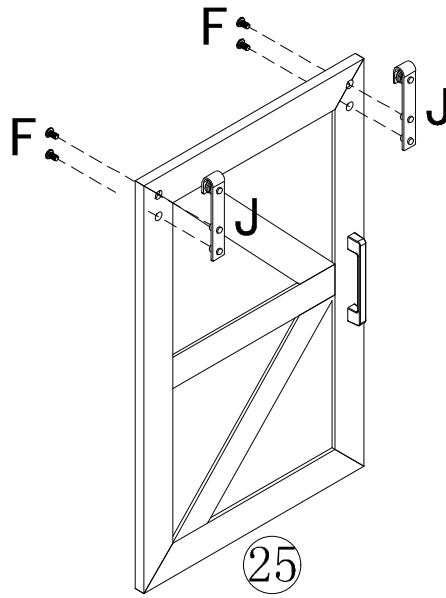
Step 21





Use R to fix Q onto boards 25 and 26,
and use M to fix N onto boards 25 and 26.

	M X 8
	N X 4
	Q X 2
	R X 4

Step 22

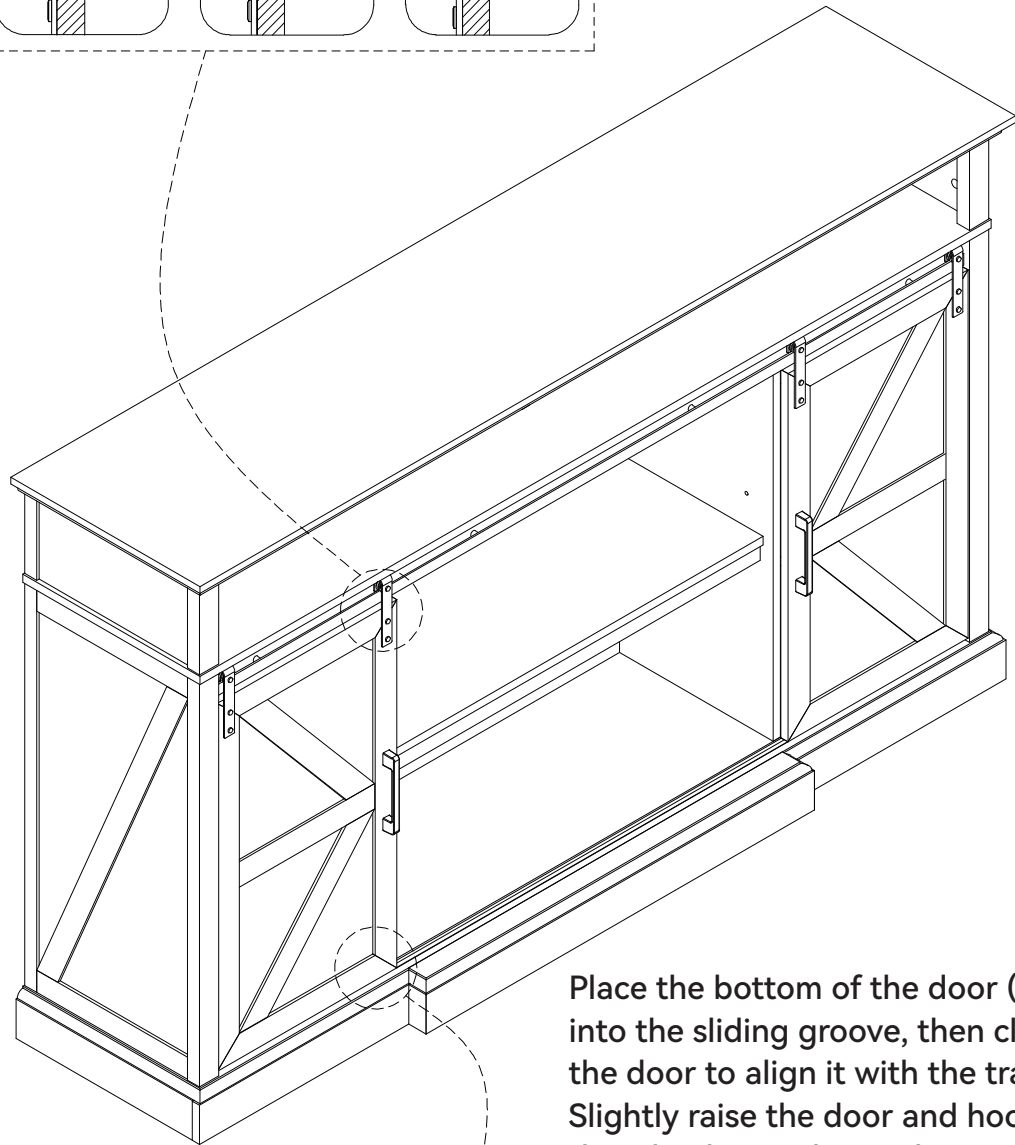
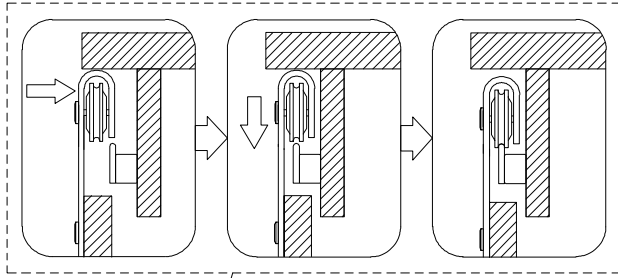


Use F to fix J onto boards 25 and 26.

	FX 8
	JX 4

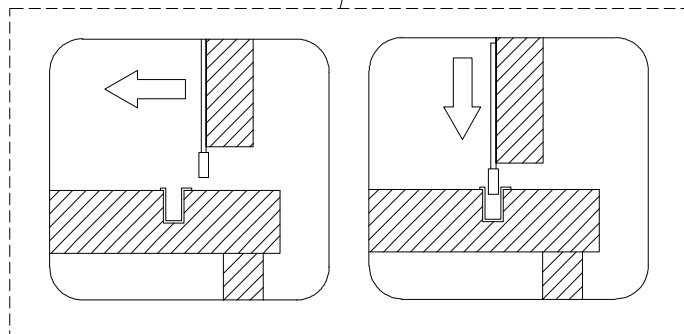
Step 23

Step 2

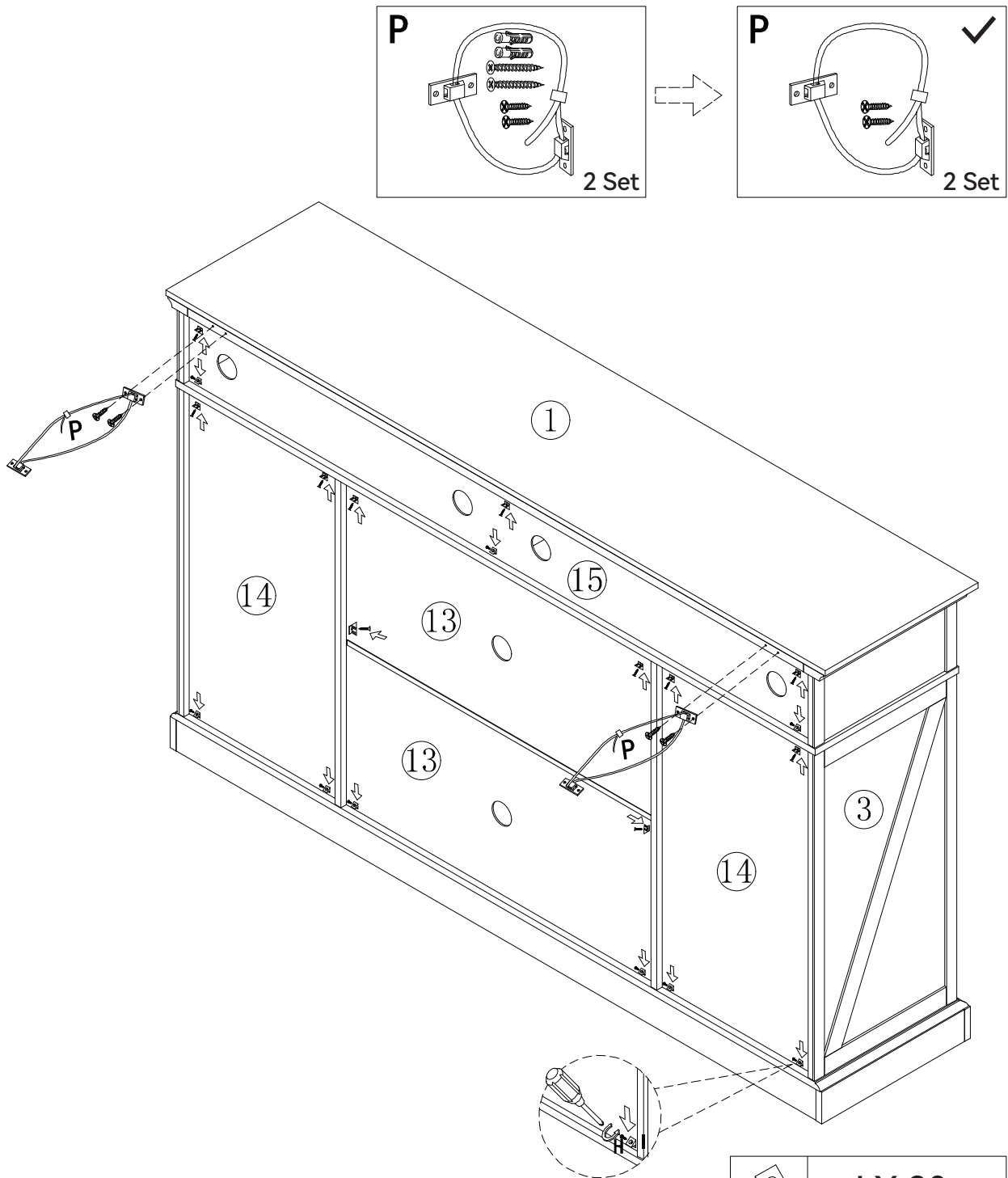


Place the bottom of the door (N) into the sliding groove, then close the door to align it with the track. Slightly raise the door and hook the wheel onto the track.

Step 1

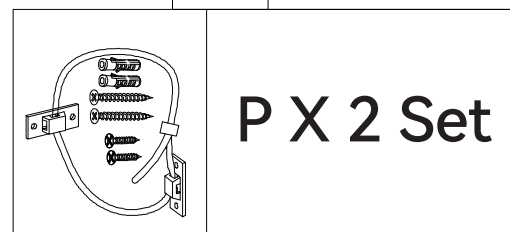


Step 24



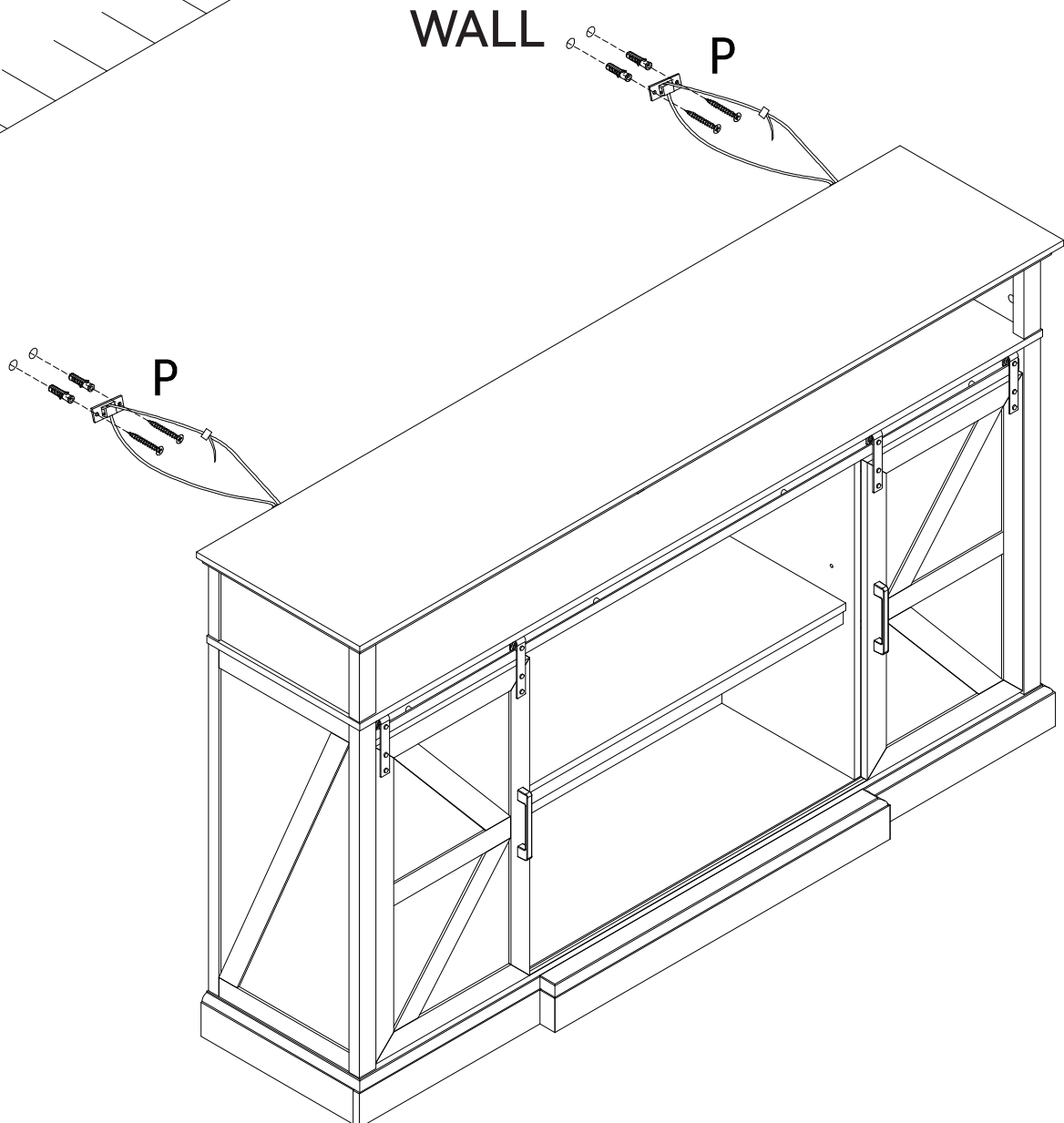
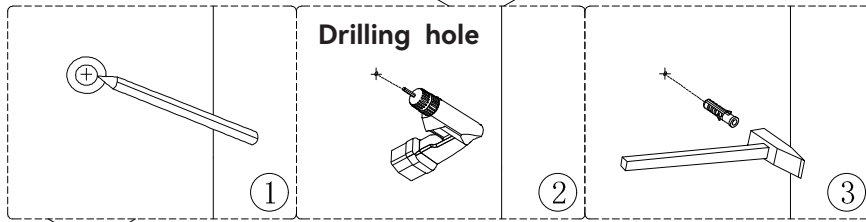
Lock P onto board 1, insert I into boards 13 and 14, and lock the throat of board 15 using H.

	I X 20
	H X 20



P X 2 Set

Step 25



Use P to secure the cabinet to the wall.

