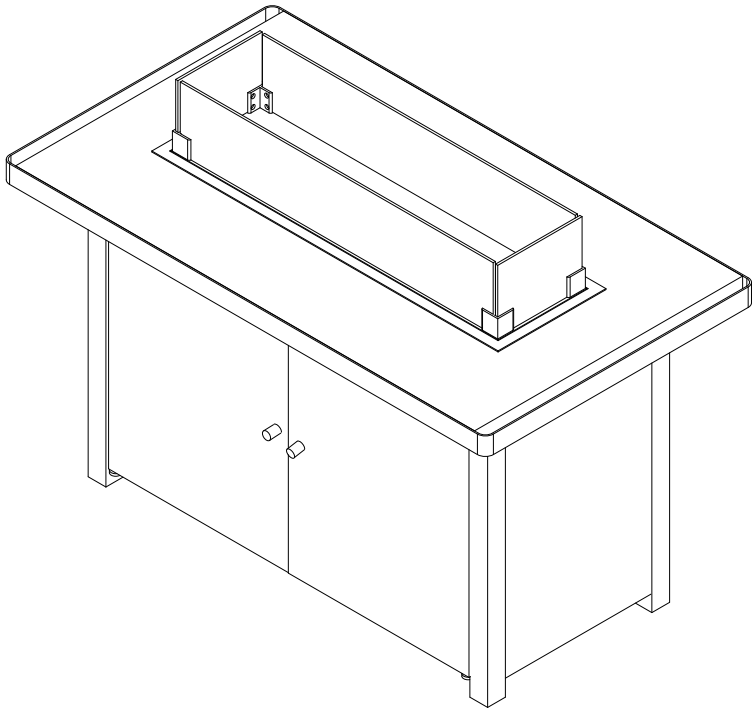


OUTDOOR PROPANE FIRE PIT TABLE



Warnings and Cautions

Read the instructions before use. This appliance must be installed in accordance with enforced regulations and the following instructions.

INSTALLERS

Leave this manual with the appliance.

DANGER

IF YOU SMELL GAS:

- Shut off gas to the appliance.
- Extinguish any open flame.
- If odor continues, keep away from the appliance and immediately call your gas supplier or fire department.

WARNING:

Never leave fire pit unattended when hot or in use. Keep out of reach of children.

WARNING:

Do not try to light this appliance without reading the "LIGHTING" instructions section of this manual.

Do not store or use gasoline or other flammable liquids or vapors in the vicinity of this or any other appliance. An LP cylinder not connected for use must not be stored in the vicinity of this or any other appliance. If the information in this manual is not followed exactly, a fire or explosion may result, causing property damage, personal injury or death.

CONSUMER

Retain this manual for future reference.

WARNING:

Improper installation, adjustment, alteration, service or maintenance can cause property damage, injury or death. Read the installation, operation and maintenance instructions thoroughly before installing or servicing this gas appliance.

WARNING:

FUELS USED IN LIQUEFIED PROPANE GAS APPLIANCES, AND THE PRODUCTS OF COMBUSTION OF SUCH FUELS, CAN EXPOSE YOU TO CHEMICALS INCLUDING BENZENE, WHICH IS KNOWN TO THE STATE OF CALIFORNIA TO CAUSE CANCER AND CAUSE BIRTH DEFECTS OR OTHER REPRODUCTIVE HARM.

DANGER

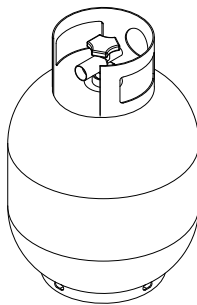


CARBON MONOXIDE HAZARD

This appliance can produce carbon monoxide which has no odor. Using it in an enclosed space can kill you. Never use this appliance in an enclosed space such as a camper, tent, car or home.

Safety Information

- You must provide propane gas and propane cylinder. Use a standard 20 lb. propane cylinder only.
- Use this appliance only with a propane vapor withdrawal supply system. See Storage page for Storage and Handling of Liquefied Petroleum Gas, ANSI/NFPA 58. Your local library or fire department should have this book.
- The pressure regulator and hose assembly supplied with the appliance must be used.
- The installation must conform with local codes, or in absence of local codes, with National Fuel Gas Code, ANSI Z223.1.
- A dented, rusted or damaged propane cylinder may be hazardous and should be checked by your cylinder supplier. Never use a propane cylinder with a damaged valve connection.
- The LP-gas supply cylinder must be constructed and marked in accordance with the U.S. Department of Transportation (D.O.T) Specifications for LP-Gas Cylinders, or the standard for Cylinders, Spheres and Tubes for Transportation of Dangerous Good and Commission, CAN/CSA-B339, as applicable.
- The LP-gas supply cylinder must be provided with a cylinder connection device compatible with the connection for the appliance.
- The cylinder used must include a collar to protect the cylinder valve.
- The LP-gas supply cylinder must be provided with a listed overfill protection device (OPD).
- Do not store a spare LP Gas cylinder under or near this appliance.
- Never fill the cylinder beyond 80 percent full.
- For appliances designed to use a CGA No.791 QCC connection.
- Place the dust cap on the cylinder valve outlet whenever the cylinder is not in use.
- Other types of caps or plugs may result in leakage of propane.
- Note: Gas supply pressure: 25 to 250 PSI.



Standard 20 lb tank



Safety Information


WARNING

- The appliance is not for use with solid fuel.
- The installation must conform with local codes or, in the absence of local codes, with the National Fuel Gas Code, ANSI Z223. 1/ NFPA 54, NFPA58 Natural Gas and Propane Installation Code, CA B149.1, or Propane Storage and Handling CODE, B149.2.
- The appliance, when installed, must be electrically grounded in accordance with local codes or, in the absence of local codes, with the National Electrical Code, ANSI/ NFPA 70, or the Canadian Electrical Code, CSA C22.1.
- Prior to use, check for damaged parts such as hose, regulators, pilot or burner.
- Inspect the fuel supply connection for signs of leakage (including the hose for LP models) before each use of the appliance.
- All leak tests should be done with a soapy solution. NEVER USE AN OPEN FLAME TO CHECK FOR LEAKAGE.
- Children and adults should be alerted to the hazards of high surface temperatures and should stay away to avoid burns or clothing ignition.
- Young children should be carefully supervised when they are in the area of the appliance.
- Clothing or other flammable materials should not be hung from the appliance, or placed on or near the appliance.
- Any guard or other protective device removed for servicing the appliance must be replaced prior to operating the appliance.
- Installation and repair should be done by a qualified service person. The appliance should be inspected before use and at least annually by a qualified service person.
- More frequent cleaning may be required as necessary. It is imperative that control compartment, burners and circulating air passageways of the appliance be kept clean.
- Keep the appliance area clear and free from combustible materials, gasoline and other flammable vapors and liquids.
- DO NOT OBSTRUCT the flow of combustion and ventilation air.
- Keep the ventilation opening(s) of the cylinder enclosure free and clear from debris.
- The appliance shall be used only in a well-ventilated space and shall not be used in a building, garage or any other enclosed area.
- An appliance may be installed with shelter no more inclusive than: With walls on all sides, but with no overhead cover.
- Within a partial enclosure which includes an overhead cover and no more than two side walls. These side walls may be parallel, as in a breezeway, or at right angles to each other.



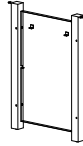
Component List

Before beginning assembly of product, make sure all parts are present.
 Compare parts with package contents list and hardware contents list.
 If any parts are missing or damaged, do not attempt to assemble the product.

 ESTIMATED ASSEMBLY TIME: 90 MINUTES



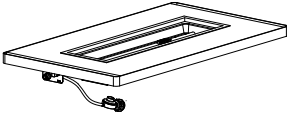
A x 1



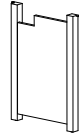
E x 1



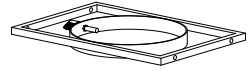
J x 1



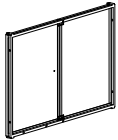
B x 1



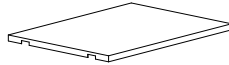
F x 1



K x 1



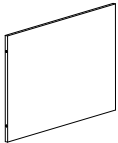
C x 1



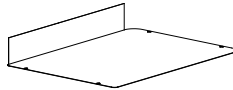
G x 2



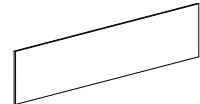
L x 2



D x 1



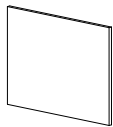
H x 1



M x 2



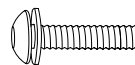
Component List



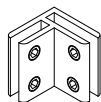
N x 2



R x 1



CC x 8
(M6 X 25/Ø 12 X 1.6)



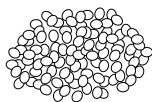
P x 4



AA x 2 (M4 X 5)



DD x 1



Q x 1

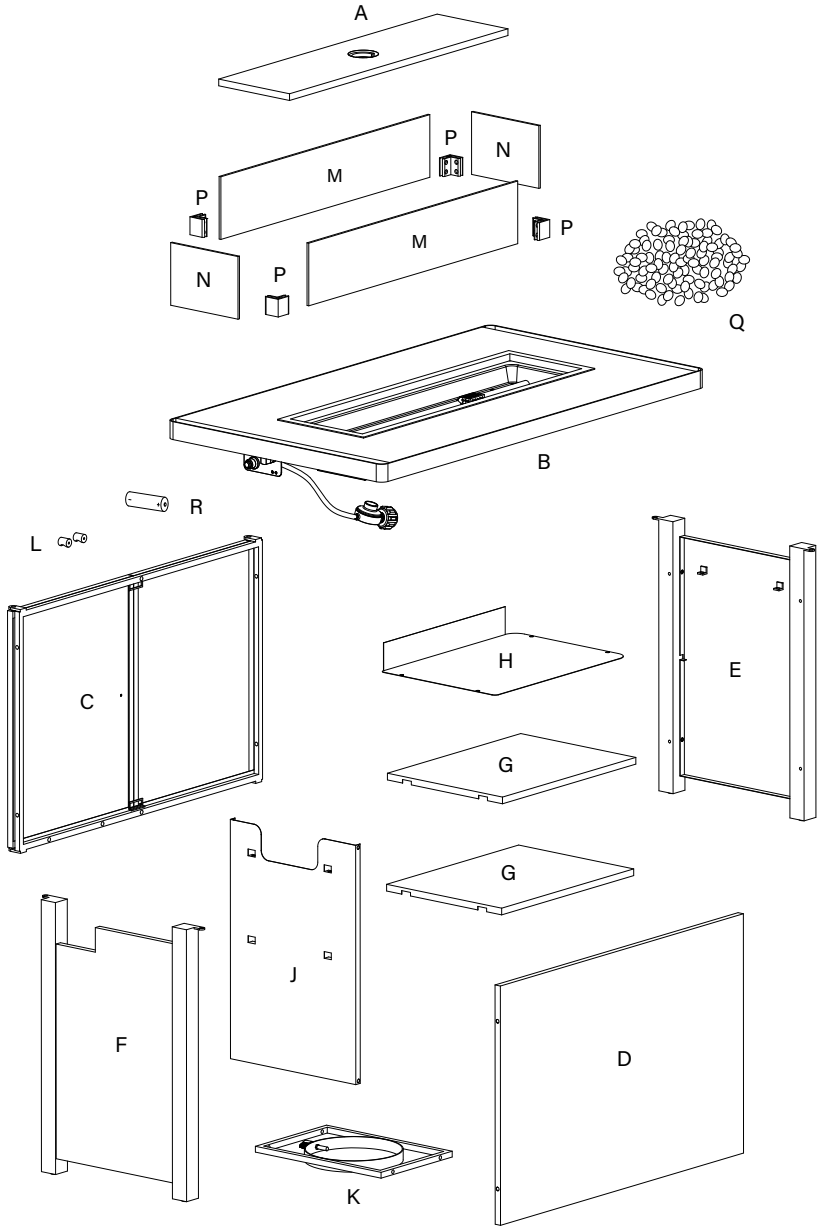


BB x 16
(M6 X 15/Ø 12 X 1.6)

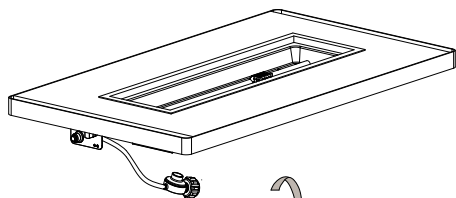
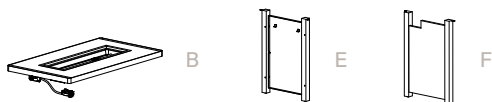
DO NOT FULLY TIGHTEN ALL SCREWS UNTIL ASSEMBLY PROCESS IS COMPLETE.



Parts



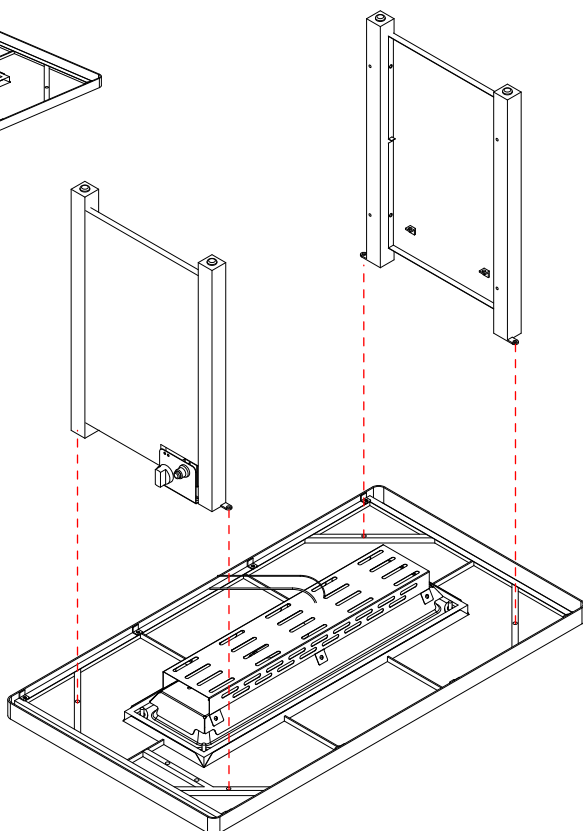
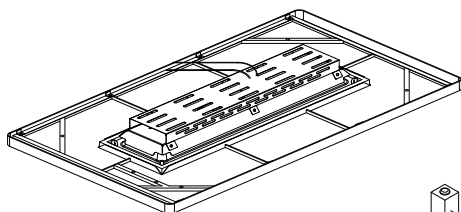
Assembly Steps

1.1

Turn over the Part B

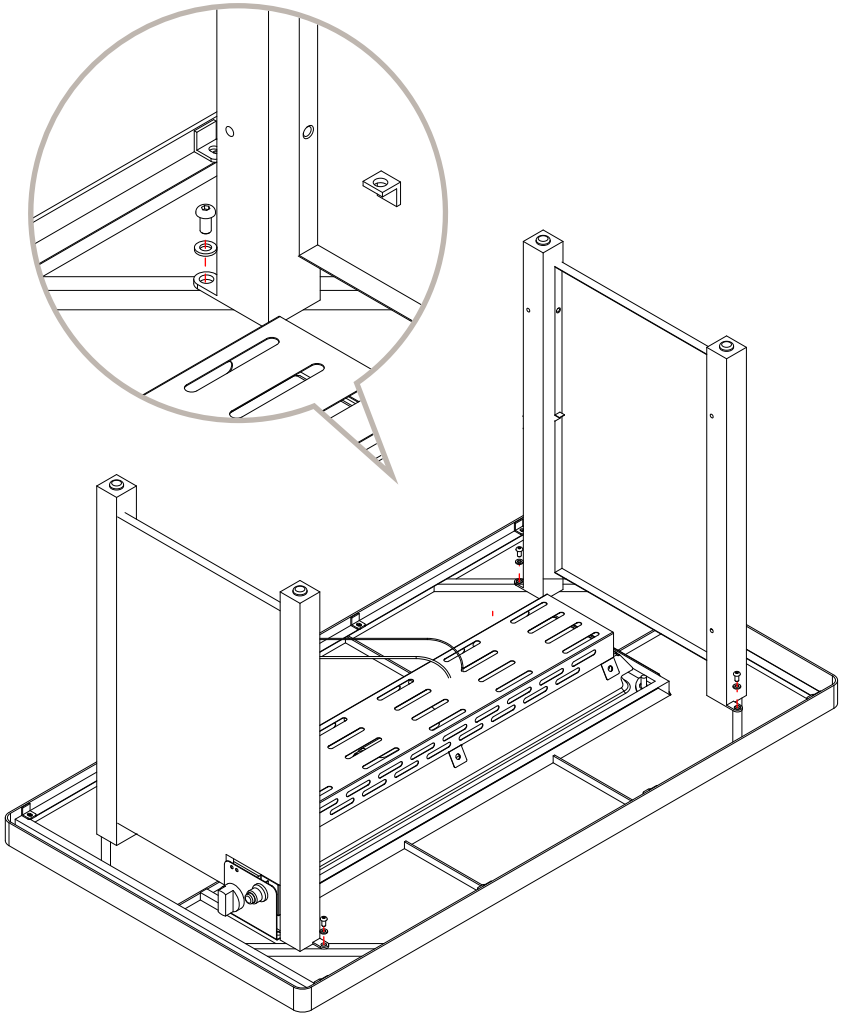


PLEASE DO ENSURE the contro knob for the gas supply system is turned to "OFF" position.

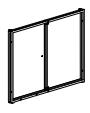




M6 X 15/ø 12 X 1.6 BB (x4)



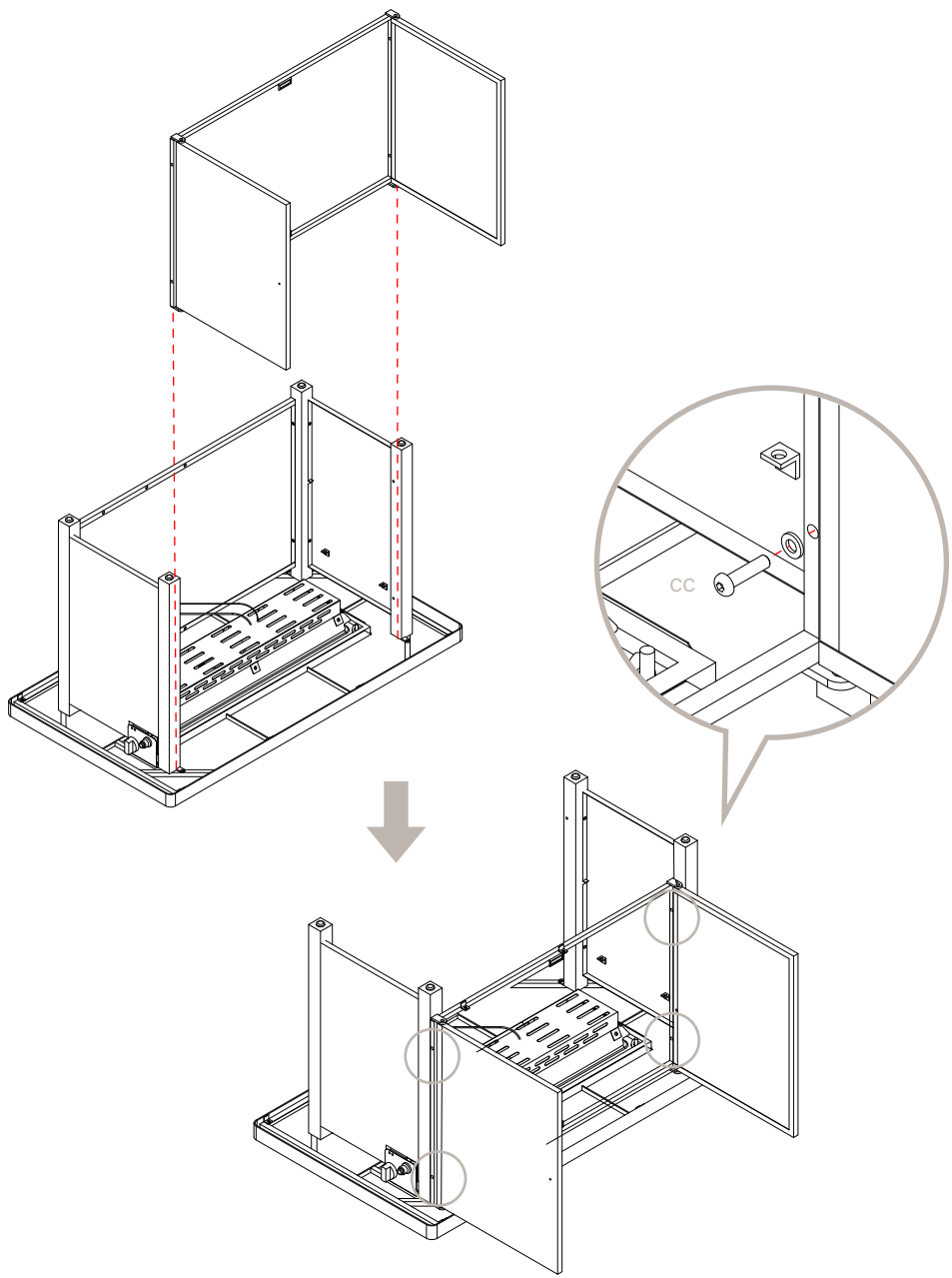
2.1



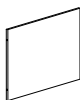
C (x4)



M6 X 25/ø 12 X 1.6 CC (x4)



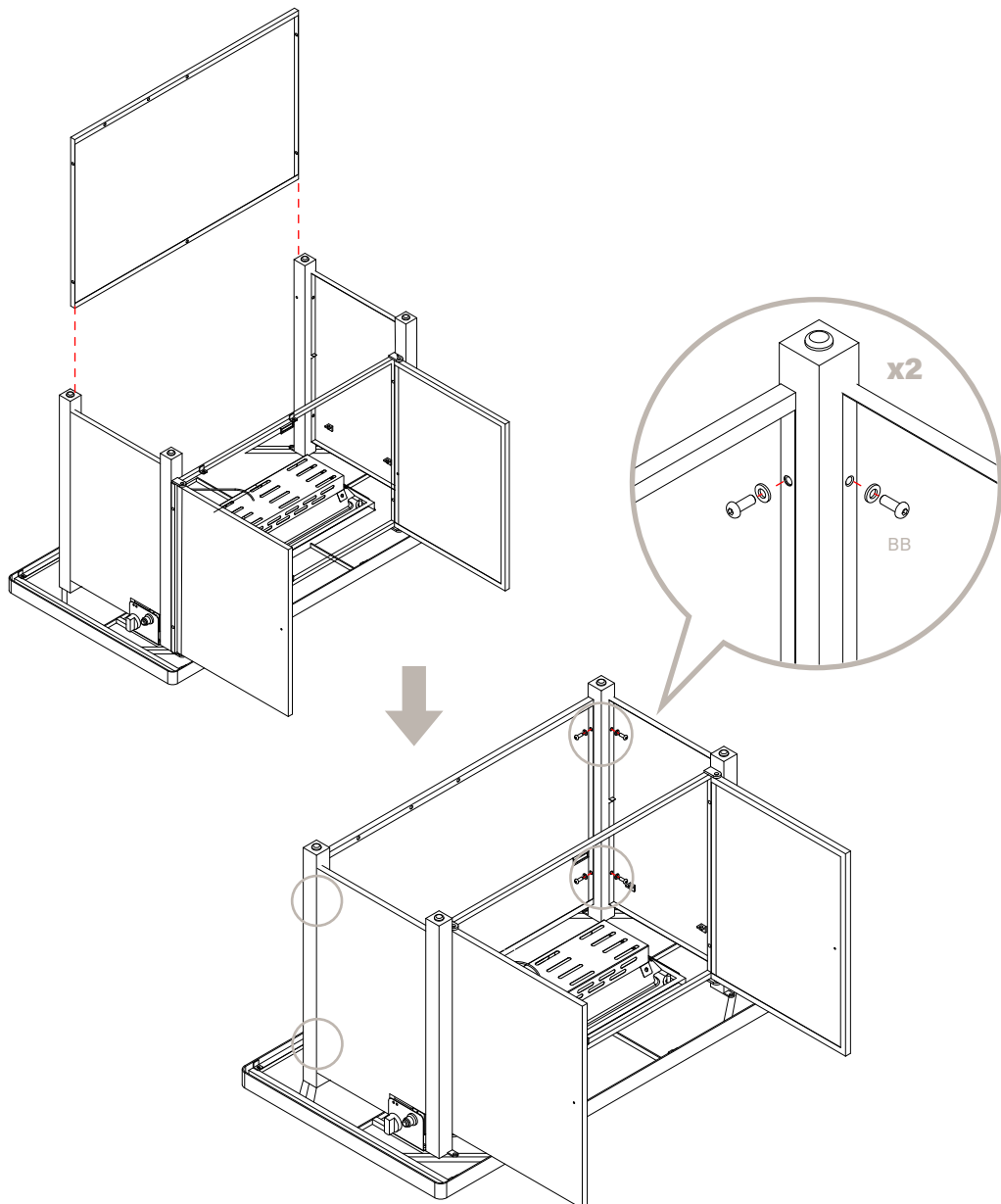
3.1



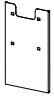
D



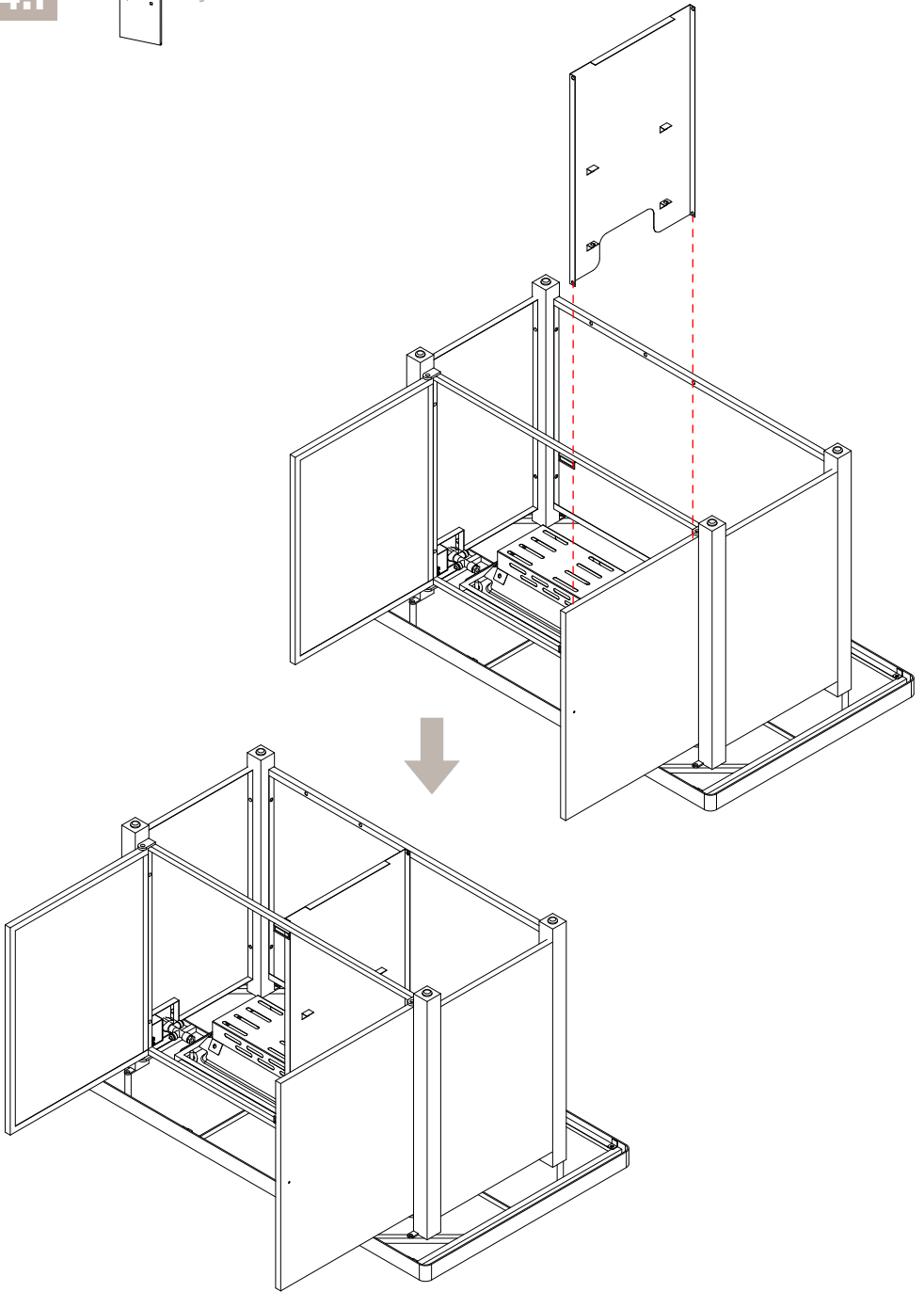
M6 X 15/ø 12 X 1.6 BB (x8)



4.1



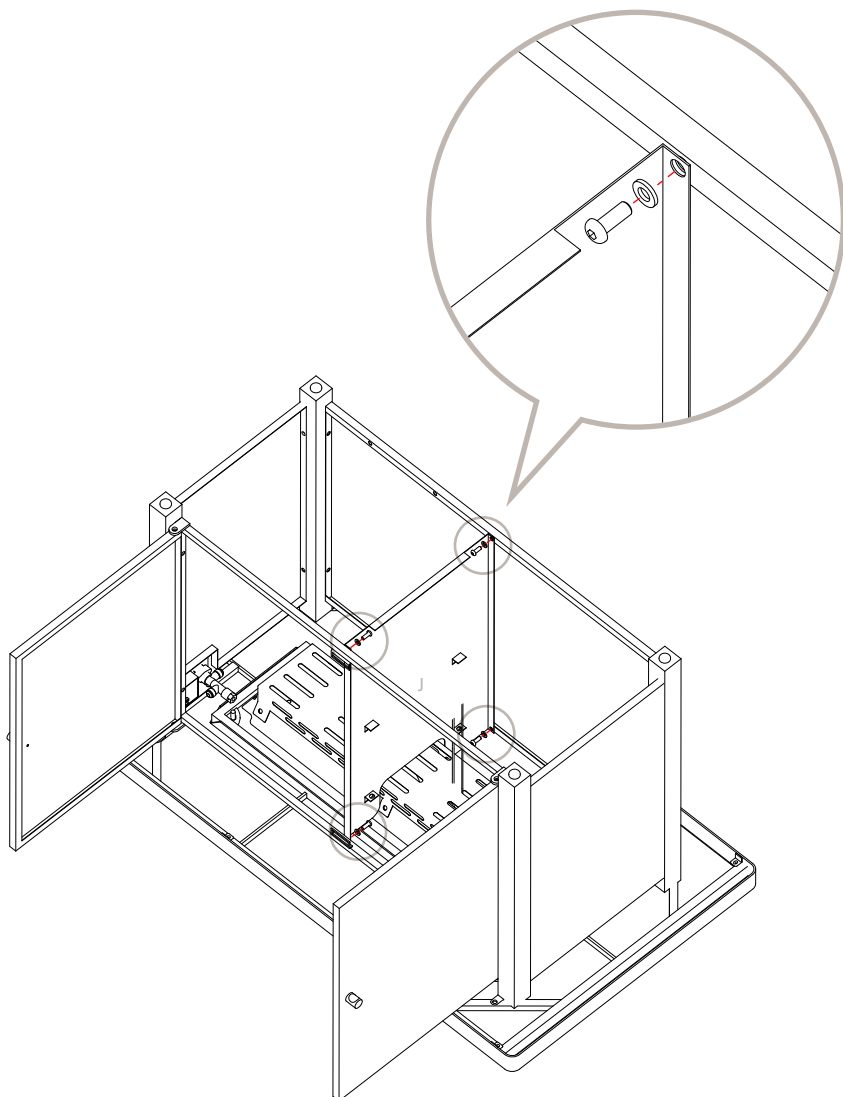
J



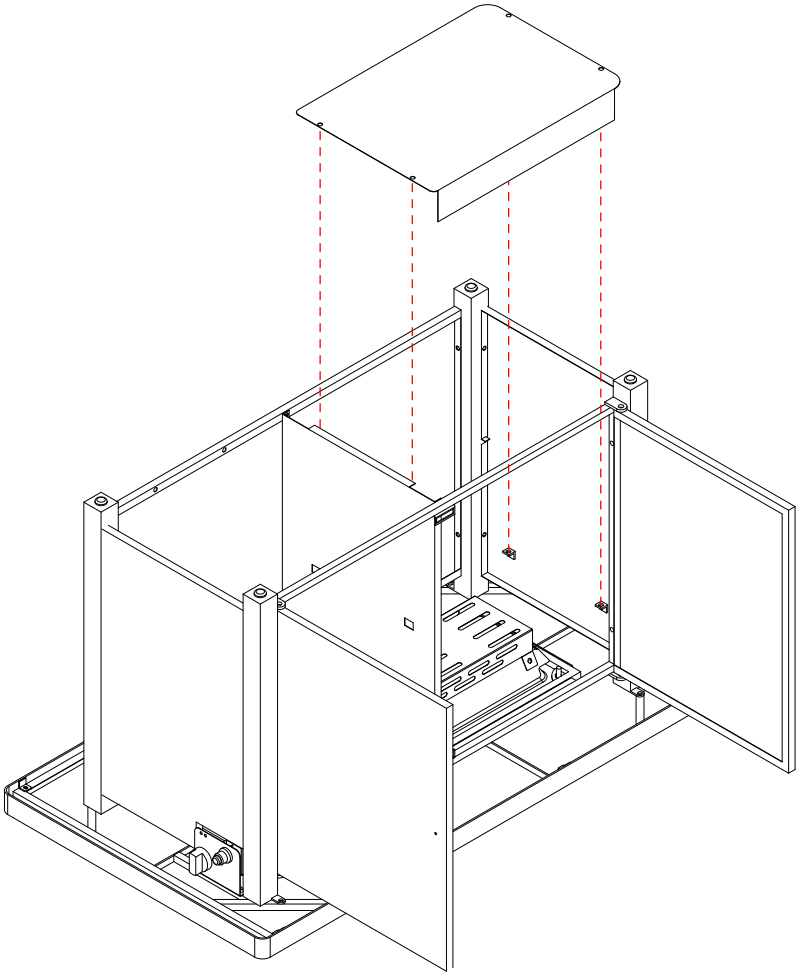
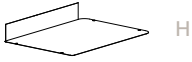
4.2



M6 X 15/ø 12 X 1.6 BB (x4)



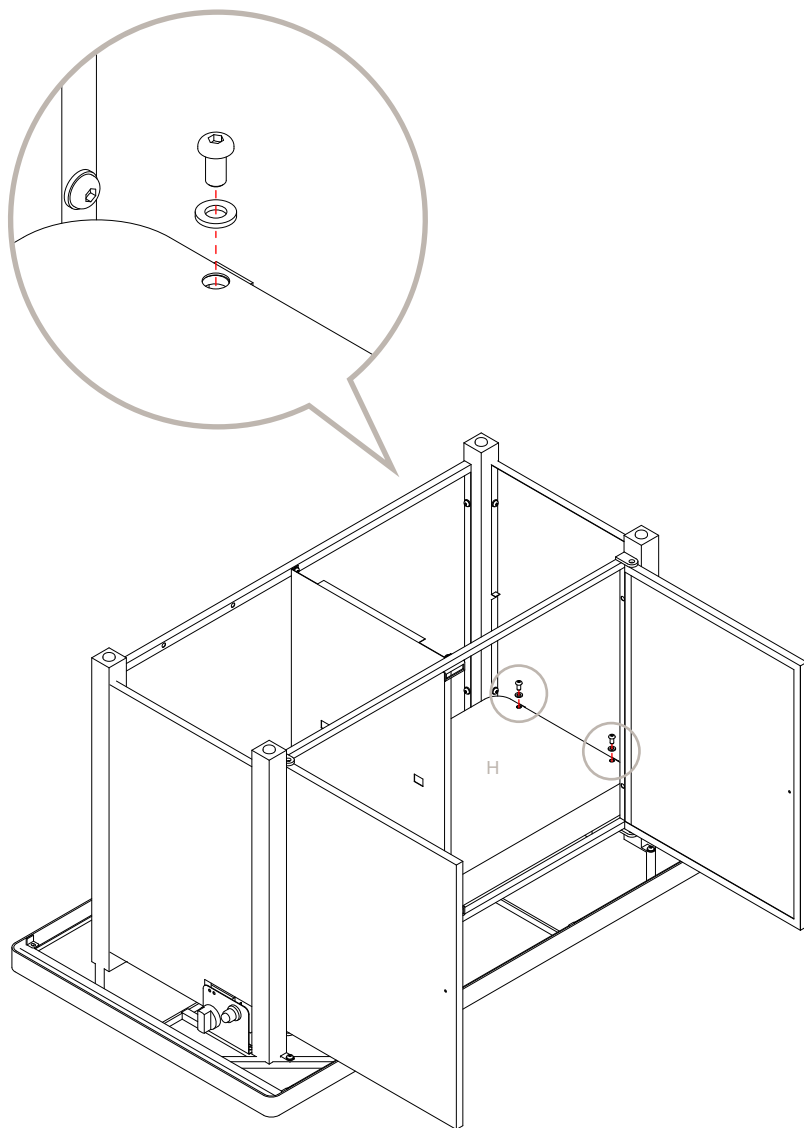
5.1



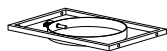
5.2



M6 X 15/ø 12 X 1.6 BB (x4)



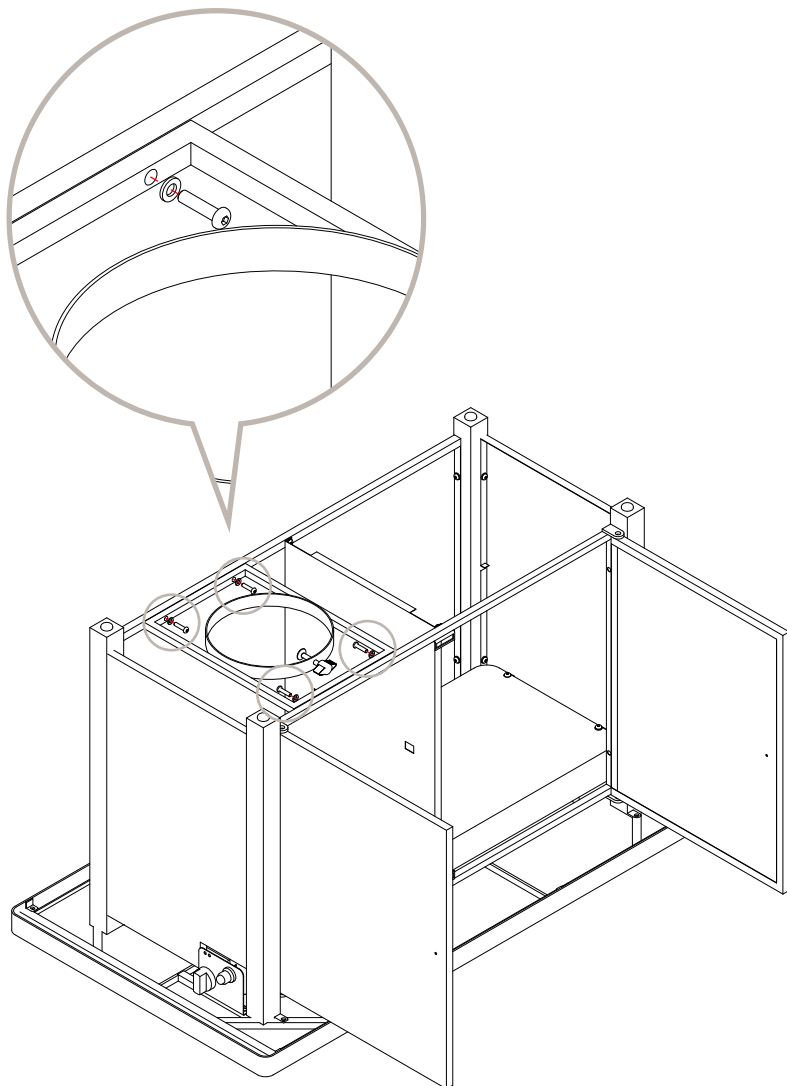
6.1



K

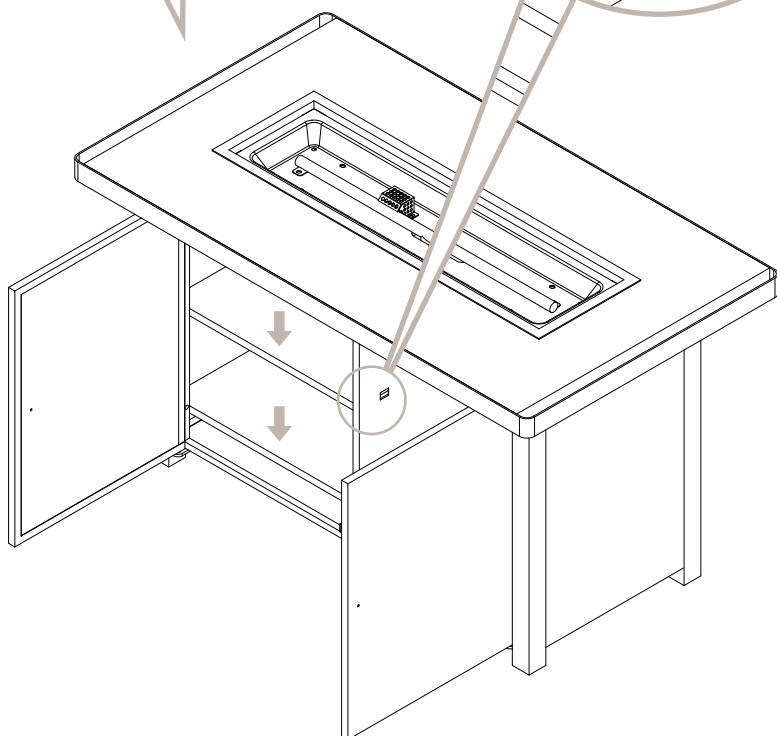
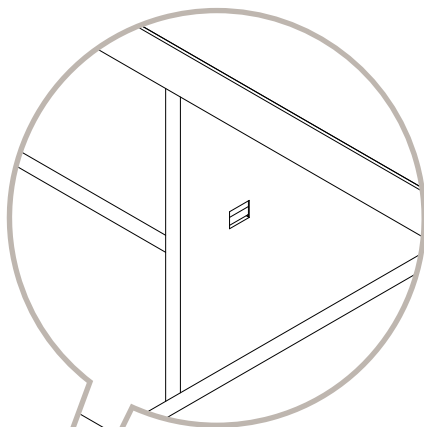
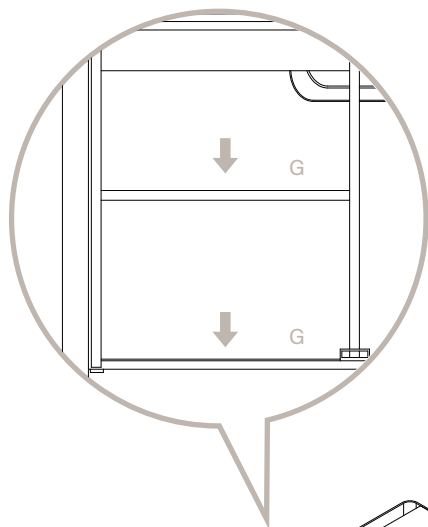


M6 X 25/ø 12 X 1.6 CC (x4)





G (x2)



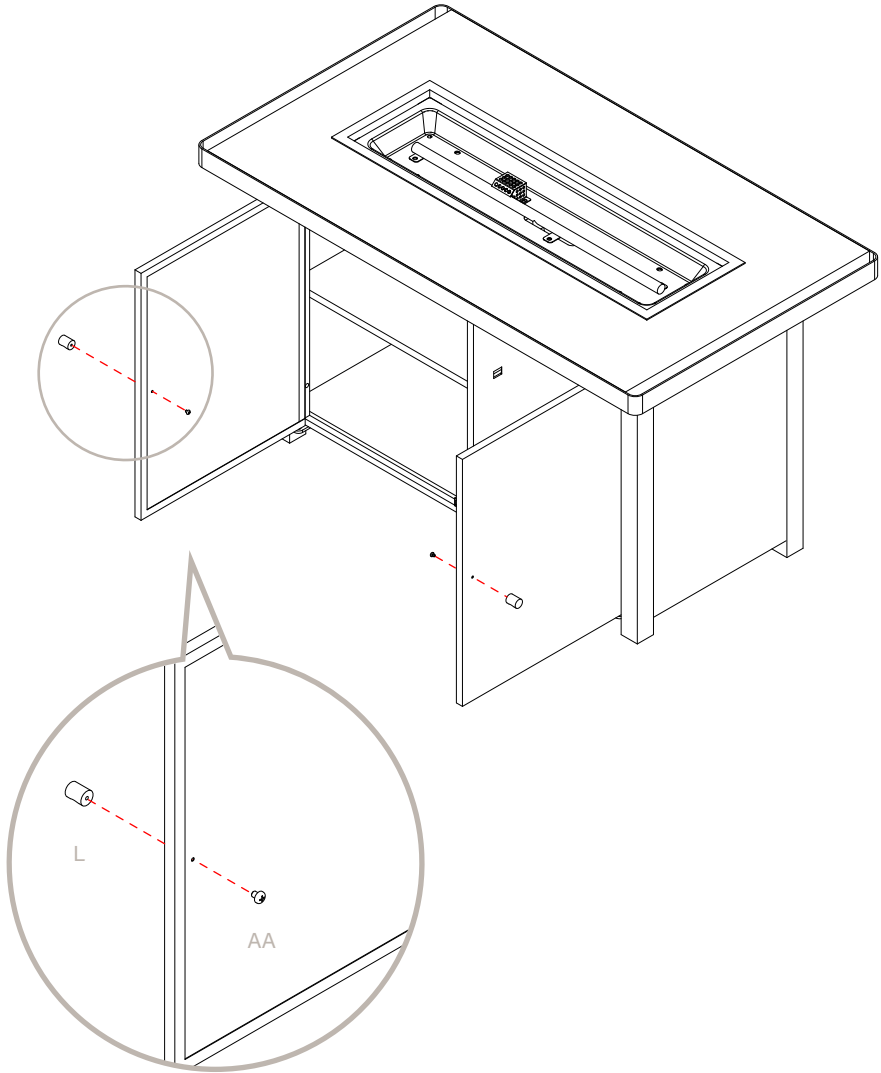
8.1



L (x2)



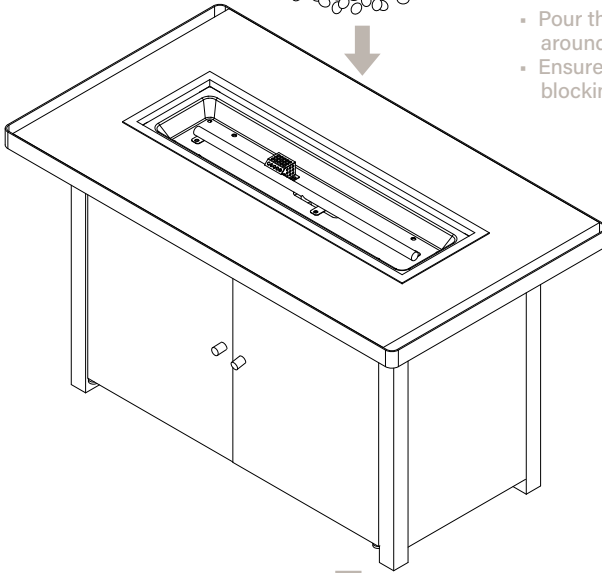
M4X5 AA (x2)



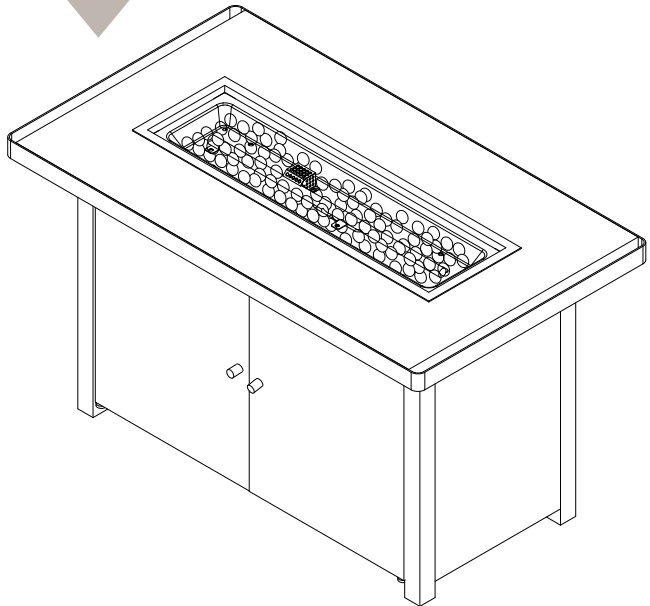
9.1



Q



- Pour the glass beads (Q) well dispersed around the burner.
- Ensure the glass beads (Q) are not blocking the ignition of the burner.



10.1



M (x2)

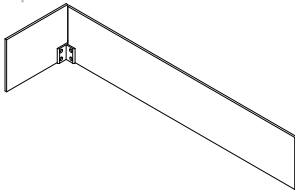


N (x2)

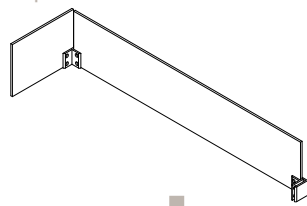


P (x4)

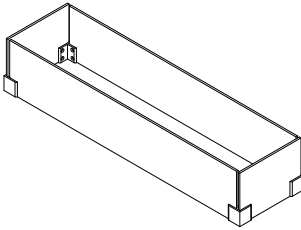
Step 1



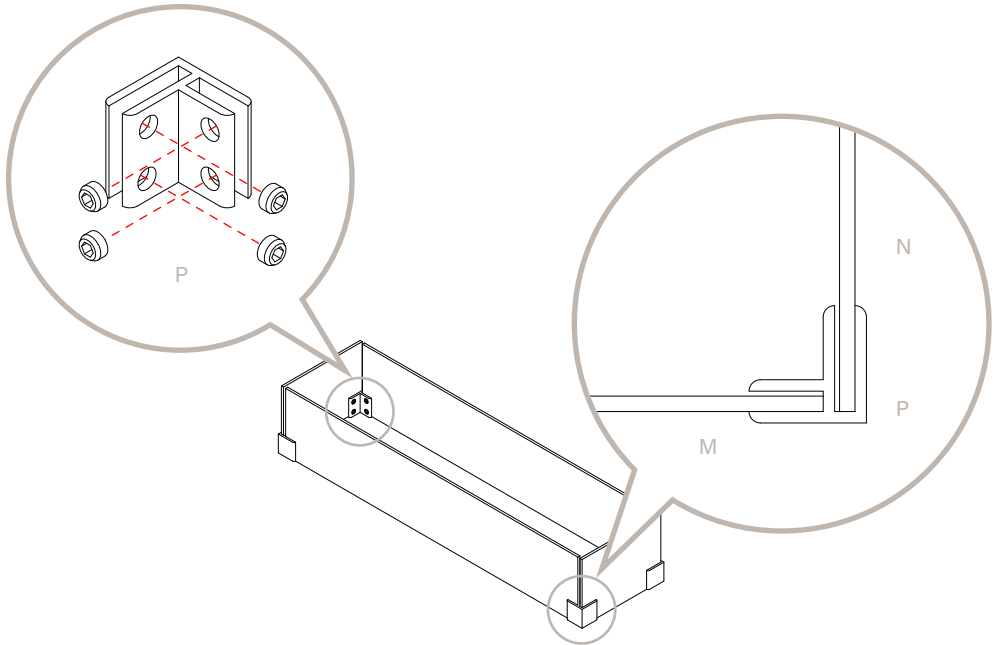
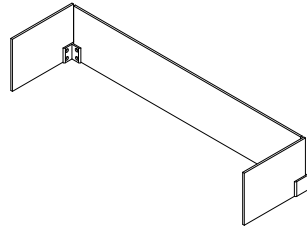
Step 2

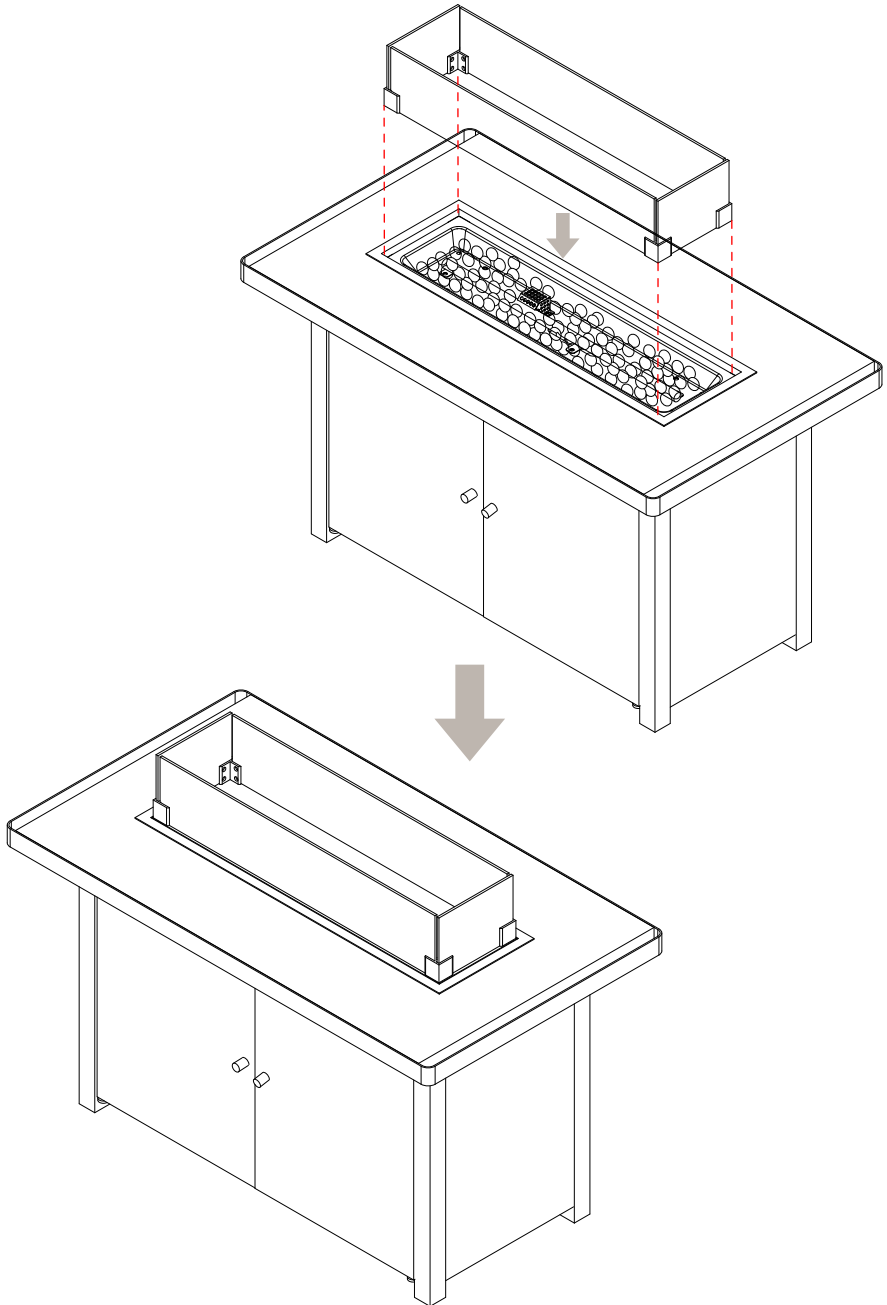


Step 4

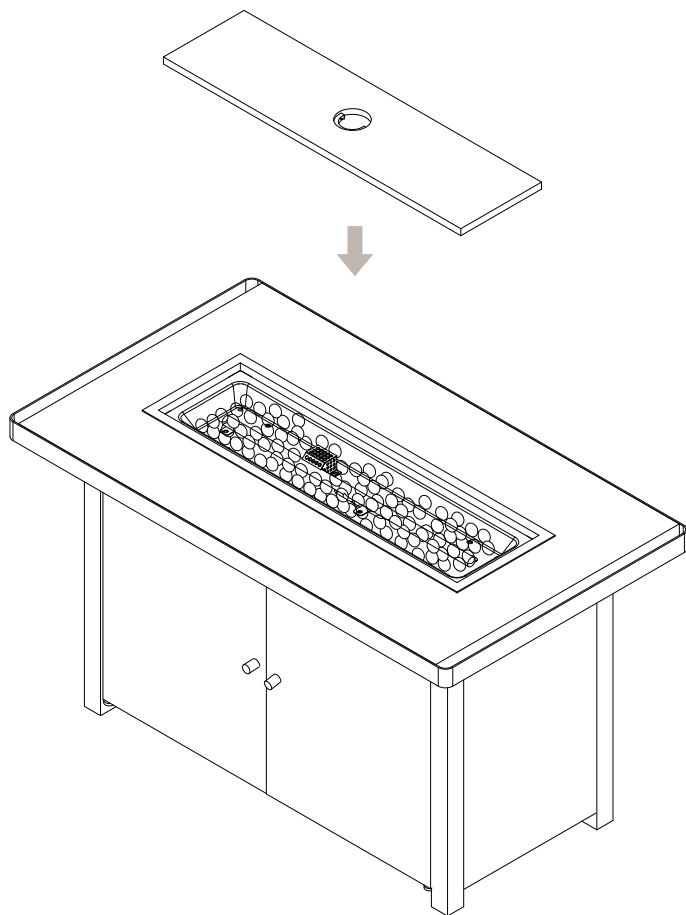


Step 3

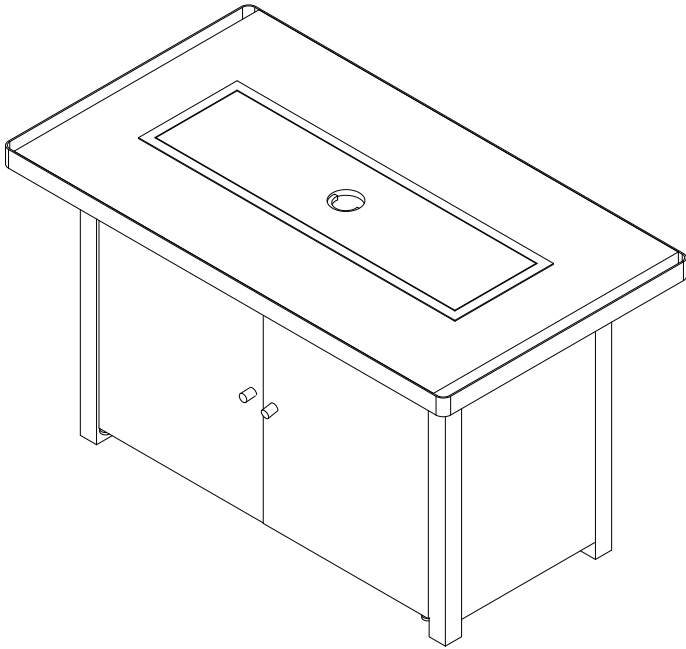




Cover the Lid

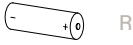
11.1

Complete

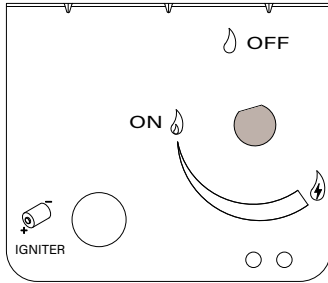


Battery Installation of Ignitor

1.1



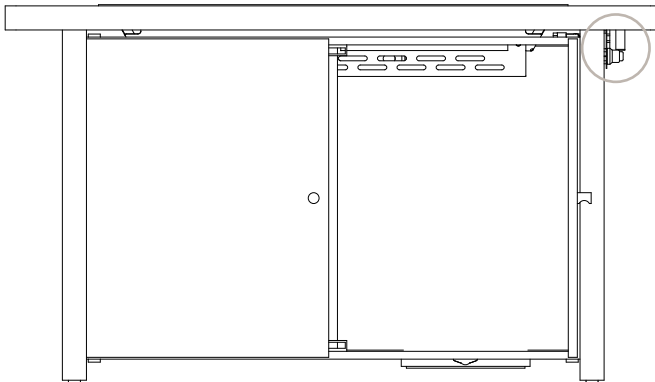
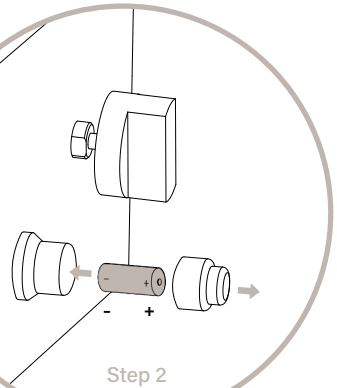
Step 1



PLEASE DO ENSURE the contro knob for the gas supply system is turned to "OFF" position before starting any ignition!!!

- Pour the glass beads (Q) well dispersed around the burner.
- Ensure the glass beads (Q) are not blocking the ignition of the burner.

Step 2

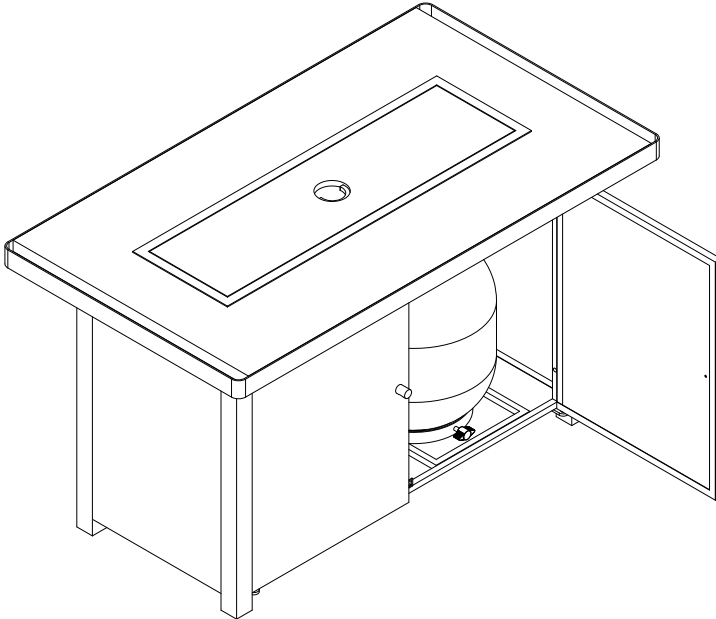
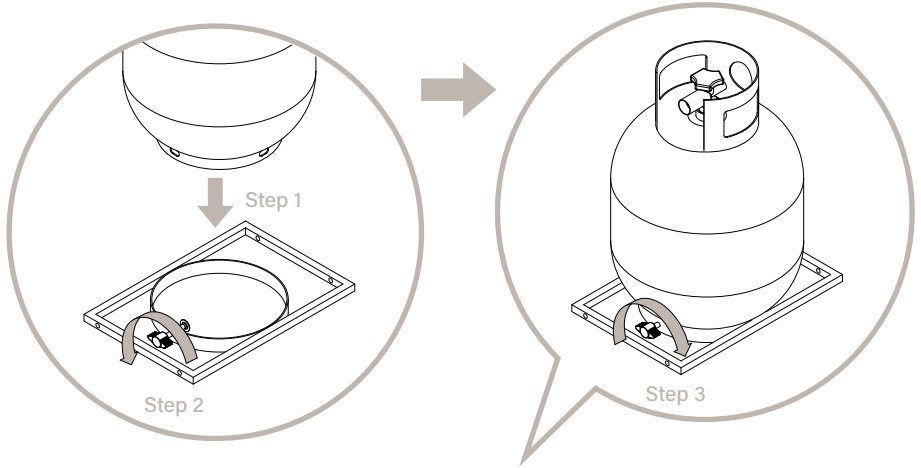


Placement of the Propane Tank

1.1

Step 1: Place the tank in the center of circle
Step 2: Loosen the screw counterwise

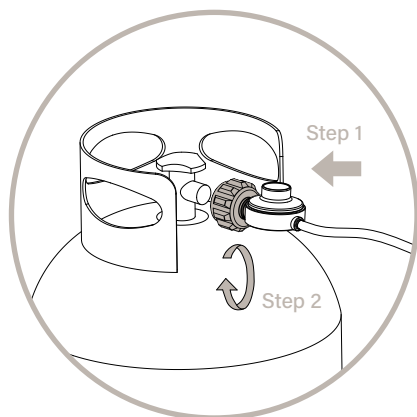
Step 3: Tighten the screw clockwise



Attachment & Detachment of Regulator

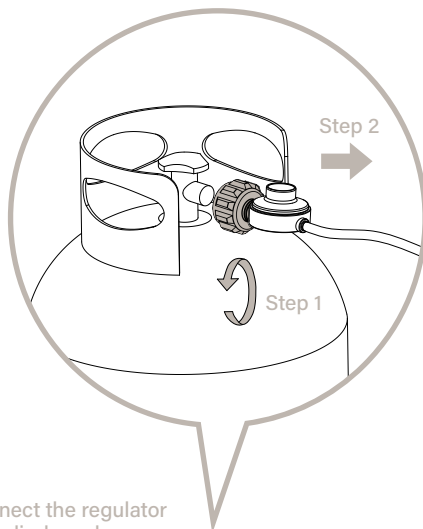
1.1

Attachment

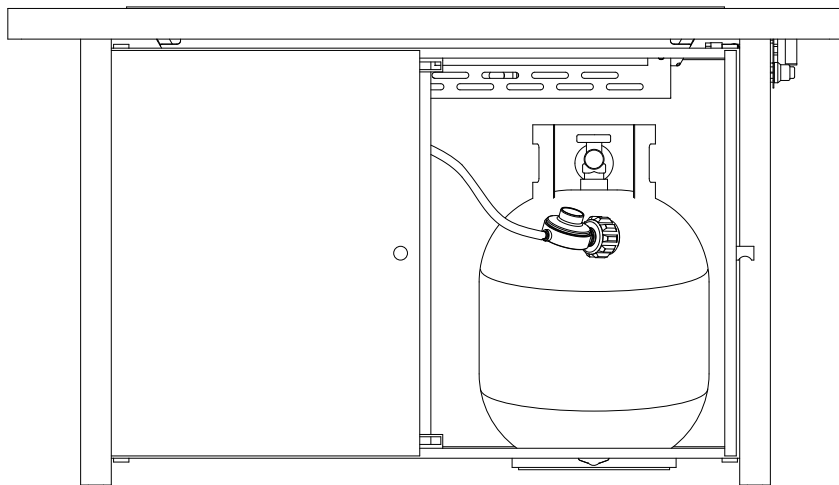


Step 1:
Connect the regulator to
the cylinder valve
Step 2:
Tighten the black coupling
nut clockwise

Detachment



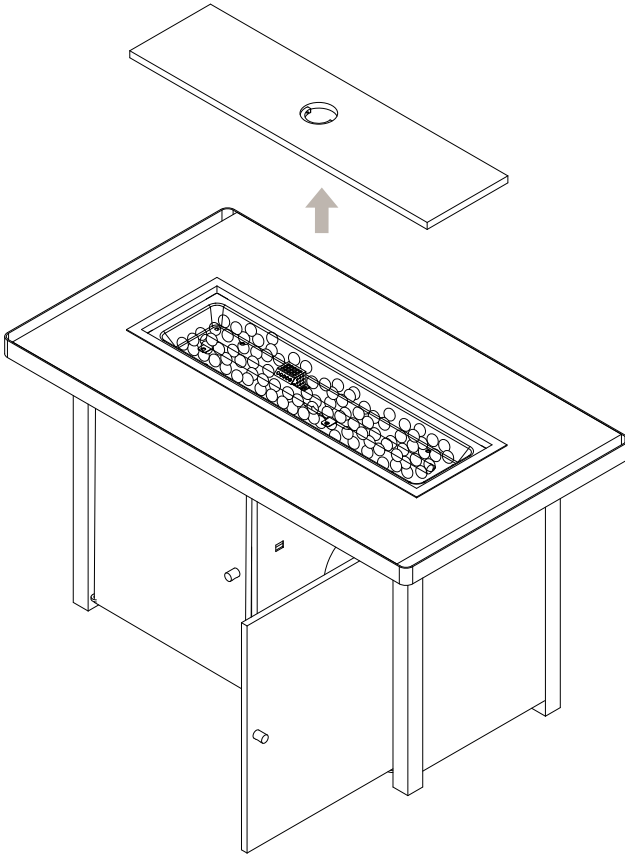
Step 1:
Disconnect the regulator
to the cylinder valve
Step 2:
Loosen the black coupling
nut counterwise



Ignite the firetable

1.1

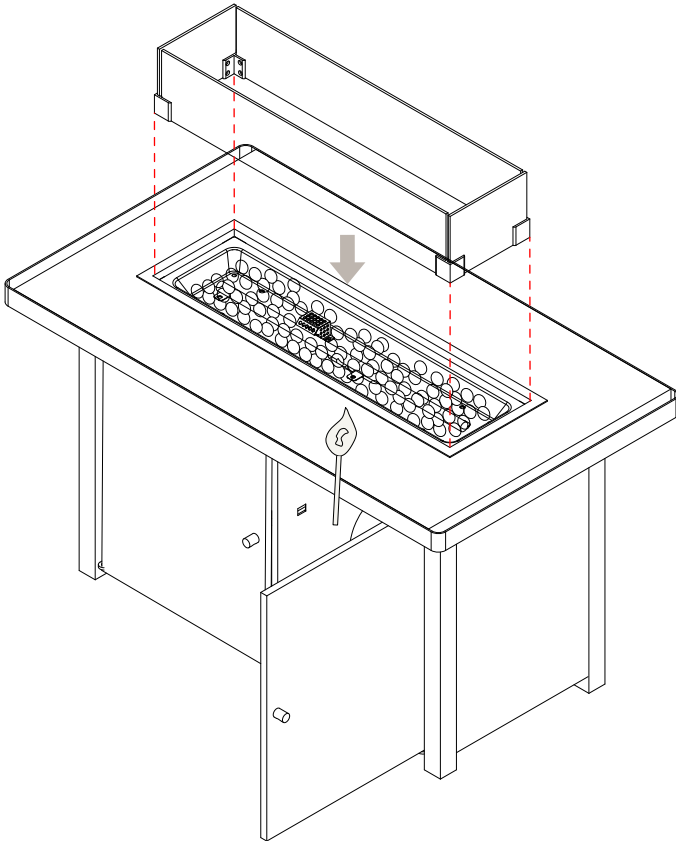
The lid **MUST BE** removed before igniting up the fire table.
The lid **MUST BE** kept removed during burning.



1.2

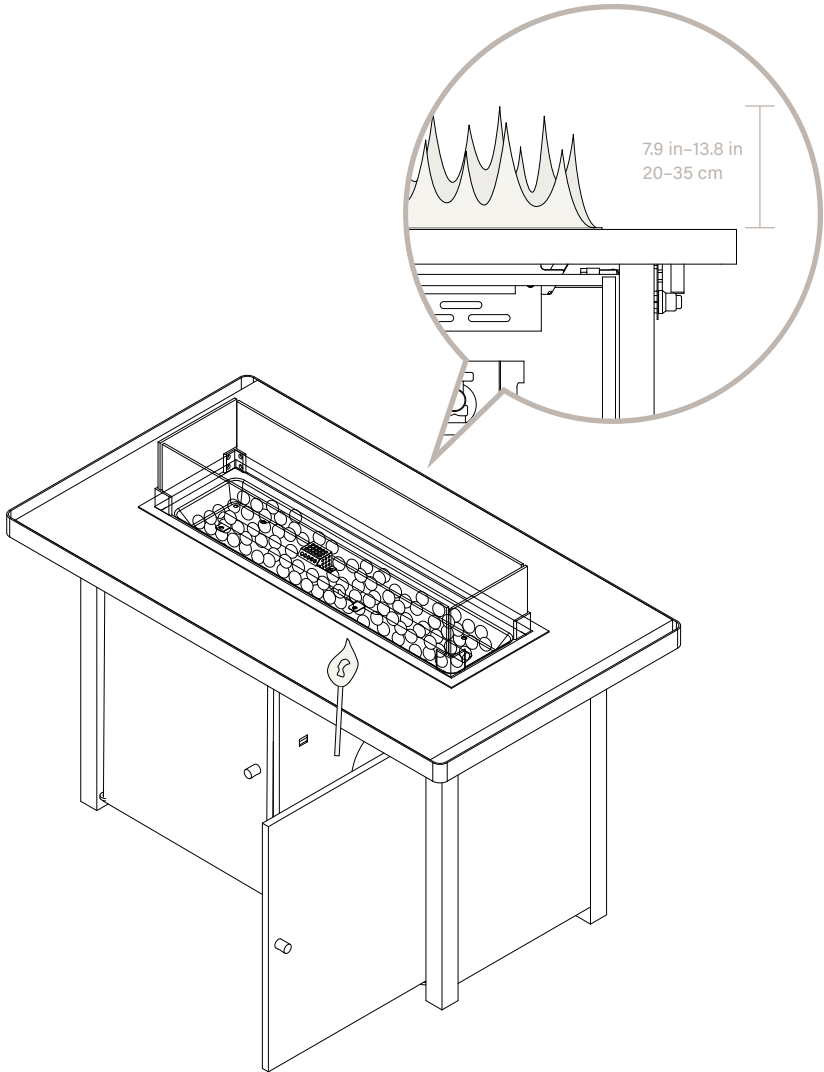


We highly recommend you to cover the fire table with glass cover before lighting up the fire table.



1.3

Pay attention that the height of fire can be ranged from 7.9 in to 13.8 in.
Be careful during operation.



Operation



WARNING: Never use this appliance for other than the intended use. Do not use this appliance to prepare food.

Initial Lighting: When lit for the first time, the appliance emits a slight odor. This is normal temporary condition caused by the "burn - in" of internal paints and lubricants used in the manufacturing process and does not occur again. Simply run the main burner on high for approximately one - half hour.



WARNING:

- Children and adults should be alerted to the hazards of high surface temperatures and should stay away from the appliance to avoid burns or clothing ignition.
- Children should be carefully supervised when they are in the area of the appliance.
- Clothing or other flammable materials should not be hung from the appliance, or placed on or near the appliance. The area above the enclosure may be extremely hot. Direct contact with these surfaces should be avoided in order to prevent burns or clothing ignition.
- Any guard or protective device removed for servicing the appliance must be replaced prior to operating the appliance.
- Installation and repair should be done by a qualified service person.
- The appliance should be inspected before each use and at least annually by a qualified service person. More frequent cleaning may be required necessary. It is imperative that the control compartment, burners and circulating air passageways of the appliance be kept clean.



WARNING:

- Never use the appliance while it is raining. Always turn the appliance off when raining
- Never use the appliance if the burner is damaged. Inspect the burner before each use.
- Ensure that no debris such as leaves; grass or other objects have entered or are on the appliance. If the burner is damaged it must be replaced prior to using the appliance with a replacement burner specified by your manufacture.
- Inspect the hose assembly before each use. If there is evidence of excessive abrasion or wear. or if the hose is damaged it must be replaced prior to using the appliance with a replacement hose assembly specified by your manufacture.



WARNING: Any modification to the appliance may compromise the safety of this appliance.

Special concern is as followed:

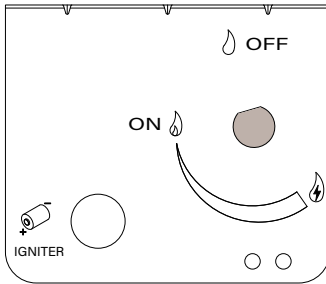
- Do not bypass thermocouple safety.
- Do not operate the appliance if any parts has been under water. Immediately call a qualified service technician to inspect the appliance and replace any part of the control system and gas control, that has been underwater.



Operation

Lighting Instructions:

1. Press and hold electronic igniter button.
2. Turn the burner control to the high position, press and hold in. When the burner lights, release the electronic igniter button.
3. Continue to depress the burner control knob for 30 seconds and then release. If the flame goes out, repeat the procedure.
4. Adjust the flame to the desired height with the burner control knob.
5. If the burner will not light with the electronic igniter, hold a lit long match or lit long butane lighter to the ignition area of the burner and continue with step 2.
6. To shut down the burner turn the burner control knob to the off position. Then turn the gas off at the source (propane cylinder valve or natural gas supply valve).



WARNING:

FOR YOUR SAFETY:

Keep face and body away from burner area when lighting.

Ensure burner controls are in the off position. Slowly turn on the gas supply valve.



WARNING:

FOR YOUR SAFETY:

The propane cylinder is equipped with an excess flow device.

Unless burners are turned off prior to turning the cylinder on, only small flames and low heat will be achievable.



WARNING:

FOR YOUR SAFETY:

If the burner does not light within 10 seconds, turn the valve off and wait 5 minutes for any gas to dissipate before repeating the procedure.



Maintenance

To enjoy years of outstanding performance from your appliance, make sure you perform the following maintenance activities on a regular basis:

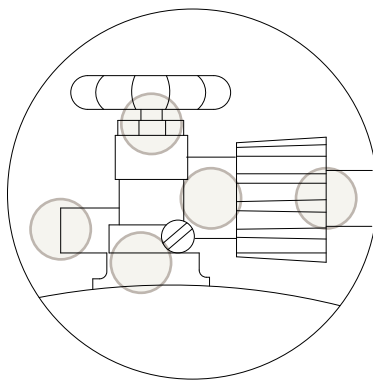
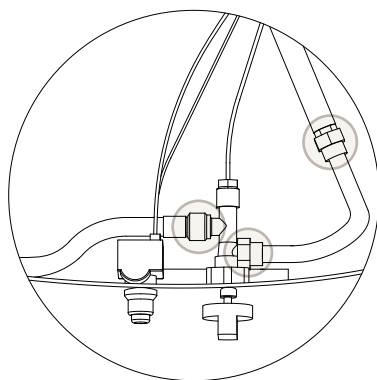
At least once a year, the unit should be inspected for the presence of spiders, spider webs or other insects.

- Air flow must be unobstructed. Keep controls, burner, and circulating air passageways clean.

Signs of possible blockage include:

- Gas odor with extreme yellow tipping of flame.
- Appliance does NOT reach the desired temperature.
- Heat glow is excessively uneven.
- Heat makes popping noises.
- Spiders and insects can nest in burner or orifices. This dangerous condition can damage appliance and render it unsafe for use. Clean burner holes by using a heavy-duty pipe cleaner. Compressed air may help clear away smaller particles.
- Carbon deposits may create a fire hazard. Clean reflector, thermocouple and emitter screen with a dry cloth if any carbon deposits develop.
- The burner is made from stainless steel, but extreme heat and a corrosive environment can cause surface corrosion to occur. Inspect the burner at least annually for cracks, insect nests, excessive corrosion or any other damage. If the burner is damaged, it must be replaced with a burner specified by the manufacturer before the appliance is put into operation

⚠ Attention: The marked zones as shown below in picture are potential leaking points.



Storage

Between use

- Turn the control knob to "OFF" position.
- Disconnect LP source.
- Store appliance upright in an area sheltered from direct contact with inclement weather (such as rain, sleet, hail, snow, dust and debris).
- Cover appliance to protect exterior surfaces and to help prevent build up in air passages.

Note: Wait until appliance is cool before covering.

During periods of extended inactivity or when transporting

- Turn the control knob to "OFF" position.
- Disconnect LP source and move to a secure, well ventilated location outdoors. DO NOT store in a location that will exceed 125 degrees F.
- Store appliance upright in an area sheltered from direct contact with inclement weather (such as rain, sleet, hail, snow, dust and debris).
- Cover appliance to protect exterior surfaces and to help prevent build up in air passages.

Note: Wait until appliance is cool before covering.



Troubleshooting

Problem	Cause	Solution
Low heat / Low flame when valve turned to high.	For propane-improper lighting procedure.	Ensure lighting procedure is followed carefully. The valve must be in the off position when the tank valve is turned on.
Burners burn with yellow flame, accompanied by the smell of gas.	Possible spider web or other debris.	Thoroughly clean burner venturi. See general maintenance instructions.
Burners will not light with the igniter, but will light with a match.	<p>Dead battery / or installed incorrectly.</p> <p>Loose electrode wire or switch terminal wires.</p>	<p>Replace with heavy duty battery.</p> <p>Check that electrode wire is firmly pushed onto the terminal on the back of the igniter. Check that the lead wires from the module to the ignition switch (if equipped) are firmly pushed onto their respective terminals.</p>
Burner will not stay lit when control knob is released.	<p>Knob not being held in long enough.</p> <p>Too windy.</p> <p>Flame glass or debris in ignition area of the burner preventing thermocouple from being fully engulfed in flame.</p> <p>Dirty thermocouple or thermocouple connection.</p> <p>Faulty thermocouple or valve.</p>	<p>Thermocouple must have time to heat up-hold the knob in for 30 seconds after the burner lights, then release.</p> <p>Unit will shut down if winds are greater than 10mph(16km/h). Either locate to different area or use when it is less windy.</p> <p>Ensure there is no flame glass or other debris in ignition area, and that the small hole below the thermocouple is unobstructed.</p> <p>Clean the thermocouple and clean the connection between the valve and thermocouple. Ensure the connection is properly tightened.</p> <p>Replace thermocouple and / or valve.</p>

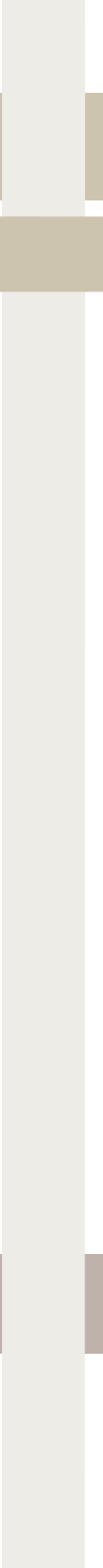


Troubleshooting

Problem	Cause	Solution
Humming regulator.	Normal occurrence on hot days.	This is not a defect. It is caused by internal vibrations in the regulator and does not affect the performance or safety of the appliance. Humming regulators will not be replaced.
Burner output on "High" setting is too low. (Rumbling noise and fluttering blue flame at burner surface.)	<p>Lack of gas.</p> <p>Supply hose is pinched.</p> <p>Dirty or clogged orifice.</p> <p>Spider webs or other matter in venturi tube.</p> <p>Propane regulator in "low flow" state.</p>	<p>Check gas level in propane cylinder.</p> <p>Reposition supply hose as necessary.</p> <p>Clean burner orifice.</p> <p>Clean out venturi tube.</p> <p>Ensure lighting procedure is followed carefully. All valves must be in the off position when the tank valve is turned on. Turn tank on slowly to allow pressure to equalize. See lighting instructions.</p>







CUSTOMER SERVICE LETTER

BEFORE RETURNING THE GOODS



We would kindly ask you to contact the following email address with detailed information listed below:

1. Order platform and order ID.
2. Please include the product name and article number.
3. Please specify the quantity of faulty parts, damaged parts, or missing components with photos. If possible, please highlight them in the component list section of the installation manual.



Frequent Asked Questions:

1. If you ordered a multi-package item, the packages might arrive separately. The specification of package number is printed on the label.
2. Before contacting us for missing components, please check and make sure that all the packages are well received. Usually, all packages will be delivered within 3 business days.
3. If you haven't received all the packages after 3 business days, please contact us ASAP.



Our Service Goals:

If you have any questions, please feel free to contact us. Your satisfaction is our top priority. Your feedback motivates us to move forward and deliver stronger results.