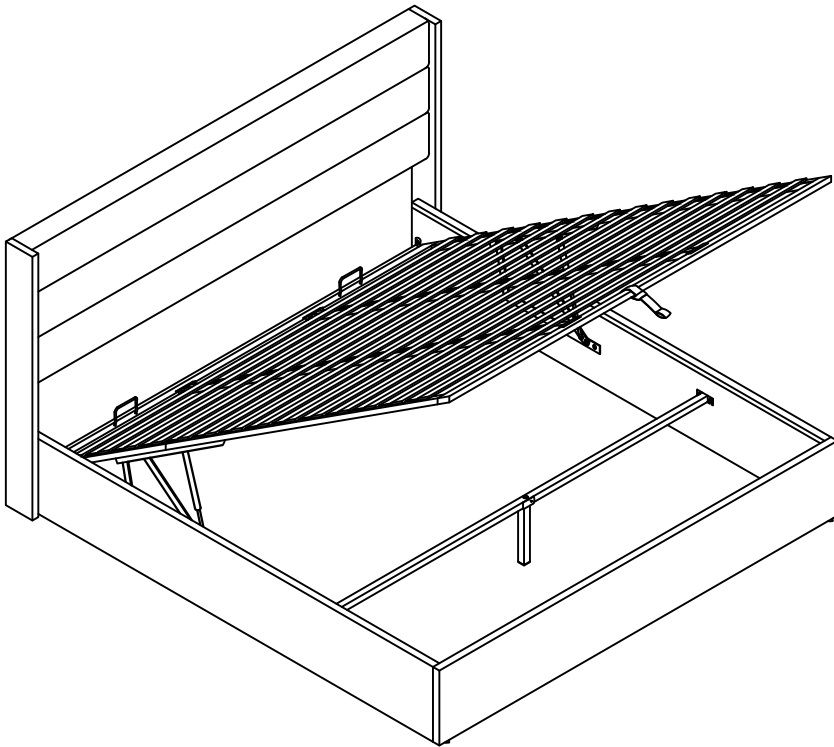


# ASSEMBLY INSTRUCTION



**WARNING: OPEN THE HEADBOARD BACK ZIPPER, THE BED REST PARTS IN IT.**

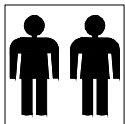


**Please TEAR OFF this shrink film from side!  
DO NOT USE CUTTER!**

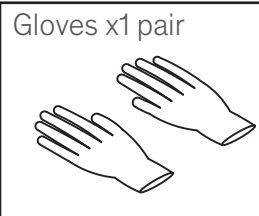
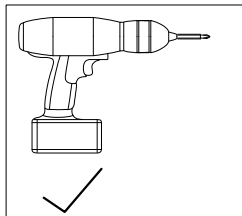
**ITEM NUMBER:162**

## **IMPORTANT NOTE**

- 1. All other part inside the headboard please open the zipper of headboard, and take out all other part before assembly.**
2. For the protection of your furniture, place all parts on a clean and smooth surface to prevent any damage.
3. Keep fittings out of children's reach and keep children well away from construction area.
4. When moving your assembled bed. it is best to lift the bed and never to drag it.
5. Not use this product if parts are missing, damaged or worn.
6. This product should only be used on firm, level ground.
7. Please periodically check all fittings and re-tighten as necessary.
8. Do not use the bed unless all bolts and screws are firmly secured.
9. For further assistance, please provide a screenshot of your order and contact us via email at



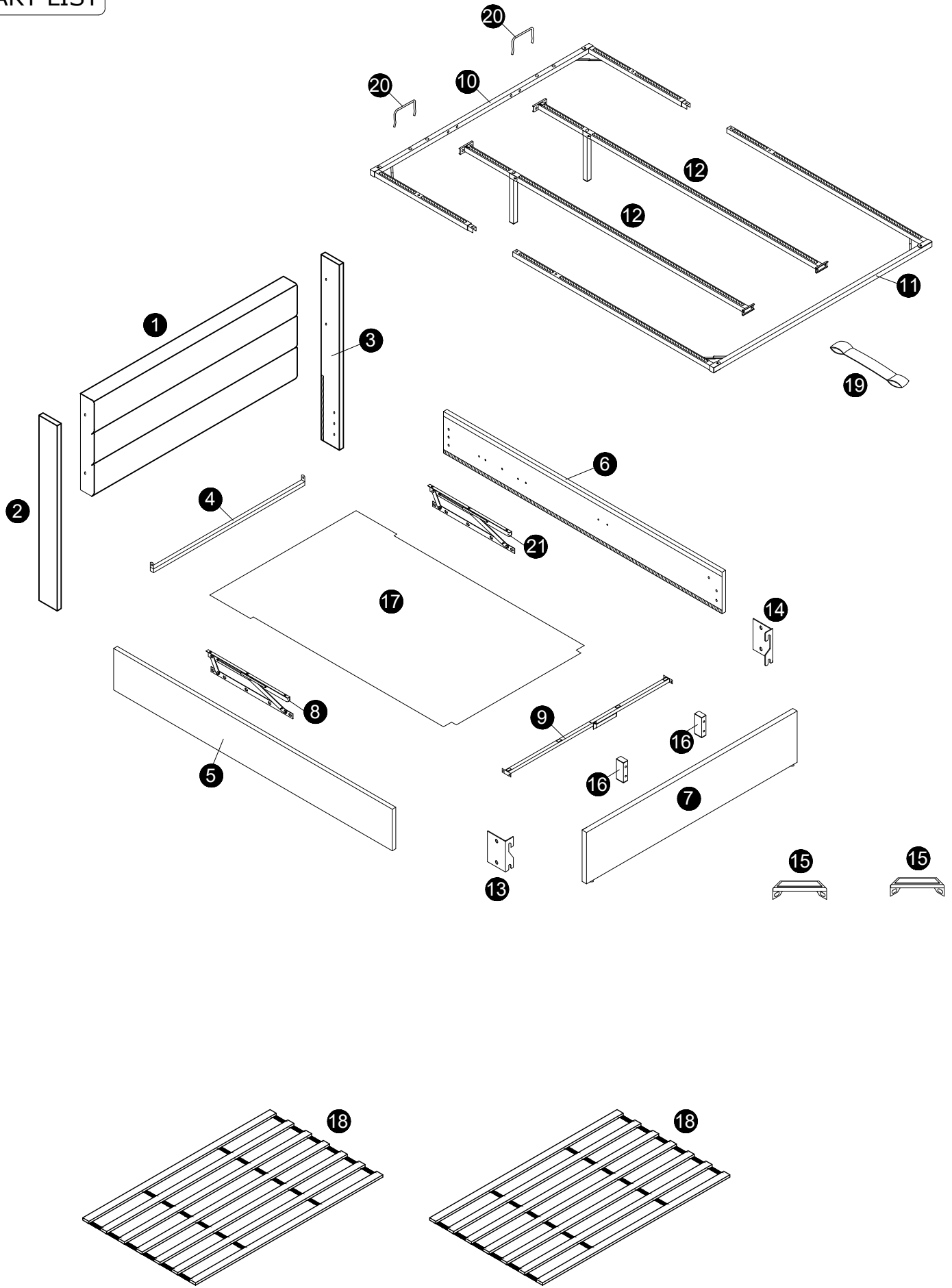
Minimum two  
person assembly



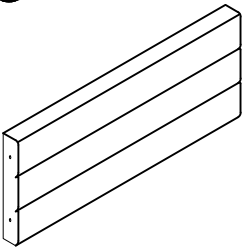


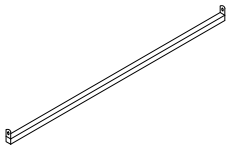
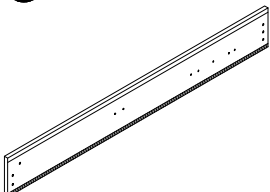
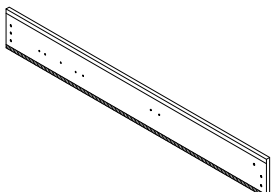
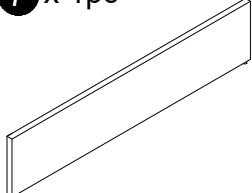
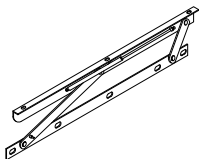
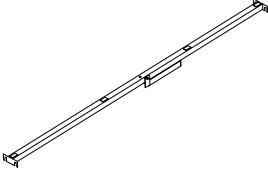
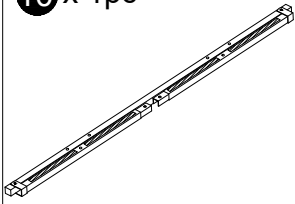
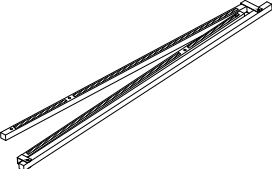
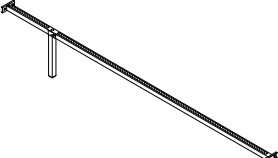
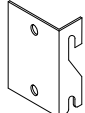
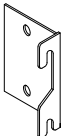
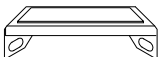
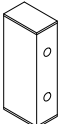
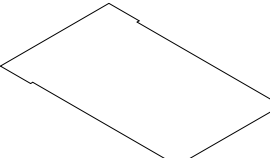
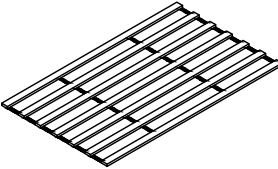
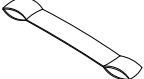
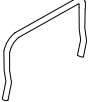
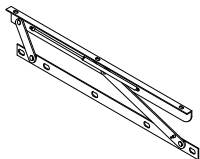
Gloves x1 pair

Please note gloves.  
This fabric is very light colour.  
So when assembling bed,  
please wear them.


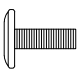
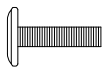


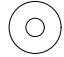



PART LIST



## PART LIST

<b>1</b> x 1pc 	<b>2</b> x 1pc 	<b>3</b> x 1pc 	<b>4</b> x 1pc 	<b>5</b> x 1pc 
<b>6</b> x 1pc 	<b>7</b> x 1pc 	<b>8</b> x 1pc 	<b>9</b> x 1pc 	<b>10</b> x 1pc 
<b>11</b> x 1pc 	<b>12</b> x 2pcs 	<b>13</b> x 1pc 	<b>14</b> x 1pc 	<b>15</b> x 2pcs 
<b>16</b> x 2pcs 	<b>17</b> x 1pc 	<b>18</b> x 2pcs 	<b>19</b> x 1pc 	<b>20</b> x 2pcs 
<b>21</b> x 1pc 				

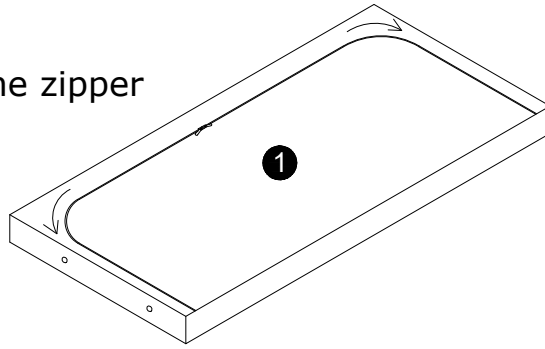
## HARDWARE LIST

 <b>H1</b> M5 x 1pc	 <b>H2</b> M8x25mm x 34pcs	 <b>H3</b> M8x40mm x 4pcs	 <b>H4</b> M8x60mm x 4pcs
 <b>H5</b> M8 x 10pcs	 <b>H6</b> M8x22mm x 10pcs	 <b>H7</b> M8 x 6pcs	 <b>H8</b> M14 x 1pc
			 <b>H9</b> M8x50mm x 15pcs

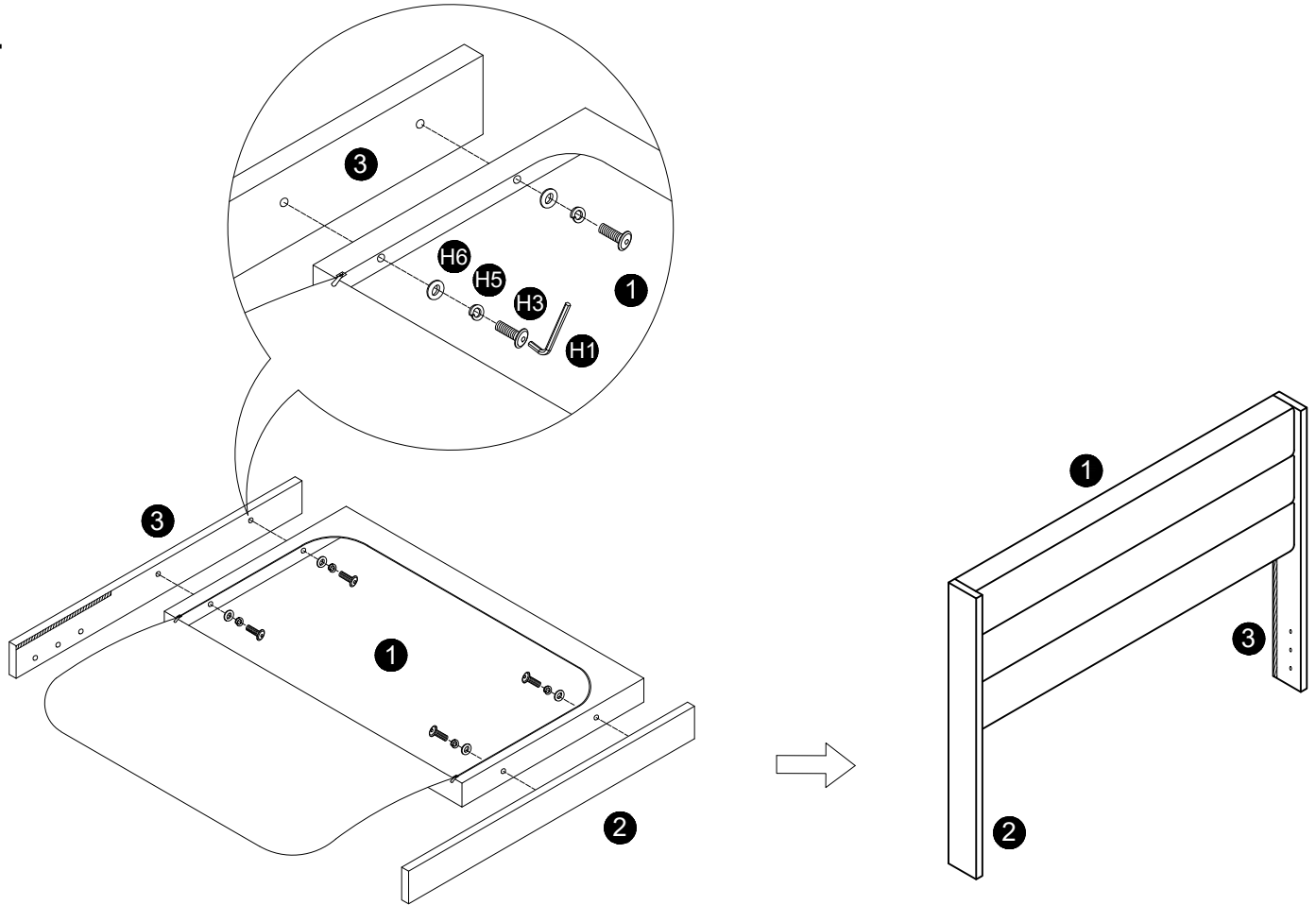
**Please ensure to thoroughly inspect the small inner cardboard box containing the hardware, which are tied with a red string, before disposing of the box.**

**1** **NOTE:** PLEASE OPEN THE ZIPPER ON THE BACK OF **1** AND TAKE OUT THE PARTS.

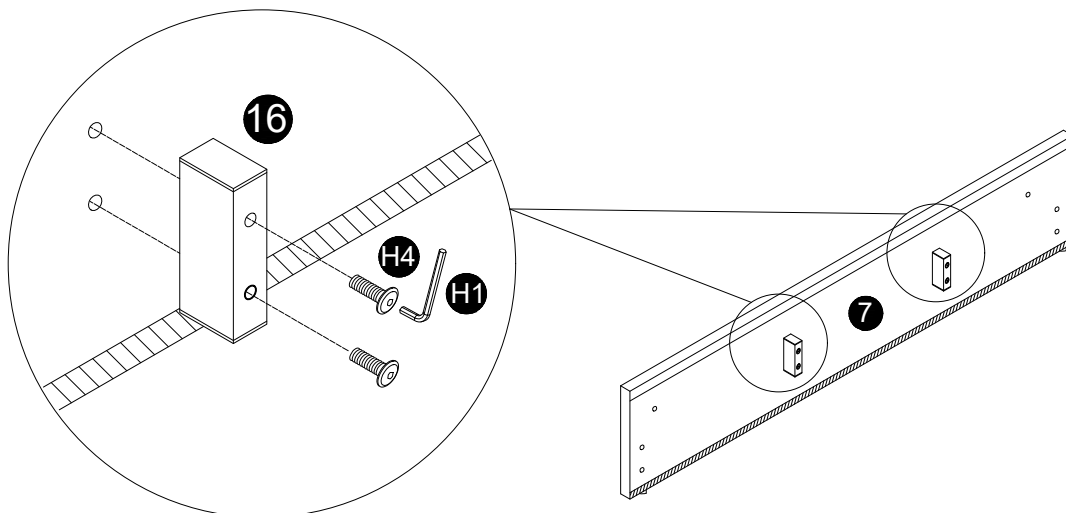
Open the zipper



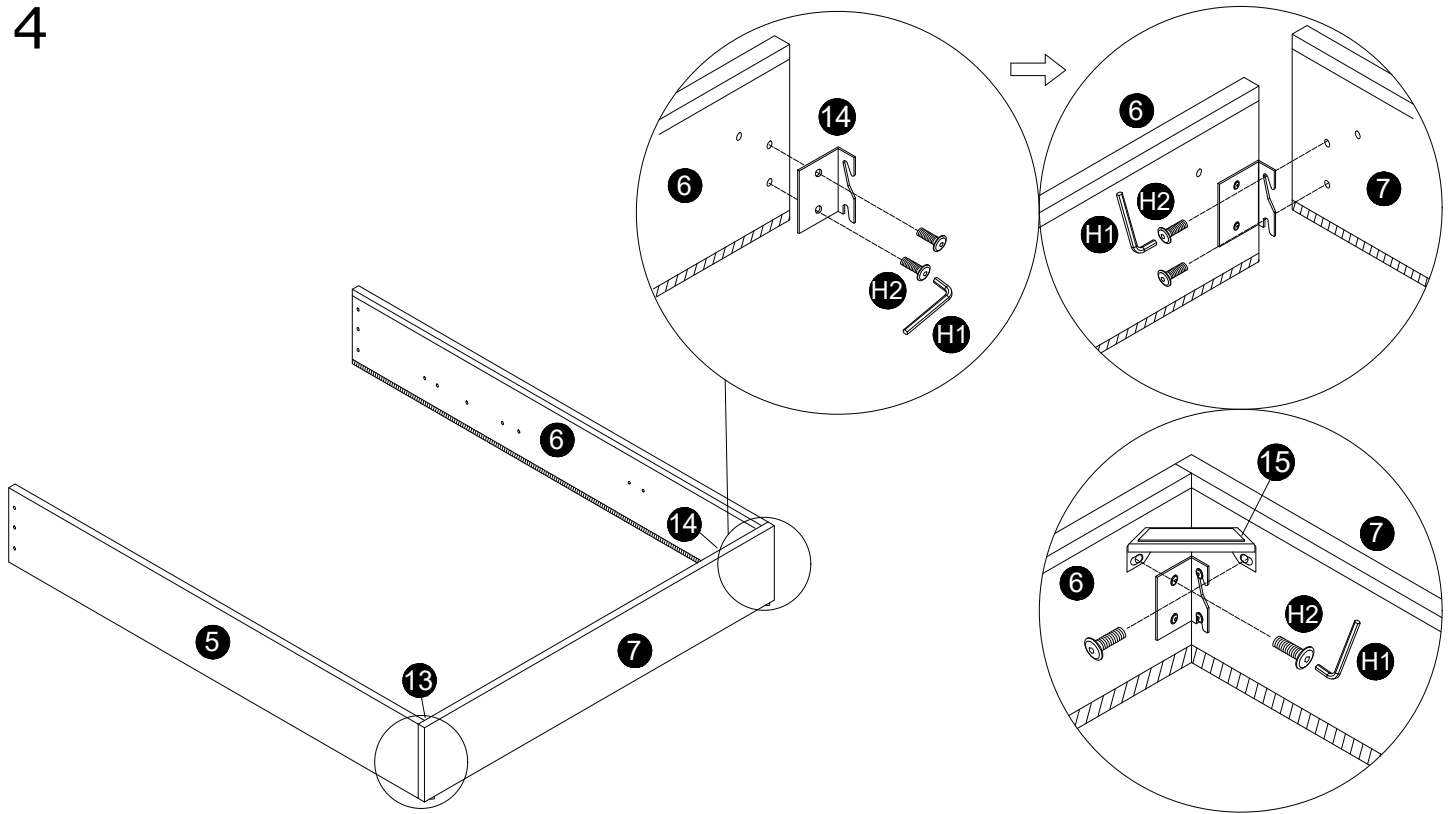
**2**



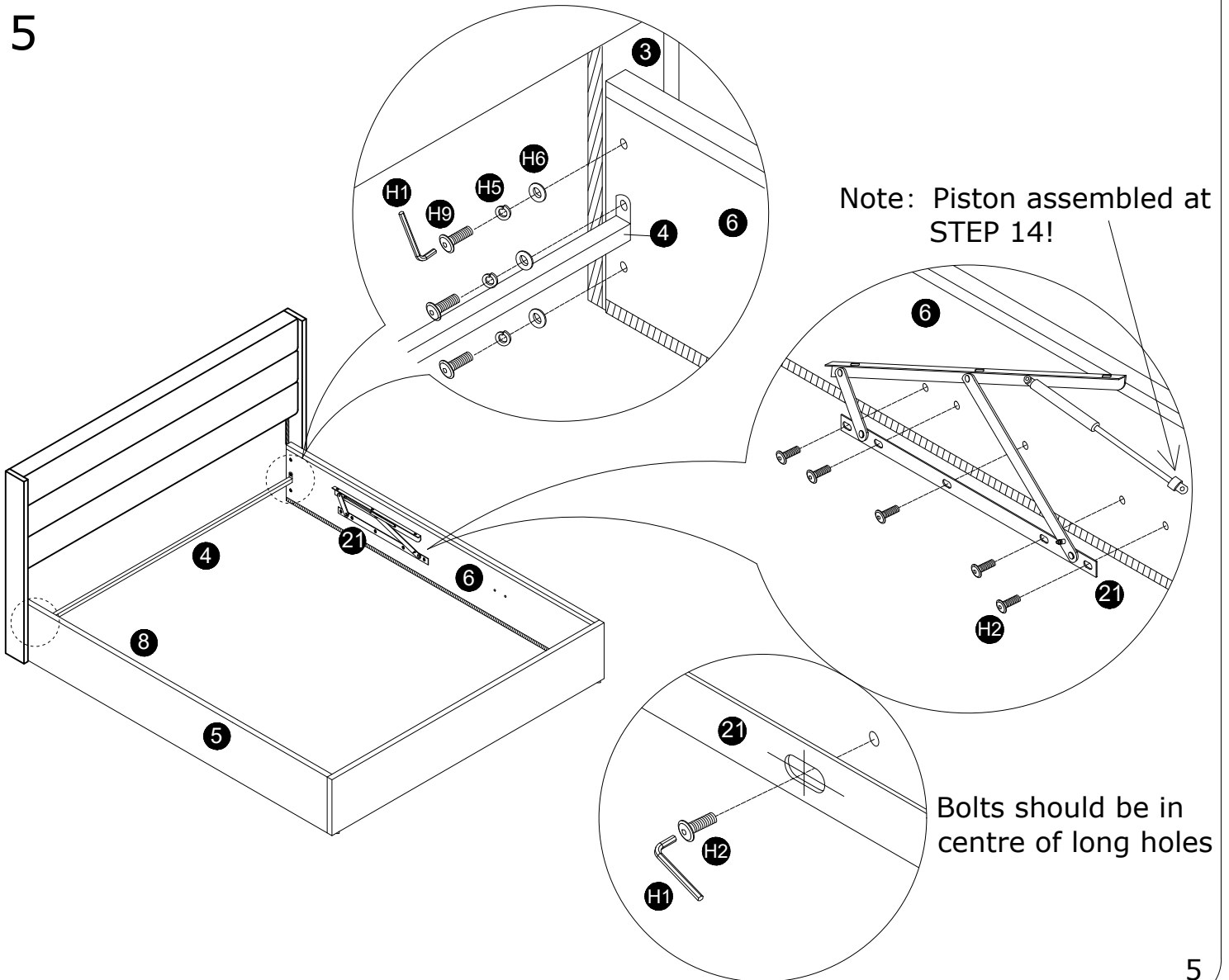
**3**



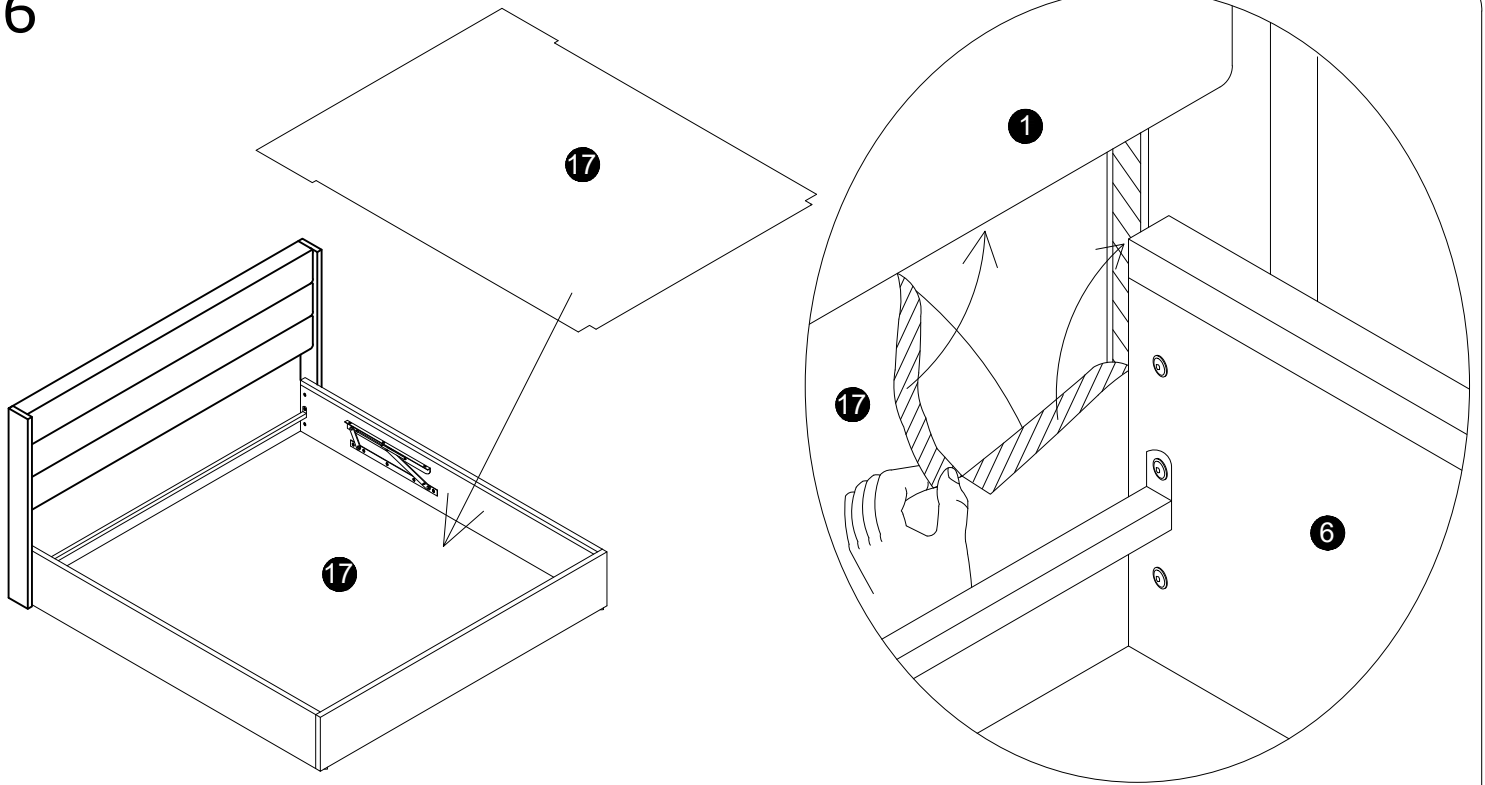
4



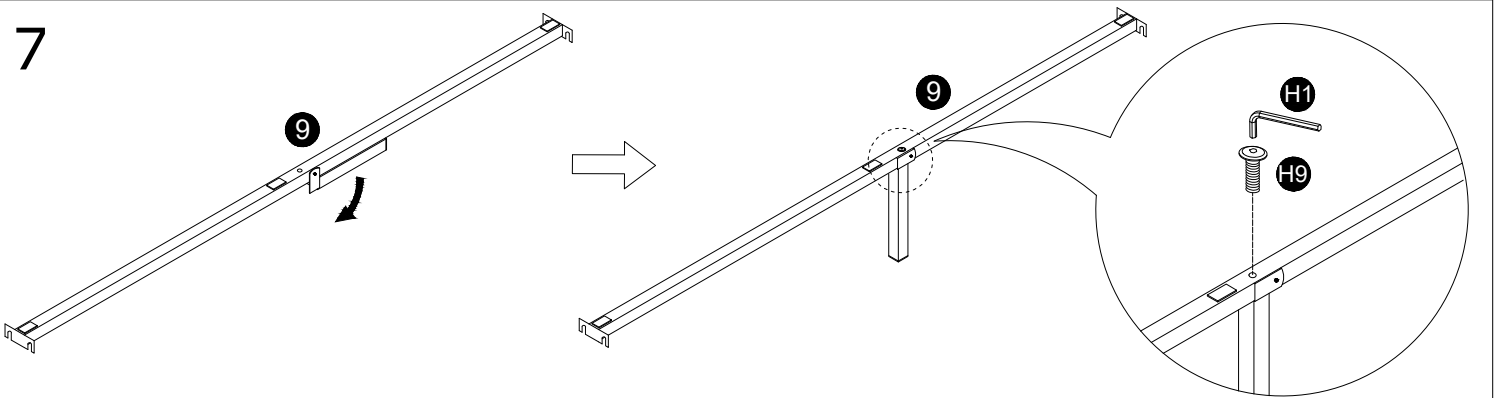
5



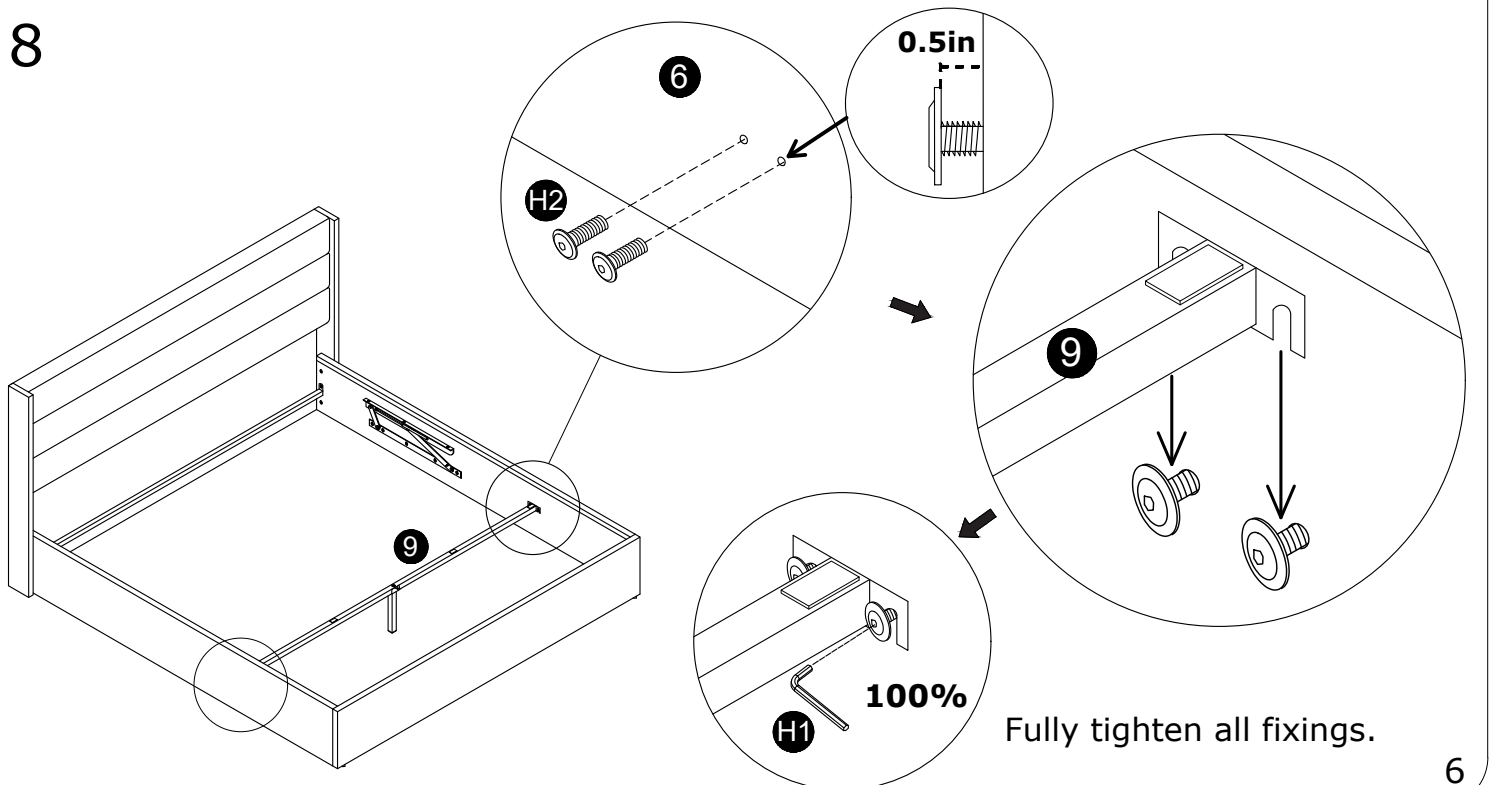
6



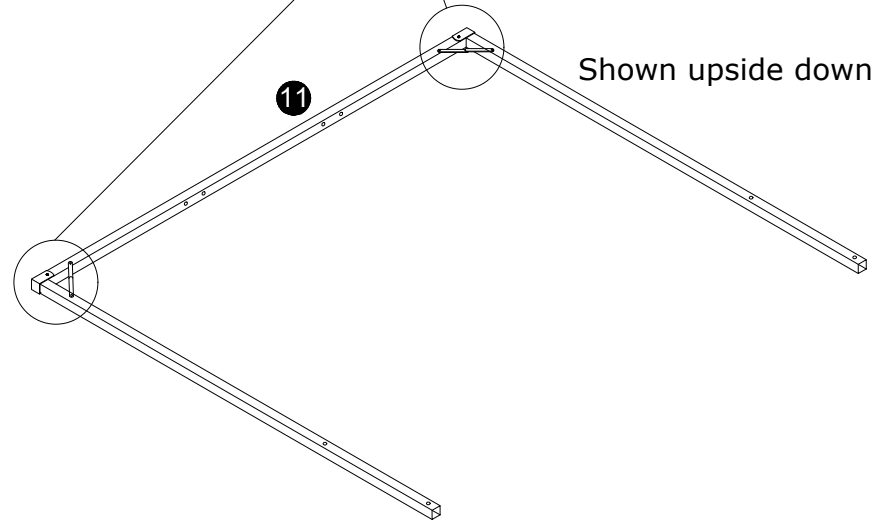
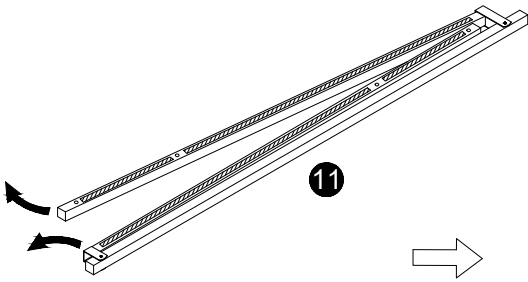
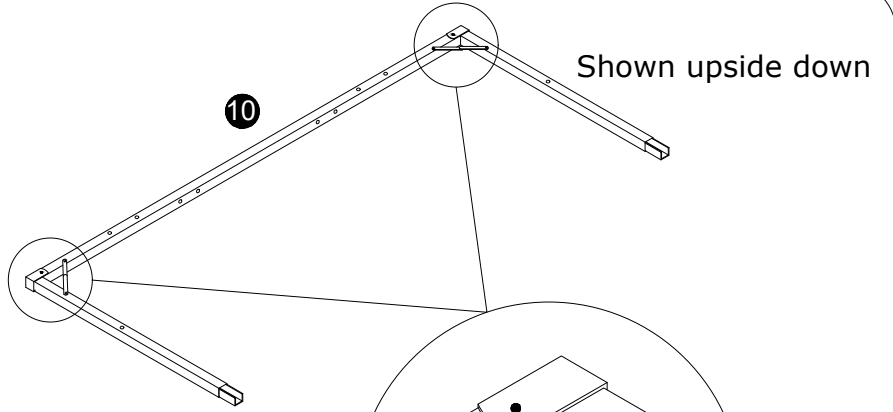
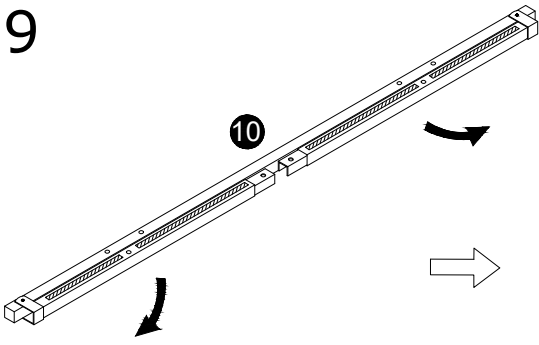
7



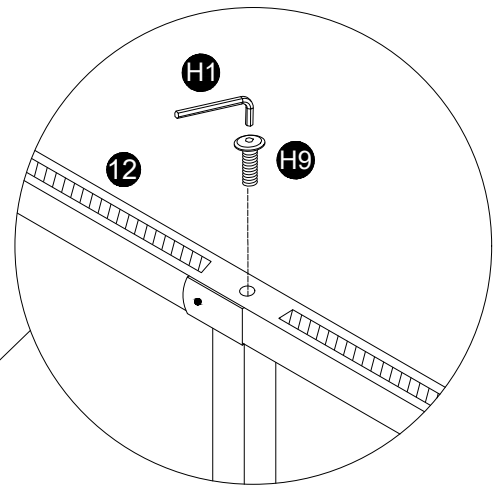
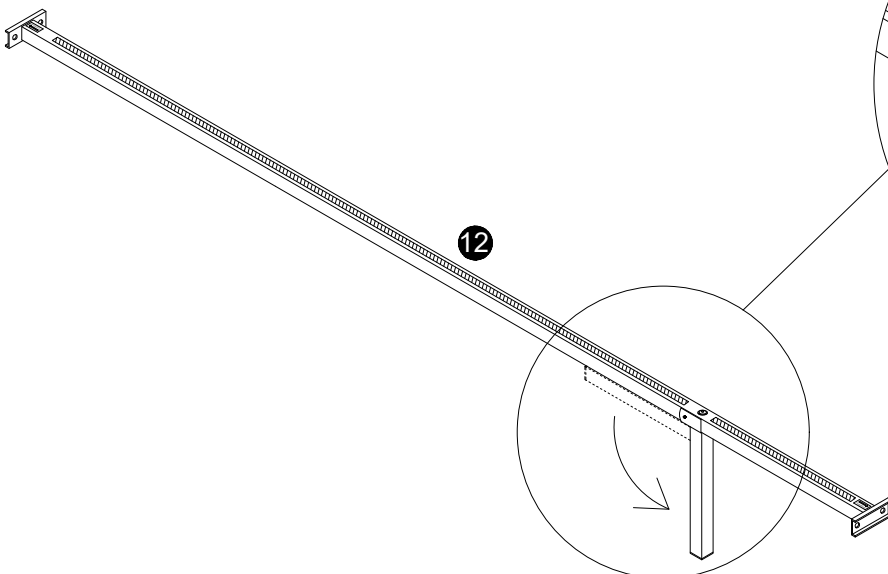
8



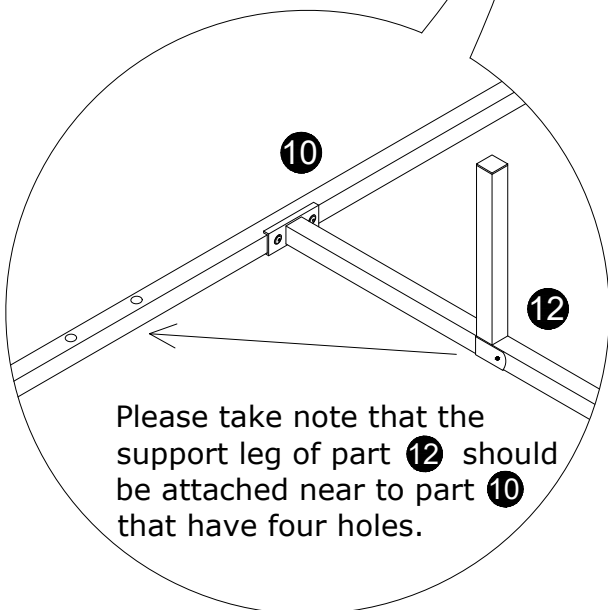
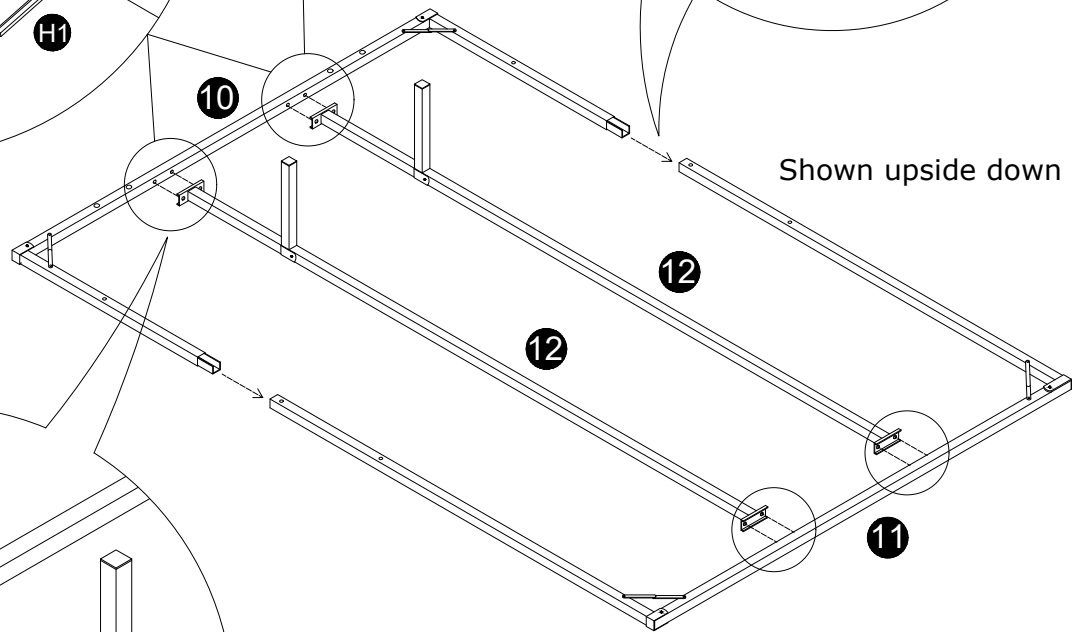
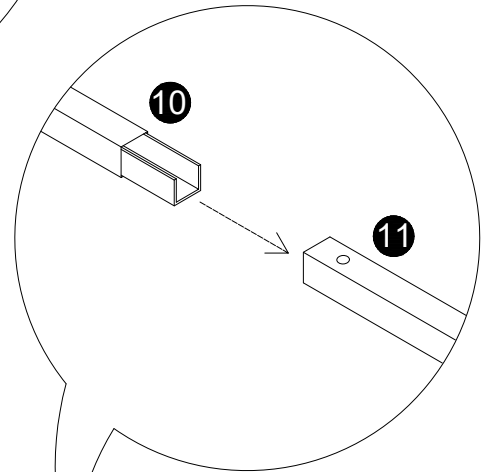
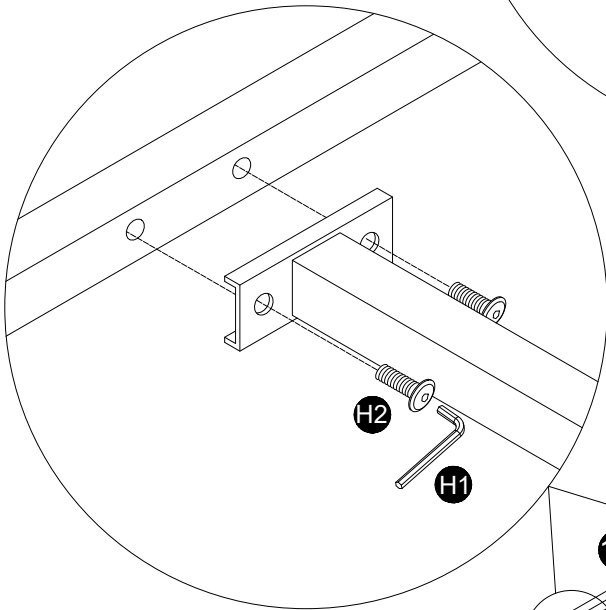
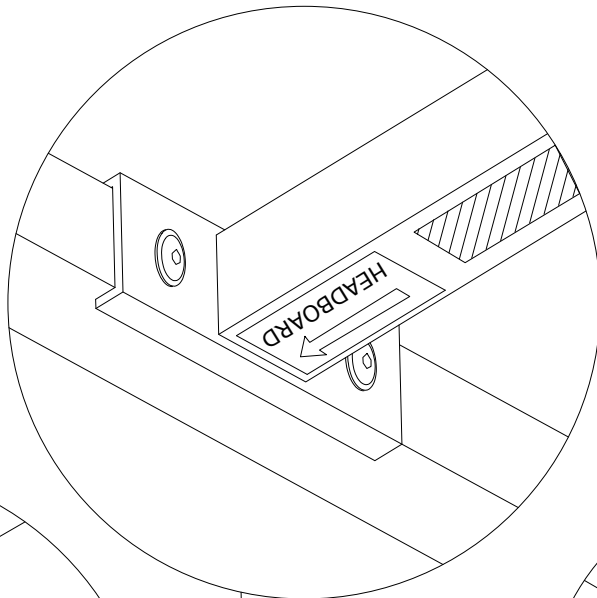
9



10

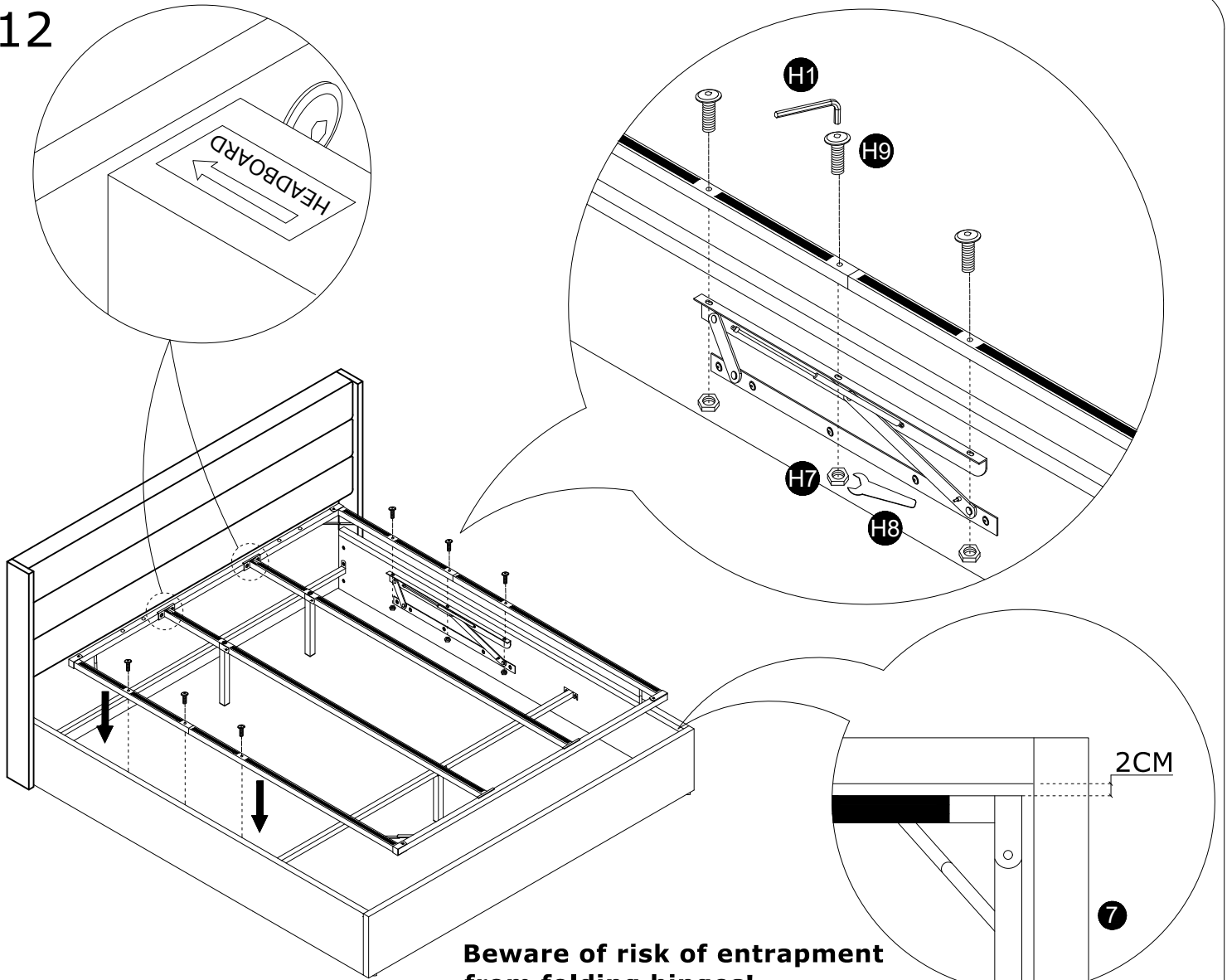


11



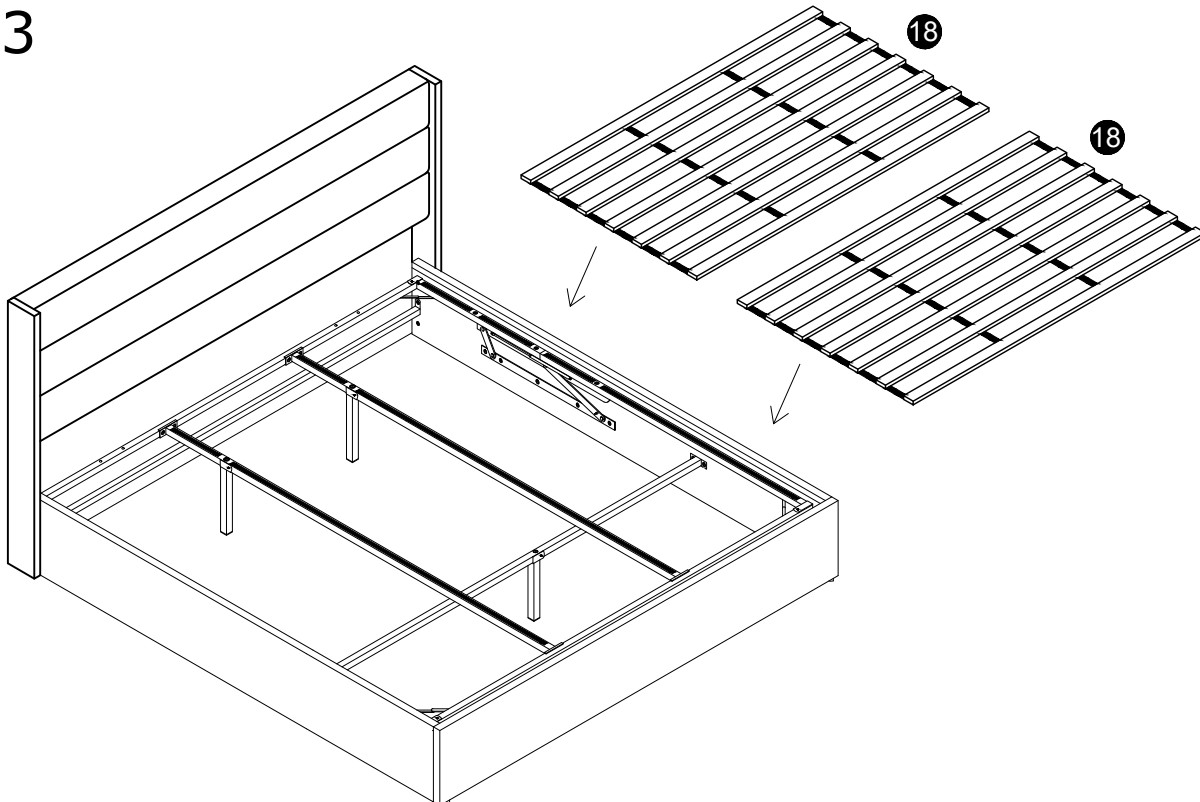
Please take note that the support leg of part 12 should be attached near to part 10 that have four holes.

12

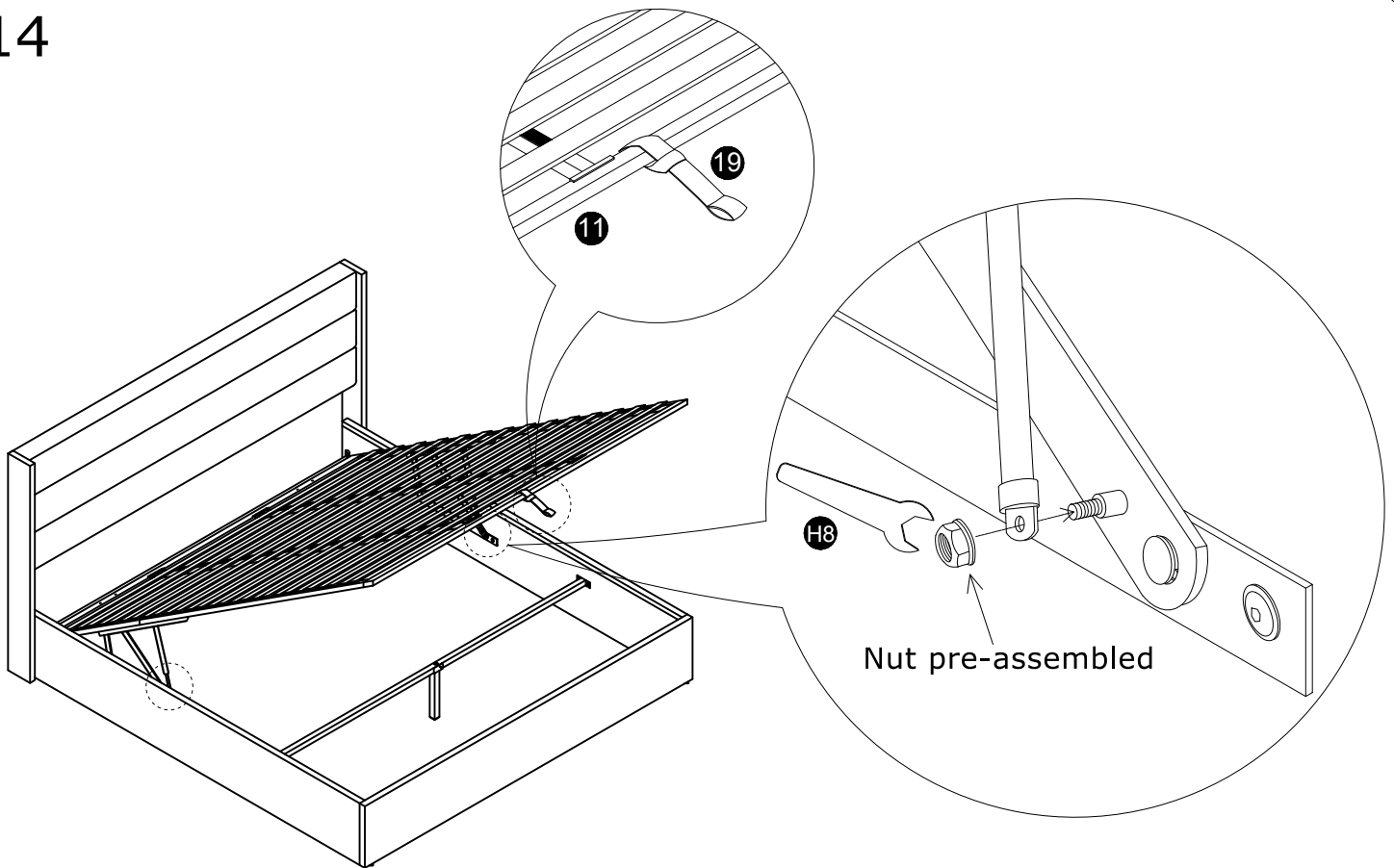


**Beware of risk of entrapment from folding hinges!**

13

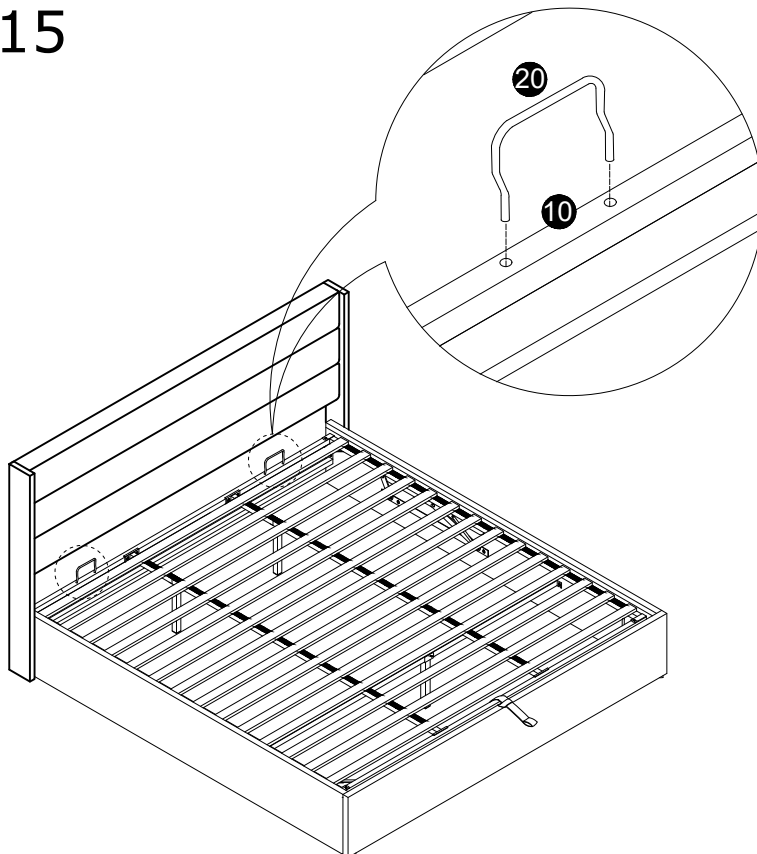



14



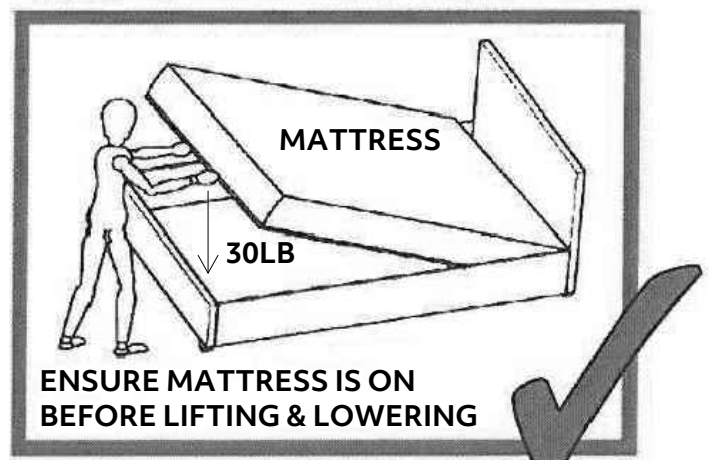
**Important:** Two people required.  
Frame to be fully supported at all times!

15



 Only lift when the mattress is in place.  
Place mattress & Carefully lower frame down.  
Keep objects/body part & children away from moving parts.

**After placing the mattress on frame,  
push down the frame with 30lbs force.**



**Job Complete !**

*In the interest of our environment please dispose of all packaging thoughtfully.*