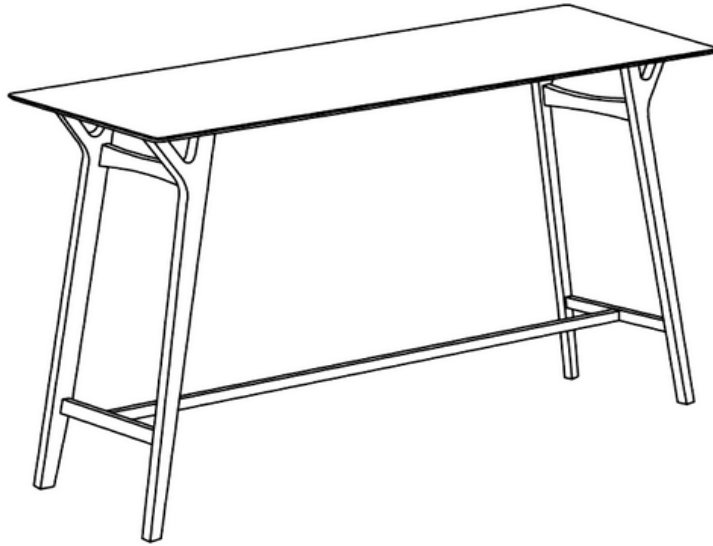



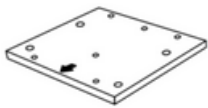
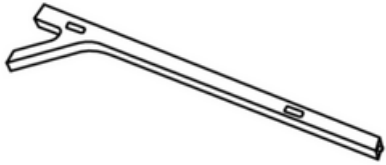
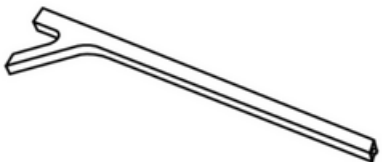
Assembly Instructions



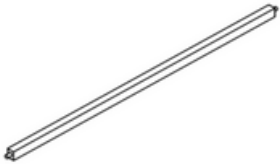
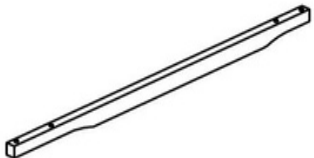
Caution : You must read this before you proceed

CONSOLE TABLE

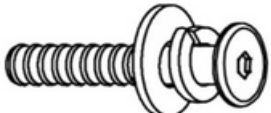

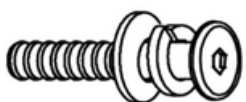



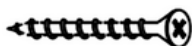




Part List

| Label | Picture | Description | QTY |
|-------|---|---------------------|-----|
| A |  | Table Top | 1 |
| B |  | Top Support | 2 |
| C |  | Table Leg Right (C) | 2 |
| D |  | Table Leg Left (D) | 2 |

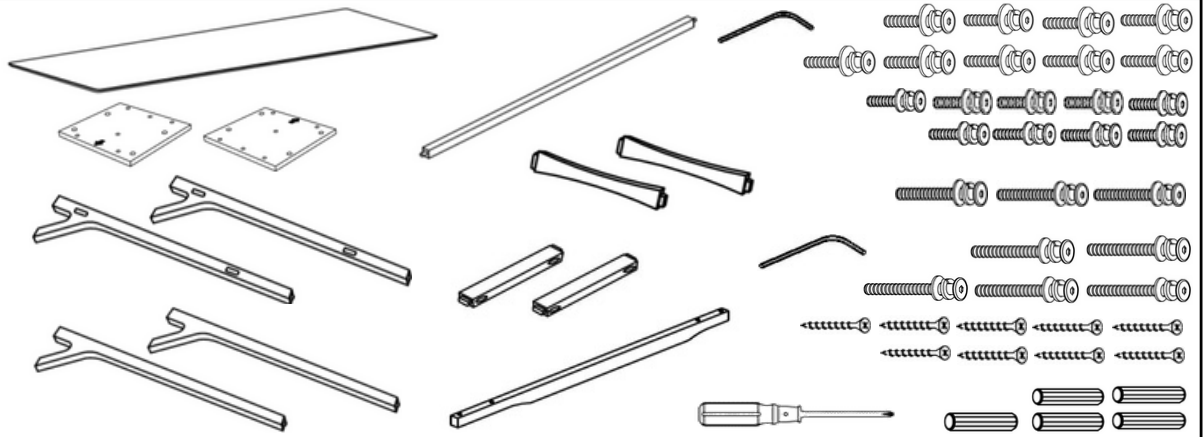
| | | | |
|---|---|------------------|---|
| E |  | Top Stretcher | 2 |
| F |  | H Rail | 2 |
| G |  | Cross Rail | 1 |
| H |  | Top Support Rail | 1 |

Hardware

| Label | Picture | Description | QTY |
|-------|---|---|-----|
| ① |  | JCBB M8 x 30mm + S/W 5/16" + F/W 5/16" x 22mm | 9 |
| ② |  | Allen Wrench M5 | 1 |
| ③ |  | JCBC M6 x 35mm + S/W M6 + F/W M6 x 19mm | 9 |
| ④ |  | JCBC M6 x 40mm + S/W M6 + F/W M6 x 13mm | 3 |
| ⑤ |  | JCBC M6 x 60mm + S/W M6 + F/W M6 x 13mm | 5 |
| ⑥ |  | Allen Wrench M4 | 1 |
| ⑦ |  | FH Screw #8 x 38mm | 9 |
| ⑧ |  | Wood Dowel M8 x 25mm | 5 |
| ⑨ |  | Screwdriver(Not Provided) | 1 |

Assembly Preparation

Before Beginning Assembly:



- Read instructions, cover to cover-



- Have 2 adults on hand for assembly-



- Do not assemble on flooring or carpet-



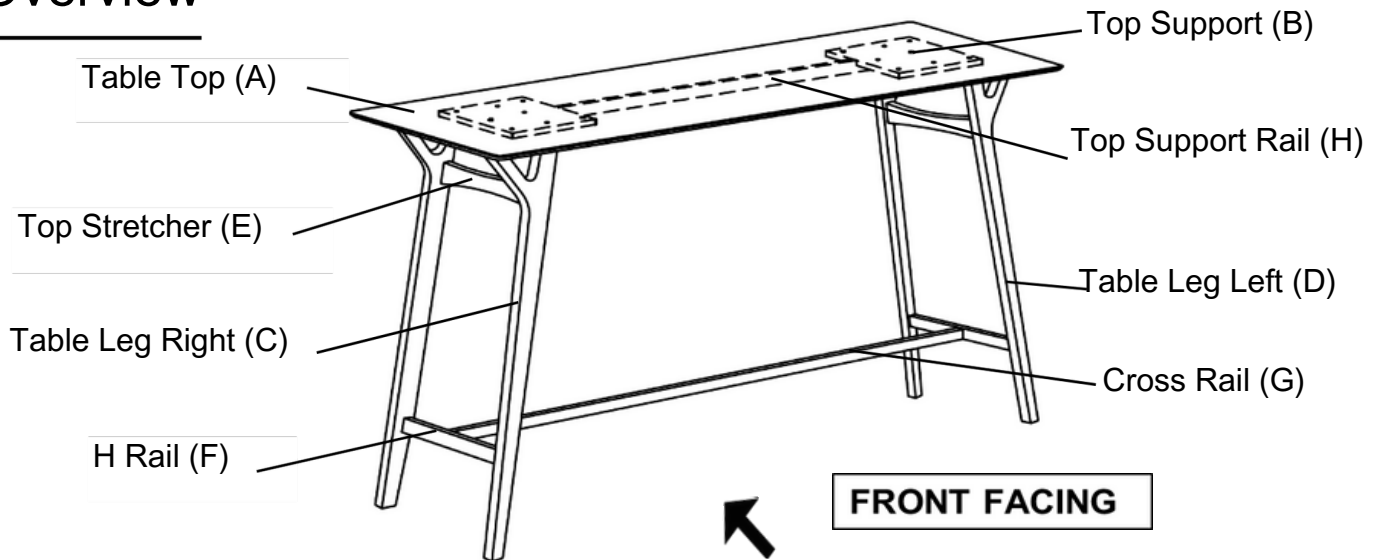
- Assemble on a clean non-marring surface (packing foam)-



- Save all packaging until finished-

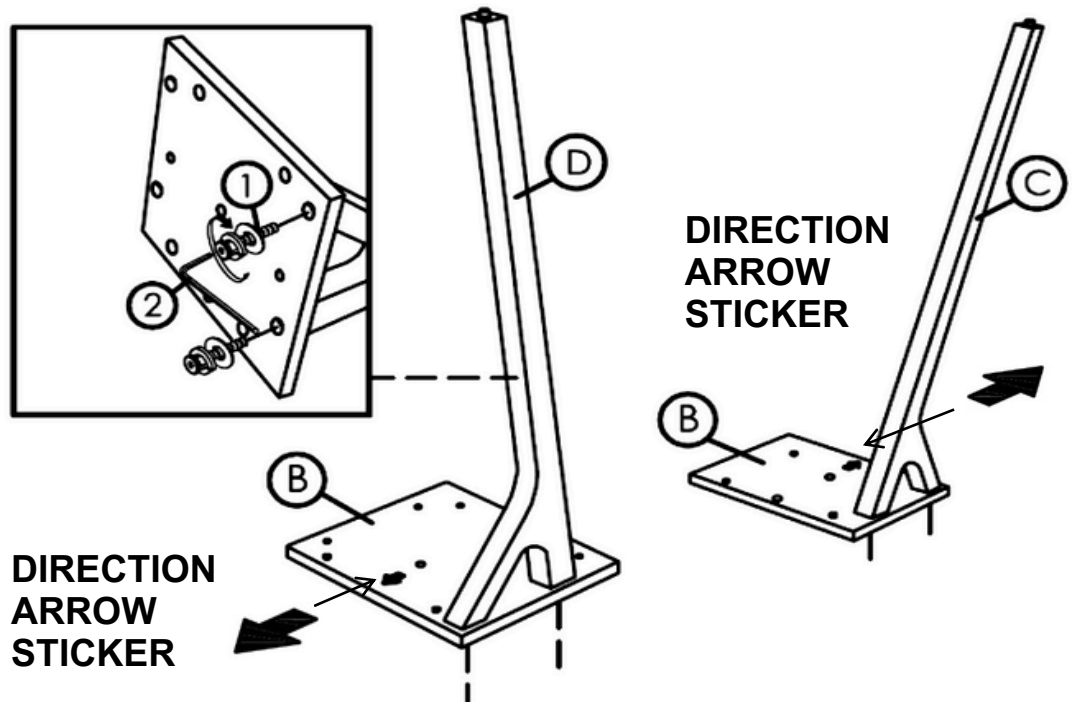
Assembly Steps

Overview



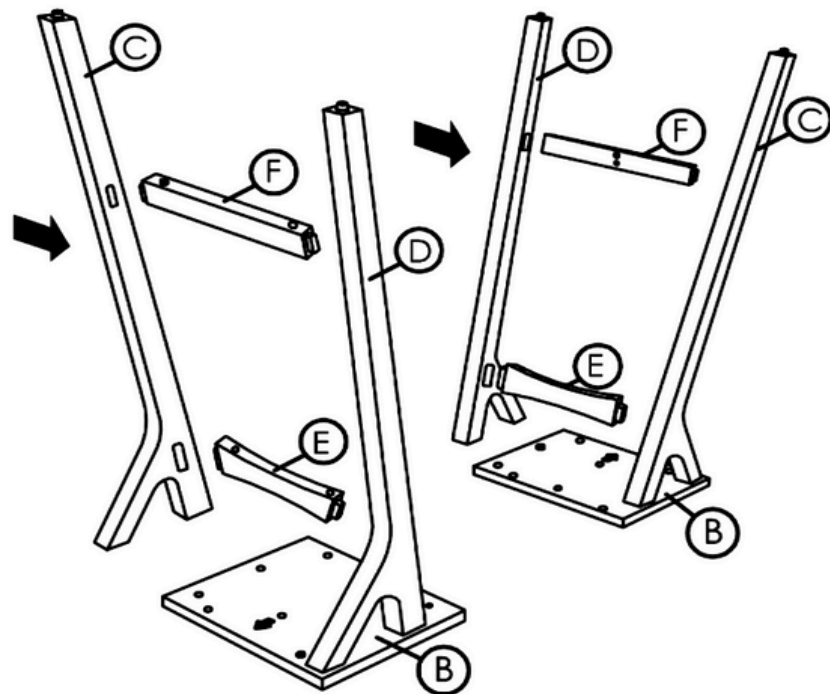
This Console Table has multiple parts and may require up to some 30 minutes to assemble. To give you an overview of the Console Table parts, the above picture is to help you put the various parts into perspective. Please read through the instructions below to familiarise yourself with the parts and steps before assembly.

Step 1



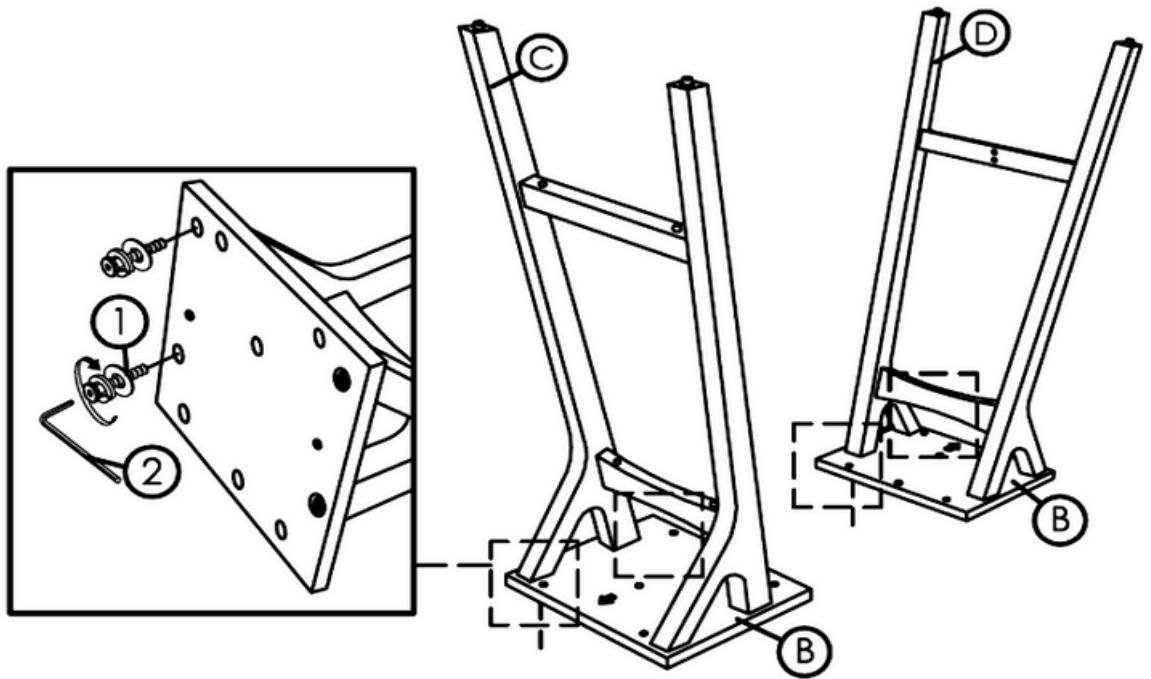
Place the Top Support (B) on a surface and slot in the Table Leg Left (D) onto the Top Support (B) as shown. Make sure the Top Support is at the right position by the marking arrow sticker. Affix the Table Leg Left (D) with JCBB Bolts ① + Spring Washers + Flat Washers using the Allen Wrench ②. Repeat step for the Table Leg Right (C) as shown.

Step 2



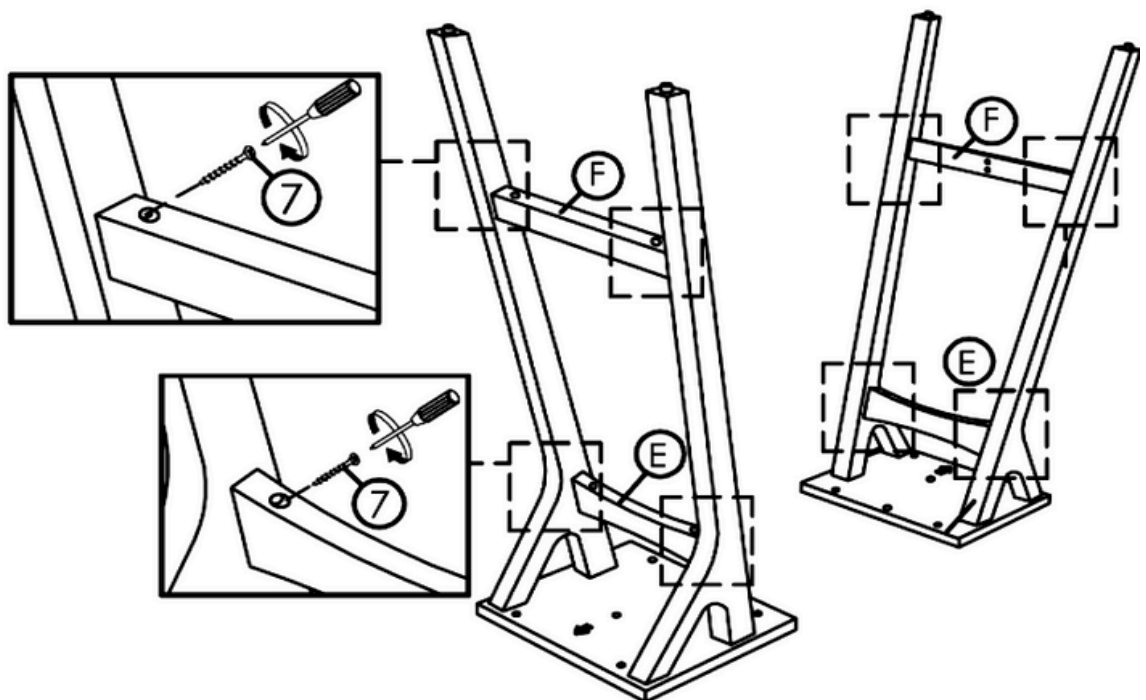
Slot in the Top Stretcher (E) and H Rail (F) onto the Table Leg Left (D) as shown. Then, attach the Table Leg Right (C) into the tenon at the Top Stretcher (E) and H Rail (F) as shown. Repeat the same step for the Table Legs (C) and (D).

Step 3



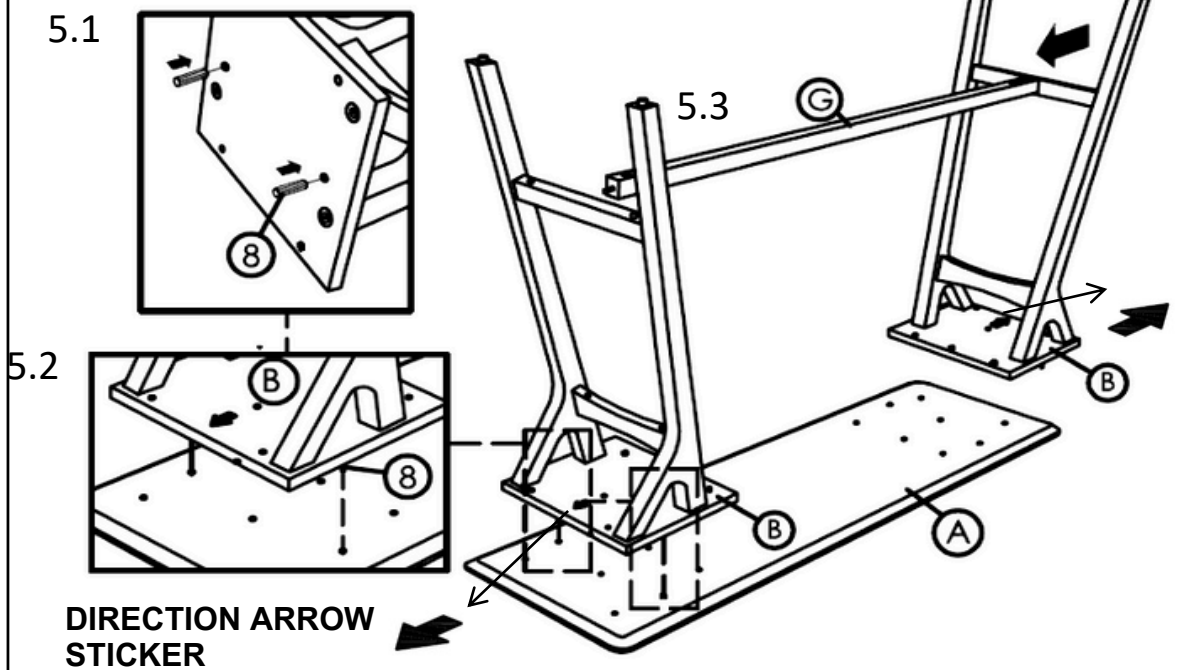
Affix the Table Leg Right (C) with JCBB Bolts ① + Spring Washers + Flat Washers into the Top Support (B) and tighten it by using the Allen Wrench ②. Repeat the step for the Table Leg Left (D).

Step 4



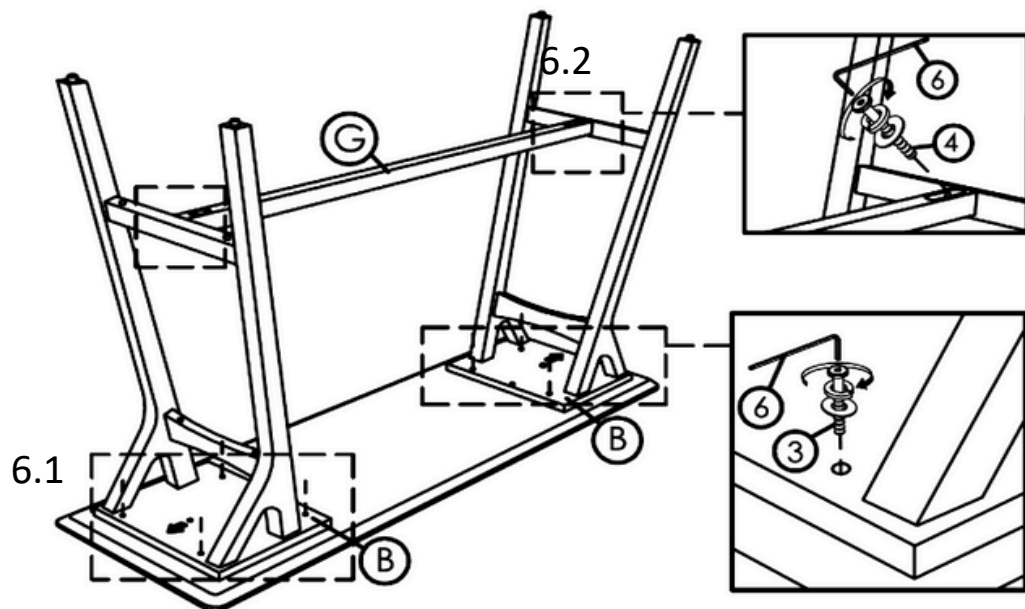
Affix both Top Stretchers (E) and both H Rails (F) with FH Screws ⑦ onto both the Table Leg Right (C) and Table Leg Left (D) and tighten them by using a Screwdriver (Not Provided).

Step 5



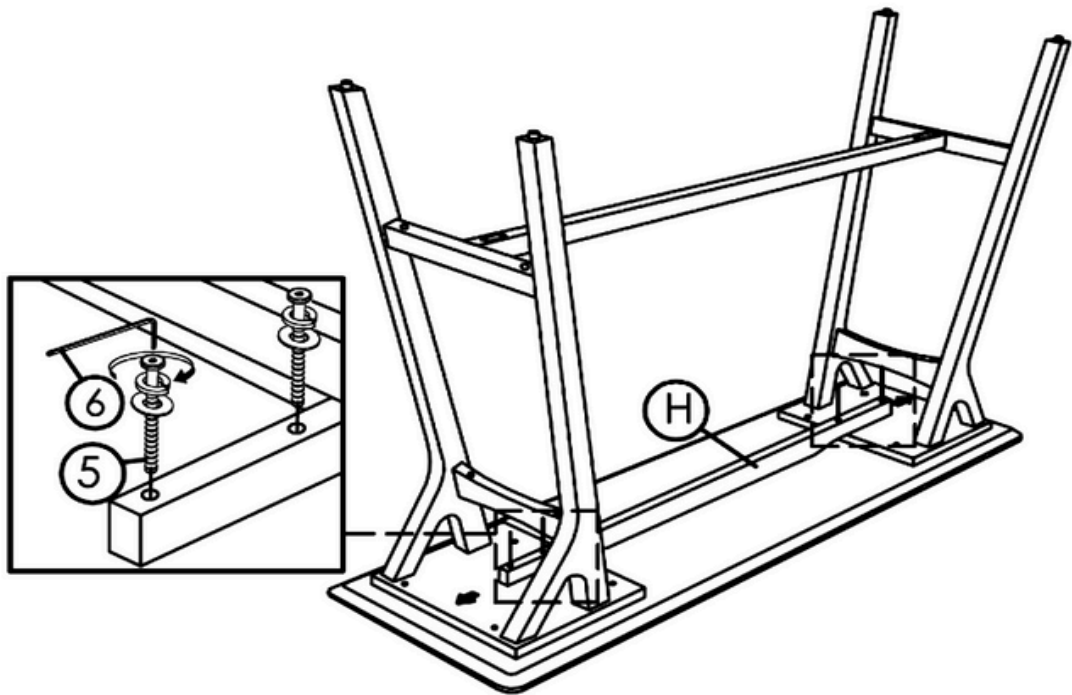
Place the Table Top (A) on a soft surface to avoid any scratches or damages to the product. 5.1 Slot in the Wood Dowel (8) into the Top Support (B) as shown. 5.2 Attach the Top Support (B) into the designated hole at the Table Top (A). 5.3 Slot in the Cross Rail (G) into the Table Leg as shown. Repeat step 5.1, 5.2 and 5.3 with another leg as shown.

Step 6



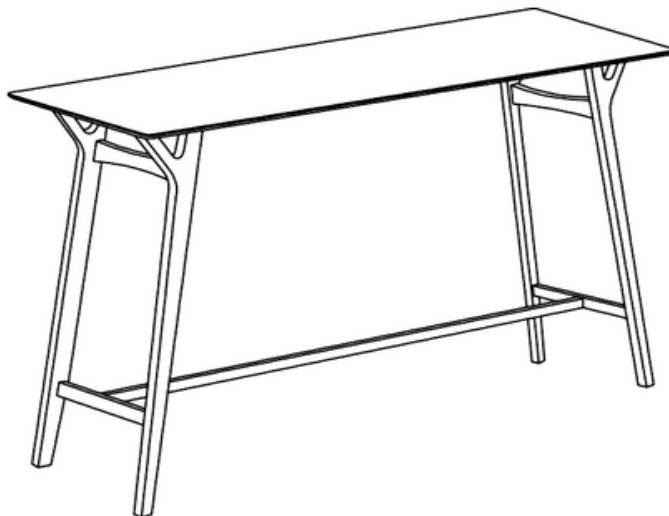
6.1 Affix the JCBC Bolts (3) + Spring Washers + Flat Washers onto the Top Support (B) and tighten by using the Allen Wrench (6). 6.2 Affix the Cross Rail (G) with the JCBC Bolts (4) + Spring Washers + Flat Washers and tighten by using the Allen Wrench (6). **DO NOT FULLY TIGHTEN THE BOLTS.**

Step 7



Place the Top Support Rail (H) on the center table top as shown and affix it with the JCBC Bolts ⑤ + Spring Washers + Flat Washers and tighten by using the Allen Wrench ⑥. **DO NOT FULLY TIGHTEN THE BOLTS.**

Step 8



With assistance from your adult partner, stand the table up. If the table wobbles, loosen and tighten the screws and bolts, and use your hand to press down on the top of the table, to ensure evenness, and then fully tighten the bolts sequentially.

FULLY TIGHTEN THE BOLTS.

Your Console Table is now ready for use.

This Console Table can only be used on a flat, level surface.

Care & Maintenance



- Furniture may scratch floors. We recommend using furniture pads to protect your floors.



- Do not put hot items directly on furniture surface.



- Do not clean furniture with harsh cleansers or polish.



- Do not place furniture under direct sunlight.



- Do not place furniture near heating or cooling vents.



- Do not write on furniture without a padded barrier to protect the surface.



- Do not place furniture outside . For indoor use only.



- Not for commercial use. For residential use only.



- Stains may be removed with mild soap solution and damp cloth.



- Children should not climb or jump on the furniture.



- Dust and pick-up spills using a clean, non-colored, lint-free cloth.